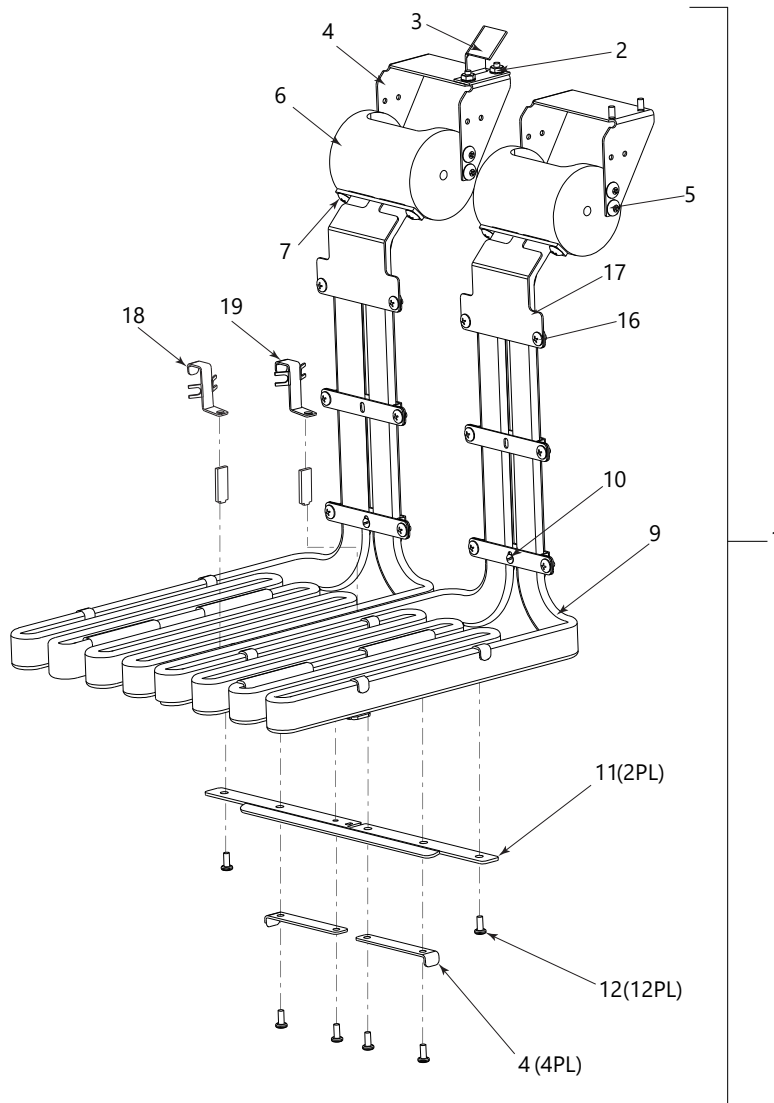




For the most up-to-date parts information, visit  
<https://parts.hennypennyhelp.com>.

## Element Assemblies

### Full Element Assembly



Item No.	Part No.	Description	Qty.	Stocking Level
1		Full vat element assembly		



For the most up-to-date parts information, visit  
<https://parts.hennypennyhelp.com>.

Item No.	Part No.	Description	Qty.	Stocking Level
2	<a href="#">-NS02-007</a>	Hex nut, 8-32	2/assembly	
3	-159810	Reset switch rear bracket	1/assembly	
4	-159812	High limit bracket stud assembly	2/assembly	
5	<a href="#">-SC01-209</a>	Screw, 10-32 X 3/8, CT, SS	10/assembly	
6	<a href="#">-158843</a>	Pivot element housing	2/assembly	
7	<a href="#">-SC01-074</a>	Screw, 10-32 X 1/2, CT, SS	4/assembly	
8	-159550	High limit bracket weld assembly	2/assembly	
9	<a href="#">-86731-001</a>	Heating element, 8.5KW, 208VAC	2/assembly	B
9	<a href="#">-86731-002</a>	Heating element, 8.5KW, 220VAC	2/assembly	B
9	<a href="#">-86731-003</a>	Heating element, 8.5KW, 230VAC	2/assembly	B
9	<a href="#">-86731-004</a>	Heating element, 8.5KW, 240VAC	2/assembly	B
10	-SC01-312	Slot screw, 4-40 X 3/8, SS	2/assembly	
11	<a href="#">-78494</a>	Full vat element spreader weld assembly	2/assembly	
12	<a href="#">-SC04-003</a>	Cutter screw, 8-32 X 3/8, CT	12/assembly	
13	<a href="#">-85736</a>	Spreader strap	2/assembly	
14	<a href="#">-85735</a>	Spreader strap, right	4/assembly	
15	-158919	High limit bottom clamp	4/assembly	
16	<a href="#">-SC01-076</a>	Screw, 8-32 X 1/4, CT, SS	12/assembly	
17	-158372	High limit probe clamp	2/assembly	
18	<a href="#">78614</a>	Full vat high limit front guard	1/assembly	



For the most up-to-date parts information, visit  
<https://parts.hennypennyhelp.com>.

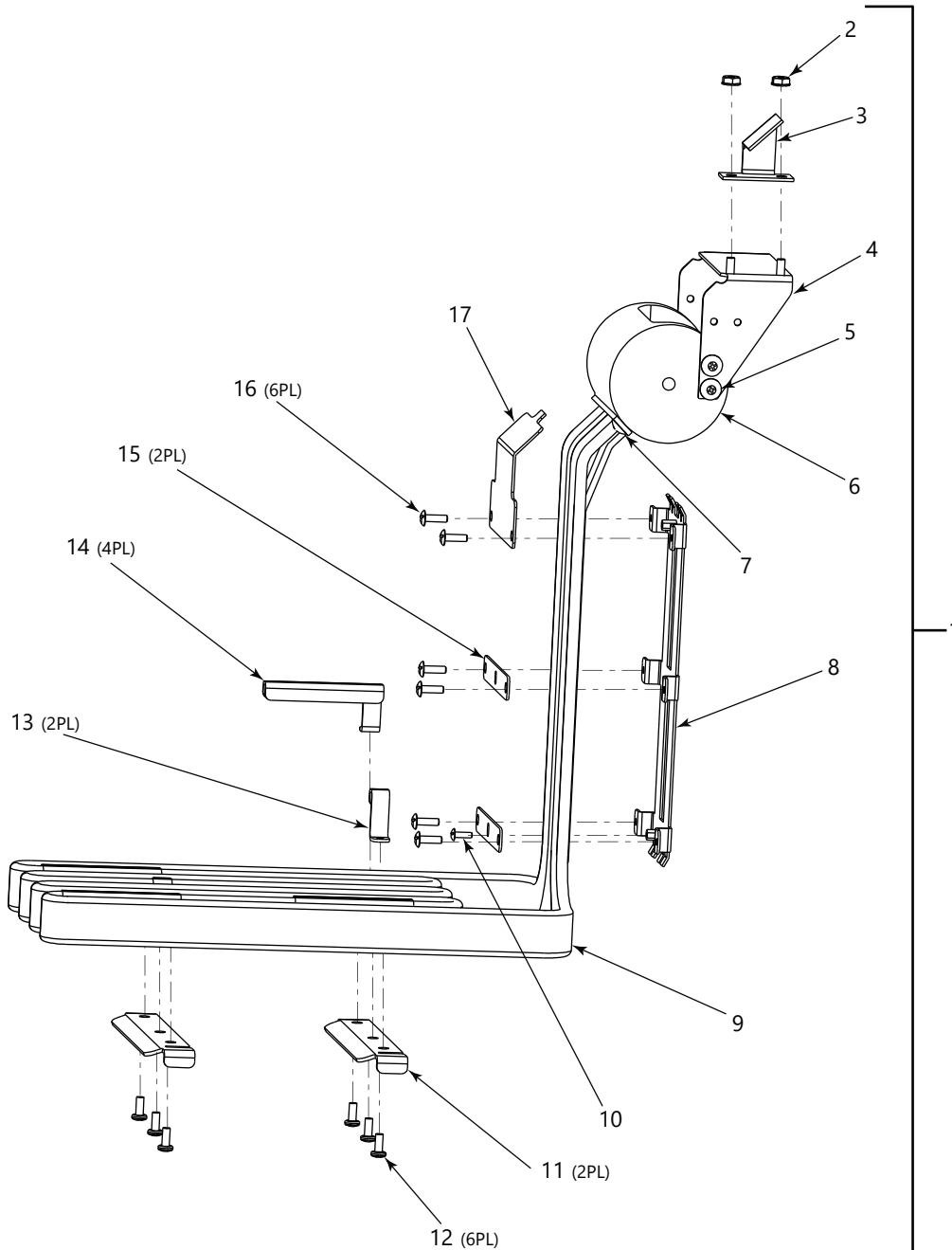
Item No.	Part No.	Description	Qty.	Stocking Level
19	<a href="#">78615</a>	Full vat high limit rear guard	1/assembly	
20	<a href="#">78503</a>	Full element foot	4/assembly	
21*	<a href="#">140465</a>	EPP replacement kit	1	

Recommended Parts: A = Truck Stock; B = Dist. Stock  
A/R = As Required



For the most up-to-date parts information, visit  
<https://parts.hennypennyhelp.com>.

## Split Element Assembly





For the most up-to-date parts information, visit  
<https://parts.hennypennyhelp.com>.

Item No.	Part No.	Description	Qty.	Stocking Level
1		Split vat element assembly		
2	<a href="#">-NS02-007</a>	Hex nut, 8-32	2/assembly	
3	-159810	Reset switch rear bracket	1/assembly	
4	-159812	High limit bracket stud assembly	1/assembly	
5	<a href="#">-SC01-209</a>	Screw, 10-32 X 3/8, CT, SS	5/assembly	
6	-158843	Pivot element housing	1/assembly	
7	<a href="#">-SC01-074</a>	Screw, 10-32 X 1/2, CT, SS	2/assembly	
8	-159550	High limit bracket weld assembly	1/assembly	
9	<a href="#">-86731-001</a>	Heating element, 8.5KW, 208VAC	1/assembly	B
9	<a href="#">-86731-002</a>	Heating element, 8.5KW, 220VAC	1/assembly	B
9	<a href="#">-86731-003</a>	Heating element, 8.5KW, 230VAC	1/assembly	B
9	<a href="#">-86731-004</a>	Heating element, 8.5KW, 240VAC	1/assembly	B
10	-SC01-312	Slot screw, 4-40 X 3/8, SS	1/assembly	
11	<a href="#">-84312</a>	Split vat element spreader weld assembly	2/assembly	
12	<a href="#">-SC04-003</a>	Cutter screw, 8-32 X 3/8, CT	6/assembly	
13	<a href="#">-51065</a>	Spreader strap	2/assembly	
14	<a href="#">-85735</a>	Spreader strap, right	4/assembly	
15	-158919	High limit bottom clamp	2/assembly	
16	<a href="#">-SC01-076</a>	Screw, 8-32 X 1/4, CT, SS	6/assembly	
17	-158372	High limit probe clamp	1/assembly	



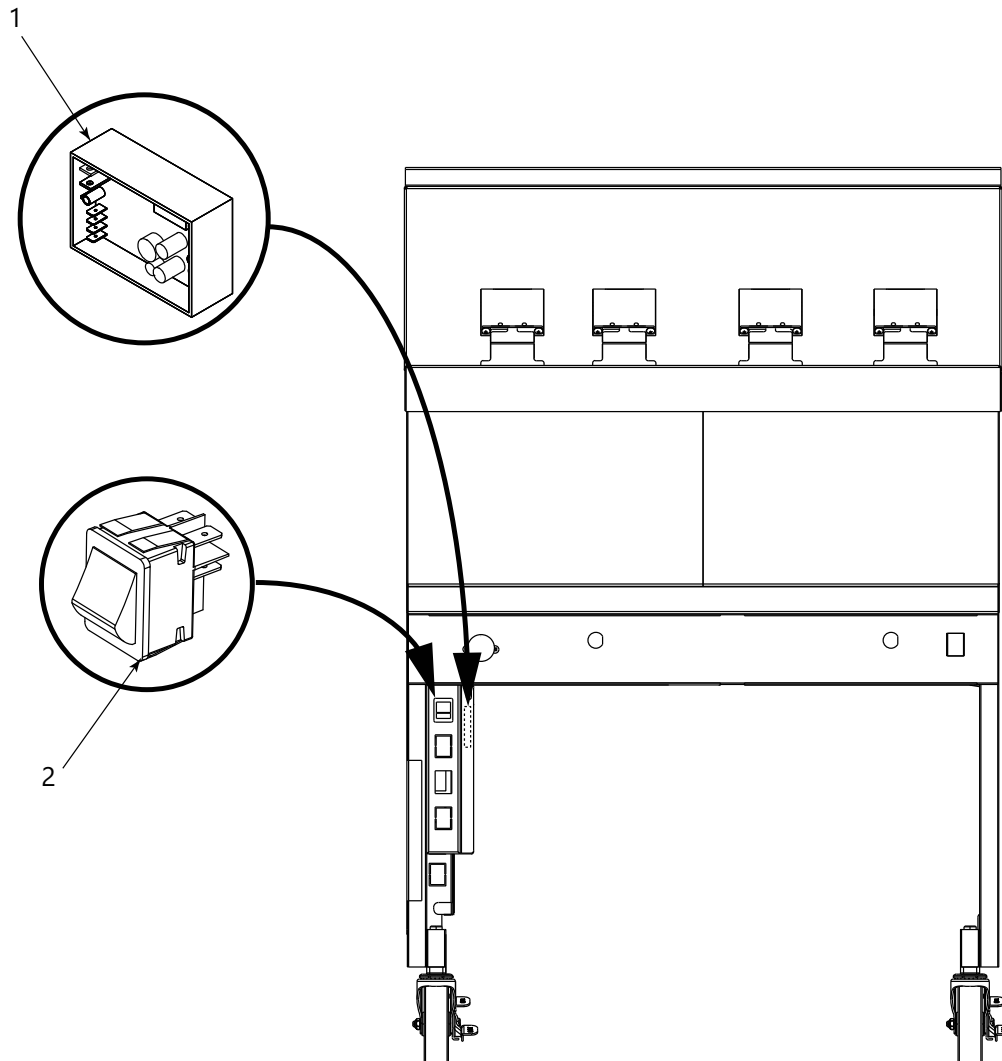
For the most up-to-date parts information, visit  
<https://parts.hennypennyhelp.com>.

Item No.	Part No.	Description	Qty.	Stocking Level
18*	<a href="#">140465</a>	EPP replacement kit	1	
<b>Recommended Parts: A = Truck Stock; B = Dist. Stock</b> <b>A/R = As Required</b>				



For the most up-to-date parts information, visit  
<https://parts.hennypennyhelp.com>.

## High Limit Assembly



NOTE: Front of fryer shown. Doors and components removed for clarity.

Item No.	Part No.	Description	Qty.	Stocking Level
1	175915-002	Service Pack- Single high-limit control, 230 VAC, 575 °F - Gen 1, Yellow Sticker, UL (Before 12/2020)	2/full, 1/split	A



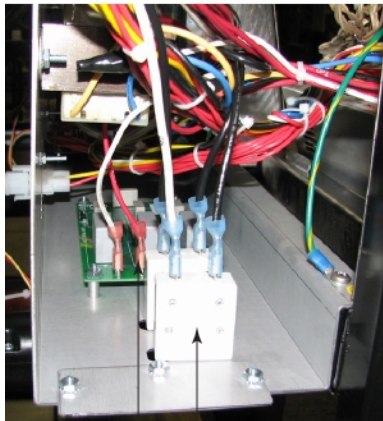
For the most up-to-date parts information, visit  
<https://parts.hennypennyhelp.com>.

Item No.	Part No.	Description	Qty.	Stocking Level
1	<a href="#">175915-006</a>	Service Pack – Dual high limit control, 100-240 VAC, 575°F - Gen 1, Green Sticker (After 12/2020) - Gen 2, Black Circle (After 08/2022) Note: Dates are production implementation dates. Gen 2 is newest design. - Gen 2 can replace a Gen 1 - Gen 1 cannot replace a Gen 2	2/full, 1/split	A
2	<a href="#">157360</a>	High limit reset switch	1/vat	A
3*	<a href="#">140464</a>	High limit thermocouple kit	2/full, 1/split	A
<b>Recommended Parts: A = Truck Stock; B = Dist. Stock                      A/R = As Required</b>				

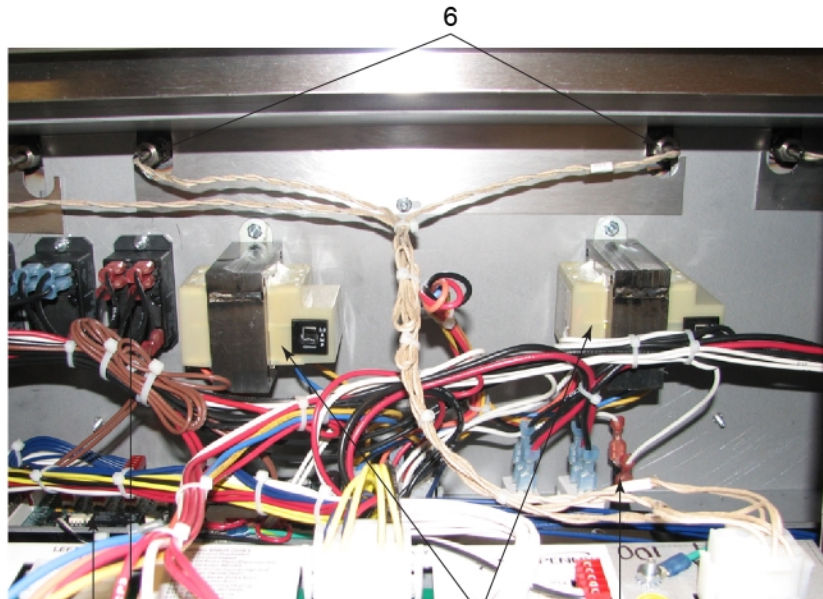


For the most up-to-date parts information, visit <https://parts.hennypennyhelp.com>.

## Electrical Components



8 7



1 2 3 4 6

Item No.	Part No.	Description	Qty.	Stocking Level
1	<a href="#">85698</a>	Common AIF PC board	1	A
2	<a href="#">ME90-008</a>	Pump motor relay, 30 amp, 12 VDC	A/R	A
3	<a href="#">86087</a>	Transformer, 240/24 VAC, 24" wire length	1/vat	A
4	<a href="#">EF02-104</a>	Fuse holder, 20 amp, 250VAC	1	A
5 *	<a href="#">FA52-005</a>	Fuse, .5 amp, 208/240VAC (BK0911009 and after)	1	A
6	<a href="#">14974</a>	Level sensor probe, 2.5 inch (SN: April 2016 and before)	2/vat	A



For the most up-to-date parts information, visit  
<https://parts.hennypennyhelp.com>.

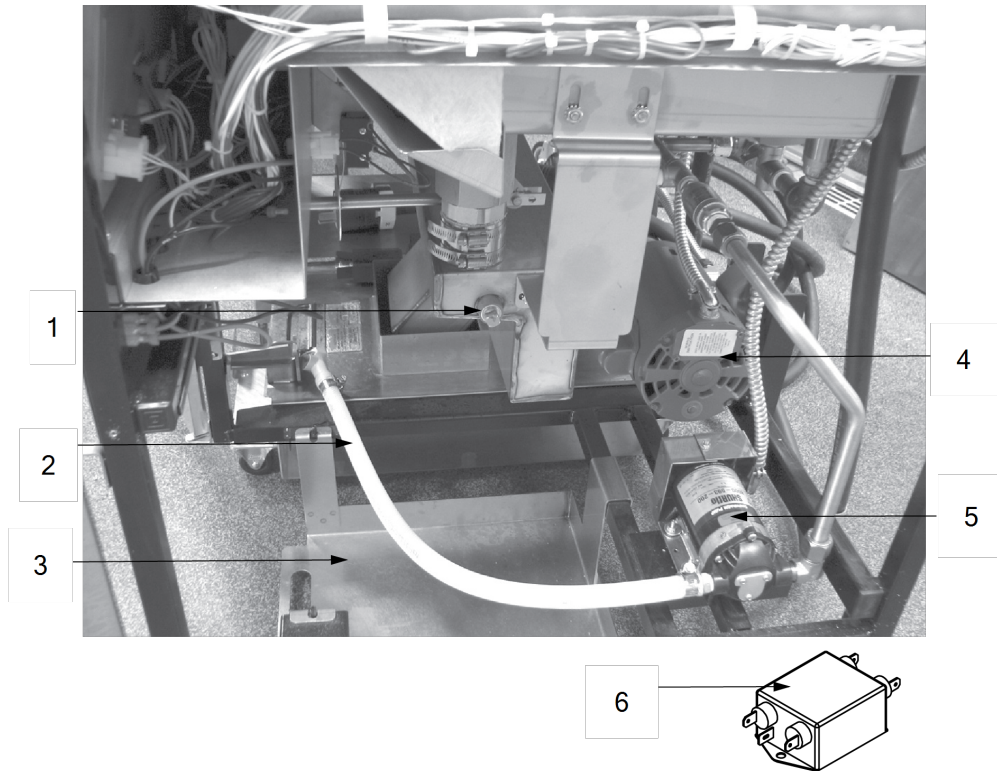
Item No.	Part No.	Description	Qty.	Stocking Level
6	<a href="#">140098</a>	Level sensor probe kit, (SN: April 2016 and after)	2/vat	A
7	<a href="#">EF02-125</a>	Push button reset breaker, 15 amp	A/R	A
8	<a href="#">51065</a>	EMC filter PCB, CE	1	B
9*	<a href="#">TS22-012</a>	AIF/auto lift transformer	1/vat	A

Recommended Parts: A = Truck Stock; B = Dist. Stock  
 \* = Not Shown  
 A/R = As Required  
 1 = Only wells with the express filter PC board behind the control panel with 2 transformers



For the most up-to-date parts information, visit  
<https://parts.hennypennyhelp.com>.

## Right Panel Removed



Item No.	Part No.	Description	Qty.	Stocking Level
1	<a href="#">FP01-099</a>	Pipe plug, 3/8 NPT, SS	1	
2	<a href="#">81513</a>	Hose assembly	1	B
2*	-FP05-016	-Quick disconnect, female, 1/2 in.	1	A
2*	-MS01-297	-Hose clamp, SS	2	
2*	-FP01-228	-Barbed fitting, 1/2 in. hose, 3/8 NPT, nylon	1	
3	<a href="#">85966</a>	JIB shelf weld assembly	1	
4		See <a href="#">Filter pump and motor assembly</a>	1	



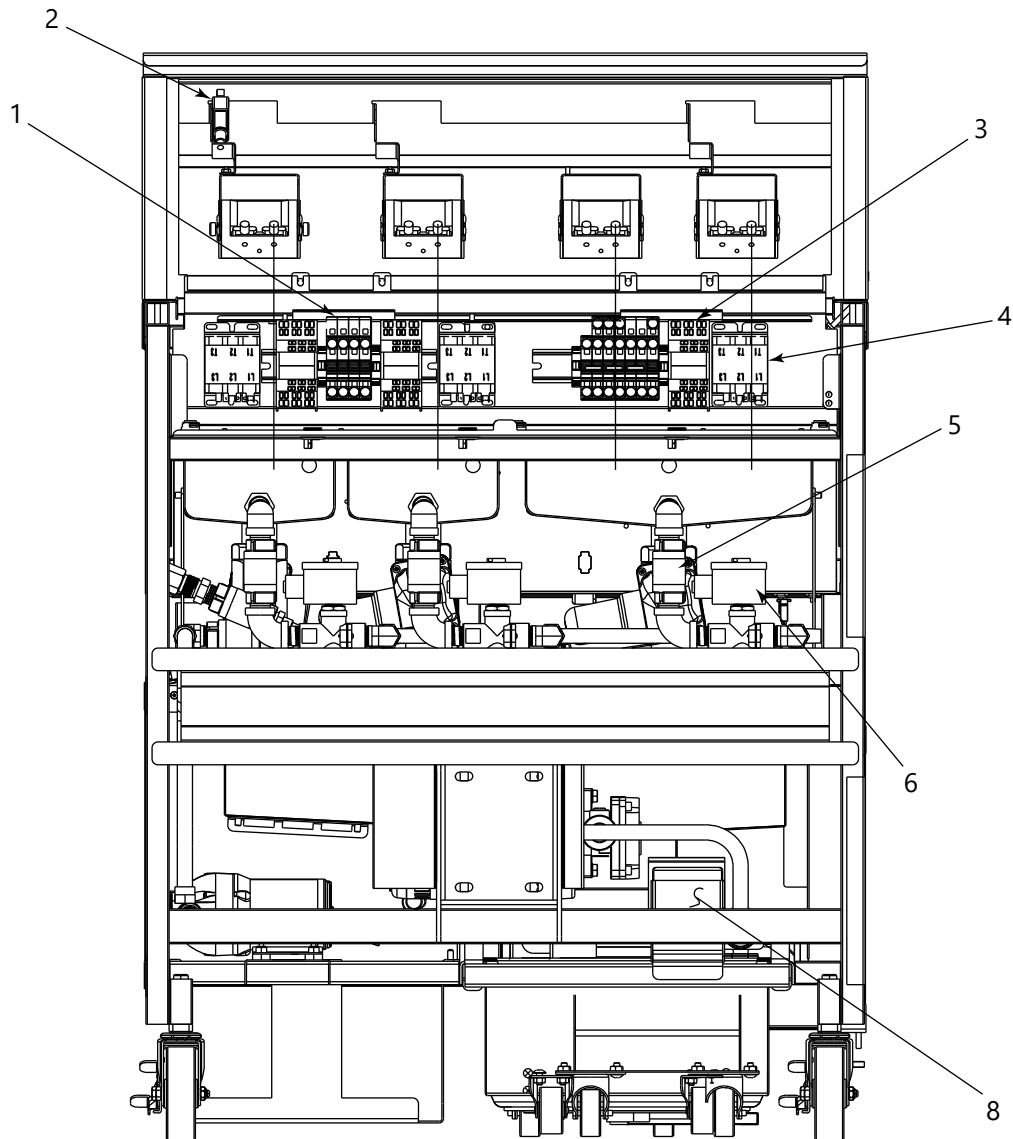
For the most up-to-date parts information, visit  
<https://parts.hennypennyhelp.com>.

Item No.	Part No.	Description	Qty.	Stocking Level
5	<a href="#">97600</a>	JIB pump retrofit service pack, 208-240 VAC (before 5/2015)	1	
5	<a href="#">153417-002</a>	- JIB pump, 208-240 VAC (after 5/2015)	1	A
6	<a href="#">80728</a>	EMI filter, CE	1	B
<b>Recommended Parts: A = Truck Stock; B = Dist. Stock</b> <b>* = Not Shown</b>				



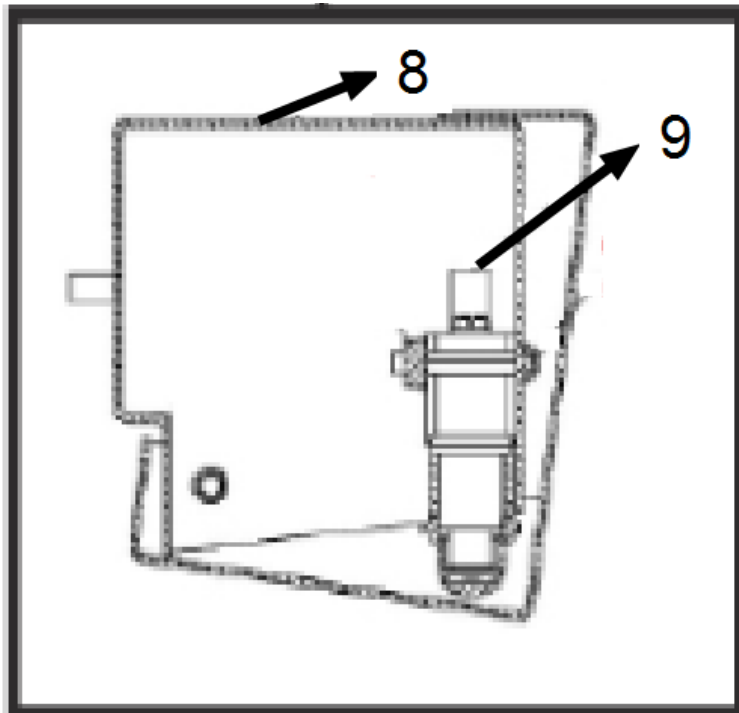
For the most up-to-date parts information, visit  
<https://parts.hennypennyhelp.com>.

## Rear View





For the most up-to-date parts information, visit  
<https://parts.hennypennyhelp.com>.



Item No.	Part No.	Description	Qty.	Stocking Level
1	<a href="#">78706</a>	Terminal block assembly	A/R	B
2	<a href="#">18227</a>	Element lift switch	A/R	A
3	<a href="#">78753</a>	Heat contactor, 24 VAC	A/R	A
4	<a href="#">29509</a>	Safety contactor, 24 VAC	A/R	A
5	<a href="#">74469</a>	Check valve, 1/2	A/R	A
6	<a href="#">154048</a>	Solenoid valve, 1/2 NPT, 220-240 VAC	A/R	A
7*	<a href="#">140769</a>	Solenoid repair kit	A/R	
8	<a href="#">80153</a>	Switch housing w/ drain switch assembly	1	
9	<a href="#">-80148</a>	-Drain switch w/ boot assembly	1	A
10	<a href="#">-SC01-058</a>	-#6-32 x 1 in, PH, PHD	2	



For the most up-to-date parts information, visit  
<https://parts.hennypennyhelp.com>.

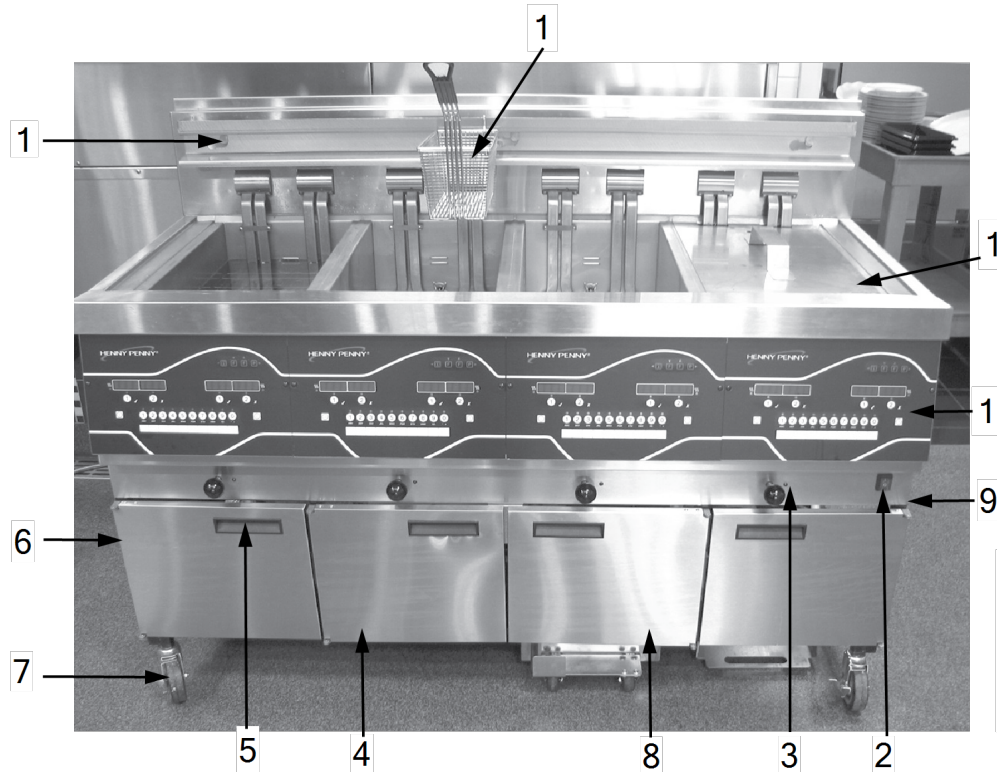
Item No.	Part No.	Description	Qty.	Stocking Level
11	<a href="#">-NS02-005</a>	-#6-32, hex keps nut	2	

Recommended Parts: A = Truck Stock; B = Dist. Stock  
 \* = Not Shown  
 A/R = As Required



For the most up-to-date parts information, visit <https://parts.hennypennyhelp.com>.

## Front View



Item No.	Part No.	Description	Qty.	Stocking Level
1a	<a href="#">77842</a>	Basket hanger, 2 vats	1	
1a	<a href="#">77709</a>	Basket hanger, 3 vats	1	
2	<a href="#">52224</a>	Power switch	1	A
3	<a href="#">81980</a>	Filter beacon blue LED	1/vat	B
4		<a href="#">See Door Assembly</a>		
5	<a href="#">41836</a>	- Door handle	1	
6	<a href="#">74460</a>	Left side panel	1	



For the most up-to-date parts information, visit  
<https://parts.hennypennyhelp.com>.

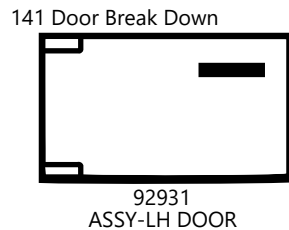
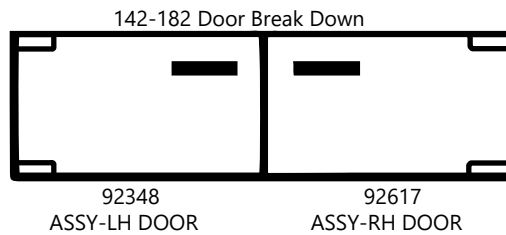
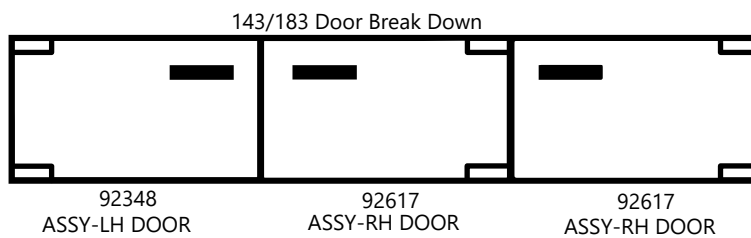
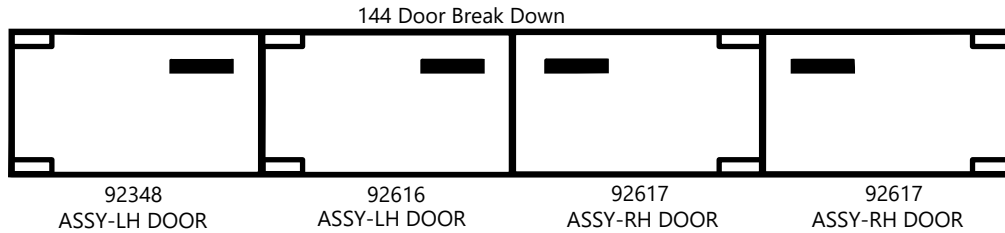
Item No.	Part No.	Description	Qty.	Stocking Level
7	<a href="#">77575</a>	Caster with brake, 4 inch	2	C
7*	<a href="#">77679</a>	Caster, 4 inch	2	C
7*	<a href="#">54225</a>	Leg insert	4	
8		<a href="#">See Door Assembly</a>		
9	<a href="#">74461</a>	Right side panel	1	
10		<a href="#">See Control Assembly</a>		
11	<a href="#">03623</a>	Cover assembly, Split vat	1/vat	
11	<a href="#">03624</a>	Cover assembly, Full vat	1/vat	
12	<a href="#">81915</a>	Half basket, red handle	A/R	
12	<a href="#">86907</a>	Half basket, divided	A/R	
12	<a href="#">85136</a>	Full size basket, red handle, front support	A/R	
13 *	<a href="#">140119</a>	FDS210 to EEE 141 joining kit	1	
13 *	<a href="#">140051</a>	FDS210 to EEE 142 joining kit	1	
13 *	<a href="#">140052</a>	FDS210 to EEE 143/144 joining kit	1	
14 *	<a href="#">140689</a>	EEE German label kit	A/R	
14 *	<a href="#">140690</a>	EEE French label kit	A/R	
14 *	<a href="#">140691</a>	EEE Italian label kit	A/R	
	12199	Oil test kit	A/R	

**Recommended Parts: A = Truck Stock; B = Dist. Stock**  
**\* = Not Shown**  
**A/R = As Required**



For the most up-to-date parts information, visit <https://parts.hennypennyhelp.com>.

## Door Assembly

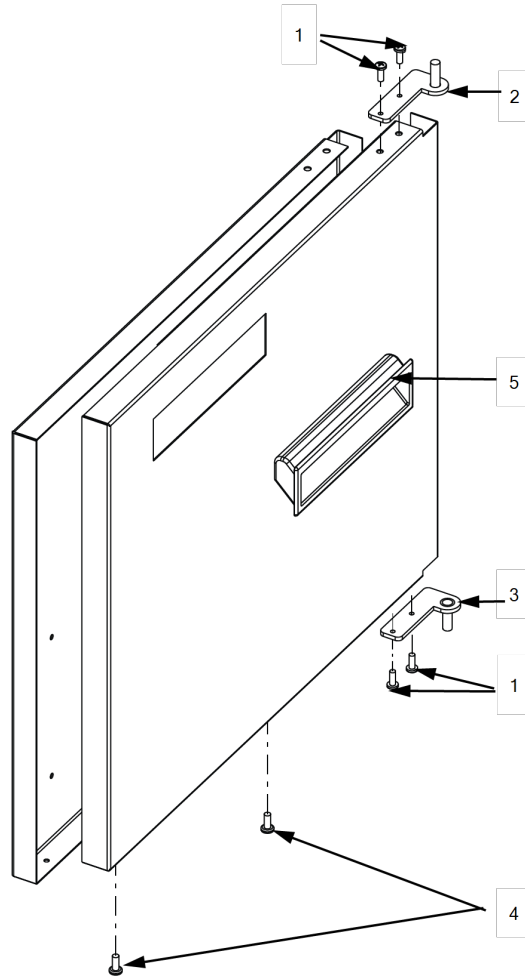


Door Part No.	Top Hinge (Frame)	Top Hinge (Door)	Bottom Hinge (Door)	Bottom Hinge (Frame)	Bushing
92348	<a href="#">92080</a>	<a href="#">92342</a>	<a href="#">92340</a>	<a href="#">92079</a>	<a href="#">39752</a>
92617	<a href="#">92620</a>	<a href="#">92618</a>	<a href="#">92619</a>	<a href="#">92621</a>	<a href="#">39752</a>



For the most up-to-date parts information, visit <https://parts.hennypennyhelp.com>.

## Door Parts



Item No.	Part No.	Description	Qty.	Stocking Level
1	<a href="#">SC04-003</a>	Screw, #8-32, CT, PHD, SS (qty. 50)	4	
2	-	Top Hinge (Door), See Door Assembly table	-	
3	-	Bottom Hinge (Door), See Door Assembly table	-	
4	<a href="#">SC04-003</a>	Screw, #8-32, CT, PHD, SS (qty. 50)	3	



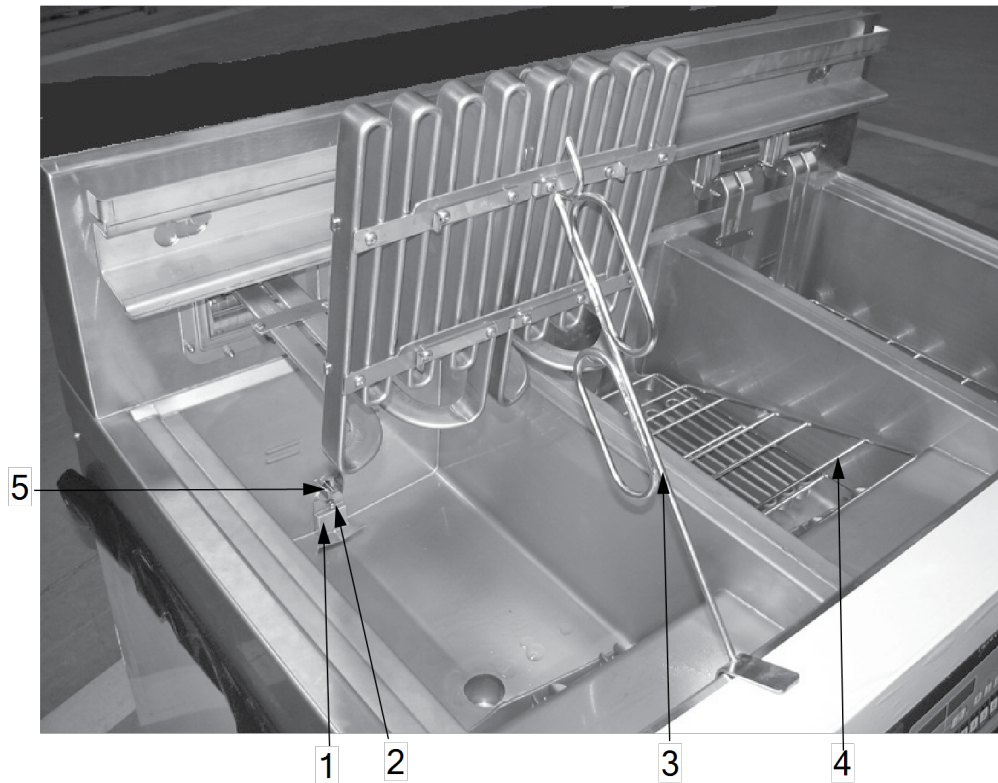
For the most up-to-date parts information, visit  
<https://parts.hennypennyhelp.com>.

Item No.	Part No.	Description	Qty.	Stocking Level
5	<a href="#">41836</a>	Door handle	1	
6*	<a href="#">SC01-234</a>	Flat head hinge screw, #8-32, CT, FHD (hinge to frame) (qty. 50)	A/R	
7*	<a href="#">17002</a>	Door magnet	1/vat	



For the most up-to-date parts information, visit  
<https://parts.hennypennyhelp.com>.

## Top View



Item No.	Part No.	Description	Qty.	Stocking Level
1	<a href="#">77838</a>	Low oil diverter weld assembly	1/vat	
2	<a href="#">NS03-044</a>	Acorn nut, #10-24, SS (for oil diverter)	1/vat	
*	<a href="#">WS01-012</a>	Weld stud (for oil diverter)	1/vat	
*	<a href="#">LW01-008</a>	Lock washer (for oil diverter)	1/vat	
3	<a href="#">74725</a>	Element lift handle	1	B
4*	<a href="#">152196</a>	Split vat rack	1/vat	B
4	<a href="#">74916</a>	Full vat rack	1/vat	B



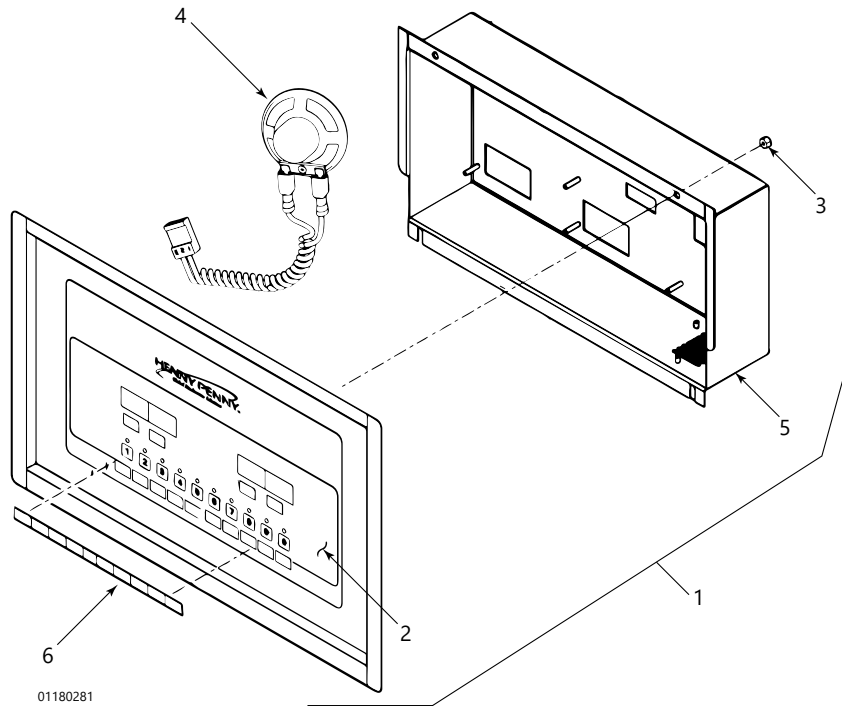
For the most up-to-date parts information, visit  
<https://parts.hennypennyhelp.com>.

Item No.	Part No.	Description	Qty.	Stocking Level
5	<a href="#">14984</a>	Temperature probe (SN before April 2016)	1/vat	A
5	<a href="#">140099</a>	Temperature sensor probe kit (SN after April 2016)	1/vat	A
<b>Recommended Parts: A = Truck Stock; B = Dist. Stock</b> <b>* = Not Shown</b>				



For the most up-to-date parts information, visit  
<https://parts.hennypennyhelp.com>.

## Control Panel Assembly



Item No.	Part No.	Description	Qty.	Stocking Level
1	<a href="#">140402</a>	SmartTouch automatic drain control kit with thumb drive, GM	1 /control	B
2	<a href="#">81354</a>	Control decal	1 /control	
3	<a href="#">NS02-005</a>	Hex keps nut, 6-32 UNC	23 /control	
4	<a href="#">26974</a>	Speaker assembly	1 /control	A
5	<a href="#">82085</a>	Control panel cover stud assembly	1 /control	



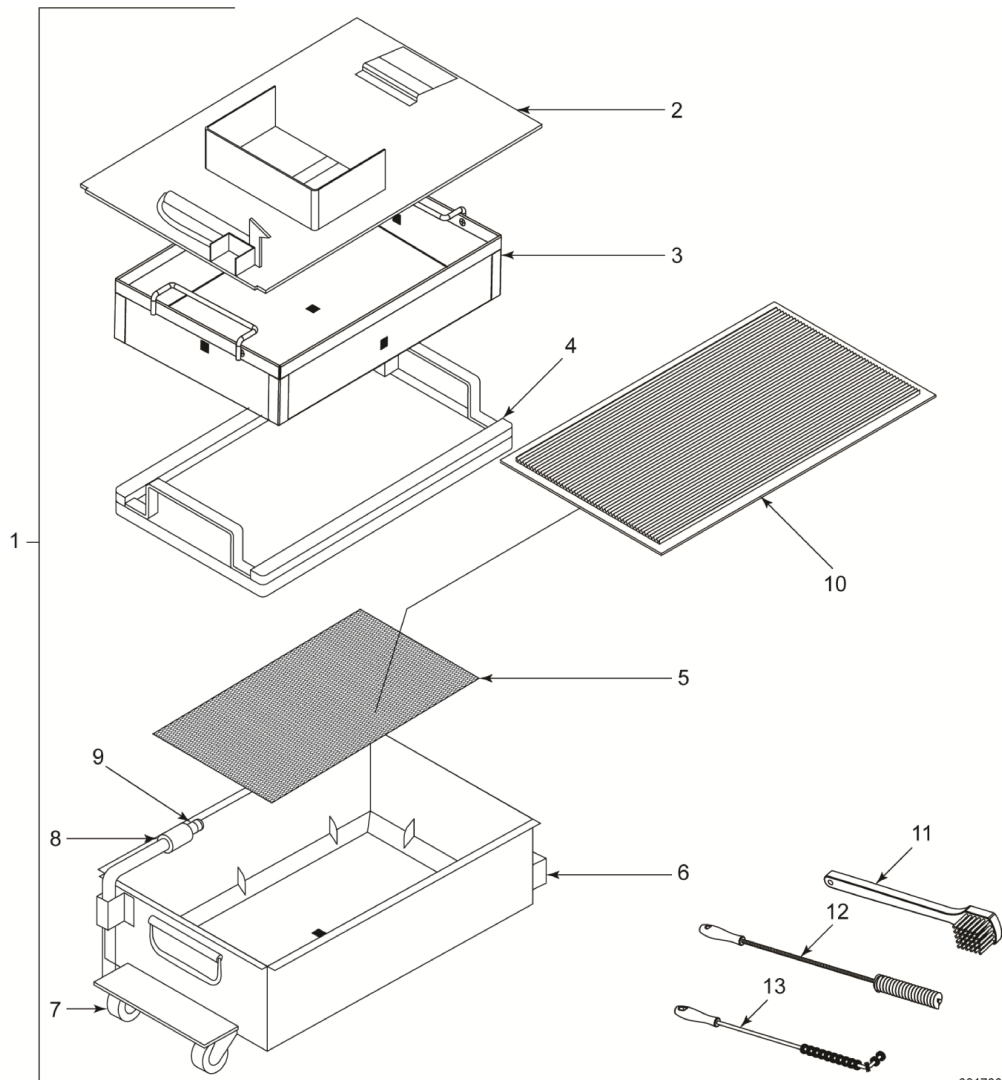
For the most up-to-date parts information, visit  
<https://parts.hennypennyhelp.com>.

Item No.	Part No.	Description	Qty.	Stocking Level
6	<a href="#">81613</a>	Menu card blank	1 /control	
7 *	<a href="#">MS01-571</a>	Terminal extractor tool	1	A
8*	<a href="#">82326</a>	Menu card tool	1	
<p><b>Recommended Parts: A = Truck Stock; B = Dist. Stock</b>  <b>* = Not Shown</b>  <b>/ CTRL = Control x : EEE 141 = 1; EEE 142 = 2; EEE 143 = 3; EEE 144 = 4</b></p>				



For the most up-to-date parts information, visit <https://parts.hennypennyhelp.com>.

## Filter Pan Assembly



08170011

Item No.	Part No.	Description	Qty.	Stocking Level
1	<a href="#">77531</a>	Filter pan assembly	1	
2	<a href="#">82673</a>	- Filter pan cover	1	
3	<a href="#">163322</a>	- Crumb catcher	1	



For the most up-to-date parts information, visit  
<https://parts.hennypennyhelp.com>.

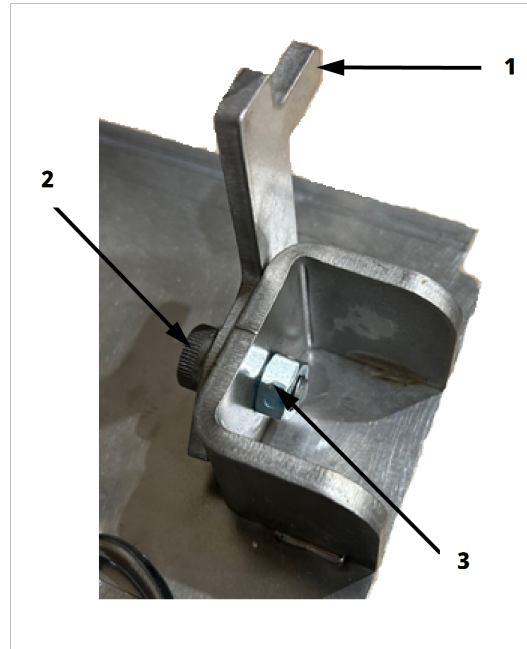
Item No.	Part No.	Description	Qty.	Stocking Level
4	<a href="#">76179</a>	- Filter weight	1	
5	<a href="#">76375</a>	-Filter screen	1	
6	<a href="#">82672</a>	- Filter pan with casters	1	
7	<a href="#">52487</a>	- Caster	4	
7	-SC01-009	-Caster screw, 1/4-20	16	
7	-NS02-002	-Caster keps nut, 1/4-20	16	
8	<a href="#">74573</a>	- Pickup tube adapter	1	
9	<a href="#">74189</a>	- Pickup tube o-ring (qty 10)	3	A
10	-	Filter pad/envelope (customer specific)	1	
10	<a href="#">12074</a>	Smart filter pad, 30 count	1	B
10	<a href="#">12076</a>	Smart filter paper, 100 count	1	B
11	<a href="#">12116</a>	White long handle brush	1	B
12	<a href="#">12112</a>	Straight white brush	1	B
13	<a href="#">12126</a>	Black L-shaped brush	1	B

**Recommended Parts: A = Truck Stock; B = Dist. Stock**  
**\* = Not Shown**



For the most up-to-date parts information, visit <https://parts.hennypennyhelp.com>.

## Filter Pan Lid Latch Assembly



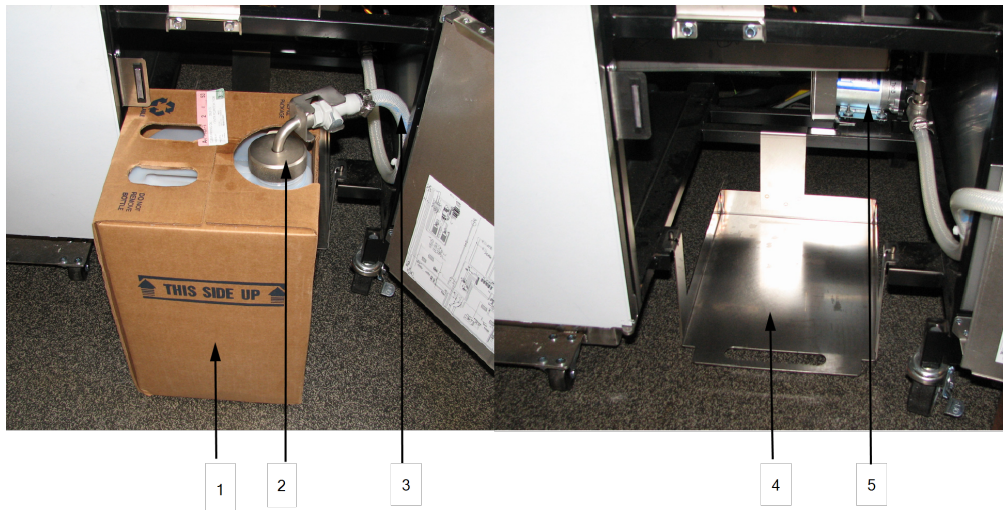
Item No.	Part No.	Description	Qty.	Stocking Level
1	<a href="#">76575</a>	Pan lid latch	1	
2	SC06-073	Pan lid latch bolt	1	
3	<a href="#">NS03-066</a>	Pan lid latch nut	1	
4	WA01-035	Pan lid latch washer	1	

**Recommended Parts: A = Truck Stock; B = Dist. Stock**



For the most up-to-date parts information, visit <https://parts.hennypennyhelp.com>.

## JIB Assembly



Item No.	Part No.	Description	Qty.	Stocking Level
1	<a href="#">03617</a>	Auto top off (empty) jug accessory	1	
2	<a href="#">80490</a>	JIB tube and quick disconnect assembly, CE	1	
2*	<a href="#">FP05-017</a>	- Quick disconnect, male, 3/8 in.	1	A
2*	<a href="#">MS01-561</a>	-- O-ring, 3/8 in.	1	A
3	<a href="#">81513</a>	Hose assembly	1	
3*	<a href="#">-FP05-016</a>	- Quick disconnect, female, 1/2 in.	1	A
3*	<a href="#">-MS01-297</a>	-Hose clamp, SS	2	
3*	<a href="#">-FP01-228</a>	-Barbed fitting, 1/2 in. hose, 3/8 NPT, nylon	1	
4	<a href="#">85966</a>	JIB shelf assembly	1	



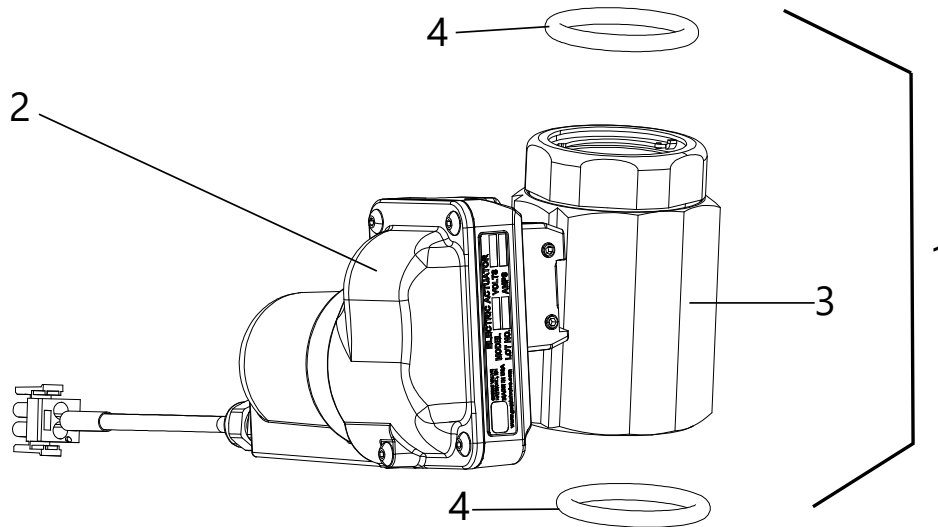
For the most up-to-date parts information, visit  
<https://parts.hennypennyhelp.com>.

Item No.	Part No.	Description	Qty.	Stocking Level
5		JIB pump, <a href="#">See Right Side Panel Removed</a>		
<p>Recommended Parts: A = Truck Stock; B = Dist. Stock            * = Not Shown</p>				



For the most up-to-date parts information, visit  
<https://parts.hennypennyhelp.com>.

## SmartTouch Drain Valve Assembly



Item No.	Part No.	Description	Qty.	Stocking Level
1		Drain valve and actuator assembly (not covered under warranty)		
2	<a href="#">86157</a>	Drain valve actuator (only)	1	B
3	<a href="#">140244</a>	Drain valve (includes O-ring)	1	B
4	<a href="#">84415</a>	O-ring, 326	2	B
5*	<a href="#">76948</a>	Drain tube to trough o-ring	1/vat	
<b>Recommended Parts: A = Truck Stock; B = Dist. Stock</b> <b>* = Not Shown</b>				



For the most up-to-date parts information, visit  
<https://parts.hennypennyhelp.com>.

## ATO Reservoir



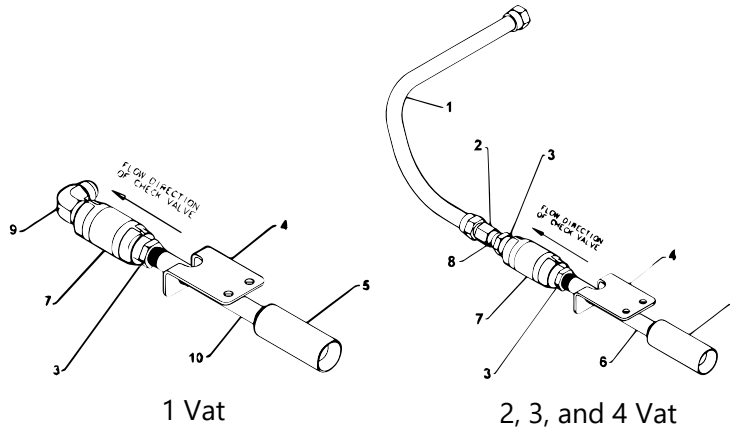
Item No.	Part No.	Description	Qty.	Stocking Level
1	<a href="#">74189</a>	Pickup tube o-ring	3	A
2	<a href="#">85969</a>	Oil box assembly, full vat	1	
2	89376	Oil box assembly, split vat	1	
3	<a href="#">86065</a>	Oil box cover assembly	1	
4		<a href="#">See Door Assembly</a>		
5	<a href="#">86566</a>	Lid hanger bracket stud assembly	1	

**Recommended Parts: A = Truck Stock; B = Dist. Stock**



For the most up-to-date parts information, visit <https://parts.hennypennyhelp.com>.

## Filter Line



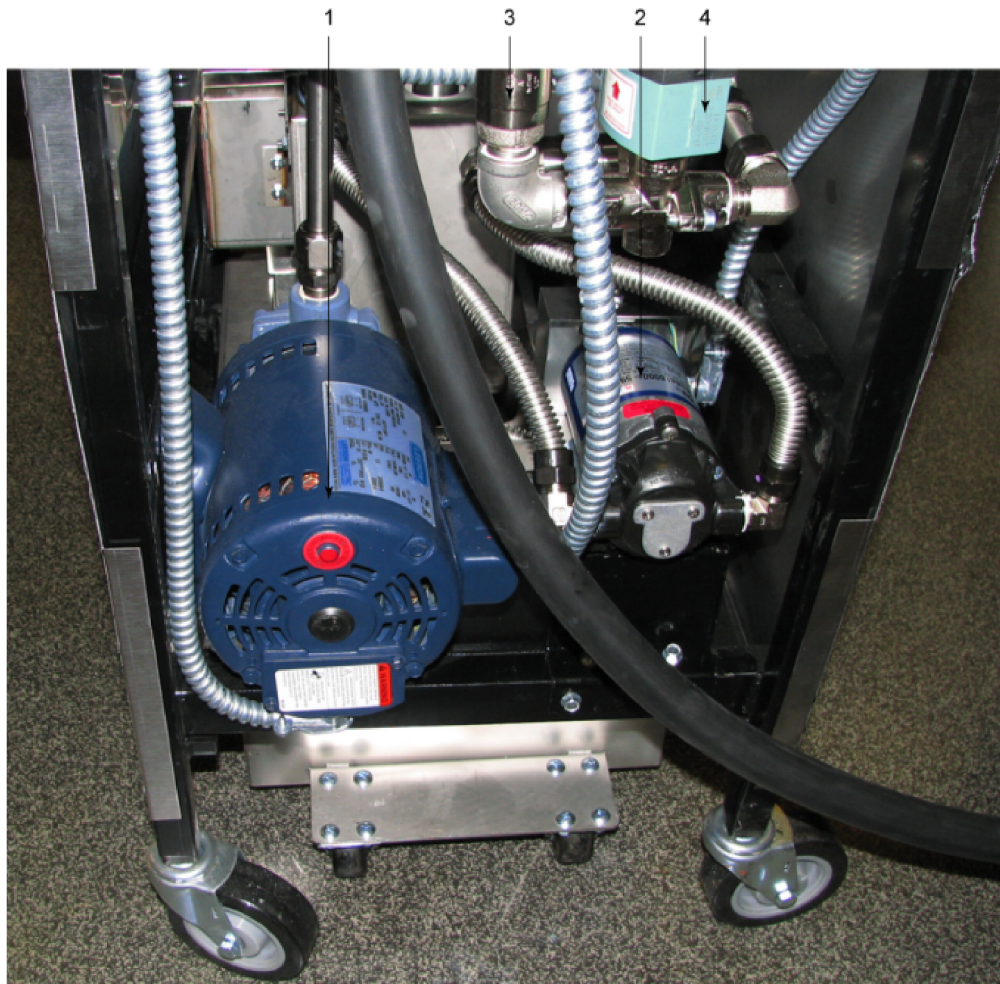
NOTE: 1 vat not available for EEE18X.

Item No.	Part No.	Description	Qty.	Stocking Level
1	<a href="#">77523-002</a>	Suction tube, 18 inch long	1	
2	<a href="#">FP01-206</a>	Flare connector, 3/8 inch, NPT, female, 45	1	
3	<a href="#">FP01-029</a>	Reducer, 1/2 inch NPT male to 3/8 inch NPT , SS female	2	
4	<a href="#">77259</a>	Plug and play bracket	1	
5	<a href="#">77248</a>	Tube end adaptor	1	
6	<a href="#">FP01-204</a>	Nipple, 3/8 inch NPT x 6 inch long	1	
7	<a href="#">74469</a>	Check valve, 1/2 NPT	1	A
8	<a href="#">FP02-024</a>	Nipple, 3/8 inch NPT	1	
Recommended Parts: A = Truck Stock; B = Dist. Stock				



For the most up-to-date parts information, visit <https://parts.hennypennyhelp.com>.

## Oil Management Components



Item No.	Part No.	Description	Qty.	Stocking Level
1	<a href="#">154048</a>	Vat fill solenoid valve, 1/2 NPT, 220 / 240 VAC	1	A
2	<a href="#">74469</a>	Vat fill check valve, 1/2 NPT	1	A
3	<a href="#">97600</a>	JIB pump retrofit service pack, 208-240 VAC (before 05/2015)	1	



For the most up-to-date parts information, visit  
<https://parts.hennypennyhelp.com>.

Item No.	Part No.	Description	Qty.	Stocking Level
3	<a href="#">153417-002</a>	JIB pump, 208-240 VAC (after 05/2015)	1	A
<b>Recommended Parts: A = Truck Stock; B = Dist. Stock</b> <b>* = Not Shown</b>				

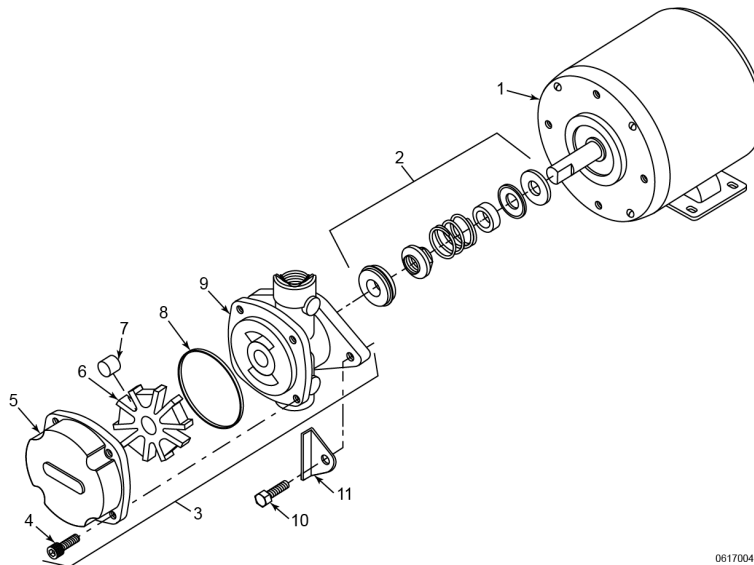


For the most up-to-date parts information, visit  
<https://parts.hennypennyhelp.com>.

## Filter Pump and Motor Assemblies

### Flange Mount Filter Pump Motor Assembly

All Units Manufactured Before August 2017



06170040

Item No.	Part No.	Description	Qty.	Stocking Level
1	<a href="#">67583</a>	Motor, 1/2 HP, 60 Hz	1	A
1	<a href="#">92850</a>	Motor, 1/2 HP, 50 Hz ,CE	1	A
2	<a href="#">17476</a>	Seal kit	1	A
3	<a href="#">171168</a>	5 GPM pump assembly	1	B
4	<a href="#">SC01-132</a>	- Pump cover screw	1	
5	<a href="#">171171</a>	- Pump cover	1	
6	<a href="#">171170</a>	- Pump rotor	1	
7	<a href="#">171169</a>	- Pump roller (set of 5)	1	A



For the most up-to-date parts information, visit  
<https://parts.hennypennyhelp.com>.

Item No.	Part No.	Description	Qty.	Stocking Level
8	<a href="#">162498</a>	- O-ring	1	B
9	N/A	Pump body not sold separately. Use <a href="#">171168</a> .		
10	<a href="#">SC01-026</a>	Pump motor shield screw	1	
11		Pump shield not sold separately		
11*	<a href="#">FP01-340</a>	Elbow, SAE 10 (pump outlet)	1	
12*	<a href="#">FP01-232</a>	Elbow, 3/4 - SAE16 (pump inlet)	1	
12	83142	Pump motor shield, CE	1	
<b>Recommended Parts: A = Truck Stock; B = Dist. Stock</b>				

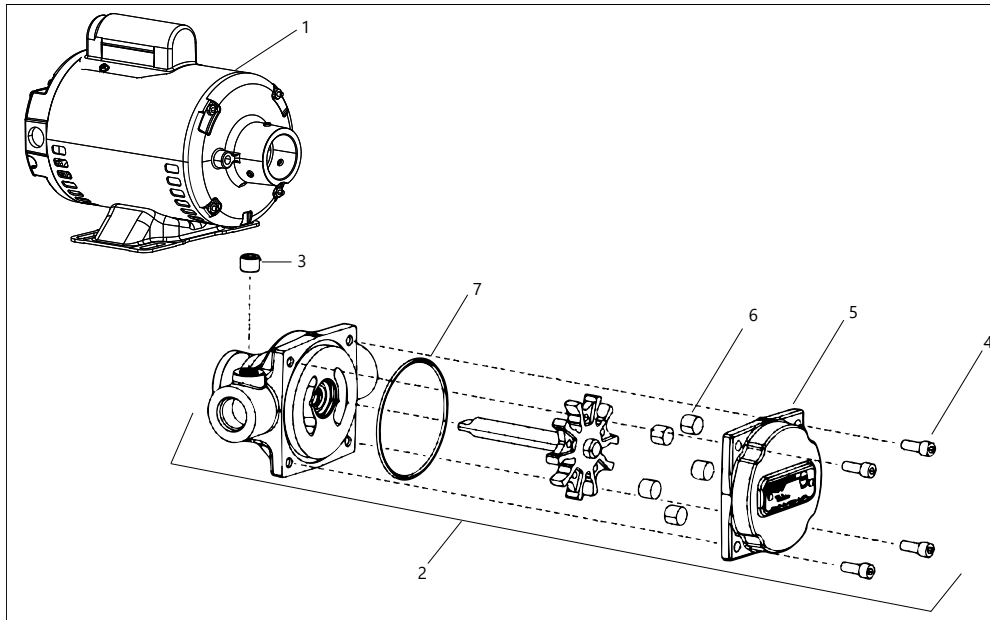


For the most up-to-date parts information, visit  
<https://parts.hennypennyhelp.com>.

## Hub Mount Filter Pump Motor Assembly

Units Manufactured After August 2017

Not Included in Original Manufactured Assembly



**NOTICE -** Do not separate the filter pump rotor and body. Separating the rotor and body will cause permanent pump shaft seal damage.

Item No.	Part No.	Description	Qty.	Stocking Level
1	<a href="#">164184-002</a>	1/2 HP / 50Hz motor, CE	1	A
2	<a href="#">164323</a>	5 GPM hub mounted filter pump assembly	1	A
3	<a href="#">-FP01-020</a>	Hex socket plug, 1/4 NPT	1	
4	<a href="#">-SC01-132</a>	Pump cover screw (qty. 50)	A/R	
5		Pump cover not sold separately		



For the most up-to-date parts information, visit  
<https://parts.hennypennyhelp.com>.

Item No.	Part No.	Description	Qty.	Stocking Level
6	<a href="#">-171169</a>	Pump roller kit (set of 5), 5 GPM	1	A
7	<a href="#">-162498</a>	Pump cover o-ring	1	A
8*	<a href="#">140516</a>	Filter pump conversion hardware kit	1	
10*	<a href="#">-173418-001</a>	Fitting o-ring, SAE #6, 9/16-18 UNF	1	
10*	<a href="#">-173418-002</a>	Fitting o-ring, SAE #8, 3/4-16 UNF	1	
10*	<a href="#">-173418-003</a>	Fitting o-ring, SAE #10, 7/8-14 UNF	1	
10*	<a href="#">-173418-004</a>	Fitting o-ring, SAE #12, 1 1/16-12 UNF	1	
<b>Recommended Parts: A = Truck Stock; B = Dist. Stock</b>				

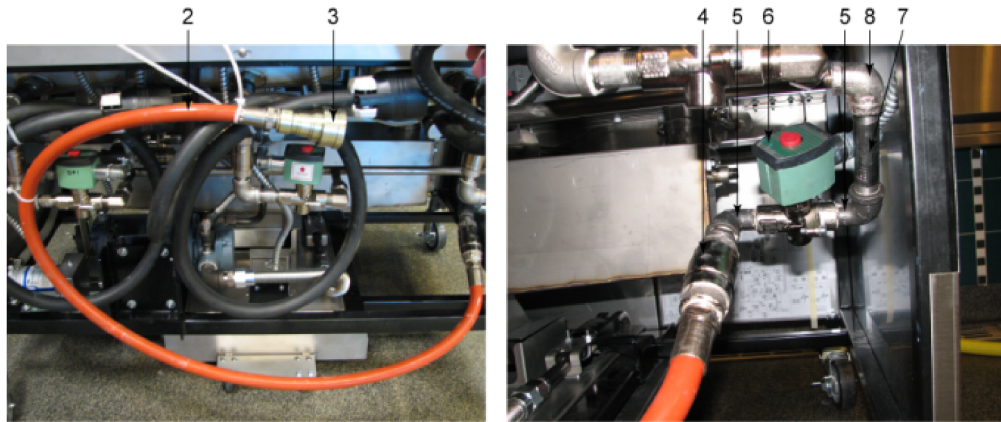
NOTE: Prime retrofit filter pump and motor fittings cannot be used with hub mounted filter pump and motor assembly. Mounting plate holes will not align.



For the most up-to-date parts information, visit <https://parts.hennypennyhelp.com>.

## Bulk Dispose

EEE-182, 183



Item No.	Part No.	Description	Qty.	Stocking Level
1 *	<a href="#">140053</a>	Bulk dispose kit	1	
1*	<a href="#">140611</a>	Bulk fill kit	1	
2	<a href="#">67662</a>	Direct connect hose assembly	1	B
3	<a href="#">21612</a>	Female disconnect	1	B
4	<a href="#">21800</a>	Check valve, 3/4 inch	1	A
5	<a href="#">FP01-127</a>	1/2 x 1/2, 90° street elbow	2	
6	<a href="#">154048</a>	Solenoid valve, 220/240V, 1/2 inch NPT	1	A
7	<a href="#">FP02-052</a>	Nipple, 1/2 x 4 inch	1	
8	<a href="#">FP01-001</a>	Reducing elbow, 1/2 inch to 3/8 inch	1	
9 *	<a href="#">21611</a>	Male disconnect	1	A



For the most up-to-date parts information, visit  
<https://parts.hennypennyhelp.com>.

Item No.	Part No.	Description	Qty.	Stocking Level
10*	<a href="#">140153</a>	Dipose hose assembly kit	1	
10*	<a href="#">-17334</a>	Disconnect, 3/8 inch, male	1	A
<b>Recommended Parts: A = Truck Stock; B = Dist. Stock</b> * = Not Shown				

### Front Bulk Dispose EEE-182

Item No.	Part No.	Description	Qty.	Stocking Level
	<a href="#">17333</a>	Bulk dispose disconnect rinse hose, female	1	B
	<a href="#">154048</a>	Solenoid valve, 220/240VAC 1/2 in NPT	1	A
	<a href="#">77523-003</a>	Suction tube, 24 in	1	
	<a href="#">74469</a>	Check valve, 1/2 in	1	B
	<a href="#">FP02-001</a>	Close nipple, 3/8 in	1	
	91167	Return oil tube front dispose assembly	1	
	<a href="#">FP01-112</a>	Tee, 3/8 in NPT , SS, female	1	
	<a href="#">FP01-205</a>	Flare connector, 3/8 in NPT, 45	1	
	<a href="#">FP01-242</a>	Flare fitting, 3/8 in NPT 45 degree	1	
	<a href="#">60344</a>	Return line fitting	1	
	<a href="#">SC01-034</a>	Screw, 8-32 UNC x 3/8 in	1	
	<a href="#">140153</a>	Front dispose hose	1	
	<a href="#">-17334</a>	-Disconnect, 3/8 inch, Male	1	
<b>Recommended Parts: A = Truck Stock; B = Dist. Stock</b>				