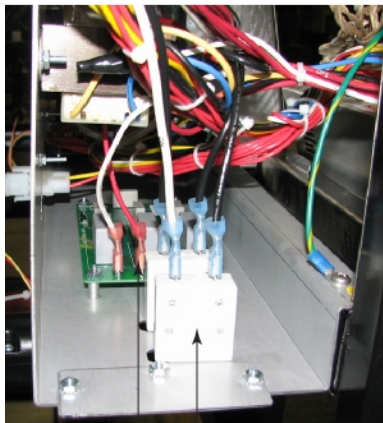


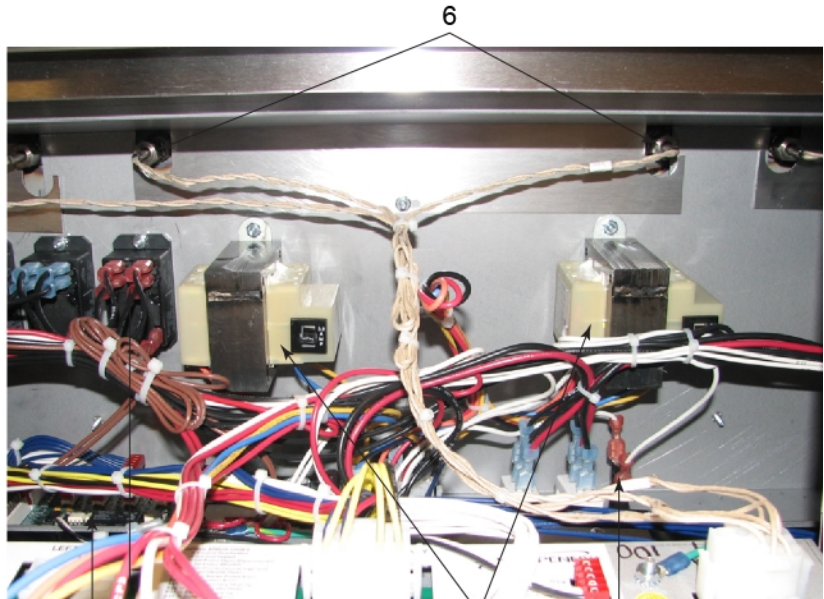


For the most up-to-date parts information, visit <https://parts.hennypennyhelp.com>.

Electrical Components



8 7



1 2 3 4 6

Item No.	Part No.	Description	Qty.	Stocking Level
1	85698	Common AIF PC board	1	A
2	ME90-008	Pump motor relay, 30 amp, 12 VDC	A/R	A
3	84134	Transformer 208/24 VAC, (11/25/2009 and after)	1/vat	A
3	86087	Transformer, 240/24 VAC, 24" wire length	1/vat	A
4	EF02-104	Fuse holder, 20 amp, 250VAC	1	A
5 *	FA52-005	Fuse, .5 amp, 208/240VAC (BK0911009 and after)	1	A



For the most up-to-date parts information, visit
<https://parts.hennypennyhelp.com>.

Item No.	Part No.	Description	Qty.	Stocking Level
6	14974	Level sensor probe, 2.5 inch (SN: April 2016 and before)	2/vat	A
6	140098	Level sensor probe kit, (SN: April 2016 and after)	2/vat	A
7	EF02-125	Push button reset breaker, 15 amp	A/R	A
9*	TS22-012	AIF/auto lift transformer	1/vat	A

Recommended Parts: A = Truck Stock; B = Dist. Stock

* = Not Shown

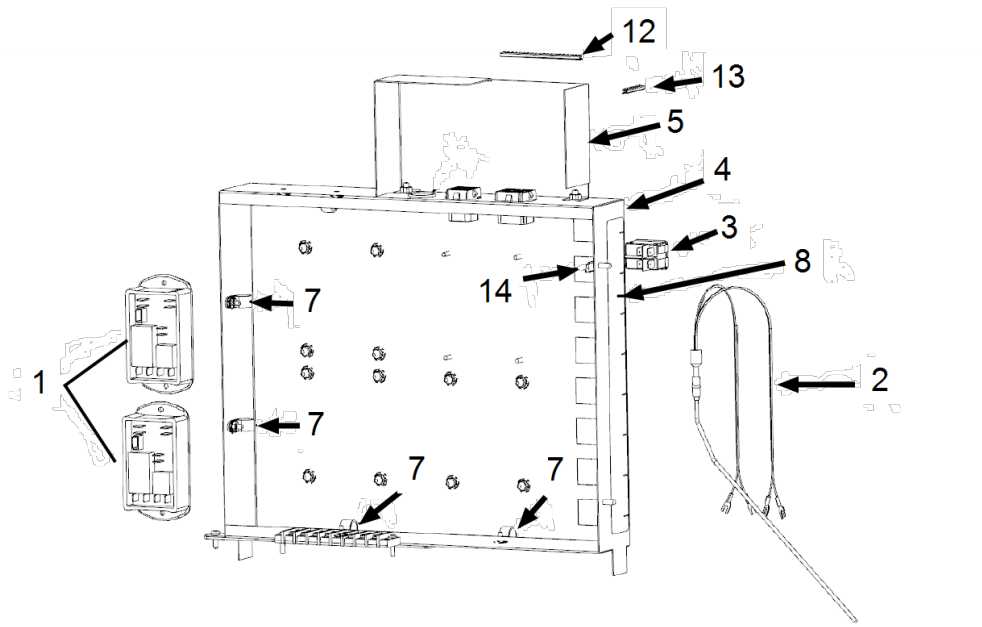
A/R = As Required

1 = Only wells with the express filter PC board behind the control panel with 2 transformers



For the most up-to-date parts information, visit
<https://parts.hennypennyhelp.com>.

Electronic High Limit Assembly



Item No.	Part No.	Description	Qty.	Stocking Level
1	175915-006	Dual high-limit control, 100-240V, 575°, SVC Pack	A/R	A
*	NS02-002	Nut, hex, keps #6-32 (high limit mounting nut)	A/R	
2	188056	High limit probe	A/R	A
3	157360	High limit reset switch	A/R	A
4*	150419	High limit enclosure (for single well units only)	1	
4	187600	High limit enclosure (for 2, 3 & 4 well units only)	1	



For the most up-to-date parts information, visit
<https://parts.hennypennyhelp.com>.

Item No.	Part No.	Description	Qty.	Stocking Level
5	167367	Wire shield (for 2, 3 & 4 well units only)	1	
6	EF02-151	Snap bushing, thin .875	1	
7	EF02-131	Clamp, 1/2 ID X 3/8 wide (for 2, 3 & 4 well units only)	6	
8	151142	High limit switch decal (for 2, 3 & 4 well units only)	1	
9*	18111	Conduit connector, straight (for single well units only)	1	
10*	153225	Reset switch bracket (for single well units only)	1	
11*	18107	Conduit connector, 90° (for single well units only)	1	
12	74639-003	Edge grommet, 3 inch (for 2, 3 & 4 well units only)	1	
13	74638-004	Edge grommet, 1.35 inch	1	
14	EC02-005	Terminal, straight, 2 blade adapter	A/R	

Recommended Parts: A = Truck Stock; B = Dist. Stock
*** = Not Shown**
A/R = As Required



For the most up-to-date parts information, visit
<https://parts.hennypennyhelp.com>.

Wire Harnesses

Part No.	Description	Qty.	Notes
154651-001	HL & TC jumper, full well 1	A/R	TC-2A, TC-2B, red & white wires
154651-002	HL & TC jumper, full well 2	A/R	TC-4A, TC-4B, red & white wires
154651-003	HL & TC jumper, full well 3	A/R	TC-6A, TC-6B, red & white wires
154651-004	HL & TC jumper, full well 4	A/R	TC-8A, TC-8B, red & white wires
159654	HL module power, RHLP	A/R	RHLP, black wire
159655	HL module power, LHLP	A/R	LHLP, black wire
159656	HL switch jumper	A/R	HLPJ, black wire
159915-001	HL & TC jumper, well 1	A/R	TC-1A, TC-1B, TC-2A, TC-2B, red & white wires
159915-002	HL & TC jumper, well 2	A/R	TC-3A, TC-3B, TC-4A, TC-4B, red & white wires
159915-003	HL & TC jumper, well 3	A/R	TC 5A, TC-5B, TC-6A, TC-6B, red & white wires
159915-004	HL & TC jumper, well 4	A/R	TC-7A, TC-7B, TC-8A, TC-8B, red & white wires
187711-200	HL power & signal (used on FF, FS & SF configurations)	A/R	HLP, HLPN, RHL1, RHL2, RHL3, RHL4, red, white & black wires



For the most up-to-date parts information, visit
<https://parts.hennypennyhelp.com>.

Part No.	Description	Qty.	Notes
187711-300	HL power & signal (used on FFF, FFS, FSS, SFF, SSF & SSS configurations)	A/R	HLP, HLPN, RHL1, RHL2, RHL3, RHL4, RHL5, RHL6, red, white, black & blue wires
187711-400	HL power & signal (used on FFFF, FFFS, FFSS, FSSS, SFFF, SSFF, SSSF & SSSS configurations)	A/R	HLP, HLPN, RHL1, RHL2, RHL3, RHL4, RHL5, RHL6, RHL7, RHL8, red, white, black, blue & brown wires
187712-200	HL power & signal (used on FF, FS & SF configurations)	A/R	HLP-1, HLPN-1, HLPN-2, HLPN-3, HLPN-4, RHL1-1, RHL2-1, RHL3-1, RHL4-1 red, white & black wires
187712-300	HL power & signal (used on FFF, FFS, FSS, SFF, SSF & SSS configurations)	A/R	HLP-1, HLPN-1, HLPN-2, HLPN-3, HLPN-4, HLPN-5, HLPN-6, RHL1-1, RHL2-1, RHL3-1, RHL4-1, RHL5-1, RHL6-1, red, white, black & blue wires
187712-400	HL power & signal (used on FFFF, FFFS, FFSS, FSSS, SFFF, SSFF, SSSF & SSSS configurations)	A/R	HLP-1, HLPN-1, HLPN-2, HLPN-3, HLPN-4, HLPN-5, HLPN-6, HLPN-7, HLPN-8, RHL1-1, RHL2-1, RHL3-1, RHL4-1, RHL5-1, RHL6-1, RHL7-1, RHL8-1, red, white, black, blue & brown wires
187713-100	Left vat HL, SF (used on SF, SFF & SFFF configurations)	A/R	LHL1, LHL2 violet wires
187713-200	Left vat HL, SS (used on SS, SSF & SSFF configurations)	A/R	LHL1, LHL2, LHL3, LHL4 violet and yellow wires



For the most up-to-date parts information, visit
<https://parts.hennypennyhelp.com>.

Part No.	Description	Qty.	Notes
187713-210	Left vat HL, FS (used on FS configuration)	A/R	LHL3, LHL4 yellow wires
187713-300	Left vat HL, SSS (used SSS, SSSF configurations)	A/R	LHL1, LHL2, LHL3, LHL4, LHL5, LHL6 violet, yellow & grey wires
187713-310	Left vat HL, FSS (used on FSS configuration)	A/R	LHL3, LHL4, LHL5, LHL6 yellow & grey wires
187713-320	Left vat HL, FFS (used on FSS configuration)	A/R	LHL5, LHL6 grey wires
187713-400	Left vat HL, SSSS (used on SSSS configuration)	A/R	LHL1, LHL2, LHL3, LHL4, LHL5, LHL6, LHL7 violet, yellow, grey & black wires
187713-410	Left vat HL, FSSS (used on FSSS configuration)	A/R	LHL3, LHL4, LHL5, LHL6, LHL7, LHL8 yellow, grey & black wires
187713-420	Left vat HL, FFSS (used on FFSS configuration)	A/R	LHL5, LHL6, LHL7, LHL8 grey & black wires
187713-430	Left vat HL, FFFS (used on FFFS configuration)	A/R	LHL7, LHL8 black wires
187714-100	Left vat HL, S (used on SF, SFF, SFFF con- figurations)	A/R	LHL1-1, LHL2-1 violet wires
187714-200	Left vat HL, SS (used on SS, SSF, SSFF con- figurations)	A/R	LHL1-1, LHL2-1, LHL3-1, LHL4-1 violet & yellow wires



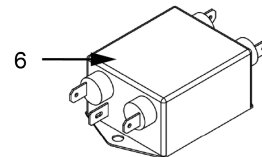
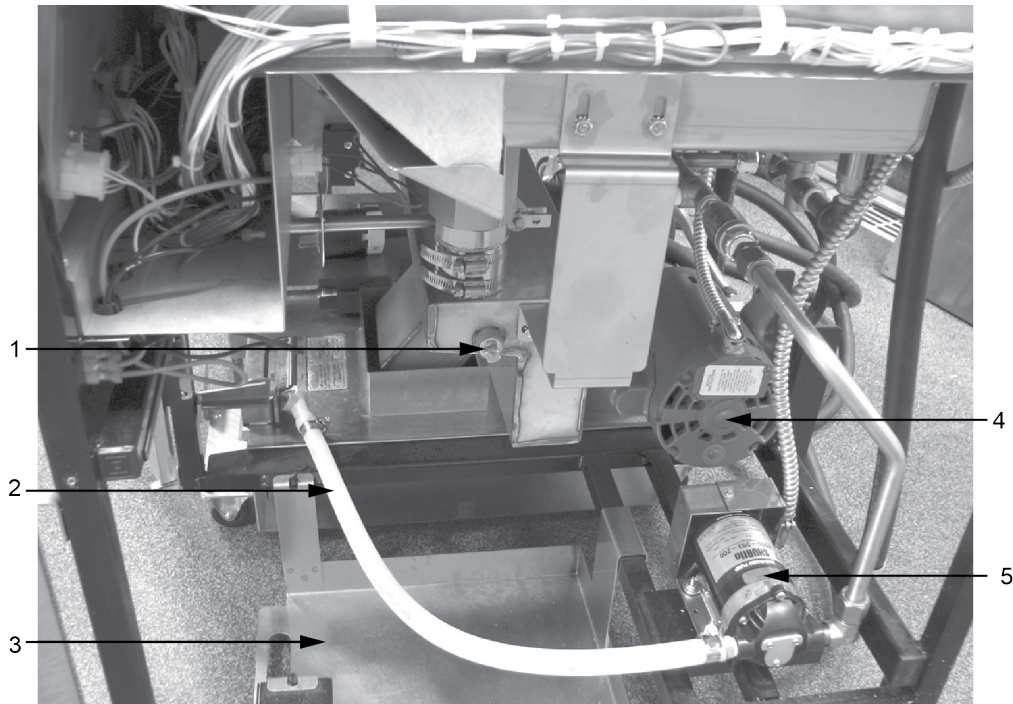
For the most up-to-date parts information, visit
<https://parts.hennypennyhelp.com>.

Part No.	Description	Qty.	Notes
187714-210	Left vat HL, FS (used on FS configuration)	A/R	LHL3-1, LHL4-1 yellow wires
187714-300	Left vat HL, SSS (used on SSS configuration)	A/R	LHL1-1, LHL2-1, LHL3-1, LHL4-1, LHL5-1, LHL6-1 violet, yellow & grey wires
187714-400	Left vat HL, SSSS (used on SSSS configuration)	A/R	LHL1-1, LHL2-1, LHL3-1, LHL4-1, LHL5-1, LHL6-1, LHL7-1, LHL8-1 violet, yellow, grey & black wires
187714-410	Left vat HL, FSSS (used on FSSS configuration)	A/R	LHL3-1, LHL4-1, LHL5-1, LHL6-1, LHL7-1, LHL8-1 yellow, grey & black wires
187714-420	Left vat HL, FFSS (used on FFSS configuration)	A/R	LHL5-1, LHL6-1, LHL7-1, LHL8-1 grey & black wires
187714-430	Left vat HL, FFFS (used on FFFS configuration)	A/R	LHL7-1, LHL8-1, black wires
Recommended Parts: A = Truck Stock; B = Dist. Stock * = Not Shown A/R = As Required			



For the most up-to-date parts information, visit <https://parts.hennypennyhelp.com>.

Right Side Panel Removed



Item No.	Part No.	Description	Qty.	Stocking Level
1	FP01-099	Pipe plug, 3/8 inch, NPT , SS	1	
2	81513	Hose assembly	1	B
2*	-FP05-016	-Quick disconnect, female, 1/2 in.	1	A
2*	-MS01-297	-Hose clamp, SS	2	



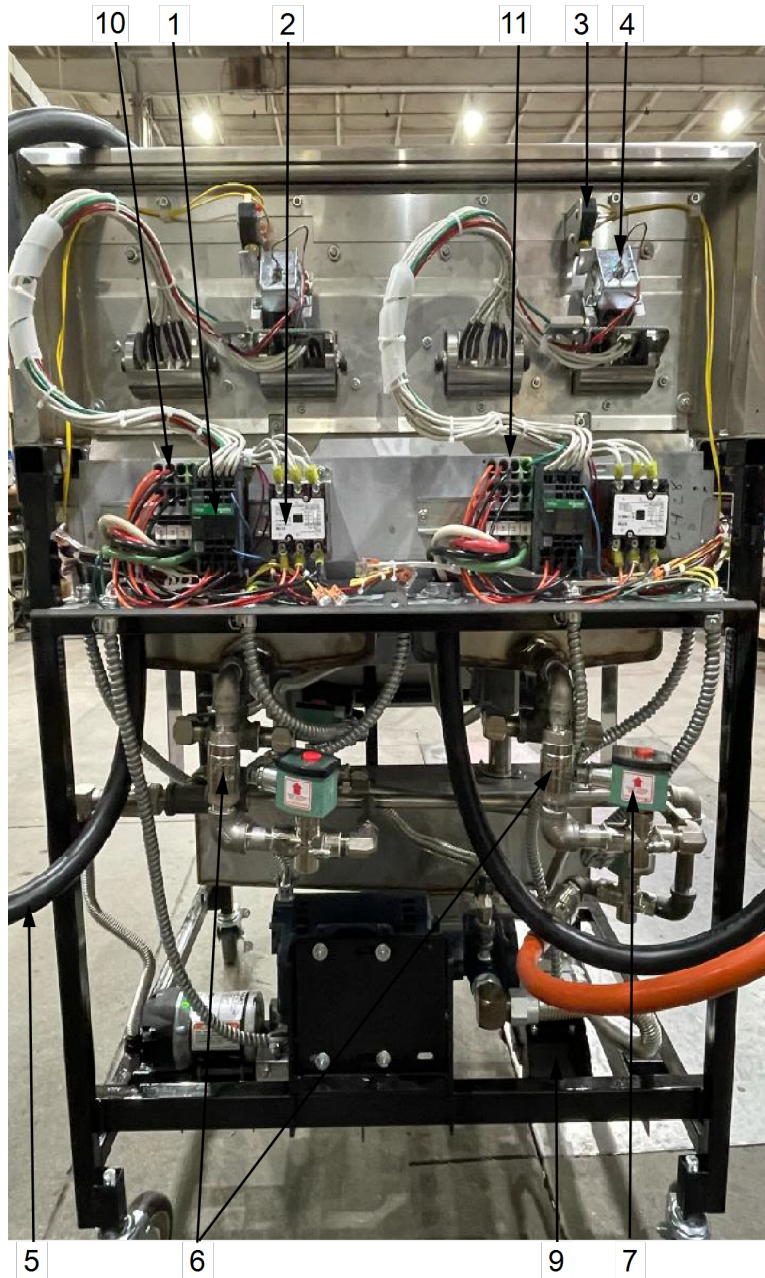
For the most up-to-date parts information, visit
<https://parts.hennypennyhelp.com>.

Item No.	Part No.	Description	Qty.	Stocking Level
2*	-FP01-228	-Barbed fitting, 1/2 in. hose, 3/8 NPT, nylon	1	
3	85966	JIB shelf weld assembly	1	
4	--	See Pump & Motor Assembly		
5	97600	JIB pump retrofit service pack, 208-240 VAC (before 5/2015)	1	
5	153417-002	JIB pump, 208-240 VAC (after 5/2015)	1	A
6	80728	EMI filter, CE	1	
Recommended Parts: A = Truck Stock; B = Dist. Stock * = Not Shown				



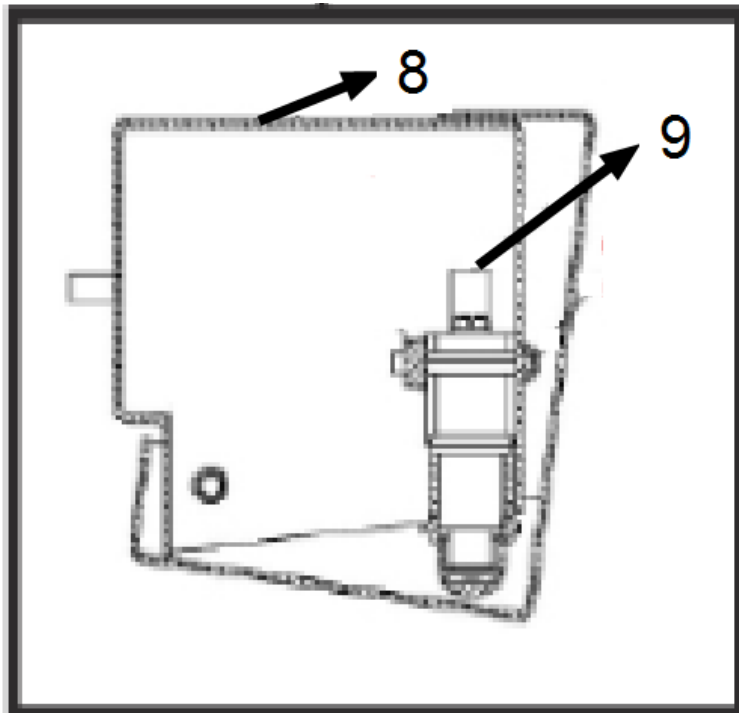
For the most up-to-date parts information, visit
<https://parts.hennypennyhelp.com>.

Rear View





For the most up-to-date parts information, visit <https://parts.hennypennyhelp.com>.



Item No.	Part No.	Description	Qty.	Stocking Level
1	78753	Heat contactor, 24VAC coil	1/vat	A
2	29509	Safety contactor, 24VAC coil	1/vat	A
3	18227	Element lift switch	1/vat	A
4	77285	High limit kit, 425° F See Element Assembly	1/vat	A
4*		See Electronic High Limit Assembly		
5	75381	Power cord assembly, Straight, 208/240V, 60 amp.	A/R	
5	91786	Power cord assembly, 90°, 208/240V, 60 amp.	A/R	



For the most up-to-date parts information, visit
<https://parts.hennypennyhelp.com>.

Item No.	Part No.	Description	Qty.	Stocking Level
5	82087	Power cord assembly, Straight, 208/240V, 50 amp.	A/R	
5	91787	Power cord assembly, 90°, 208/240V, 50 amp.	A/R	
6	74469	Vat fill check valve, 1/2 NPT	1/ontrol	A
7	154048	Solenoid valve, 220/240VAC, 1/2 NPT	1/control	A
*	-140769	-Solenoid repair kit	A/R	
8	80153	Switch housing w/ drain switch assembly	1	
9	-80148	-Drain switch w/ boot assembly	1	A
*	-SC01-058	-#6-32 x 1 in, PH, PHD	2	
*	-NS02-005	-#6-32, hex keps nut	2	
10	78702	Terminal block assembly	1/control	B
11	87033	Terminal block assembly (left vat only July 2010 and after)	1	B

Recommended Parts: A = Truck Stock; B = Dist. Stock
*** = Not Shown**
A/R = As Required



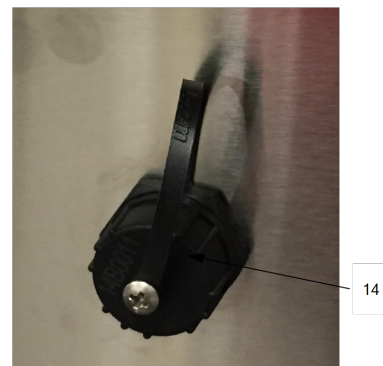
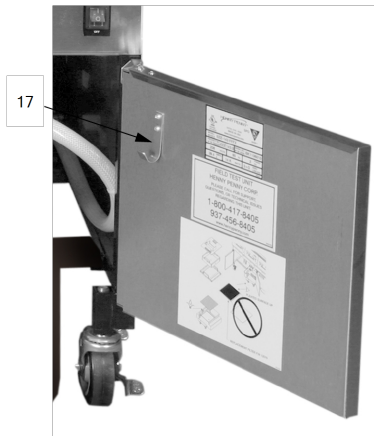
For the most up-to-date parts information, visit
<https://parts.hennypennyhelp.com>.

Item No.	Part No.	Description	Qty.	Stocking Level
3	FP01-035	Nipple, 1/2 NPT, 1 1/2 length, SS	4	
4	FP01-028	Close nipple, large, 1/2 NPT, SS	2	
5	16807	Male connector fitting	1	
6	FP01-096	Female elbow, 1/2 X 1/2, SS	2	
7	154048	Solenoid valve, 220-240VAC, 1/2 NPT	1	A
8	FP01-029	Reducer, 1/2 NPT male, 3/8 NPT female, SS	1	
9	56636	Pipe nipple, 1/4 NPT X 1.125	1	
10	FP01-234	Reducer, 3/8 F to 1/4 F BI	1	
11	FP01-240	45 degree elbow, flare, 3/8 NPT	2	
12	77523-011	Suction tube, Dormont, 10.000	1	
13	80758	Return tube assembly	1	
14	FP01-122	Reducer, 3/8 to 1/2 BI	1	
Recommended Parts: A = Truck Stock; B = Dist. Stock * = Not Shown				



For the most up-to-date parts information, visit
<https://parts.hennypennyhelp.com>.

Front View





For the most up-to-date parts information, visit
<https://parts.hennypennyhelp.com>.

Item No.	Part No.	Description	Qty.	Stocking Level
1a	85520	Basket hanger, 1 vat	1	
1a	77934	Basket hanger, 4 vats	1	
1	151171	Basket hanger	1/vat	B
2	52224	Power switch	1	A
3	81980	Filter beacon blue LED	1/vat	B
4		See Door Assembly		
4		See Door Assembly		
5	41836	- Door handle	1	
6	90668	Left side panel	1	
7	77575	Caster with brake, 4 inch	2	C
7*	77679	Caster, 4 inch	2	C
7*	54225	Leg insert	4	
8		See Door Assembly		
8*		See Door Assembly		
9	74461	Right side panel	1	
10		See Control Assembly		
10		See Control Assembly		
11	03624	Cover assembly, Full vat	1/vat	
12*		Basket sourced by Wendy's		
13	16101	Knob, black	1/vat	



For the most up-to-date parts information, visit
<https://parts.hennypennyhelp.com>.

Item No.	Part No.	Description	Qty.	Stocking Level
14 *	152487	USB port cable	1/vat	
14	152488	USB cap	1/vat	
15*	03719	USB flash drive	A/R	
16	12149	High limit reset tool	1	
17	91711	Card holder hook, Wendy's	1	
18 *	140119	FDS210 to EEE 141 joining kit	1	
18 *	140051	FDS210 to EEE 142 joining kit	1	
18 *	140052	FDS210 to EEE 143/144 joining kit	1	
19*	140689	EEE German label kit	A/R	
19*	140690	EEE French label kit	A/R	
19*	140691	EEE Italian label kit	A/R	
	12199	Oil test kit	A/R	

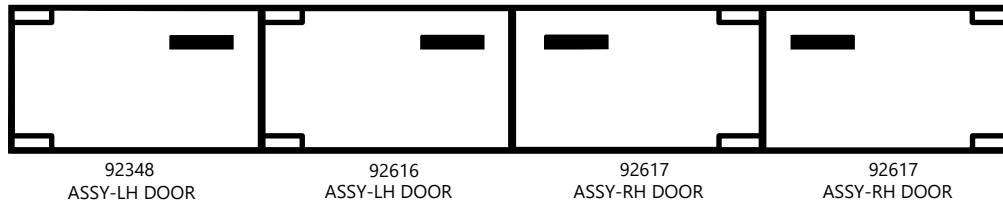
Recommended Parts: A = Truck Stock; B = Dist. Stock
*** = Not Shown**
A/R = As Required



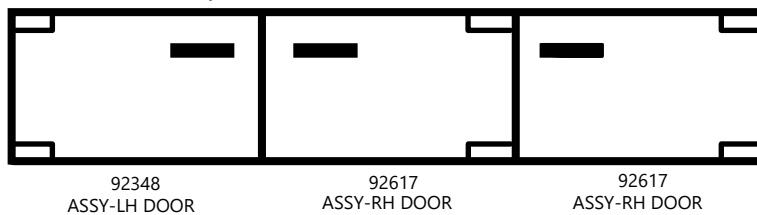
For the most up-to-date parts information, visit
<https://parts.hennypennyhelp.com>.

Door Assembly

EEG/EEE-154 Door Break Down



EEG/EEE-153 Door Break Down

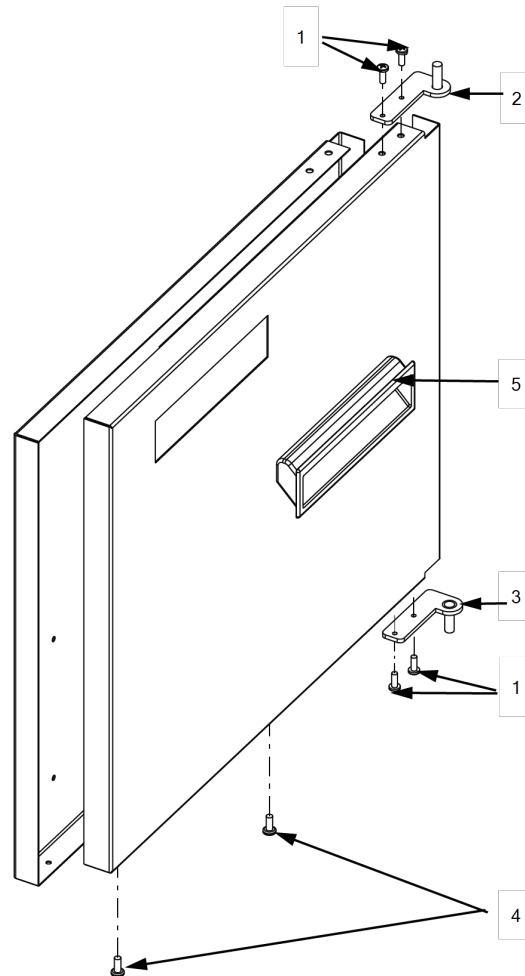


Door Part No.	Top Hinge (Frame)	Top Hinge (Door)	Bottom Hinge (Door)	Bottom Hinge (Frame)	Bushing
92348	92080	92342	92340	92079	39752
92617	92620	92618	92619	92621	39752
92616	92080	92342	92340	92079	39752



For the most up-to-date parts information, visit <https://parts.hennypennyhelp.com>.

Door Parts



Item No.	Part No.	Description	Qty.	Stocking Level
1	SC04-003	Screw, #8-32, CT, PHD, SS (qty. 50)	4	
2	-	Top Hinge (Door), See Door Assembly table	-	
3	-	Bottom Hinge (Door), See Door Assembly table	-	
4	SC04-003	Screw, #8-32, CT, PHD, SS (qty. 50)	3	



For the most up-to-date parts information, visit
<https://parts.hennypennyhelp.com>.

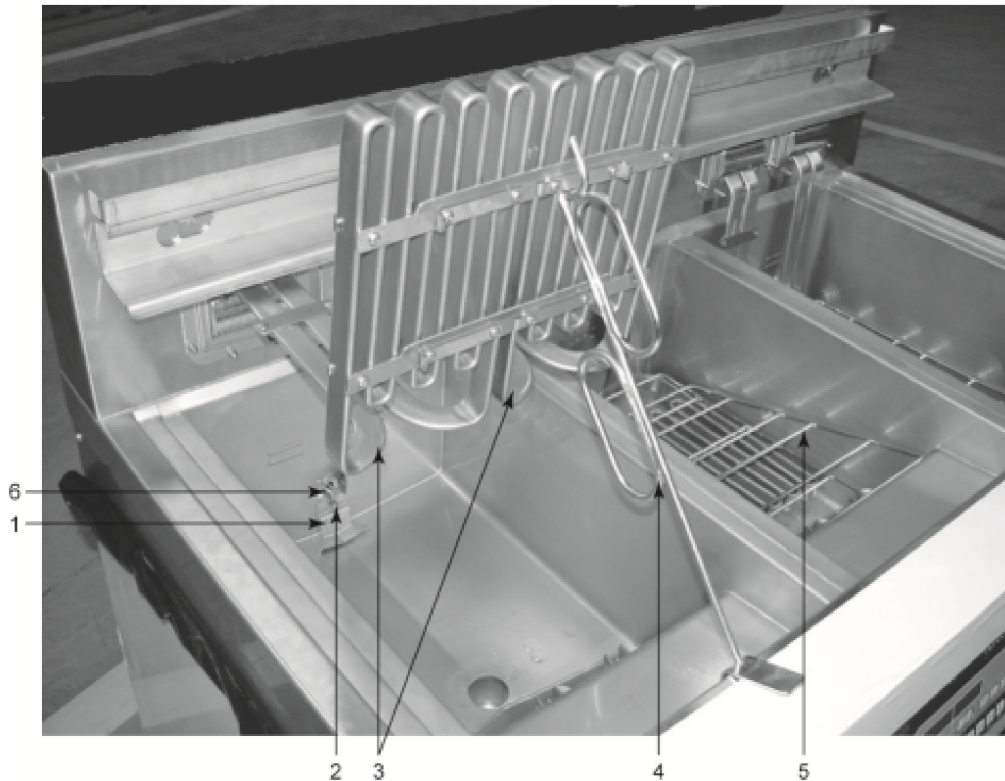
Item No.	Part No.	Description	Qty.	Stocking Level
5	41836	Door handle	1	
6*	SC01-234	Flat head hinge screw, #8-32, CT, FHD (hinge to frame) (qty. 50)	A/R	
7*	17002	Door magnet	1/vat	



For the most up-to-date parts information, visit <https://parts.hennypennyhelp.com>.

Element Assembly

Element Assembly Overview



Item No.	Part No.	Description	Qty.	Stocking Level
*	WS01-012	Weld stud (for oil diverter)	1/vat	
*	LW01-008	Lock washer (for oil diverter)	1/vat	
*	NS03-044	Acorn nut (for oil diverter)	1/vat	
1	86010	Rear oil diverter	1/vat	
2	SC01-205	8-32 Hex Head SS screw	2/vat	
3	78484-001	Heating element, 208 VAC, 7 kW	2 full, 1 split	B



For the most up-to-date parts information, visit
<https://parts.hennypennyhelp.com>.

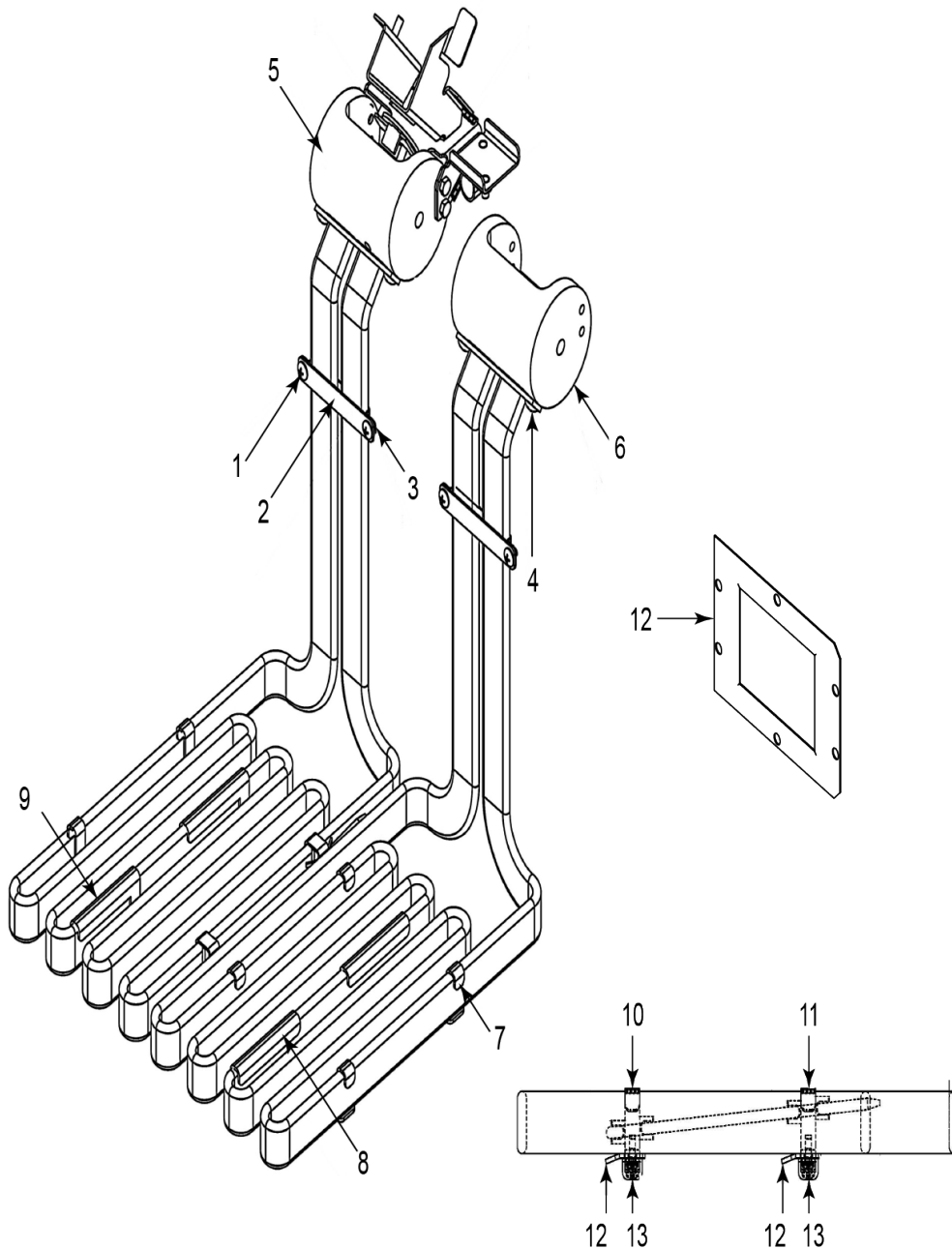
Item No.	Part No.	Description	Qty.	Stocking Level
3	78484-002	Heating element, 230 VAC, 7 kW	2 full, 1 split	B
3	78484-003	Heating element, 480 VAC, 7 kW	2 full, 1 split	B
3	78484-004	Heating element, 200 VAC, 7 kW	2 full, 1 split	B
3	78484-005	Heating element, 220 VAC, 7 kW	2 full, 1 split	B
3	78484-006	Heating element, 240 VAC, 7 kW	2 full, 1 split	B
4	74725	Element lift handle	1	B
5	74916	Full vat rack	1/vat	B
6	14984	Temperature probe kit (SN: April 2016 and before)	1/vat	A
6	140099	Temperature sensor probe kit (SN: April 2016 and after)	1	A
7*	84921	Front oil diverter	2/vat	
8*	SC01-280	Front oil diverter screw	4/vat	

Recommended Parts: A = Truck Stock; B = Dist. Stock
*** = Not Shown**



For the most up-to-date parts information, visit
<https://parts.hennypennyhelp.com>.

Full Vat Element Assembly Detail





For the most up-to-date parts information, visit
<https://parts.hennypennyhelp.com>.

Item No.	Part No.	Description	Qty.	Stocking Level
1	SC01-076	Screw, #8-32 X 1/4, CT, THD, SS	2/vat	
2	75819	Front capillary plate	1/vat	
3	75818	Rear capillary plate	1/vat	
4	SC01-074	Screw, #10-32 X 1/2, CT THD, SS	4/vat	
5	74209	Element pivot housing	1/vat	
6	82459	Element pivot housing, right full	1/vat	
7	78499	Spreader strap	6/vat	
8	N/A	High limit reset kit	1/vat	
8	77285	- High limit - 425	1/vat	
8	77147	- Stud assembly pivot hi limit bracket	1/vat	
8	96320	- Weld assembly hi limit reset pin	1/vat	
8	96322	- Weld assembly hi limit mounting bracket	1/vat	
8	150329	- Spring-.043 X .200 X .750	1/vat	
8	RR01-007	- Ring-retaining 3/16 shaft	1/vat	
9	78896	Ground and wire mounting stud assembly	1/vat	
10	85735	Spreader strap, right (EEE-14X - SN: BK0912003 & after)	2/vat	
11	85736	Spreader strap, left (EEE-14X - SN: BK0912003 & after)	2/vat	
12	76964	Pivot hub gasket	2/vat	B



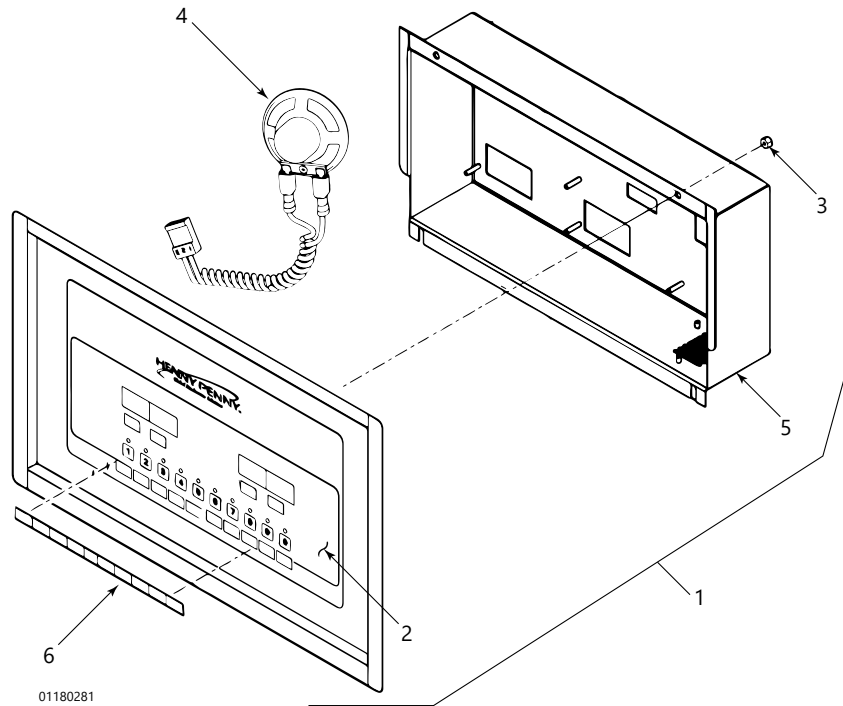
For the most up-to-date parts information, visit
<https://parts.hennypennyhelp.com>.

Item No.	Part No.	Description	Qty.	Stocking Level
13*	78614	Front high limit guard, full	1/vat	
14*	78615	Rear high limit guard, full	1/vat	
15*	78494	Spreader weld assembly, full	2/vat	
16*	SC04-003	Screw, #8-32 X 3/8, CT, SS	12/vat	
17*	OR01-004	O-ring (fits on element against items 5 & 6)	2/element	A
Recommended Parts: A = Truck Stock; B = Dist. Stock * = Not Shown				



For the most up-to-date parts information, visit <https://parts.hennypennyhelp.com>.

Control Panel Assembly



01180281

Item No.	Part No.	Description	Qty.	Stocking Level
1	140402	SmartTouch automatic drain control kit with thumb drive, GM	1 /control	B
1	140467	Wendy's control kit, manual drain	1 /control	B
2	81354	Control decal	1 /control	
3	NS02-005	Hex keps nut, 6-32 UNC	23 /control	
4	26974	Speaker assembly	1 /control	A



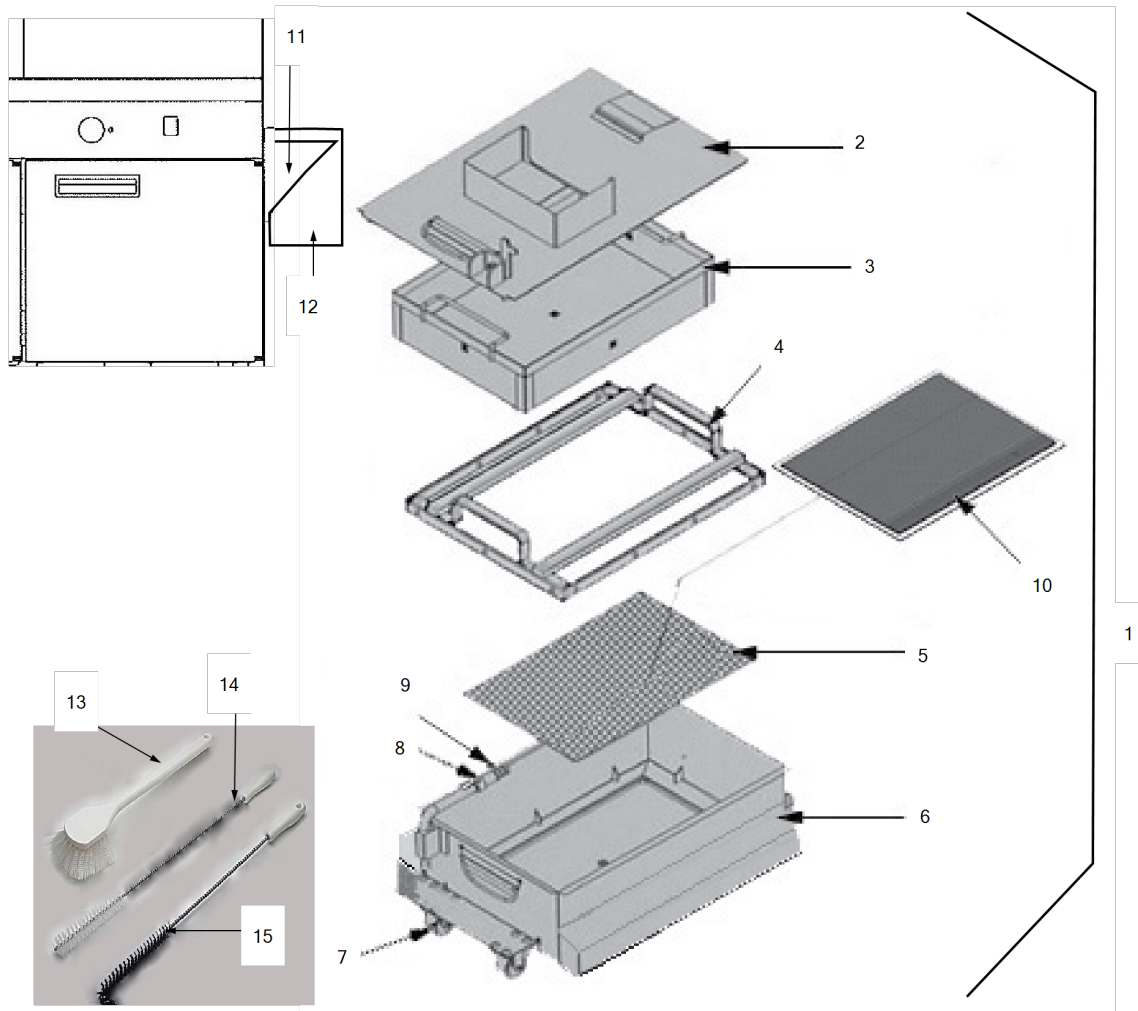
For the most up-to-date parts information, visit
<https://parts.hennypennyhelp.com>.

Item No.	Part No.	Description	Qty.	Stocking Level
5	82085	Control panel cover stud assembly	1 /control	
6	86293	Menu card, Wendy's	1 /control	
7 *	MS01-571	Terminal extractor tool	1	A
8*	82326	Menu card tool	1	
Recommended Parts: A = Truck Stock; B = Dist. Stock * = Not Shown / CTRL = Control x : EEE 141 = 1; EEE 142 = 2; EEE 143 = 3; EEE 144 = 4				



For the most up-to-date parts information, visit <https://parts.hennypennyhelp.com>.

Filter Pan Assembly, Brushes, and Accessory Holder



Item No.	Part No.	Description	Qty.	Stocking Level
1	87609	Filter pan assembly, EEE 151	1	
1	77531	Filter pan assembly, EEE 152	1	
1	91130	Wide filter pan assembly, EEE 153, 154	1	
2	-82674	- Filter pan cover, EEE 151	1	



For the most up-to-date parts information, visit
<https://parts.hennypennyhelp.com>.

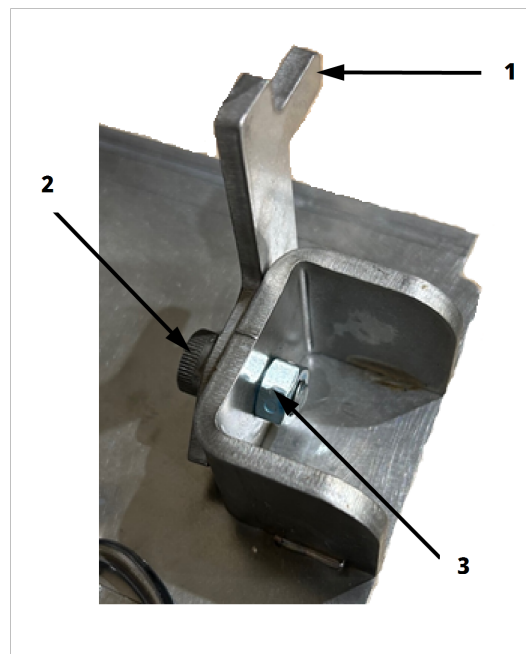
Item No.	Part No.	Description	Qty.	Stocking Level
2	-82673	- Filter pan cover, EEE 152, 153, 154	1	
3	-163322	- Crumb catcher	1	
4	-76179	- Filter weight, EEE 151, 152	1	
4		- Filter weight, EEE 153, 154	1	
5	-76375	- Filter screen, EEE 151, 152	1	
5	-89420	- Filter screen, EEE 153, 154	1	
6	-82672	- Wide filter pan with casters, EEE 151, 152	1	
6	-93128	- Wide filter pan with casters, EEE 153, 154	1	
7	-52487	- Caster, EEE 151, 152	4	
7	-19004	- Caster, EEE 153, 154	4	
7	-SC01-009	- Caster screw, 1/4-20	16	
7	NS02-002	- Caster keps nut, 1/4-20, EEE 151, 152	16	
8	-74573	-Pickup tube adapter, EEE 151, 152	1	
8	-85397	-Pickup tube adapter, EEG, EEE 153, 154	1	
9	74189	-Pickup tube O-ring, EEE 151, 152, (qty 10)	A/R	
9	-85401	-Pickup tube O-ring, EEE 153, 154, (qty 10)	3	A
10	-	Filter pad/envelope (ordered through Wendy's supplier)	1	
11	83790	Accessory holder bracket	1	
12	83791	Accessory holder	1	
13	12116	White long handle brush	1	B



For the most up-to-date parts information, visit
<https://parts.hennypennyhelp.com>.

Item No.	Part No.	Description	Qty.	Stocking Level
14	12112	Straight white brush	1	B
15	12126	Black L-shaped brush	1	B
Recommended Parts: A = Truck Stock; B = Dist. Stock * = Not Shown				

Filter Pan Lid Latch Assembly



Item No.	Part No.	Description	Qty.	Stocking Level
1	76575	Pan lid latch	1	
2	SC06-073	Pan lid latch bolt	1	
3	NS03-066	Pan lid latch nut	1	



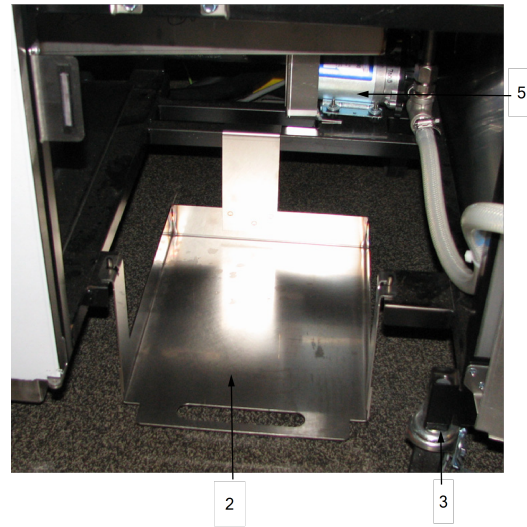
For the most up-to-date parts information, visit
<https://parts.hennypennyhelp.com>.

Item No.	Part No.	Description	Qty.	Stocking Level
4	WA01-035	Pan lid latch washer	1	
Recommended Parts: A = Truck Stock; B = Dist. Stock				



For the most up-to-date parts information, visit <https://parts.hennypennyhelp.com>.

BIB System



Item No.	Part No.	Description	Qty.	Stocking Level
1	154068	EEE 152,153,154 BIB tube and quick disconnect assembly	1	
1	181653	EEE 152,153,154 BIB tube and quick disconnect assembly, CE	1	
1*	FP05-017	- Quick disconnect, male, 3/8 inch	1	A
1*	MS01-561	-- O-ring, 3/8 inch	1	A
2	85966	BIB shelf weld assembly	1	
3	81513	Hose assembly	1	B
3*	-FP05-016	- Quick disconnect, female, 1/2 inch	1	A
3*	-MS01-297	-Hose clamp, SS	2	



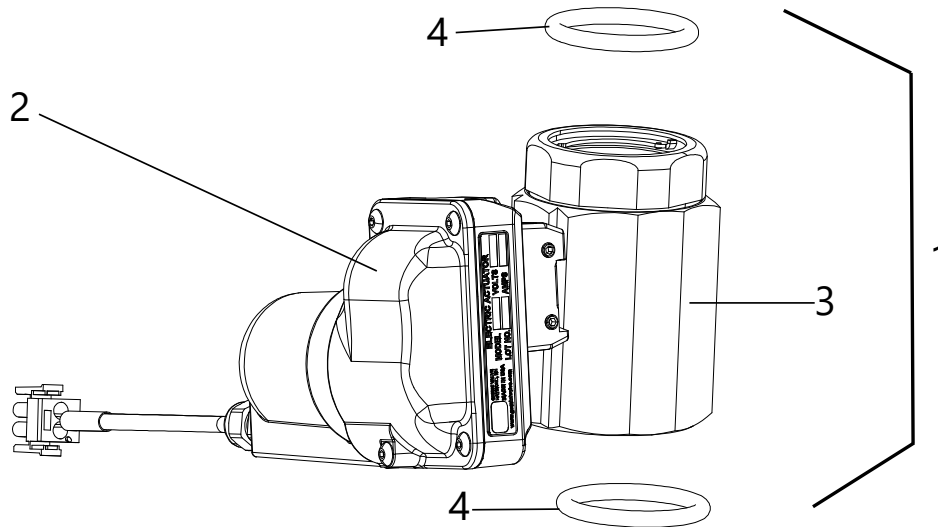
For the most up-to-date parts information, visit
<https://parts.hennypennyhelp.com>.

Item No.	Part No.	Description	Qty.	Stocking Level
3*	-FP01-228	-Barbed fitting, 1/2 in. hose, 3/8 NPT, nylon	1	
5		JIB/BIB pump, See Right Side Panel Removed		
Recommended Parts: A = Truck Stock; B = Dist. Stock * = Not Shown				



For the most up-to-date parts information, visit
<https://parts.hennypennyhelp.com>.

SmartTouch Drain Valve Assembly



Item No.	Part No.	Description	Qty.	Stocking Level
1		Drain valve and actuator assembly (not covered under warranty)		
2	86157	Drain valve actuator (only)	1	B
3	140244	Drain valve (includes O-ring)	1	B
4	84415	O-ring, 326	2	B
5*	76948	Drain tube to trough o-ring	1/vat	
Recommended Parts: A = Truck Stock; B = Dist. Stock * = Not Shown				



For the most up-to-date parts information, visit
<https://parts.hennypennyhelp.com>.

Manual Drain Valve

Item No.	Part No.	Description	Qty.	Stocking Level
1	79590	Drain valve, 1 1/4 NPT X 1 1/4 NPT	1 /vat	B
2	81573	Pull handle pivot stop	1 /vat	
3	73994	Drain handle pivot	1 /vat	
4	78591	Bushing actuator pivot	1 /vat	
5	RR01-004	Retaining ring, 1/2 inch	1 /vat	
6	NS03-103	Castle nut, 1/2-20 UNF, 18-8 SS	1 /vat	
7	17255	Cotter pin, SS	1 /vat	
8	162197	Drain rod weld assembly (units built after Oct 2016)	1 /vat	
9	NS01-020	Hex nut, 3/8-24 UNF (units built after Oct 2016)	1 /vat	
10	160779	Drain switch linkage weld assembly (units built after Oct 2016)	1 /vat	
11	PN01-012	Clevis pin, 1/4 X 1 inch, SS	1 /vat	
12	PN01-001	Cotter pin, 3/32 X 1 1/4 SS	1 /vat	
13	16101	Spindle knob, black	1 /vat	
14A	18227	Microswitch, 250°F (units built after Oct 2016)	1 /vat	A
14B	50764	Rigid lever microswitch (units built before Oct. 2016)	1 /vat	A



For the most up-to-date parts information, visit
<https://parts.hennypennyhelp.com>.

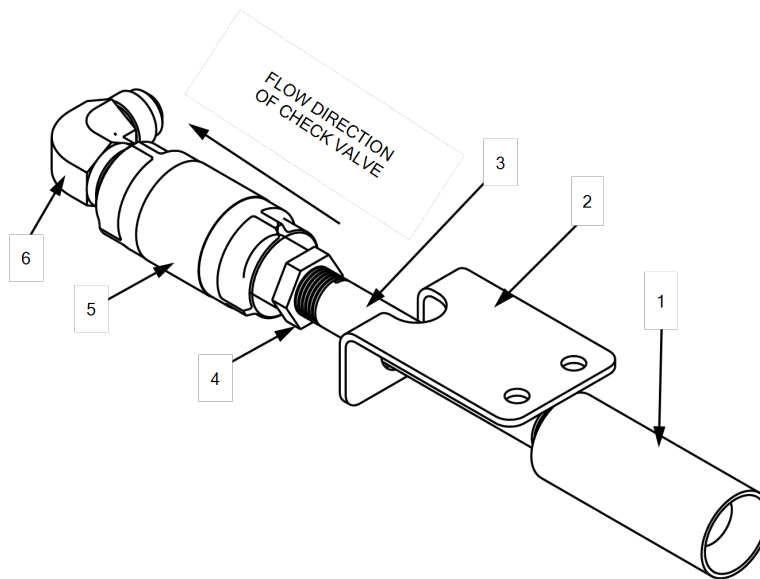
Item No.	Part No.	Description	Qty.	Stocking Level
15*	140176	Drain valve, castle nut kit, full or right split only	A/R	
16*	140479	Pull handle replacement kit (converts to after Oct. 2016 design)	A/R	
Recommended Parts: A = Truck Stock; B = Dist. Stock * = Not Shown A/R = As Required				



For the most up-to-date parts information, visit
<https://parts.hennypennyhelp.com>.

Suction Tube Assembly

EEE 151



Item No.	Part No.	Description	Qty.	Stocking Level
1	77248	Tube end adapter	1	
2	77259	Plug and play bracket	1	
3	FP02-087	Nipple, 3/8 NPT x 5 in	1	
4	FP01-029	Reducer bushing, 1/2 NPT male to 3/8 NPT female	1	
5	74469	Check Valve, 1/2 in, 1 Psi	1	
6	FP01-205	Elbow, 1/2 in NPT male	1	
7	77523-008	Flex Line, 7 in, Diameter 1/2 in	1	
Recommended Parts: A = Truck Stock; B = Dist. Stock * = Not Shown				



For the most up-to-date parts information, visit
<https://parts.hennypennyhelp.com>.

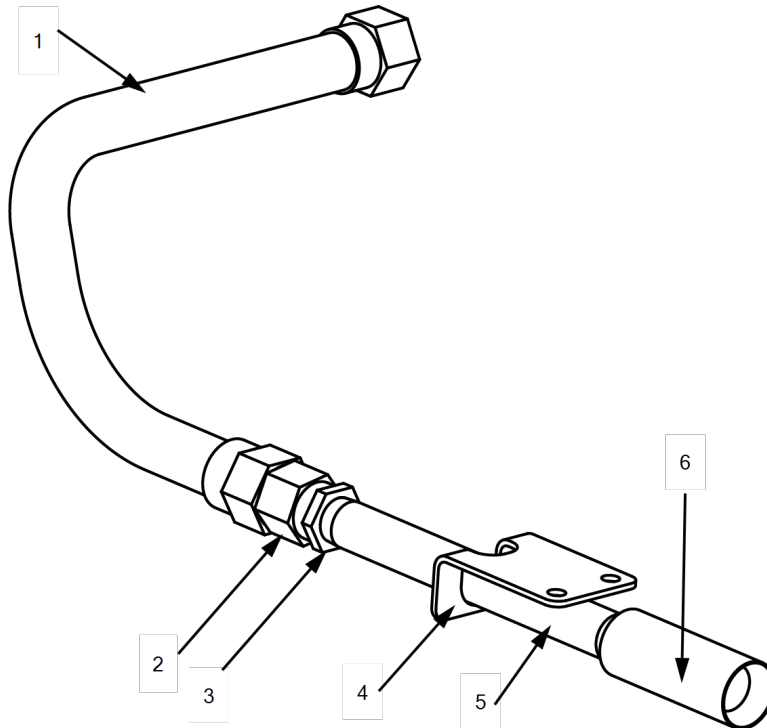
EEE 152

Item No.	Part No.	Description	Qty.	Stocking Level
1	77248	Tube end adapter	1	
2	77259	Plug and play bracket	1	
3	FP01-204	Nipple, 3/8 NPT x 6 in	1	
4	FP01-089	Reducer bushing, 3/4 male to 1/2 female	1	
5	FP01-029	Reducer bushing, 1/2 NPT male to 3/8 NPT female	1	
6	FP01-233	Fitting, 3/4 NPT female to 1-1/8	1	
7	85458-001	Flex Line, 18 in, Diameter 3/4 in	1	
Recommended Parts: A = Truck Stock; B = Dist. Stock * = Not Shown				



For the most up-to-date parts information, visit <https://parts.hennypennyhelp.com>.

EEE 153 and 154



Item No.	Part No.	Description	Qty.	Stocking Level
1	85458-001	Flex Line, 18 in, Diameter 3/4 in	1	
2	FP01-233	Fitting, 3/4 NPT female to 1-1/8	1	
3	FP01-089	Reducer bushing, 3/4 male to 1/2 female	1	
4	85394	Plug and play bracket	1	
5	FP02-065	Nipple, 1/2 NPT x 8 in	1	
6	85395	Tube Adapter, 3/4 female	1	

Recommended Parts: A = Truck Stock; B = Dist. Stock
*** = Not Shown**



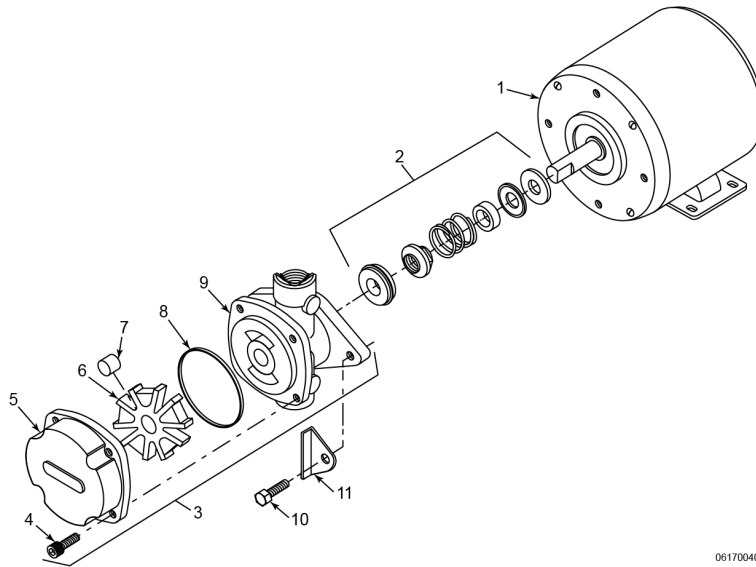
For the most up-to-date parts information, visit
<https://parts.hennypennyhelp.com>.

Filter Pump Motor Assemblies

Flange Mount Filter Pump Motor Assembly

EEE 151 - Used on All Units

EEE 153, 154 - Units Manufactured Before September 2017



06170040

Item No.	Part No.	Description	Qty.	Stocking Level
1	67583	Motor, 1/2 HP, 60 Hz	1	A
2	17476	Seal kit	1	A
3	162497	8 GPM pump assembly	1	B
4	SC01-132	- Pump cover screw	1	
5		Pump cover not sold separately	1	
6	162500	- Pump rotor, Haight only	1	
7	162501	- Pump roller (set of 5), Haight only	1	A



For the most up-to-date parts information, visit
<https://parts.hennypennyhelp.com>.

Item No.	Part No.	Description	Qty.	Stocking Level
8	162498	- O-ring	1	B
9	N/A	Pump body not sold separately. Use 171168 .		
10	SC01-026	Pump motor shield screw	1	
11	83142	Pump motor shield, CE	1	

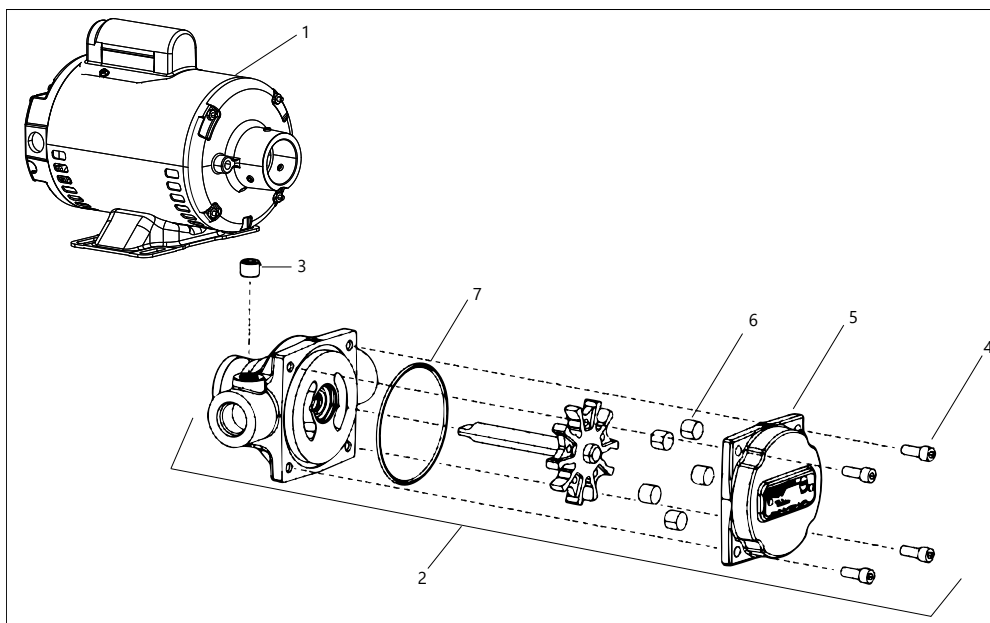
Recommended Parts: A = Truck Stock; B = Dist. Stock

Hub Mount Filter Pump Motor Assembly

Not Included in Original Manufactured Assembly

EEE 151 - Not Used on Units

EEE 152, 153, 154 - Units Manufactured After September 2017



NOTICE - Do not separate the filter pump rotor and body. Separating the rotor and body will cause permanent pump shaft seal damage.



For the most up-to-date parts information, visit
<https://parts.hennypennyhelp.com>.

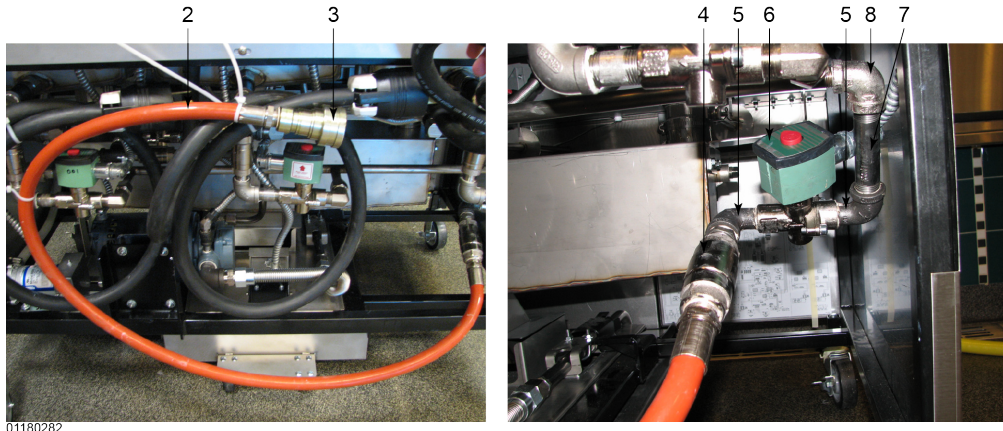
Item No.	Part No.	Description	Qty.	Stocking Level
1	164184-001	1/2 HP / 60Hz motor	1	A
1	164184-002	1/2 HP / 50Hz motor, CE	1	A
2	164185	8 GPM hub mounted filter pump assembly	1	A
3	-FP01-020	Hex socket plug, 1/4 NPT	1	
4	-SC01-132	Pump cover screw (qty. 50)	A/R	
5		Pump cover not sold separately		
6	-162501	Pump roller kit (5 PC), 8 GPM	1	A
7	-162498	Pump cover o-ring	1	A
8*	140399	Filter pump conversion hardware	1	
9*	168510	Motor shield, CE	1	
11*	FP01-342	Outlet reducer, SAE 12 and SAE 10	1	
12*	FP01-343	Outlet elbow, SAE 10	1	
13*	-173418-001	Fitting o-ring, SAE #6, 9/16-18 UNF	1	
13*	-173418-002	Fitting o-ring, SAE #8, 3/4-16 UNF	1	
13*	-173418-004	Fitting o-ring, SAE #12, 1 1/16-12 UNF	1	
Recommended Parts: A = Truck Stock; B = Dist. Stock				

NOTE: Prime retrofit filter pump and motor fittings cannot be used with hub mounted filter pump and motor assembly. Mounting plate holes will not align.



For the most up-to-date parts information, visit <https://parts.hennypennyhelp.com>.

Bulk Dispose Assembly



Item No.	Part No.	Description	Qty.	Stocking Level
1 *	140053	Bulk dispose retrofit kit	1	
1*	140611	Bulk fill kit	1	
2	67662	- Direct connect hose assembly	1	B
3	21612	- Female disconnect	1	B
4	21800	- Check valve, 3/4	1	A
5	FP01-127	1/2 x 1/2, 90° street elbow	2	
6	154048	Solenoid valve, 220-240VAC, 1/2 NPT	1	A
7	FP02-052	Nipple, 1/2 X 4 inch length, BI	1	
8	FP01-001	Reducing elbow, 1/2 to 3/8	1	



For the most up-to-date parts information, visit
<https://parts.hennypennyhelp.com>.

Item No.	Part No.	Description	Qty.	Stocking Level
9 *	21611	Male disconnect	1	B
Recommended Parts: A = Truck Stock; B = Dist. Stock * = Not Shown				