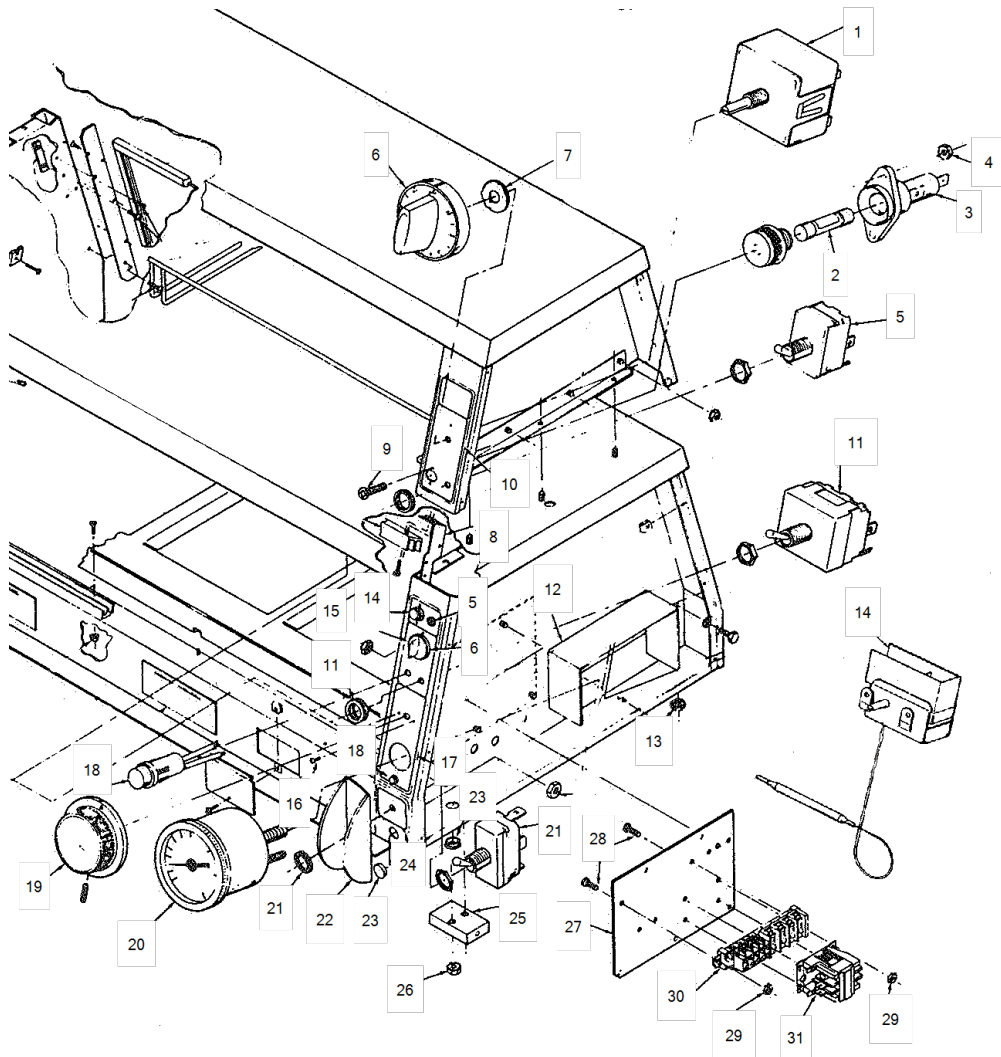




For the most up-to-date parts information, visit
<https://parts.hennypennyhelp.com>.

Electrical Assembly



Item No.	Part No.	Description	Qty.	Stocking Level
1	23560	Infinite regulator, 240 VAC	2	A
2	EF02-007	Fuse, 15 amp SN: JB0705002 & below)	2	A
3	EF02-006	Fuse holder (SN: JB0705002 & below)	2	A



For the most up-to-date parts information, visit
<https://parts.hennypennyhelp.com>.

Item No.	Part No.	Description	Qty.	Stocking Level
3	EF02-125	Push button reset breaker (SN: JB0705003 & above)	2	A
4	NS02-005	Hex keps nut, #6-32	1	
5	70046	Power switch	1	A
5	176656	Power switch, CE	1	A
6	22046	Infinite switch knob	2	
7	EF02-176	Infinite switch nut	2	
8	23294	Bracket weld assembly, left	2	
9	SC01-010	Screw, #6-32 x 1/4, CT Crosstip screw-driver required	4	
10	22612	Control panel decal	1	
11	22604	Power switch assembly	1	A
12	22667	Splash guard	1	
13	NS02-002	Hex keps nut, 1/4-20	*	
14	64103	Thermostat control	1	
15	FP01-013	Bulkhead adapter	1	
16	SC01-023	Screw, #6-32 x 1/4, CT Crosstip screw-driver required	2	
17	22602	Bottom control decal	1	
18	16624	Indicator light, red	2	A
18	54085	Indicator light, green, CE	2	A
19	16731	Dual thermostat knob	1	



For the most up-to-date parts information, visit
<https://parts.hennypennyhelp.com>.

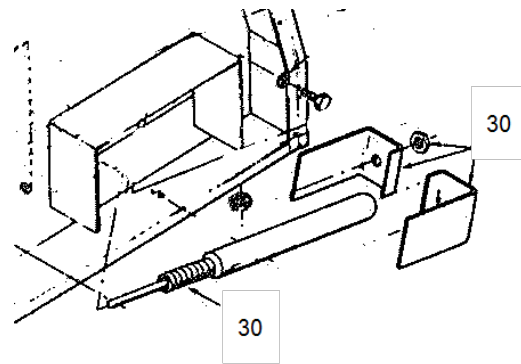
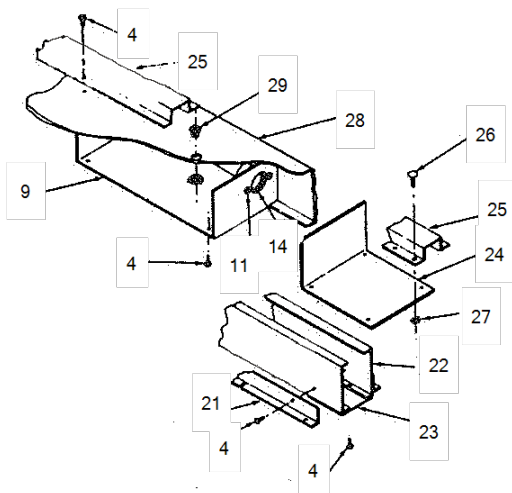
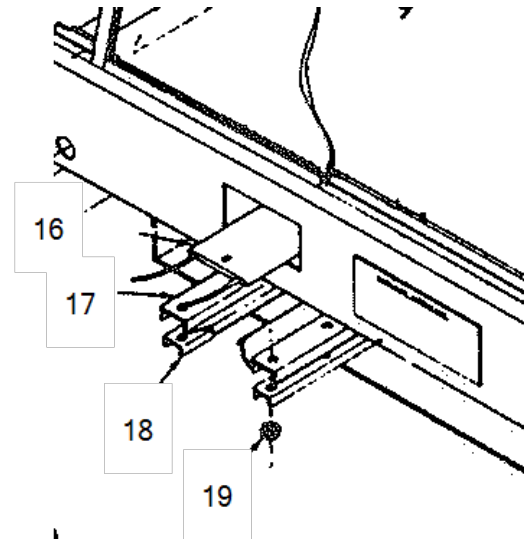
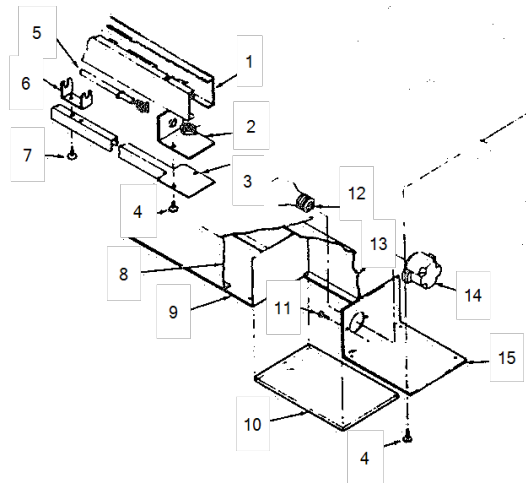
Item No.	Part No.	Description	Qty.	Stocking Level
20	14250	Thermometer	1	A
21	22673	3 position switch	1	A
22	15302	Switch guard	1	
23	PL01-006	Plug, diameter 1 and 1/8 in	1	
24	22674	Water control switch decal	1	
25	22588	Mounting block	1	
26	NS02-006	Hex keps nut, #10-24	*	
27	66670	Electric component plate	1	
28	SC01-002	Screw, #10-32 x 1/2, CT Crosstip screw-driver required	2	
29	22607	Terminal block assembly	1	
30	NS02-001	Hex keps nut, #10-32	*	
31	19405	Contactactor	1	A
32*	34528	Float switch relay, 120 VAC	1	A
32*	30723	Float switch relay, 240 VAC	1	A

**Recommended Parts: A = Truck Stock; B = Dist. Stock
 * = Not Shown**



For the most up-to-date parts information, visit <https://parts.hennypennyhelp.com>.

Heat Assembly



Item No.	Part No.	Description	Qty.	Stocking Level
1	22550	Heater housing reflector	1	
2	22536	Terminal cover	4	



For the most up-to-date parts information, visit
<https://parts.hennypennyhelp.com>.

Item No.	Part No.	Description	Qty.	Stocking Level
3	22578	Heater deflector	2	
4	SC02-023	Screw, #6-32 x 1/4, CT Crosstip screw-driver required	6	
5	22644	Radiant heater, lower, 230 VAC, 1000 watt	1	B
5	22645	Radiant heater, lower, 208 VAC, 1000 watt	1	B
5	22646	Radiant heater, upper, 230 VAC, 1000 watt	1	B
5	22647	Radiant heater, upper, 208 VAC, 1000 watt	1	B
6	22629	Heater support bracket	2	
7	SC02-016	Screw, #8-AB x 1/2 in, CT Crosstip screw-driver required	1	
8	22548	Bottom ceiling panel	1	
9	22542	Lamp socket mounting plate	8	
10	22679	Glass	12	
11	SC01-053	Screw, #8-32 x 1/2 in, CT Crosstip screw-driver required	1	
12	BL01-004	Light bulb, 120 VAC, 60 Watt	12	
12	BL01-005	Light bulb, 240 VAC, 60 Watt, CE	12	
13	22546	Light box side plate	2	
14	28294	Light socket	12	B
14	54041	Light socket, CE	12	B
15	22437	Lamp socket mounting plate	4	
16	22648	Strip heater, 230 VAC, 1000 watt	2	B



For the most up-to-date parts information, visit
<https://parts.hennypennyhelp.com>.

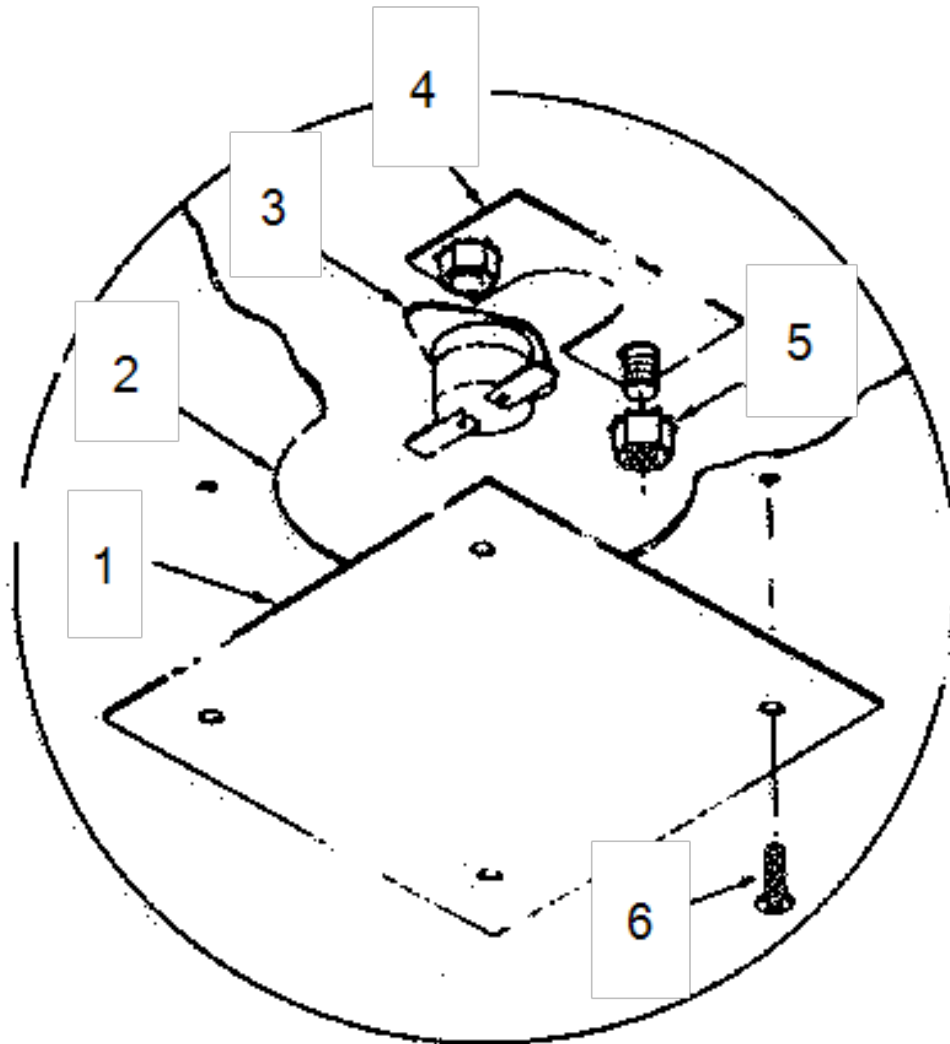
Item No.	Part No.	Description	Qty.	Stocking Level
16	22649	Strip heater, 208 VAC, 1000 watt	2	B
17	22430	Heater clamp	4	
18	22429	Heater clamp brace	4	
19	NS02-002	Hex keps nut, 1/4-20	1	
21	22543	Support glass	2	
22	22549	Upper heater housing	1	
23	22578	Heater deflector	1	
24	22539	Plate cover	4	
25	22544	Hat section	2	
26	SC01-015	Carriage screw, #10-24 x 1/2	1	
27	NS02-006	Hex keps nut, #10-24	1	
28	22547	Top ceiling panel	1	
29	EF01-011	Chase nipple, 3/8 in	8	
30	14250	Thermometer	1	A

Recommended Parts: A = Truck Stock; B = Dist. Stock
*** = Not Shown**



For the most up-to-date parts information, visit
<https://parts.hennypennyhelp.com>.

High Limit Assembly



Item No.	Part No.	Description	Qty.	Stocking Level
1	22509	High limit access plate	1	
2	22526	Bottom pan	1	
3	22601	High limit switch	1	A



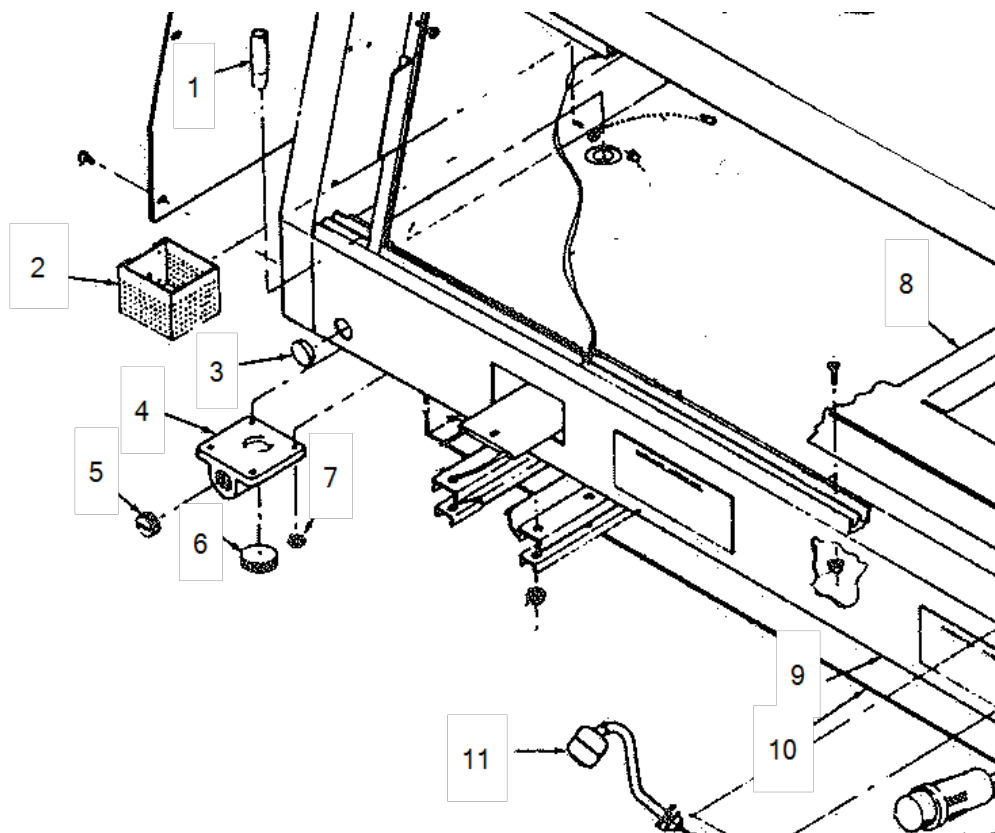
For the most up-to-date parts information, visit
<https://parts.hennypennyhelp.com>.

Item No.	Part No.	Description	Qty.	Stocking Level
4	22514	High limit clamp bracket	1	
5	NS02-002	Hex keps nut, 1/4-20	*	
6	SC02-023	Screw, #6-32 x 1/4, CT Crosstip screw-driver required	*	
Recommended Parts: A = Truck Stock; B = Dist. Stock * = Not Shown				



For the most up-to-date parts information, visit
<https://parts.hennypennyhelp.com>.

Water Assembly



Item No.	Part No.	Description	Qty.	Stocking Level
1	28071	Overflow tube	1	A
2	67852	Screen assembly	1	
3	PL01-006	Plug, diameter 1 and 1/8 in	1	
4	22472	Drain block	1	
5	FP01-009	Plug, 3/4 in, brass	1	
6	FP01-021	Plug, 1 in	1	
7	NS02-006	Hex keps nut, #10-24	1	



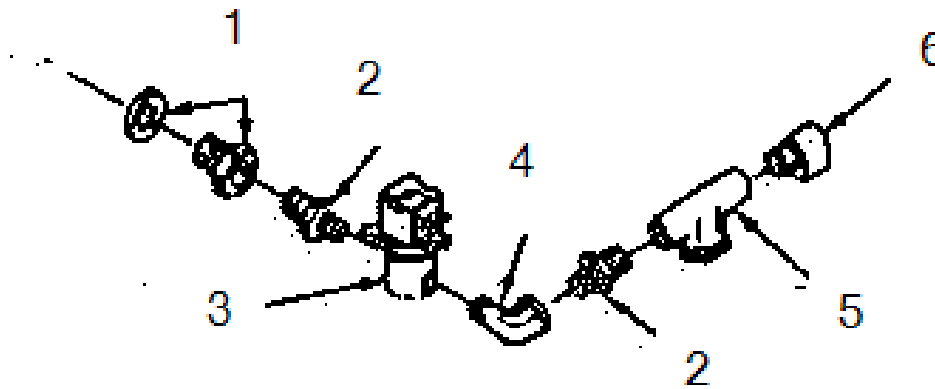
For the most up-to-date parts information, visit
<https://parts.hennypennyhelp.com>.

Item No.	Part No.	Description	Qty.	Stocking Level
8	22879	Pan support	1	
9	22551	Water pan base stud assembly (before 5/87)	1	
9	69699	Water pan base w/o solid doors, CE	1	
9	70487	Water pan base stud assembly with solid doors, CE	1	
9	14382	Water pan kit (Domestic - after 5/87) (CE - SN: IR022JB and below)	1	
10	22590	Wire cover	1	
11	14630	Float switch kit, SS Stainless steel	1	A
12*	14751	WRAS Water Regulation Advisory Scheme valve retrofit kit, UK	1	
Recommended Parts: A = Truck Stock; B = Dist. Stock * = Not Shown				



For the most up-to-date parts information, visit
<https://parts.hennypennyhelp.com>.

Solenoid Assembly



Item No.	Part No.	Description	Qty.	Stocking Level
1	FP01-013	Bulkhead adapter	1	
2	FP01-012	Reducing nipple	2	
3	14965	Solenoid valve kit, 120 VAC	1	A
3	14966	Solenoid valve kit, 240VAC, 60Hz & 220 VAC, 50Hz	1	A
3	65174	Solenoid valve, CE (SN: JA0703045 & below)	1	A
3	72117	Solenoid valve, CE (SN: JA0703046 & above)	1	A
4	FP01-014	Elbow, 1/8 in, brass	1	
5	25208	Water strainer	1	



For the most up-to-date parts information, visit
<https://parts.hennypennyhelp.com>.

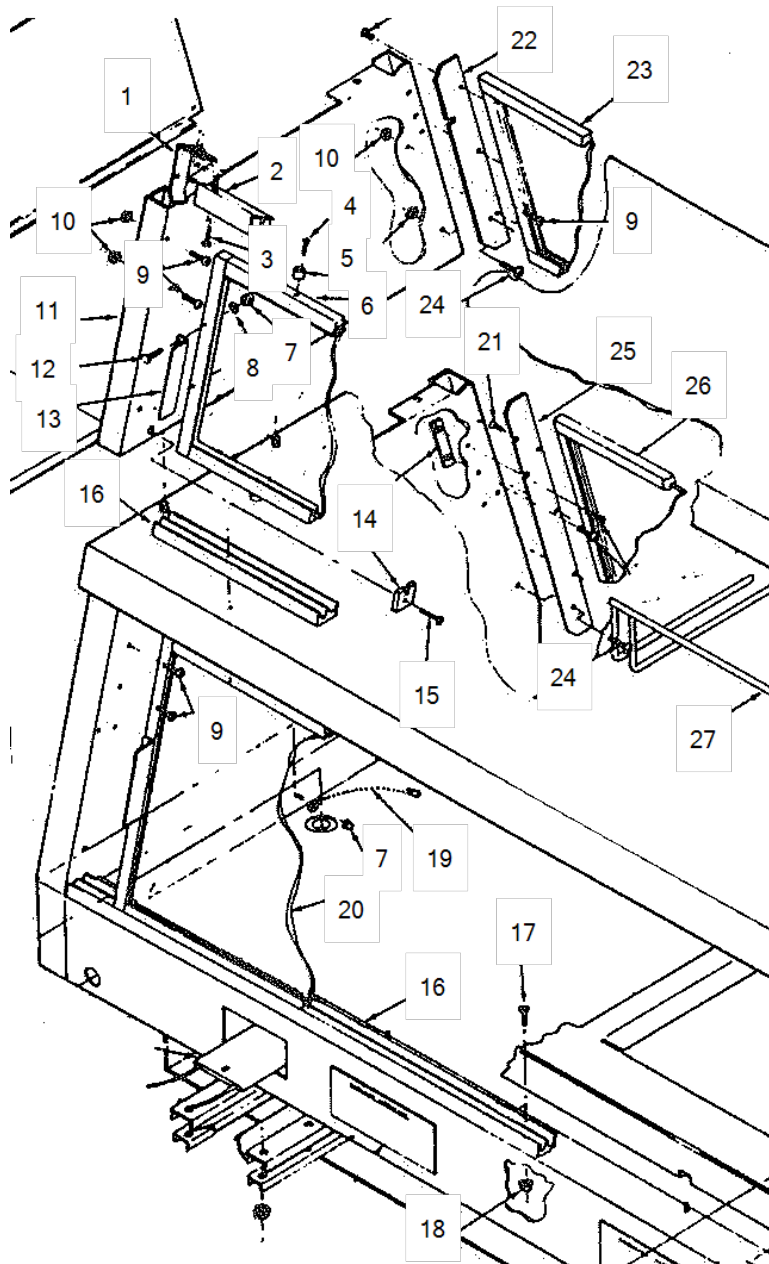
Item No.	Part No.	Description	Qty.	Stocking Level
6	FP05-005	Elbow, 1/4 in NPT National Pipe Tapered to 1/4 in NPT National Pipe Tapered)	1	

Recommended Parts: A = Truck Stock; B = Dist. Stock
 * = Not Shown



For the most up-to-date parts information, visit
<https://parts.hennypennyhelp.com>.

Door Assembly





For the most up-to-date parts information, visit
<https://parts.hennypennyhelp.com>.

Item No.	Part No.	Description	Qty.	Stocking Level
1	23295	Bracket weld assembly, right	2	
2	23555	Door track, upper	2	
3	SC01-034	Screw, #8-32 x 3/8 in, CT Crosstip screw-driver required	1	
4	SC04-001	Screw, #6-32 x 3/8 in, CT Crosstip screw-driver required, type FC	1	
5	22225	Door glide	1	
6	22884	Sliding door assembly, top	2	B
7	NS03-016	Acorn nut, #6-32, B	1	
8	LW01-007	Split ring lockwasher, #6, SS Stainless steel	1	
9	SC01-053	Screw, #8-32 x 1/2 in, CT Crosstip screw-driver required, SS Stainless steel	1	
10	NS02-007	Hex keps nut, #8-32	1	
11	22889	End channel, top, 1-1/2 (SN: IY503JB & above)	1	
11	14403	End channel kit, top, 1-1/2 (SN: IY502JB & below)	1	
12	SC01-082	Screw, #6-32 x 5/8, CT Crosstip screw-driver required	1	
13	23284	Sliding door handle	4	
14	22088	Support rack	2	
15	SC01-075	Screw, #10-32 x 3/4, CT Crosstip screw-driver required	2	



For the most up-to-date parts information, visit
<https://parts.hennypennyhelp.com>.

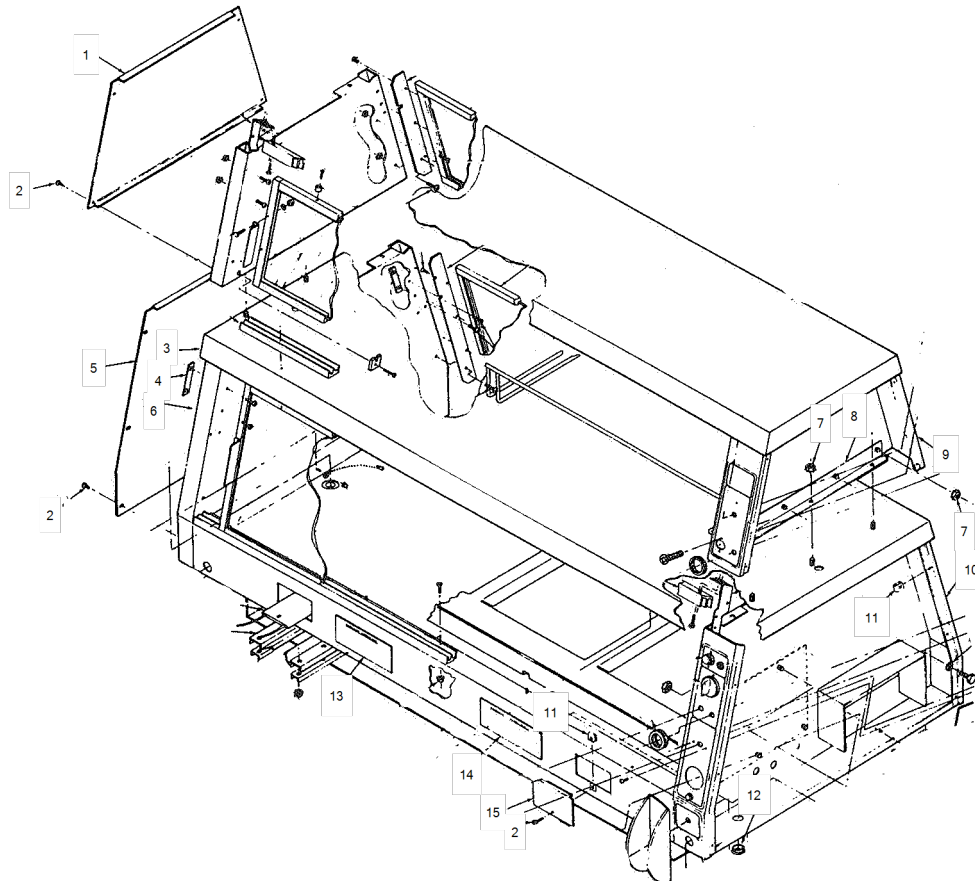
Item No.	Part No.	Description	Qty.	Stocking Level
16	22858	Sliding door track	2	
17	SC01-062	Screw, #6-32 x 3/8, CT Crosstip screw-driver required	1	
18	NS02-005	Hex keps nut, #6-32	1	
19	79107	Retaining chain assembly	1	
20	22885	Sliding door assembly, bottom	2	B
21	SC01-003	Screw, #6-32 x 3/8, flat head	2	
22	22876	Top plate, right	1	
22 *	22877	Top plate, left	1	
23	22883	Window assembly, top	1	
24	SC01-059	Screw, #1/4-20 x 1/2, truss	4	
25	22875	Mounting bracket, bottom right	1	
25*	22874	Mounting bracket, bottom left	1	
26	22882	Window assembly, bottom	1	
27	22868	Pan top support	1	

Recommended Parts: A = Truck Stock; B = Dist. Stock
*** = Not Shown**



For the most up-to-date parts information, visit
<https://parts.hennypennyhelp.com>.

Frame and Insulation Assembly



Item No.	Part No.	Description	Qty.	Stocking Level
1	22525	Top end panel	2	
2	SC02-023	Screw #8-B x 3/8 in, CT Crosstip screw-driver required	11	
3	22599	Middle shelf sub assembly	1	
4	22669	Nutsert bracket assembly	4	
5	22519	End panel	2	



For the most up-to-date parts information, visit
<https://parts.hennypennyhelp.com>.

Item No.	Part No.	Description	Qty.	Stocking Level
6	22887	Bottom end channel, 1-1/2 (SN: IY503JB & above)	1	
6	14401	Bottom end channel kit, 1-1/2 (SN: IY502JB & below)	1	
7	NS02-001	Hex keps nut, #10-32	1	
8	22508	Upper channel mount angle	2	
9	22891	End channel assembly, top 3-1/2 in (SN: IY503JB & above)	1	
9	14413	End channel assembly kit, top 3-1/2 in (SN: IY503JB & below)	1	
10	22886	End channel assembly, 3-1/2 in (SN: IY503JB & above)	1	
10	14402	End channel assembly kit, 3-1/2 in (SN: IY503JB & below)	1	
11	NS03-017	Nut, #8 U-type chip	2	
12	PL01-006	Plug, diameter 1-1/8 in	3	
13	22617	Cleaning instruction plate	1	
14	22618	Operating instruction plate	1	
15	22589	Heater strip access plate	2	
16*	14627	End channel insulation kit	1	
17*	67816	Side insulation, 4.5 x 24 x 1	1	
18*	67827	Side insulation, 2.5 x 24 x 1	1	
Recommended Parts: A = Truck Stock; B = Dist. Stock * = Not Shown				