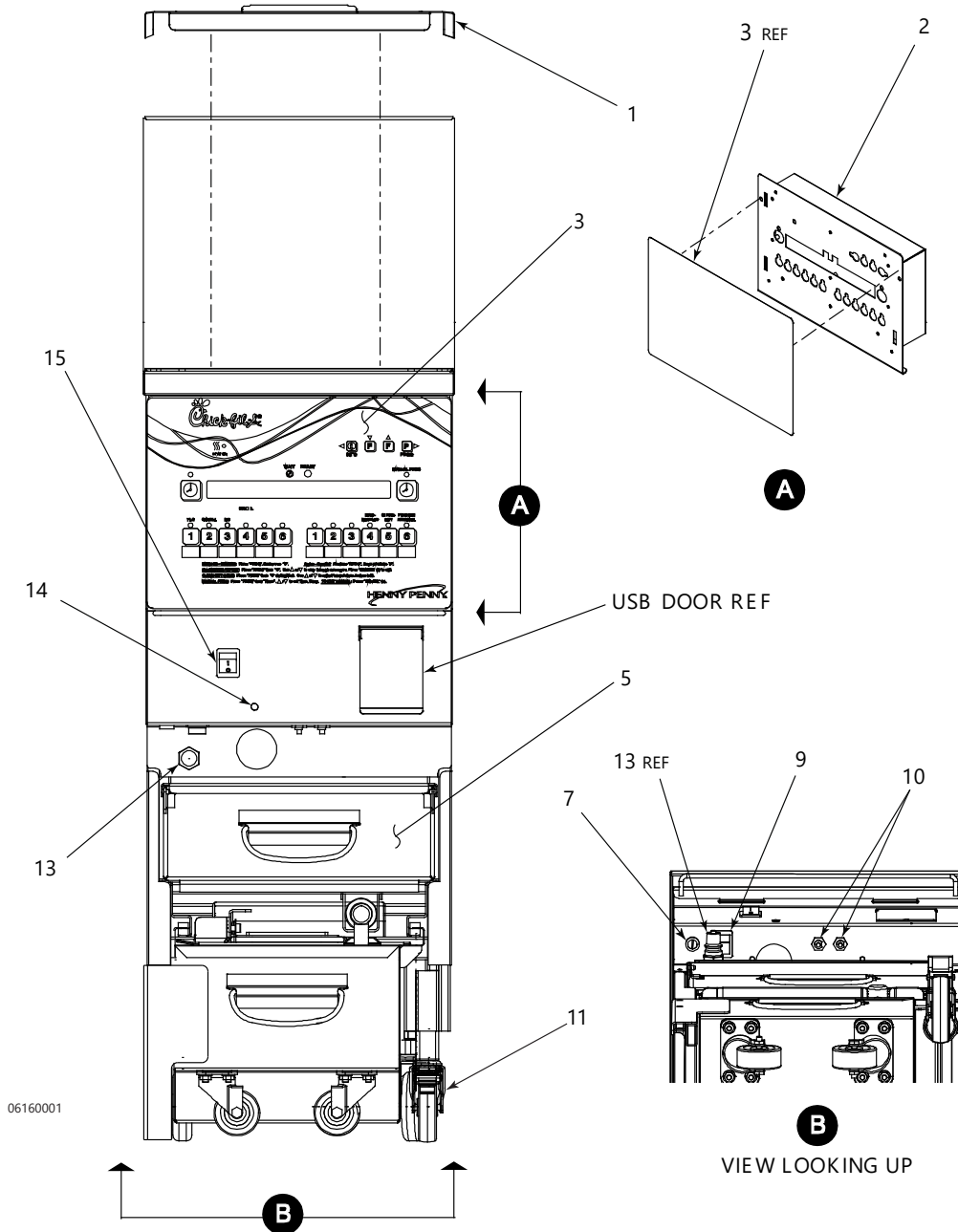




For the most up-to-date parts information, visit
<https://parts.hennypennyhelp.com>.

Front View





For the most up-to-date parts information, visit
<https://parts.hennypennyhelp.com>.

Item No.	Part No.	Description	Qty.	Stocking Level
1	159480	Vat cover	1	
2	140616	Hybrid control assembly with Wi-Fi (Technical Service approval required)	1	
2	140614	- Hybrid control only	1	B
2*	140615	- Wi-Fi kit only (Technical Service approval required)	1	
2*	162596	--12VDC power supply	1	B
2*	170202-001	-- Wi-Fi wiring harness	1	B
2*	140686	-- Wi-Fi enclosure kit	1	B
3	97552	- Control decal	1	
4*	03719	USB flash drive port	1	
5	155308	ATO oil box assembly	1	
6*	175860	O-ring Service Pack (Qty. 12)	1	A
7	EF02-104	250V, 20A fuse holder	1	A
8*	FA52-005	0.5 AMP, time delay fuse	1	A
9	84987	High-limit reset switch, N/O (Before 12/2020)	1	A
9	157360	High-limit reset switch, N/C (After 12/2020)	1	A
10	EF02-125	Push-button breaker reset	2	A
11	156263	3 in. toe lock caster	1	B



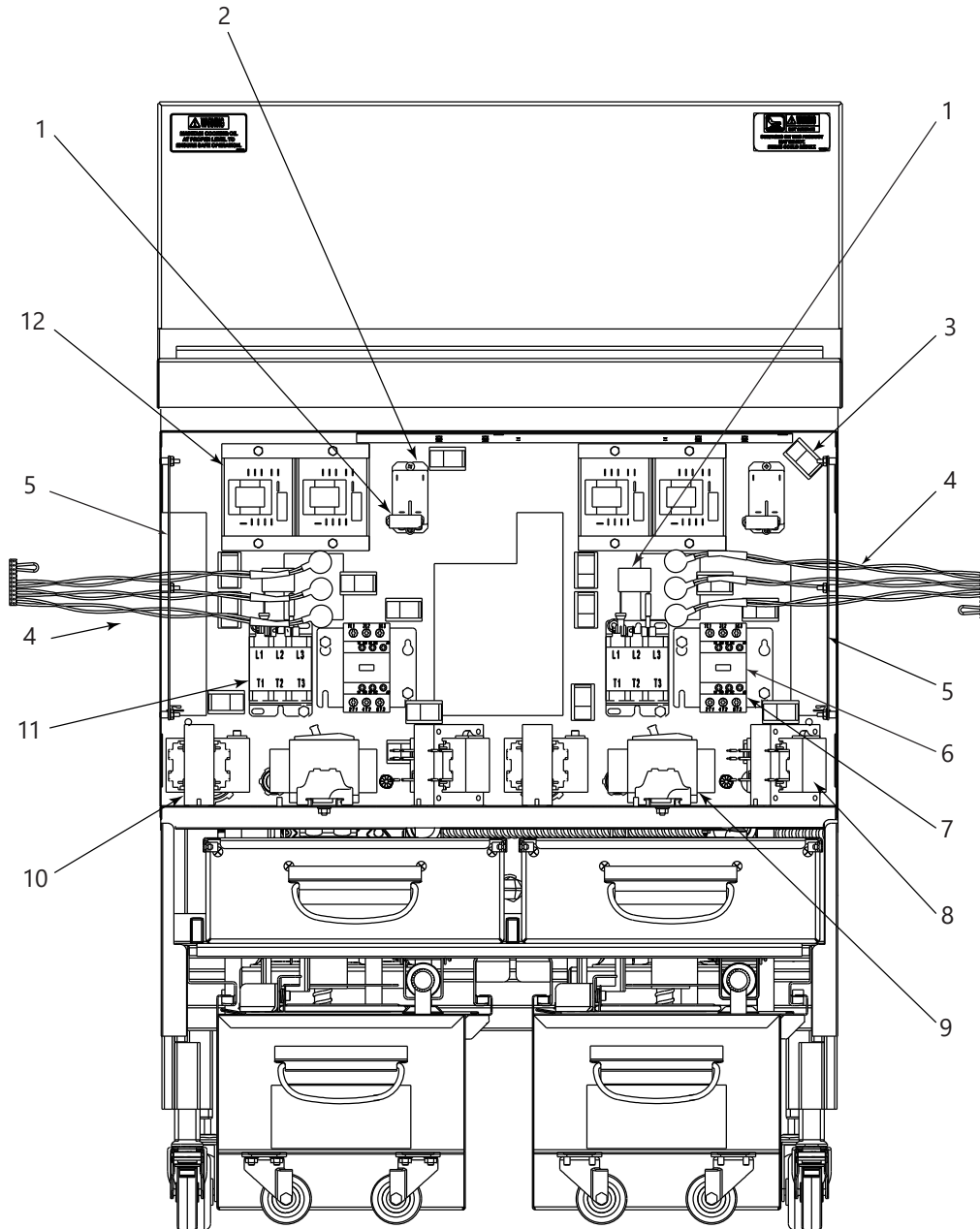
For the most up-to-date parts information, visit
<https://parts.hennypennyhelp.com>.

Item No.	Part No.	Description	Qty.	Stocking Level
12*	17630	3 in. swivel stem caster	2	B
13	17334	Rinse hose male disconnect	1	B
14	81980	5MM blue LED	1	B
15	52224	Covered power switch	1	A
16	64120	AMP sensor board	1	
17	175227	Speaker service pack	1	A
18*	140438	Hinge kit	1	
Recommended Parts: A = Truck Stock; B = Dist. Stock * = Not Shown				



For the most up-to-date parts information, visit
<https://parts.hennypennyhelp.com>.

Electrical Assembly



06160011

NOTE : Control panel assys, control shroud, and wiring removed for clarity.



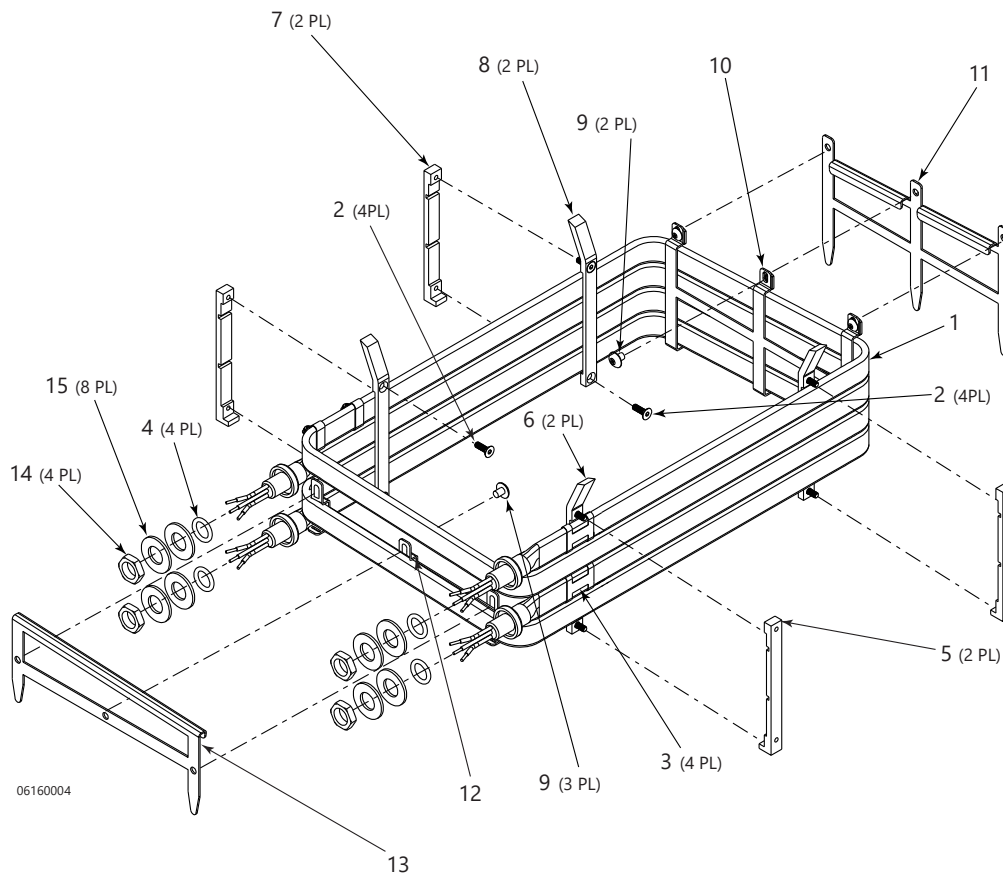
For the most up-to-date parts information, visit
<https://parts.hennypennyhelp.com>.

Item No.	Part No.	Description	Qty.	Stocking Level
1	96023	R/C snubber assembly, w/ terminals	2	
2	ME90-008	12VDC, 30A coil relay	1	A
3	EF02-140	Closing wire clip-snap	8	
4	24347	Current sense assembly	1	A
5	85698	AIF PCB board common	1	A
6	51449	.68 R/C snubber assembly	1	
7	65073	24V heat element contactor	1	A
8	84134	208/240V, 50/60Hz control board transformer	1	A
9	157253	240V, 50A circuit breaker	1	
10	84134	208/240V, 50/60Hz control board transformer	2	A
11	29509	24V primary element contactor kit	1	A
12	175915-002	High-limit control service pack, 230 VAC, 575°F, yellow (Before 12/2020)	2	A
12	175915-006	Service pack - dual high limit control, 100-240 VAC, 575°F (after 12/2020) - Gen 1, yellow sticker - Gen 2, black circle Note: Gen 2 is newest design. - Gen 2 can replace a Gen 1. - Gen 1 cannot replace a Gen 2.	2	A
Recommended Parts: A = Truck Stock; B = Dist. Stock * = Not Shown				



For the most up-to-date parts information, visit
<https://parts.hennypennyhelp.com>.

Element Assembly



Item No.	Part No.	Description	Qty.	Stocking Level
1	140493	Heating element kit	2	B
2	SC01-313	- 10-32 x 5/8 in. screw	8	
3	154736	- High limit clip	2	
4	16855	- O-ring	4	B
5	168450	- RH high limit tap plate spreader	2	
6	174482	- RH high limit angled spreader	2	



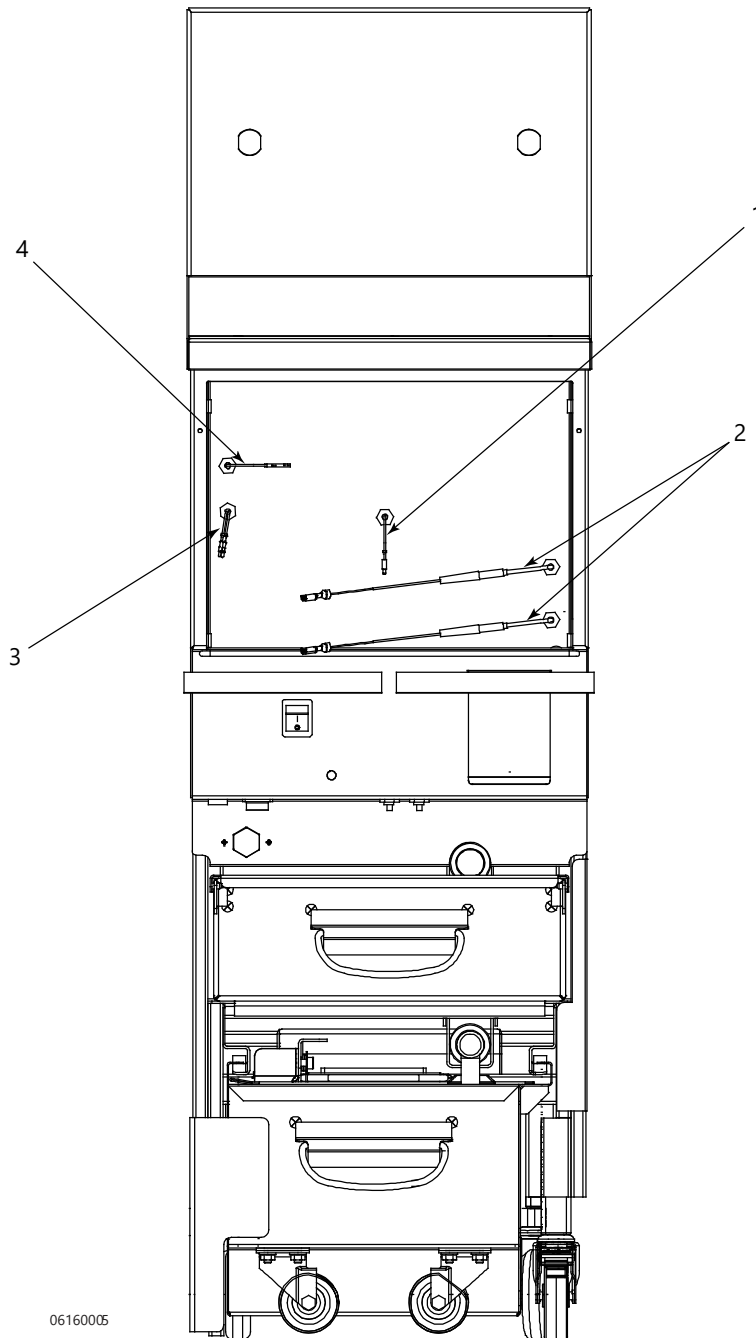
For the most up-to-date parts information, visit
<https://parts.hennypennyhelp.com>.

Item No.	Part No.	Description	Qty.	Stocking Level
7	168450	- LH tap plate spreader	2	
8	173995	- LH angled spreader (service kit new)	2	
9	SC01-178	#10-32 x 14 in. screw (Qty. 50)	6	
10	156579	Rear element guard	1	
11	156586	Rear element guard clamp	1	
12*	156348	Front-back element guard	1	
13	156512	Front element guard clamp	1	
14	NS01-017	5/8 in. x 18 hex nut	4	
15	WA01-005	5/8 in. type A-series washer	8	
Recommended Parts: A = Truck Stock; B = Dist. Stock * = Not Shown				



For the most up-to-date parts information, visit
<https://parts.hennypennyhelp.com>.

Probe Assembly



NOTE: Control panel assy and components behind removed for clarity.



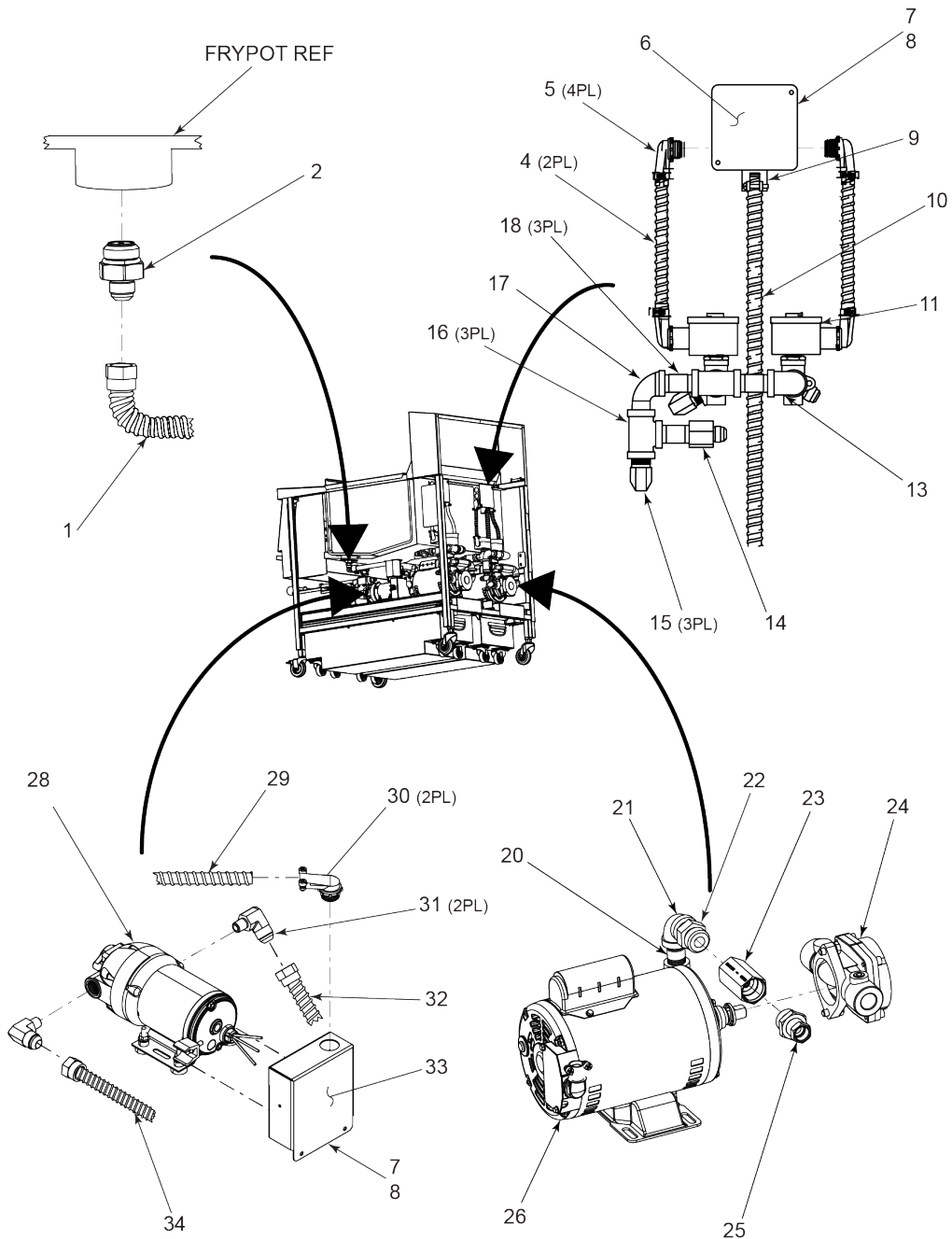
For the most up-to-date parts information, visit
<https://parts.hennypennyhelp.com>.

Item No.	Part No.	Description	Qty.	Stocking Level
1	140491	Temperature probe kit	1	A
2	93968	High-limit single thermocouple (Before 12/2020)	2	A
2	156986	High-limit dual thermocouple (After 12/2020)	2	A
3	140490	Protection probe kit	1	A
4	140492	Level probe kit	1	A
Recommended Parts: A = Truck Stock; B = Dist. Stock * = Not Shown				



For the most up-to-date parts information, visit
<https://parts.hennypennyhelp.com>.

Motor and Plumbing Assembly





For the most up-to-date parts information, visit
<https://parts.hennypennyhelp.com>.

Item No.	Part No.	Description	Qty.	Stocking Level
1	77523-002	18 in. suction tube	2	B
2	158282	12 SAE ORB to 45 flare check valve	2	A
3*	97522	D and F solenoid assembly	1	
4	90960-003	- 3/8 in. x 6.750 in. flex conduit	2	
5	18107	- 3/8 in. x 90 flex conduit connector	4	
6	18102	- Junction box	1	
7*	51449	- Snubber assembly	2	
8*	79525	- Lever nut	2	
9	18104	- Conduit connector	1	
10	90961-006	- 1/2 in. x 32.0 in. flex conduit	1	
11	154048	- 220-250V 1/2 in. NPT solenoid valve	2	A
12*	FP01-023	- 1/2 in. close black nipple	3	
13	FP01-090	- 1/2 in. NPT x 90 female elbow	1	
14	FP01-246	- 1/2 in. NPT female x #8 45 flare connector	1	
15	FP01-205	- 1/2 in. NPT 45 degree flare elbow	3	
16	FP01-112	- 1/2 in. NPT female pipe tee	3	
17	FP01-127	- 1/2 x 1/2, 90° street elbow	1	
18	FP02-018	- 1/2 in. NPR x 2.00 nipple	3	
19*	N/A	208V 1PH 60 Hz. filter pump and motor assembly	-	



For the most up-to-date parts information, visit
<https://parts.hennypennyhelp.com>.

Item No.	Part No.	Description	Qty.	Stocking Level
19*	17476	- Filter pump motor seal kit	1	A
19*	171169	- Filter pump roller kit (set of 5)	1	A
19*	171170	- Filter pump rotor kit	1	B
19*	171171	- Filter pump cap	1	
19*	162498	- Filter pump cap O-ring	1	
20	FP02-062	- 1/2 NPT x 1.75 in. long nipple	1	
21	FP01-090	- 1/2 in. NPT x 90 female elbow	1	
22	FP01-256	- 12 SAE NPT fitting	1	
23	90506-001	- SAE 12, 3 PSI check valve	1	A
24	171168	- 5 GPM filter pump	1	B
25	FP01-283	- #8, 12 SAE, 45 degree flare swivel fitting	1	
26	67583	- 1/2 HP filter pump motor	1	
27*	158980	JIB pump assembly	1	
28	153417-002	- 230V JIB pump	1	A
29	90960-018	- 3/8 in. diameter x 16 in. conduit	2	
30	18107	- 3/8 in x 90 degree flex conduit connector	2	
31	FP01-239	- 3/8 in. NPT x 90 degree, 45 degree flare elbow	2	
32	77523-001	- 12 in. long Dormont suction tube	1	B
33	156588	- JIB assembly cover	1	



For the most up-to-date parts information, visit
<https://parts.hennypennyhelp.com>.

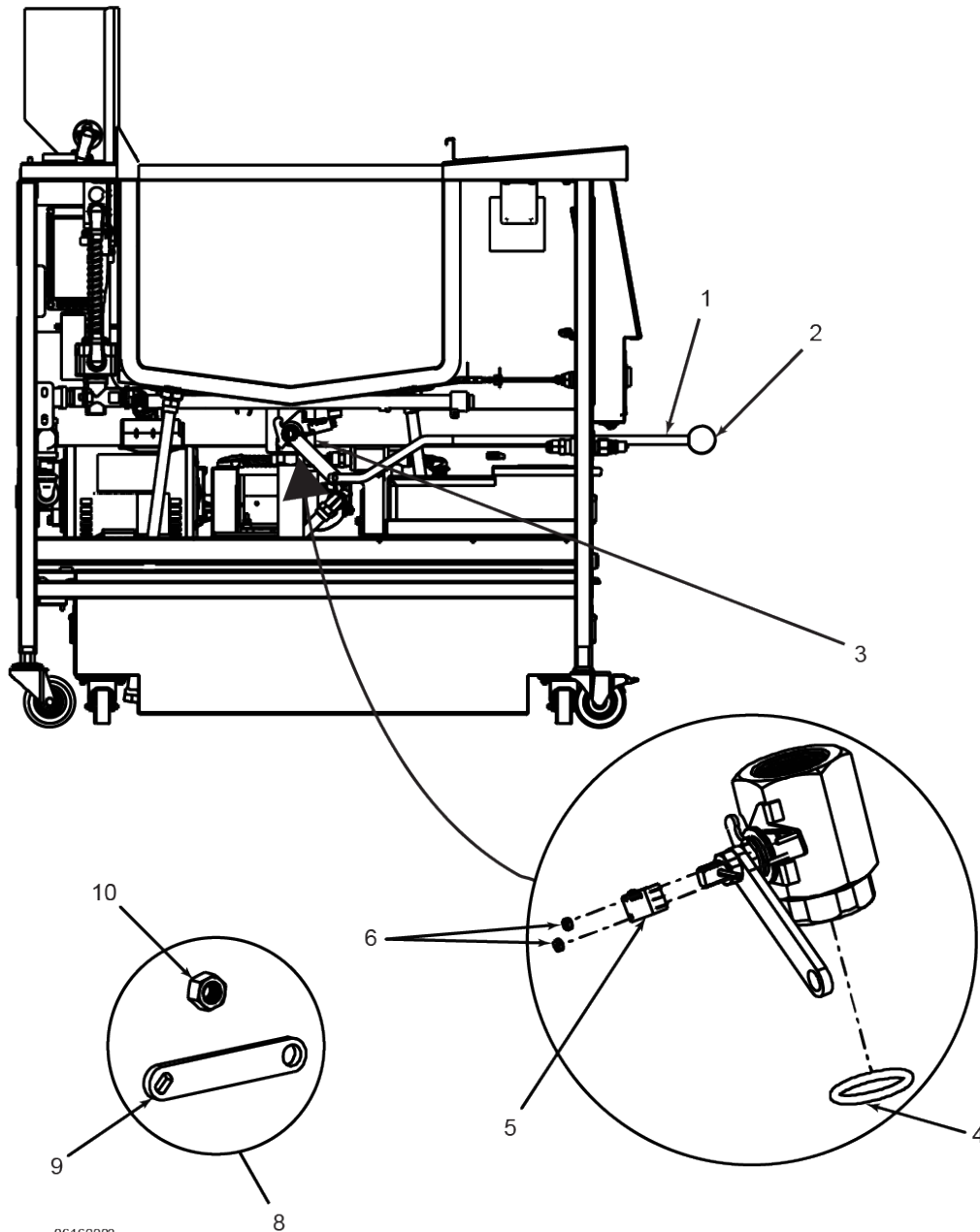
Item No.	Part No.	Description	Qty.	Stocking Level
34	77523-009	- 13 in. long Dormont suction tube	1	
35*	77523-019	Flex line - Dormont suction tube 28.5 in. (before LF1710011)	2	
36*	77523-020	Flex line- Dormont suction tube 26 in. (LF1710011 and after)	2	

Recommended Parts: A = Truck Stock; B = Dist. Stock
*** = Not Shown**



For the most up-to-date parts information, visit
<https://parts.hennypennyhelp.com>.

Drain Valve Assembly





For the most up-to-date parts information, visit
<https://parts.hennypennyhelp.com>.

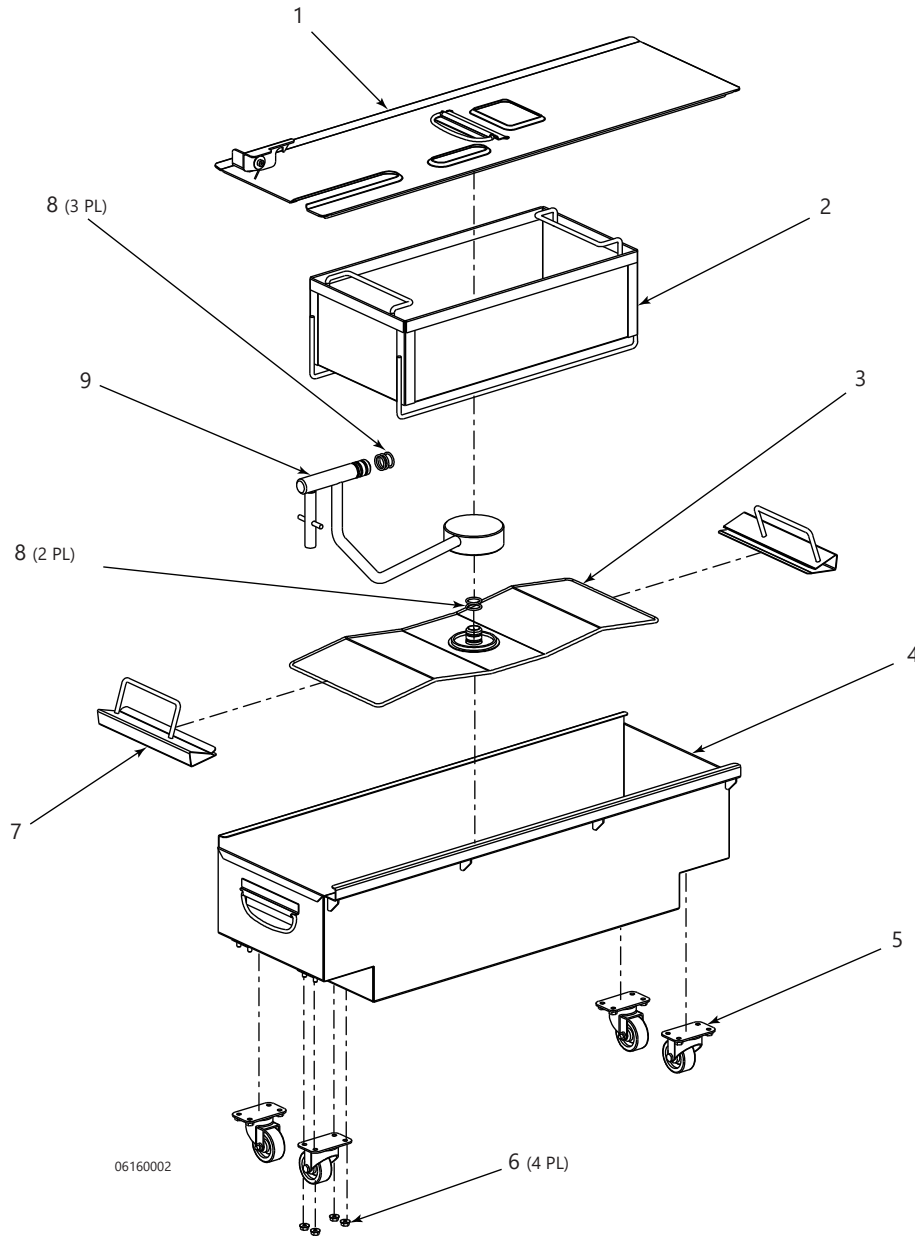
Item No.	Part No.	Description	Qty.	Stocking Level
1	161685	Drain rod assembly	1	
2	16101	Black spindle knob	1	B
3	159010	Drain valve assembly (with O-ring and switch)	1	B
4	84415	- O-ring	1	A
5	95489	- Micro switch lever	1	B
6	NS02-009	- Hex nut (holds switch to bracket)	2	
7	140477	Valve stem mounted switch kit	1	B
8	140554	Drain valve arm kit	1	B
9	161684	Drain valve linkage arm	1	
10	NS01-044	1/2 - 20 center lock nut	1	

Recommended Parts: A = Truck Stock; B = Dist. Stock
*** = Not Shown**



For the most up-to-date parts information, visit
<https://parts.hennypennyhelp.com>.

Filter Pan Assembly





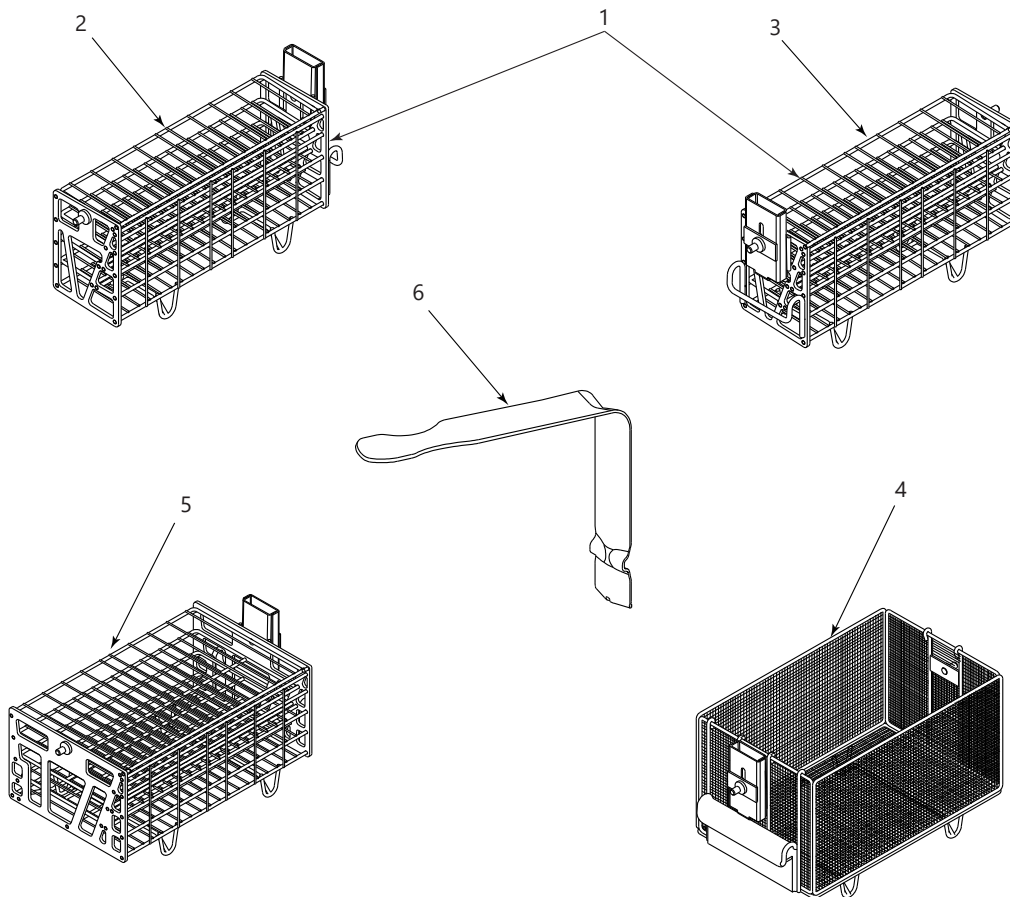
For the most up-to-date parts information, visit
<https://parts.hennypennyhelp.com>.

Item No.	Part No.	Description	Qty.	Stocking Level
	155266	Filter pan assembly	1	
1	175737	- Filter pan cover	1	B
2	161150	- Crumb catcher	1	B
3	183693	- Filter screen service pack (o-rings included)	1	
4	175736	- Filter pan only	1	B
5	19004	-- 2 in. swivel caster	4	B
6	NS04-005	-- 1/4 - 20 serrated locknut flange (caster)	16	
7	161350	- Filter clip	2	B
8	175860	- O-ring service pack (12 pieces)	1	A
9	155290	- Standpipe (w/o O-ring)	1	B
10*	91700	Filter pan switch	1	A
Recommended Parts: A = Truck Stock; B = Dist. Stock * = Not Shown				



For the most up-to-date parts information, visit <https://parts.hennypennyhelp.com>.

Accessories



07160001

Item No.	Part No.	Description	Qty.	Stocking Level
1	140486	Tiered half basket kit	A/R	
2	N/A	- RH tiered fillet basket		
3	N/A	- LH tiered fillet basket		
4	N/A	Full basket kit	A/R	
5	140487	LH tiered full basket kit	A/R	



For the most up-to-date parts information, visit
<https://parts.hennypennyhelp.com>.

Item No.	Part No.	Description	Qty.	Stocking Level
5	140642	RH tiered full basket kit	A/R	
6	165801	Fryer basket handle	A/R	
<p>Recommended Parts: A = Truck Stock; B = Dist. Stock * = Not Shown A/R = As Required</p>				