

RELAY 1 RELAY 2

NEUTRAL

POWER

ELEMENT
120V, 208 &
240 - 450W

ELEMENT
120V, 208 &
240 - 450W

CONTROL 2

CONTROL 1

PROBE YELLOW
REDA

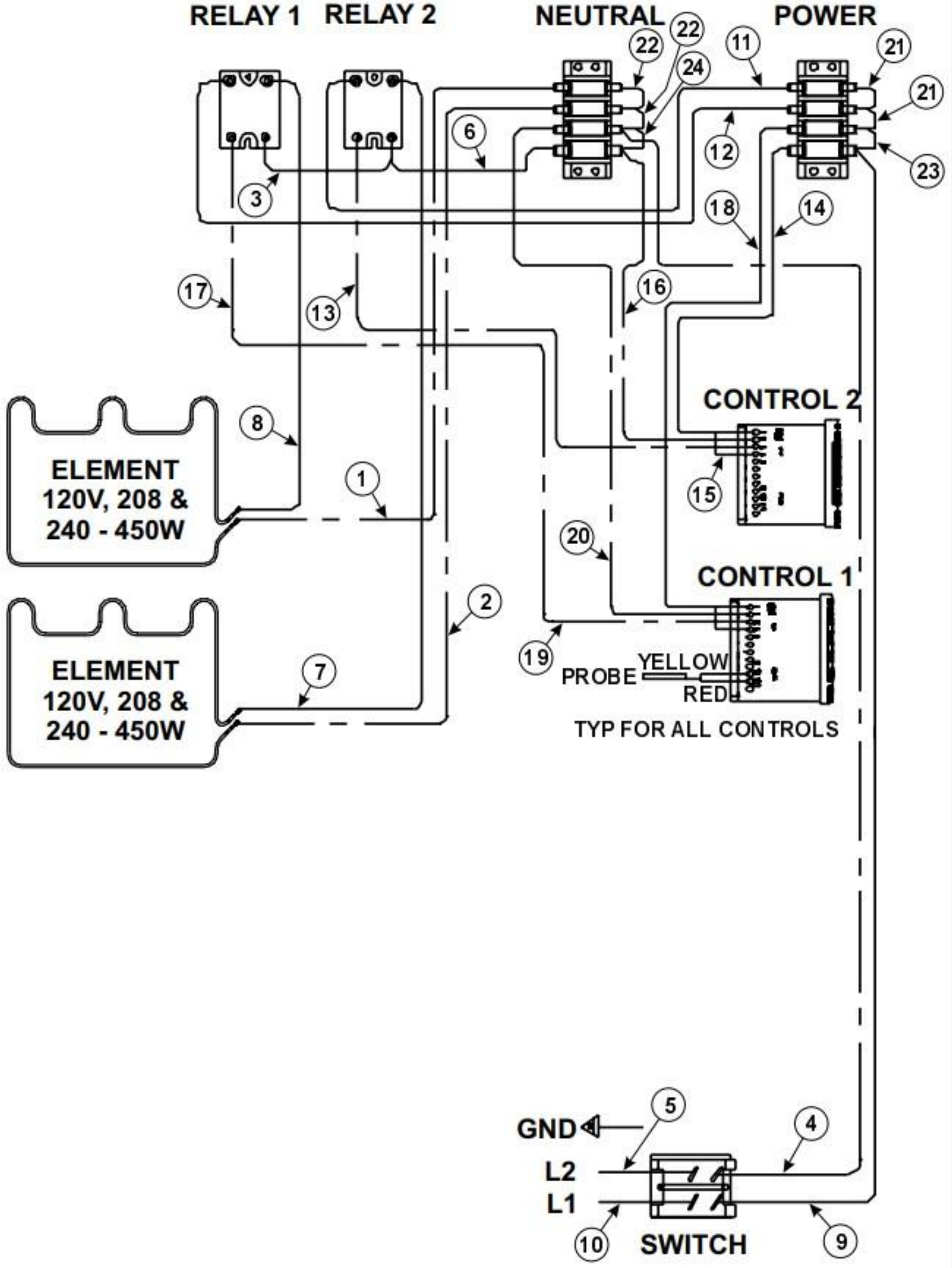
TYP FOR ALL CONTROLS

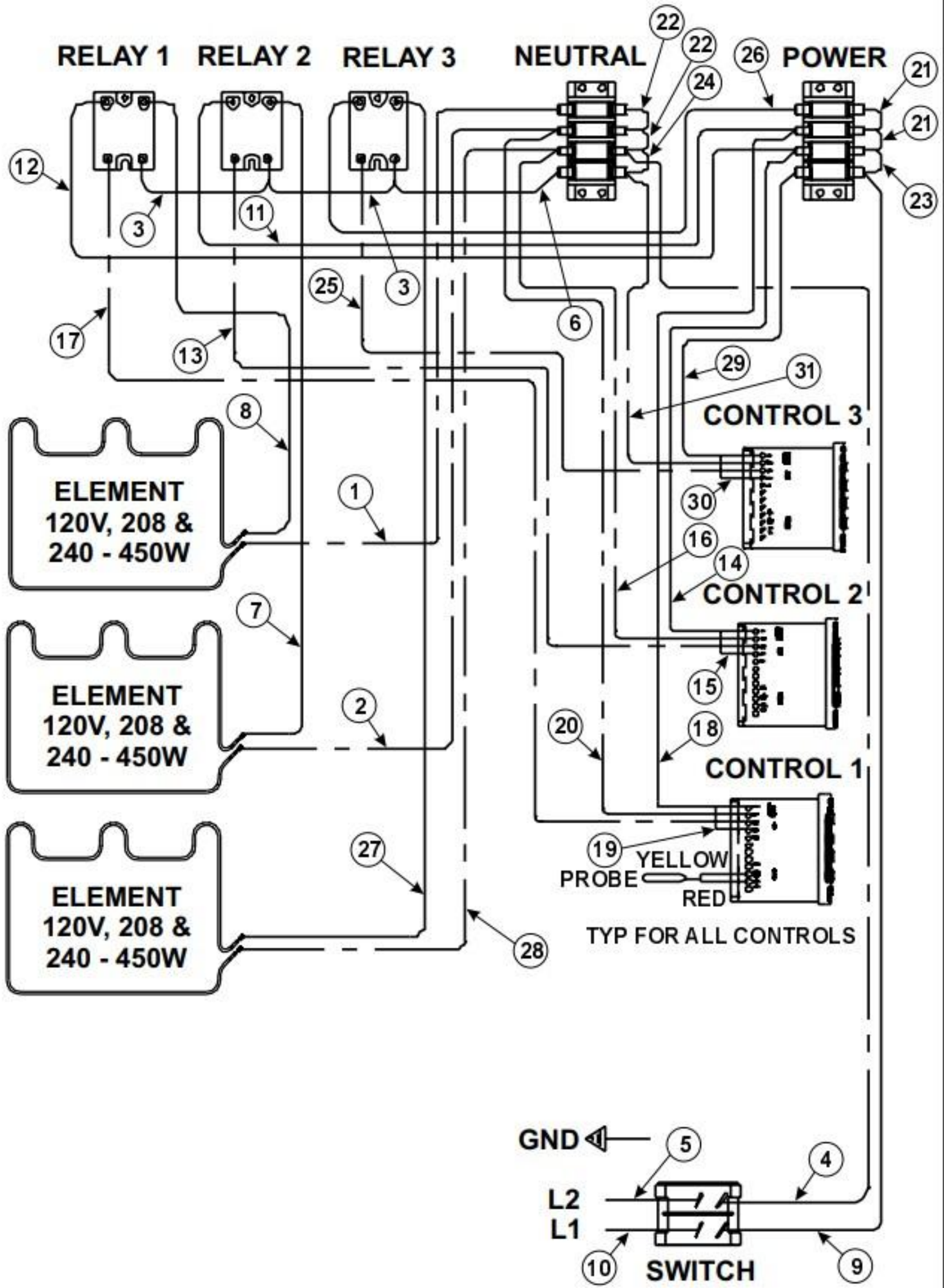
GND

L2

L1

SWITCH





RELAY 1 RELAY 2 RELAY 3 RELAY 4

NEUTRAL POWER

