

RELAY 1 RELAY 2

NEUTRAL

POWER

ELEMENT  
120V, 208 &  
240 - 450W

ELEMENT  
120V, 208 &  
240 - 450W

CONTROL 2

CONTROL 1

PROBE YELLOW  
RED

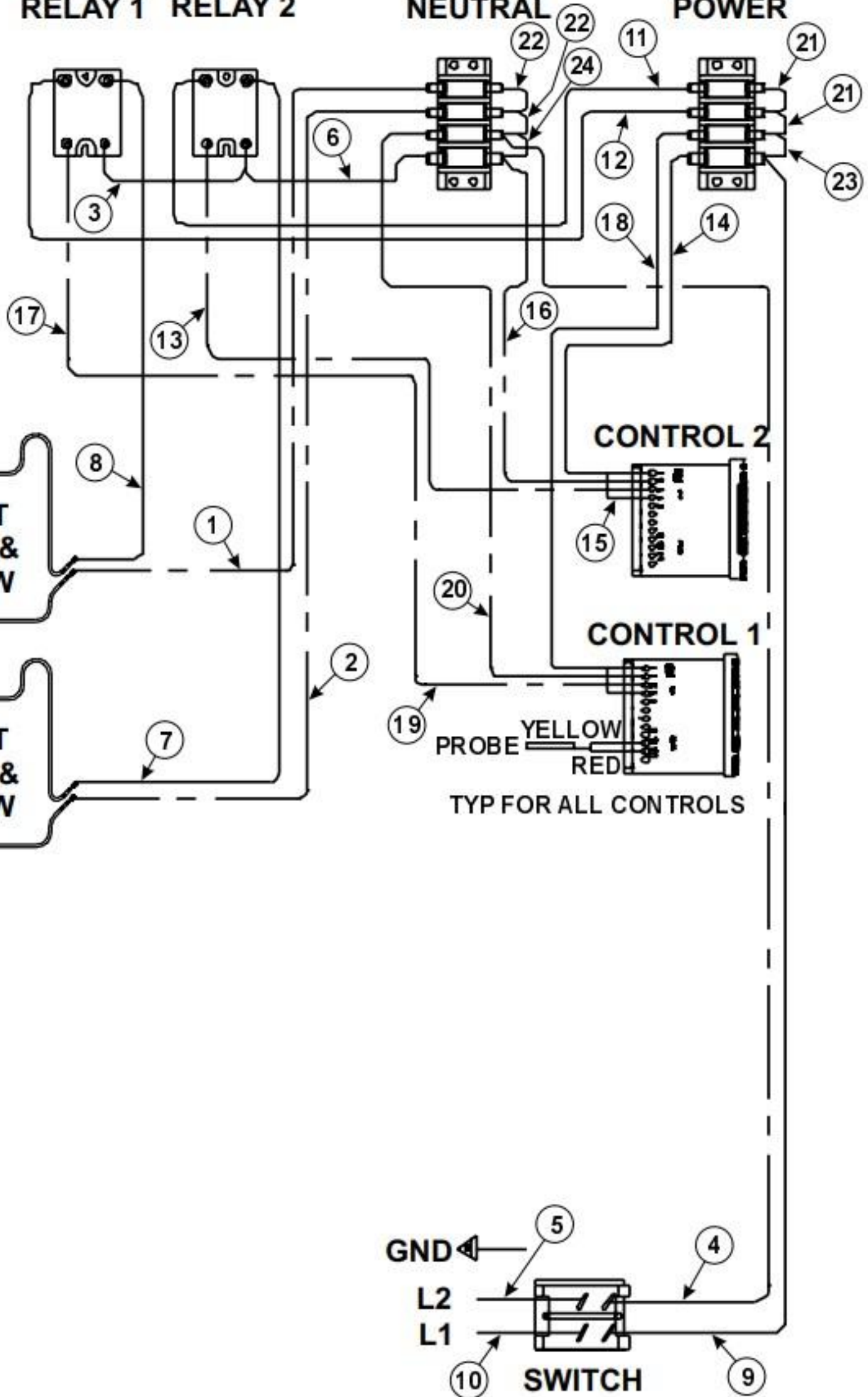
TYP FOR ALL CONTROLS

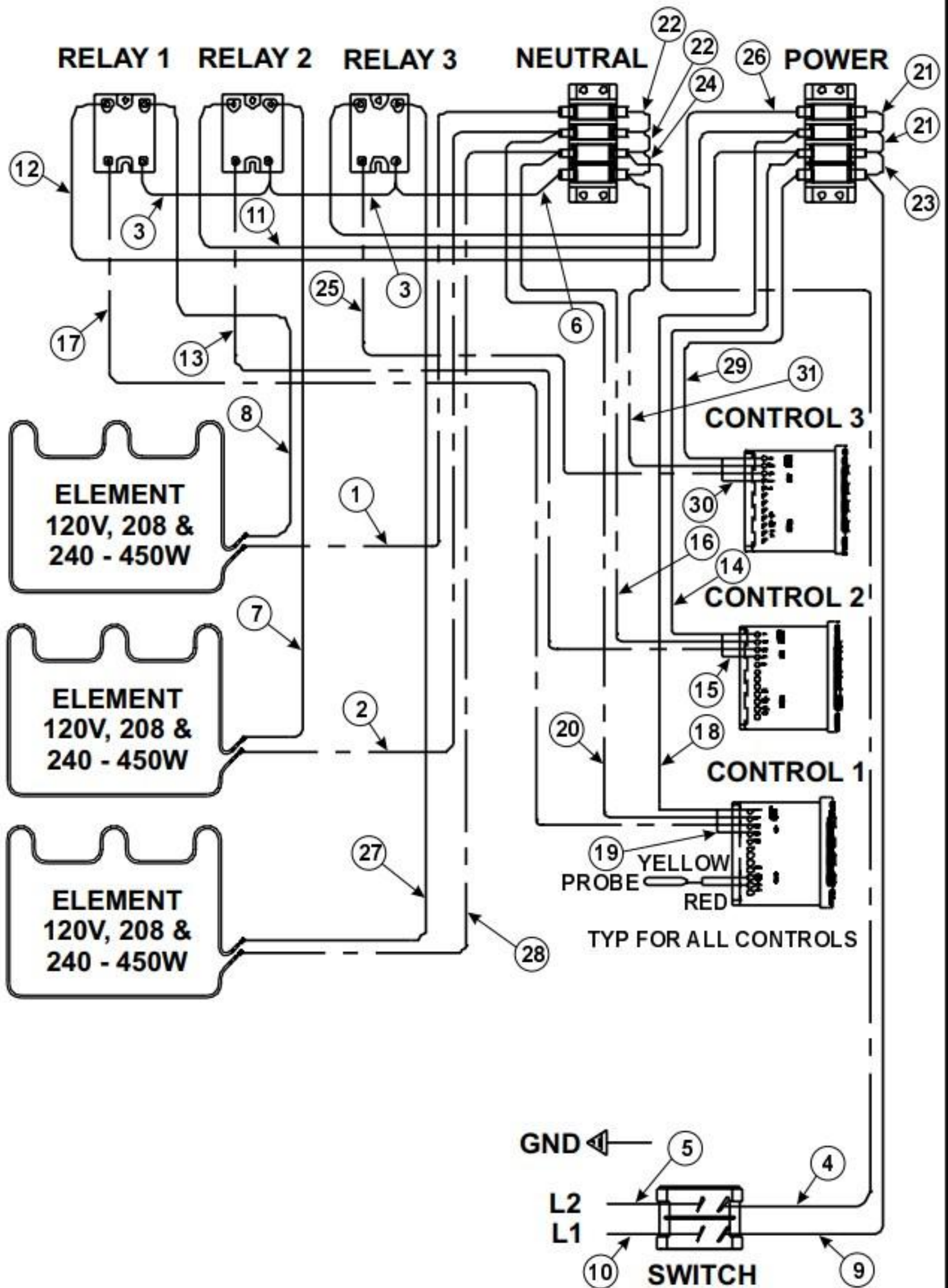
GND

L2

L1

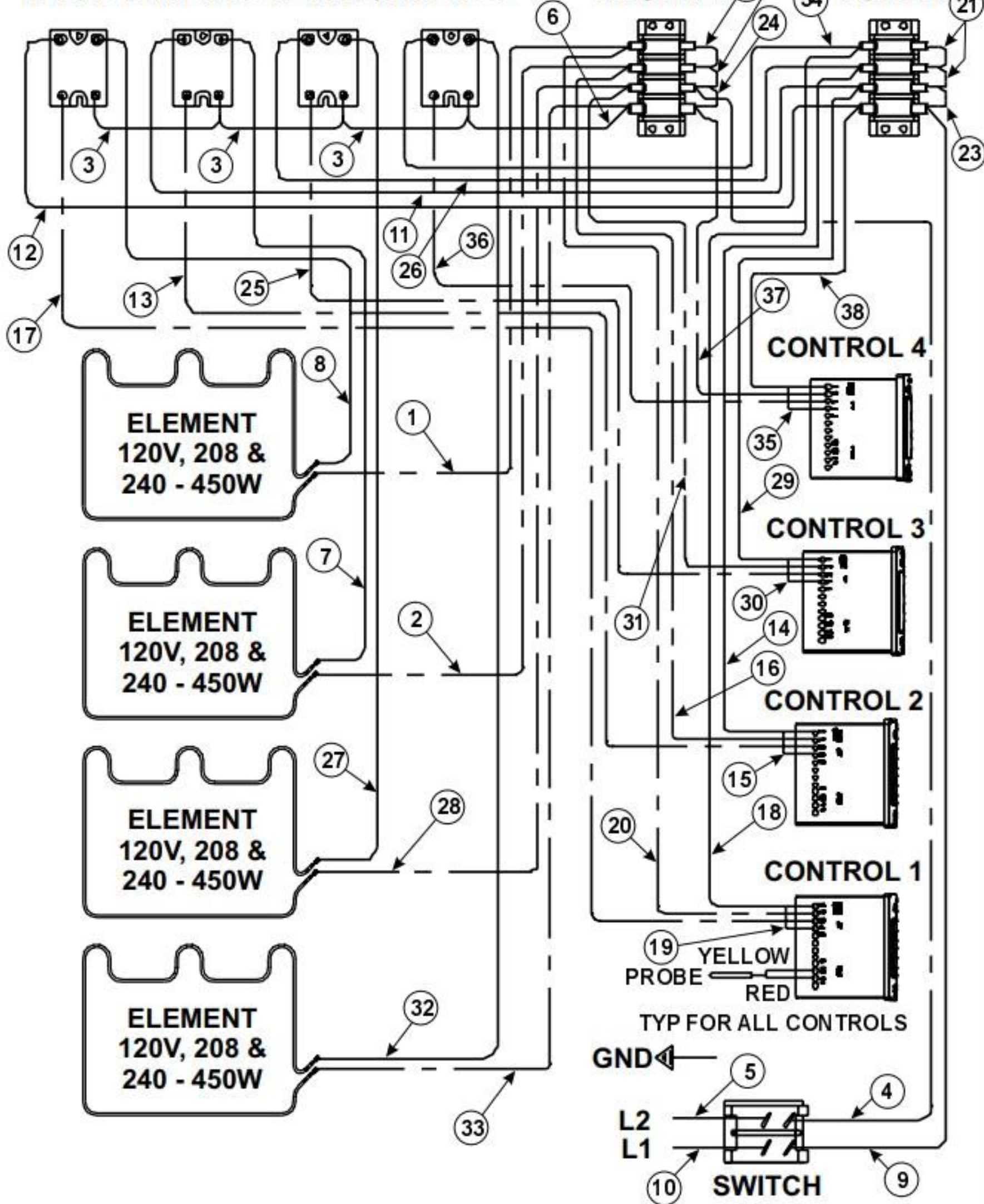
SWITCH





RELAY 1 RELAY 2 RELAY 3 RELAY 4

NEUTRAL POWER



ELEMENT  
120V, 208 &  
240 - 450W

ELEMENT  
120V, 208 &  
240 - 450W

ELEMENT  
120V, 208 &  
240 - 450W

ELEMENT  
120V, 208 &  
240 - 450W

CONTROL 4

CONTROL 3

CONTROL 2

CONTROL 1

YELLOW  
PROBE  
RED

TYP FOR ALL CONTROLS

GND

L2  
L1

SWITCH