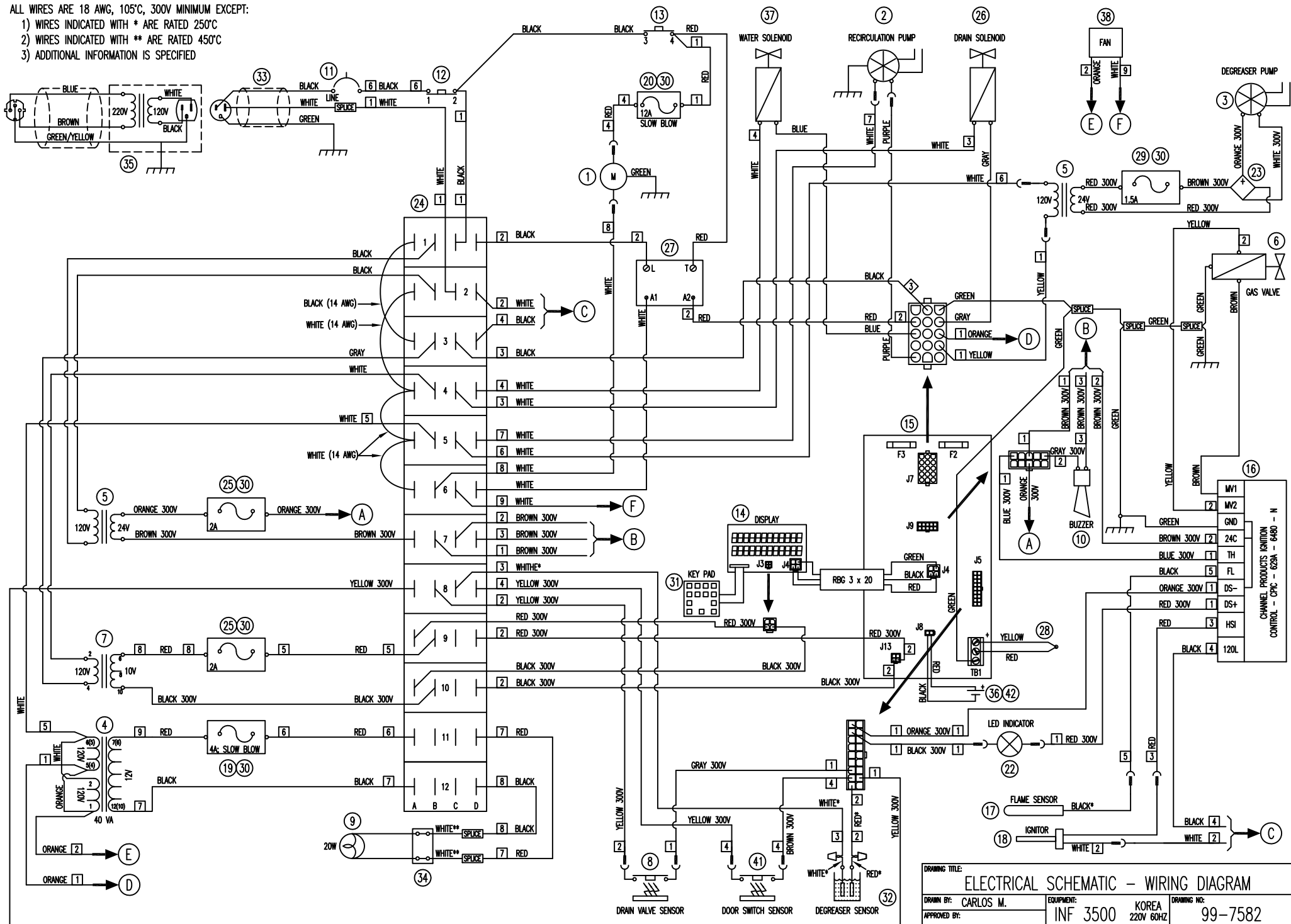


NOTE:

ALL WIRES ARE 18 AWG, 105°C, 300V MINIMUM EXCEPT:

- 1) WIRES INDICATED WITH * ARE RATED 250°C
- 2) WIRES INDICATED WITH ** ARE RATED 450°C
- 3) ADDITIONAL INFORMATION IS SPECIFIED



DRAWING TITLE: ELECTRICAL SCHEMATIC - WIRING DIAGRAM			
DRAWN BY: CARLOS M.	EQUIPMENT: INF 3500	KOREA 220V 60HZ	DRAWING NO: 99-7582
APPROVED BY:	DATE: 01-NOV-2011	SCALE: NTS	REVISION: 10
			SHEET: 1 OF 2

NOTE:
THE INFORMATION CONTAINED HEREIN IS THE PROPERTY OF HARDT EQUIPMENT MANUFACTURING INC. ANY REPRODUCTION, DISCLOSURE OR USE THEREOF IS PERMITTED ONLY AS PROVIDED BY CONTRACT, OR AS AUTHORIZED IN WRITING BY HARDT EQUIPMENT MANUFACTURING INC.

30	5	5474	HOLDER, FUSE, SINGLE (FOR 1/4 X 1 1/4" FUSES)	5474
29	1	5581	FUSE 1.5-AMP FAST-BLOW 1/4 x 1 1/4"	5581
28	1	4220.2.875	PROBE, TEMPERATURE, TYPE-K THERMOCOUPLE	4220.2.875
27	1	6517	SOLID STATE RELAY SIEMENS 3RF2020-1AA22	6517.UPGRADE
26	1	20267	SOLENOID VALVE	20267
25	3	20260	FUSE 2-AMP FAST-BLOW 1/4 x 1-1/4	20260
24	1	11009	TERMINAL BLOCK 12-POSITION	11009
23	1	8265	RECTIFIER, BRIDGE	8265
22	1	6643	INDICATOR LAMP RED LED 12V	6669
21	-	-	-	-
20	1	7127	FUSE 12-AMP SLOW-BLOW 1/4 x 1-1/4"	7127
19	1	4065	FUSE 4-AMP SLOW-BLOW 1/4 x 1-1/4"	4065
18	1	6999	IGNITOR, HOT SURFACE (SI)	99-16663
17	1	6719	FLAME SENSOR, DUAL PROBE 3500	6719
16	1	6721.RELAY	MODULE, IGNITION , CHANNEL PRODUCTS	6721.RELAY
15	1	4592	BOARD ASSEMBLY, CONTROLLER	CALL HARDT
14	1	4591	BOARD ASSEMBLY, DISPLAY	4591.NEW
13	1	4563	SWITCH GREEN MANUAL ADVANCE NO	4563
12	1	4320	SWITCH RED MAIN ON/OFF NC	4320
11	1	4067	CIRCUIT BREAKER SEALED 12.5A 240VAC 15.6A TRIP	4067
10	1	4302	BUZZER 24V	4302
9	1	8998	LIGHT BULB, HALOGEN, 12V/20W, W/GLASS COVER	8998
8	1	4102	REED SENSOR MK11 S/S M5 THREAD	14064
7	1	6996	TRANSFORMER 115V/10VAC	6996
6	1	4021	VALVE, GAS	4021
5	2	4010	TRANSFORMER 120V/24V	4010
4	1	3787	TRANSFORMER 115V/12VAC	3787
3	1	3766	PUMP, DEGREASER	99-16964
2	1	99-16671	RECIRCULATION PUMP ASS'Y 100-130V	99-16671
1	1	3120	MOTOR 1/4-HP 120V 60HZ	3120
ITEM	QTY	PART	DESCRIPTION	SERVICE NO

42	1	7414	BATTERY HOLDER SIZE C	99-14482
41	1	4102	REED SENSOR MK11 S/S M5 THREAD	99-16883
40	1	7457	TERMINAL CERAMIC 4-POLE	7457
39	2	(REF.6516)	THERMOCOUPLE EXTENSION CABLE,TYPE-K, 2-WIRE, 260C, 24AWG, POLYMER JACKET	9049
38	1	7410	FAN TUBE AXIAL 18W 115V	7410
37	1	20406	SOLENOID VALVE	20406
36	1	7413	BATTERY LITHIUM *C* 3.6V -55°C TO 150°C	7413
35	1	6770	TRANSFORMER ASSEMBLY 220/120VAC	6770
34	1	4268	TERMINAL CERAMIC 2-POLE	4268
33	1	4571	CORD, POWER MOLDED 14/3 SJTOW 9-FOOT LENGTH	4571
32	1	TBD	SENSOR, FLUID, DEGREASER	TBD
31B	1	6647	KEYPAD OVERLAY COSTCO RED	6647
31A	1	6644	KEYPAD OVERLAY STANDARD BLACK	6644

10

APPLICABLE AT THE TIME OF REVISION, PLEASE CONTACT HARDT FOR PREVIOUS VERSIONS.

NOTE:
THE INFORMATION CONTAINED HEREIN IS THE PROPERTY OF HARDT EQUIPMENT MANUFACTURING INC. ANY REPRODUCTION, DISCLOSURE OR USE THEREOF IS PERMITTED ONLY AS PROVIDED BY CONTRACT, OR AS AUTHORIZED IN WRITING BY HARDT EQUIPMENT MANUFACTURING INC.

DRAWING TITLE:			
PARTS LIST - WIRING DIAGRAM			
DRAWN BY: CARLOS M.	EQUIPMENT: KOREA	DRAWING NO:	
APPROVED BY:	INF 3500	220V 60HZ	99-7582
DATE: 01-NOV-2011	SCALE: NTS	REVISION: 10	SHEET: 2 OF 2
HARDT		HARDT EQUIPMENT MANUFACTURING INC.	
1756 50th AVENUE, LACHINE, QUEBEC, CANADA, H8T-2K5		TEL: (514) 631-7271 FAX: (514) 631-7172	

REVISION 0 - 28 MAR 2011

1) ORIGINAL RELEASE TAKEN FROM 99-4093 REV 7

REVISION 1 - 01 NOV 2011

1) SHEET 1 - REPLACE TRANSFORMER 115VAC/10VAC (WAS 210VAC/16VAC)

2) SHEET 2 - CORRECTED TEXT 10V ON TRANSFORMER (ITEM #7) - WAS 8V

REMOVED WIRE WHITE #9

CHANGE COLORS TO THE "IN" TRANSFORMER WIRES FROM BLK/BLK TO GRAY/WHITE

3) SHEET 4 - ADDED A VIEW OF ITEM #7

4) SHEET 5 - CORRECTED PART #6996 AND DESCRIPTION ON ITEM #7 - WAS PART #4079

REPLACE PART# 4188 BY #4102 (ITEM #8)

REVISION 2 - 18 OCT 2012

1) REPLACE MARRETS BY TERMINALS

REVISION 3 - CCR #1681 - 30 NOV 2012

1) SHEET 2 - REPLACE YELLOW WIRE WITH THE WHITE 250°C (WHITE*) AND THE BLUE WIRE WITH THE RED 250°C (RED*)

- CCR #1665 - 07 DEC 2012

1) SHEET 3 - ADD NOTE "SERVICE PART #6669"

- CCR #1733 - 08 FEB-13

1) SHEET 2-3-5 - ADD FAN AND HARDNESSES

2) SHEET 3-5 - REPLACE SOLENOIDE VALVE WATER INLET BY ANOTHER "PART#20406"

REVISION 4 - CCR #1788 - 16 AUG 13

1) SHEET 2 - CHANGED WIRES FROM 18 AWG TO 14 AWG, REVISED NOTES

REVISION 5 - 08-JUL-14

1) SHEET2 - FAN ITEM# CHANGED TO 38, WAS 37

REVISION 6 - 2015-10-29

1) SHEET 3 - UPDATE 3D VIEW TO INCLUDE RECENT VERSION

REVISION 7 - ECO #2402 - 2015-12-21

1) SHEET 4 - RELAY #6517 WAS #4052M

2) REMOVE COMPONENTS LOCATIONS SHEET

REVISION 8 - ECO #2645 - 2017-04-26

1) REMOVED BLOCK DIAGRAM PAGE AND TRANSFORMER PAGE

2) REVISED MOTOR GROUND

REVISION 09 - ECO #2596, 2643 - 2017-07-24

1. ADDED ITEM 42 (P/N 7414)

2. ADDED SERVICE NO COLUMN

3. SPLIT P/N 4102 TO TWO ITEMS DUE TO DIFFERENT SERVICE NO

4. REPLACED P/N 8996 WITH P/N 8998

REVISION 09 - ECO #2596, 2643 - 2017-07-24

1. ADDED ITEM 42 (P/N 7414)

REVISION 10 - ECO #2778 - 2018-04-30

1. REPLACED ITEM 3763 BY 99-17117

DRAWING TITLE: REVISION HISTORY - WIRING DIAGRAM			
DRAWN BY: CARLOS M.	EQUIPMENT: INF 3500	KOREA 220V 60HZ	DRAWING NO: 99-7582
APPROVED BY:	DATE: 01-NOV-2011	SCALE: NTS	REVISION: 10
			SHEET: 3 OF 2

NOTE:
THE INFORMATION CONTAINED HEREIN IS THE PROPERTY OF HARDT EQUIPMENT MANUFACTURING INC. ANY REPRODUCTION, DISCLOSURE OR USE THEREOF IS PERMITTED ONLY AS PROVIDED BY CONTRACT, OR AS AUTHORIZED IN WRITING BY HARDT EQUIPMENT MANUFACTURING INC.

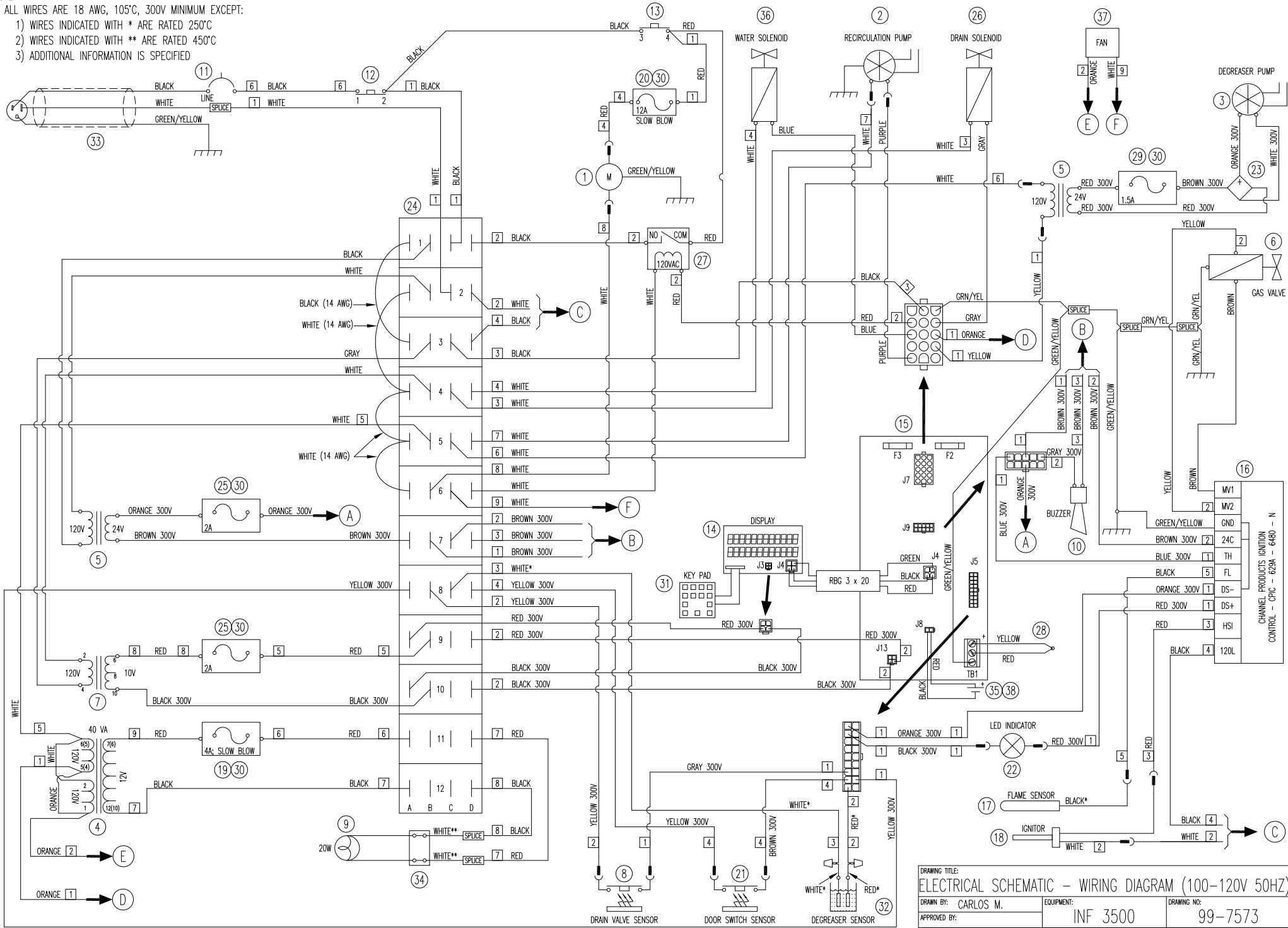


HARDT EQUIPMENT MANUFACTURING INC.
1756 50th AVENUE, LACHINE, QUEBEC, CANADA, H8T-2K5 TEL: (514) 631-7271 FAX: (514) 631-7172

NOTE:

ALL WIRES ARE 18 AWG, 105°C, 300V MINIMUM EXCEPT:

- 1) WIRES INDICATED WITH * ARE RATED 250°C
- 2) WIRES INDICATED WITH ** ARE RATED 450°C
- 3) ADDITIONAL INFORMATION IS SPECIFIED



DRAWING TITLE: ELECTRICAL SCHEMATIC - WIRING DIAGRAM (100-120V 50HZ)
 DRAWN BY: CARLOS M. EQUIPMENT: INF 3500 DRAWING NO: 99-7573
 APPROVED BY: DATE: 10 FEB 2011 SCALE: NTS REVISION: 08 SHEET: 1 OF 2

30	5	5474	HOLDER, FUSE, SINGLE (FOR 1/4 X 1 1/4" FUSES)	5474
29	1	5581	FUSE 1.5-AMP FAST-BLOW 1/4 x 1 1/4"	5581
28	1	4220.2.875	PROBE, TEMPERATURE, TYPE-K THERMOCOUPLE	4220.2.875
27	1	4052M	RELAY 120VAC COIL SPDT NO	4052M
26	1	20267	SOLENOID VALVE	20267
25	2	20260	FUSE 2-AMP FAST-BLOW 1/4 x 1-1/4	20260
24	1	11009	TERMINAL BLOCK 12-POSITION	11009
23	1	8265	RECTIFIER, BRIDGE	8265
22	1	6643	INDICATOR LAMP RED LED 12V	6669
21	1	4102	REED SENSOR MK11 S/S M5 THREAD	99-16883
20	1	7127	FUSE 12-AMP SLOW-BLOW 1/4 x 1-1/4"	7127
19	1	4065	FUSE 4-AMP SLOW-BLOW 1/4 x 1-1/4"	4065
18	1	6999	IGNITOR, HOT SURFACE (SI)	99-16663
17	1	6719	FLAME SENSOR, DUAL PROBE 3500	6719
16	1	6721.RELAY	MODULE, IGNITION , CHANNEL PRODUCTS	6721.RELAY
15	1	4592	BOARD ASSEMBLY, CONTROLLER	CALL HARDT
14	1	4591	BOARD ASSEMBLY, DISPLAY	4591.NEW
13	1	4563	SWITCH GREEN MANUAL ADVANCE NO	4563
12	1	4320	SWITCH RED MAIN ON/OFF NC	4320
11	1	4067	CIRCUIT BREAKER SEALED 12.5A 240VAC 15.6A TRIP	4067
10	1	4302	BUZZER 24V	4302
9	1	8998	LIGHT BULB, HALOGEN, 12V/20W, W/GLASS COVER	8998
8	1	4188	SWITCH, REED	4188
7	1	6996	TRANSFORMER 115V/10VAC	6996
6	1	4021	VALVE, GAS	4021
5	2	4010.JAPAN	TRANSFORMER 120V/24V	4010
4	1	3787	TRANSFORMER 115V/12VAC	3787
3	1	3766	PUMP, DEGREASER	99-16964
2	1	99-16671	RECIRCULATION PUMP ASS'Y 100-130V	99-16671
1	1	3127	MOTOR 1/3-HP 115/230V 50/60HZ	3127
ITEM	QTY	PART	DESCRIPTION	SERVICE NO

38	1	7414	BATTERY HOLDER SIZE C	99-14482
37	1	7410	FAN TUBE AXIAL 18W 115V	7410
36	1	20406	SOLENOID VALVE	20406
35	1	7413	BATTERY LITHIUM "C" 3.6V -55°C TO 150°C	7413
34	1	4268	TERMINAL CERAMIC 2-POLE	4268
33	1	4571	CORD, POWER MOLDED 14/3 SJTOW 9-FOOT LENGTH	4571
32	1	TBD	SENSOR, FLUID, DEGREASER	TBD
31B	1	6647	KEYPAD OVERLAY COSTCO RED	6647
31A	1	6644	KEYPAD OVERLAY STANDARD BLACK	6644

08

DRAWING TITLE:			
PARTS LIST - WIRING DIAGRAM (100-120V 50HZ)			
DRAWN BY: CARLOS M.		EQUIPMENT:	DRAWING NO:
APPROVED BY:		INF 3500	99-7573
DATE: 10 FEB 2011	SCALE: NTS	REVISION: 08	SHEET: 2 OF 2

NOTE:
THE INFORMATION CONTAINED HEREIN IS THE PROPERTY OF HARDT EQUIPMENT MANUFACTURING INC. ANY REPRODUCTION, DISCLOSURE OR USE THEREOF IS PERMITTED ONLY AS PROVIDED BY CONTRACT, OR AS AUTHORIZED IN WRITING BY HARDT EQUIPMENT MANUFACTURING INC.



HARDT EQUIPMENT MANUFACTURING INC.
1756 50th AVENUE, LACHINE, QUEBEC, CANADA, H8T-2V5 TEL: (514) 631-7271 FAX: (514) 631-7172

REVISION 00 : 10 FEB 2011

1) ORIGINAL RELEASE, BUILT FROM 99-4093 REV 7

REVISION 01 : 18 JAN 2012

1) #6796

REVISION 02 : 18 OCT 2012

1) REPLACE MARRETS BY TERMINALS

REVISION 03 : 30 NOV 2012

- CCR #1681

1) REPLACE YELLOW WIRE WITH THE WHITE 250°C (WHITE*) AND THE BLUE WIRE WITH THE RED 250°C (RED*)

07 DEC 2012

- CCR #1665

1) SHEET 3 - ADD NOTE "SERVICE PART #6669

06 FEB 2013

- CCR #1733

1) SHEET 2-3-5 - ADD FAN AND HARNESSSES

2) SHEET 3-5 - REPLACE SOLENOIDE VALVE WATER INLET BY ANOTHER "PART#20406"

REVISION 04 : 16 AUG 13

- CCR #1788

1) SHEET 2 - CHANGED WIRES FROM 18 AWG TO 14 AWG, REVISED NOTES

REVISION 05 : 2017-04-26

- ECO #2645

1) REMOVED BLOCK DIAGRAM PAGE, COMPONENT LOCATIONS PAGE AND TRANSFORMER PAGE

2) REVISED MOTOR GROUND

REVISION 06 : 2017-06-05

- ECO #2656

1) REPLACE DOOR SWITCH 4188 WITH 4102

REVISION 07 - ECO #2596, 2643 - 2017-07-24

1. ADDED ITEM 38 (P/N 7414)

2. ADDED SERVICE NO COLUMN

3. REPLACED P/N 8996 WITH P/N 8998

4. CORRECTED QUANTITY ERROR OF P/N 20267 AND P/N 20260

REVISION 08 - ECO #2778 - 2018-04-30

1. REPLACED ITEM 3763 BY 99-16671

DRAWING TITLE:			
REVISION HISTORY - WIRING DIAGRAM (100-120V 50HZ)			
DRAWN BY:	CARLOS M.	EQUIPMENT:	INF 3500
APPROVED BY:		DRAWING NO.:	99-7573
DATE:	10 FEB 2011	SCALE:	NTS
		REVISION:	08
		SHEET:	3 OF 2

NOTE:
THE INFORMATION CONTAINED HEREIN IS THE PROPERTY OF HARDT EQUIPMENT MANUFACTURING INC. ANY REPRODUCTION, DISCLOSURE OR USE THEREOF IS PERMITTED ONLY AS PROVIDED BY CONTRACT, OR AS AUTHORIZED IN WRITING BY HARDT EQUIPMENT MANUFACTURING INC.



HARDT EQUIPMENT MANUFACTURING INC.
1756 50th AVENUE, LACHINE, QUEBEC, CANADA, H8T-2K5 TEL: (514) 631-7271 FAX: (514) 631-7172

30	5	5474	HOLDER, FUSE, SINGLE (FOR 1/4 X 1 1/4" FUSES)	5474
29	1	5581	FUSE 1.5-AMP FAST-BLOW 1/4 x 1 1/4"	5581
28	1	4220.2.875	PROBE, TEMPERATURE, TYPE-K THERMOCOUPLE	4220.2.875
27	1	6517	SOLID STATE RELAY SIEMENS 3RF2020-1AA22	6517.UPGRADE
26	1	20267	SOLENOID VALVE	20267
25	2	20260	FUSE 2-AMP FAST-BLOW 1/4 x 1-1/4	20260
24	1	11009	TERMINAL BLOCK 12-POSITION	11009
23	1	8265	RECTIFIER, BRIDGE	8265
22	1	6643	INDICATOR LAMP RED LED 12V	6669
21	-	-	-	-
20	1	7127	FUSE 12-AMP SLOW-BLOW 1/4 x 1-1/4"	7127
19	1	4065	FUSE 4-AMP SLOW-BLOW 1/4 x 1-1/4"	4065
18	1	6999	IGNITOR, HOT SURFACE (SI)	99-16663
17	1	7803	FLAME SENSOR, DUAL THERMOCOUPLE TYPE K	7803.ASSY
16	1	7453	MODULE,IGNITION, CHANNEL PRODUCTS,THERMAL SENSING	7453
15	1	4592	BOARD ASSEMBLY, CONTROLLER	CALL HARDT
14	1	4591	BOARD ASSEMBLY, DISPLAY	4591.NEW
13	1	4563	SWITCH GREEN MANUAL ADVANCE NO	4563
12	1	4320	SWITCH RED MAIN ON/OFF NC	4320
11	1	4067	CIRCUIT BREAKER SEALED 12.5A 240VAC 15.6A TRIP	4067
10	1	4302	BUZZER 24V	4302
9	1	8998	LIGHT BULB, HALOGEN, 12V/20W, W/GLASS COVER	8998
8	1	4102	REED SENSOR MK11 S/S M5 THREAD	14064
7	1	6996	TRANSFORMER 115V/10VAC	6996
6	1	4021	VALVE, GAS	4021
5	2	4010	TRANSFORMER 120V/24V	4010
4	1	3787	TRANSFORMER 115V/12VAC	3787
3	1	3766	PUMP, DEGREASER	99-16964
2	1	99-16671	RECIRCULATION PUMP ASS'Y 100-130V	99-16671
1	1	3120	MOTOR 1/4-HP 120V 60HZ	3120
ITEM	QTY	PART	DESCRIPTION	SERVICE NO

42	1	9013	LAMP HOLDER HALOGEN BI-PIN G4 W/18" LEADS	9013
41	1	7414	BATTERY HOLDER SIZE C	99-14482
40	1	4102	REED SENSOR MK11 S/S M5 THREAD	99-16883
39	1	7457	TERMINAL CERAMIC 4-POLE	7457
38	2	(REF.6516)	THERMOCOUPLE EXTENSION CABLE,TYPE-K, 2-WIRE, 260C, 24AWG, POLYMER JACKET	9049
37	1	7410	FAN TUBE AXIAL 18W 115V	7410
36	1	20406	SOLENOID VALVE	20406
35	1	7413	BATTERY LITHIUM "C" 3.6V -55°C TO 150°C	7413
34	1	4268	TERMINAL CERAMIC 2-POLE	4268
33	1	4571	CORD, POWER MOLDED 14/3 SJTOW 9-FOOT LENGTH	4571
32	1	TBD	SENSOR, FLUID, DEGREASER	TBD
31B	1	6647	KEYPAD OVERLAY COSTCO RED	6647
31A	1	6644	KEYPAD OVERLAY STANDARD BLACK	6644

DRAWING TITLE: PARTS LIST-WIRING DIAGRAM, THERMAL SENSING			
DRAWN BY: XIN Z.	EQUIPMENT: INF 3500	DRAWING NO: 99-7646	
APPROVED BY:			
DATE: 2020-01-29	SCALE: NTS	REVISION: 07	SHEET: 2 OF 3

NOTE:
THE INFORMATION CONTAINED HEREIN IS THE PROPERTY OF HARDT EQUIPMENT MANUFACTURING INC. ANY REPRODUCTION, DISCLOSURE OR USE THEREOF IS PERMITTED ONLY AS PROVIDED BY CONTRACT, OR AS AUTHORIZED IN WRITING BY HARDT EQUIPMENT MANUFACTURING INC.




HARDT EQUIPMENT MANUFACTURING INC.
1756 50th AVENUE, LACHINE, QUEBEC, CANADA, H8T-2K5 TEL: (514) 631-7271 FAX: (514) 631-7172

HARNESS#1		
WIRE	FROM ITEM#	TO ITEM#
BLACK	12	13
BLACK	7	24
BLACK	24	14
BLACK	24	24
BROWN	5	24
GRAY	24	7
ORANGE	5	25
RED	27	13
RED	24	14
WHITE	24	7
WHITE	24	24
WHITE	24	24
WHITE	24	24
RBG 3 x22	15	14

HARNESS#2		
WIRE	FROM ITEM#	TO ITEM#
BLACK (1)	24	12
BLACK (2)	24	27
BLACK (4)	24	16
BLACK (3)	24	15
BLACK (6)	11	12
BLUE	36	15
GRAY	26	15
GRN/YLW	SPLICE	15
GRN/YLW	GROUND	16
GRN/YLW	SPLICE	6
GRN/YLW	SPLICE	15
GRN/YLW	16	SPLICE
GRN/YLW	SPLICE	GROUND
GRN/YLW	SPLICE	SPLICE
ORANGE	4	4
ORANGE (1)	4	15
ORANGE (2)	37	4
PURPLE	15	2
RED (1)	13	20
RED (2)	15	27
RED (3)	16	18
RED (4)	1	20
WHITE	4	4
WHITE	24	27
WHITE (5)	24	4
WHITE (6)	24	5
WHITE (4)	24	36
WHITE (3)	24	26
WHITE (8)	24	1
WHITE (2)	24	18
WHITE (7)	24	2
WHITE (1)	24	33
WHITE (9)	24	37
YELLOW (1)	15	5

HARNESS#3		
WIRE	FROM ITEM#	TO ITEM#
BLACK (7)	24	4
BLACK (8)	34	24
BLACK (1)	22	15
BLACK (2)	15	24
BLUE (1)	16	15
BROWN	16	6
BROWN (4)	40	15
BROWN (2)	16	24
BROWN (1)	15	24
BROWN (3)	10	24
GRAY (1)	8	15
GRAY (2)	10	15
ORANGE	36	36
ORANGE (1)	16	15
ORANGE	15	25
PURPLE	36	34
PURPLE	36	34
RED (5)	24	25
RED (6)	24	19
RED (8)	7	25
RED (9)	4	19
RED (7)	34	24
RED (1)	16	22
RED (2)	15	24
RED (3)	32	15
WHITE (1)	32	24
YELLOW (2)	16	6
YELLOW (2)	8	24
YELLOW (4)	40	24
YELLOW (1)	15	24

NOTE:
THE INFORMATION CONTAINED HEREIN IS THE PROPERTY OF HARDT EQUIPMENT MANUFACTURING INC. ANY REPRODUCTION, DISCLOSURE OR USE THEREOF IS PERMITTED ONLY AS PROVIDED BY CONTRACT, OR AS AUTHORIZED IN WRITING BY HARDT EQUIPMENT MANUFACTURING INC.

DRAWING TITLE: REVISION HISTORY-WIRING DIAGRAM, THERMAL SENSING			
DRAWN BY: XIN Z.	EQUIPMENT: INF 3500	DRAWING NO: 99-7646	
APPROVED BY:	DATE: 2020-01-29	SCALE: NTS	REVISION: 07
		SHEET: 3 OF 3	
		HARDT EQUIPMENT MANUFACTURING INC. 1756 50th AVENUE, LACHINE, QUEBEC, CANADA, H8T-2K5 TEL: (514) 631-7271 FAX: (514) 631-7172	

REVISION 00 - 23 MAY 2013

- 1) ORIGINAL RELEASE

REVISION 01 - 15 SEP 14

- 1) PART # OF ITEM 9, 17, 39 UPDATED
- 2) PAGE 3 UPDATED AS PER 3D MODULE
- 3) TH. SENSING TABLE (PAGE 3) UPDATED

REVISION 02 - ECO #2341 - 2015-10-16

1. REPLACED P/N 4052M WITH P/N 6517
2. REMOVE TABLE FROM PAGE 3 AND NOTE ON BALLOON 17
3. UPDATE BOM TABLE

REVISION 03 - ECO #2349

1. SHEET 3 - UPDATE 3D VIEW TO INCLUDE RECENT VERSION

REVISION 04 - ECO #2645 - 2017-04-26

- 1) REMOVED BLOCK DIAGRAM PAGE, COMPONENT LOCATIONS PAGE AND TRANSFORMER PAGE
- 2) REVISED MOTOR GROUND

REVISION 05 - ECO #2596, 2643, 2672, 2753- 2018-03-19


- 1) ADDED P/N 7414
- 2) ADDED SERVICE NO COLUMN TO THE BOM
- 3) ADDED NEW PAGE TO SHOW HARNESS WIRE CONNECTIONS
- 4) SPLIT P/N 4102 TO TWO ITEMS DUE TO DIFFERENT SERVICE NO

REVISION 06 - ECO #2778- 2018-04-30

- 1) REPLACED ITEM 3763 BY 99-16671

REVISION 07 - ECO #2990- 2020-01-29

- 1) ADDED ITEM 9013

DRAWING TITLE: REVISION HISTORY-WIRING DIAGRAM, THERMAL SENSING			
DRAWN BY: XIN Z.	EQUIPMENT: INF 3500	DRAWING NO: 99-7646	
APPROVED BY:			
DATE: 2020-01-29	SCALE: NTS	REVISION: 07	SHEET: 4 OF 3
NOTE: THE INFORMATION CONTAINED HEREIN IS THE PROPERTY OF HARDT EQUIPMENT MANUFACTURING INC. ANY REPRODUCTION, DISCLOSURE OR USE THEREOF IS PERMITTED ONLY AS PROVIDED BY CONTRACT, OR AS AUTHORIZED IN WRITING BY HARDT EQUIPMENT MANUFACTURING INC.		 HARDT EQUIPMENT MANUFACTURING INC. 1756 50th AVENUE, LACHINE, QUEBEC, CANADA, H8T-2Y5 TEL: (514) 631-7271 FAX: (514) 631-7172	


30	5	5474	HOLDER, FUSE, SINGLE (FOR 1/4 X 1 1/4" FUSES)	5474
29	1	5581	FUSE 1.5-AMP FAST-BLOW 1/4 x 1 1/4"	5581
28	1	4220.2.875	PROBE, TEMPERATURE, TYPE-K THERMOCOUPLE	4220.2.875
27	1	6517	SOLID STATE RELAY SIEMENS 3RF2020-1AA22	6517.UPGRADE
26	1	20267	SOLENOID VALVE	20267
25	2	20260	FUSE 2-AMP FAST-BLOW 1/4 x 1-1/4	20260
24	1	11009	TERMINAL BLOCK 12-POSITION	11009
23	1	8265	RECTIFIER, BRIDGE	8265
22	1	6643	INDICATOR LAMP RED LED 12V	6669
21	-	-	-	-
20	1	7127	FUSE 12-AMP SLOW-BLOW 1/4 x 1-1/4"	7127
19	1	4065	FUSE 4-AMP SLOW-BLOW 1/4 x 1-1/4"	4065
18	1	6999	IGNITOR, HOT SURFACE (SI)	99-16663
17	1	6719	FLAME SENSOR, DUAL PROBE 3500	6719
16	1	6721.RELAY	MODULE, IGNITION , CHANNEL PRODUCTS	6721.RELAY
15	1	4592	BOARD ASSEMBLY, CONTROLLER	CALL HARDT
14	1	4591	BOARD ASSEMBLY, DISPLAY	4591.NEW
13	1	4563	SWITCH GREEN MANUAL ADVANCE NO	4563
12	1	4320	SWITCH RED MAIN ON/OFF NC	4320
11	1	4067	CIRCUIT BREAKER SEALED 12.5A 240VAC 15.6A TRIP	4067
10	1	4302	BUZZER 24V	4302
9	1	8998	LIGHT BULB, HALOGEN, 12V/20W, W/GLASS COVER	8998
8	1	4102	REED SENSOR MK11 S/S M5 THREAD	14064
7	1	6996	TRANSFORMER 115V/10VAC	6996
6	1	4021	VALVE, GAS	4021
5	2	4010	TRANSFORMER 120V/24V	4010
4	1	3787	TRANSFORMER 115V/12VAC	3787
3	1	3766	PUMP, DEGREASER	99-16964
2	1	99-16671	RECIRCULATION PUMP ASS'Y 100-130V	99-16671
1	1	3120	MOTOR 1/4-HP 120V 60HZ	3120
ITEM	QTY	PART	DESCRIPTION	SERVICE NO

39	1	7414	BATTERY HOLDER SIZE C	99-14482
38	1	4102	REED SENSOR MK11 S/S M5 THREAD	99-16883
37	1	7410	FAN TUBE AXIAL 18W 115V	7410
36	1	20406	SOLENOID VALVE	20406
35	1	7413	BATTERY LITHIUM "C" 3.6V -55°C TO 150°C	7413
34	1	4268	TERMINAL CERAMIC 2-POLE	4268
33	1	4571	CORD, POWER MOLDED 14/3 SJTOW 9-FOOT LENGTH	4571
32	1	TBD	SENSOR, FLUID, DEGREASER	TBD
31B	1	6647	KEYPAD OVERLAY COSTCO RED	6647
31A	1	6644	KEYPAD OVERLAY STANDARD BLACK	6644

16

APPLICABLE AT THE TIME OF REVISION. PLEASE CONTACT HARDT FOR PREVIOUS REVISIONS.

NOTE:
THE INFORMATION CONTAINED HEREIN IS THE PROPERTY OF HARDT EQUIPMENT MANUFACTURING INC. ANY REPRODUCTION, DISCLOSURE OR USE THEREOF IS PERMITTED ONLY AS PROVIDED BY CONTRACT, OR AS AUTHORIZED IN WRITING BY HARDT EQUIPMENT MANUFACTURING INC.

DRAWING TITLE:			
PARTS LIST - WIRING DIAGRAM			
DRAWN BY: CARLOS M.	EQUIPMENT:	DRAWING NO:	
APPROVED BY:	INF 3500	99-4093	
DATE: 01-NOV-11	SCALE: NTS	REVISION: 16	SHEET: 2 OF 2
		HARDT EQUIPMENT MANUFACTURING INC.	
1756 50th AVENUE, LACHINE, QUEBEC, CANADA, H8T-2K5		TEL: (514) 631-7271 FAX: (514) 631-7172	

REVISION 4 - 26-AUG-09

- 1) CHANGED PART NUMBER OF ITEM 17 FROM 4741 TO 6719

REVISION 5 - 23-NOV-09

- 1) CHANGED MOTOR FUSE ITEM 20 FROM 8 AMP TO 12 AMP SLOW BLOW

REVISION 6 - 07 JAN 10

- 1) REMOVED SLO DETECTION
- 2) REPLACED WR IGN. MODULE WITH CP IGNITION MODULE AND RELAY
- 3) REPLACED WR IGNITER WITH SI IGNITER

REVISION 7 - 23 FEB 10

- 1) REMOVED RELAY (ITEM 21)
- 2) REPLACE CP IGN. MODULE WITH NEW MODEL
- 3) MODIFY PAGE 3 VIEWS TO SHOW ACTUAL COMPONENTS AND THEIR PLACEMENT
- 4) MODIFY ITEM 25 QUANTITY FROM 2 TO 3
- 5) CORRECTION DONE ON BLACK WIRE COMING FROM FL CONNECTION ON IGNITION MODULE

REVISION 8 - 28 APR 2011

- 1) SHEET 3 - CORRECTED 5TH FUSE TO BE ITEM # 20 (WAS #25)
- 2) SHEET 5 - CORRECTED QUANTITY OF ITEM 20 TO BE 2 (WAS 1) AND ITEM 25 TO BE 2 (WAS 3)

REVISION 9 - 19-OCT-12

- 1) SHEET 1 - REPLACE TRANSFORMER 115VAC/10VAC (WAS 210VAC/16VAC)
- 2) SHEET 2 - CORRECTED TEXT 10V ON TRANSFORMER (ITEM #7) - WAS 8V
REMOVED WIRE WHITE #9
CHANGE COLORS TO THE "IN" TRANSFORMER WIRES FROM BLK/BLK TO GRAY/WHITE
REPLACE MARRETS BY TERMINALS
- 3) SHEET 4 - ADDED A VIEW OF ITEM #7
- 4) SHEET 5 - CORRECTED PART #6996 AND DESCRIPTION ON ITEM #7 - WAS PART #4079
REPLACE PART# 4188 BY #4102 (ITEM #8)

REVISION 10 - CCR #1681 - 30 NOV 2012

- 1) SHEET 2 - REPLACE YELLOW WIRE WITH THE WHITE 250°C (WHITE*) AND THE BLUE WIRE WITH THE RED 250°C (RED*)
- CCR #1665 - 07 DEC 2012
- 1) SHEET 3 - ADD NOTE "SERVICE PART #6669"

- CCR #1733 - 06 FEB 13

- 1) SHEET 2-3-5 - ADD FAN AND HARNESSSES
- 2) SHEET 3-5 - REPLACE SOLENOIDE VALVE WATER INLET BY ANOTHER "PART#20406"

REVISION 11 - CCR #1788 - 16 AUG 13

- 1) SHEET 2 - CHANGED WIRES FROM 18 AWG TO 14 AWG, REVISED NOTES

REVISION 12 - CCR #2345 - 2015-10-28

- 1) SHEET 3 - UPDATE 3D VIEW TO INCLUDE RECENT VERSION

REVISION 13 - ECO #2402 - 2015-12-21

- 1) SHEET 4 - RELAY #6517 WAS #4052M
- 2) REMOVE COMPONENTS LOCATIONS SHEET

REVISION 14 - ECO #2645 - 2017-04-26

- 1) REMOVED BLOCK DIAGRAM PAGE AND TRANSFORMER PAGE
- 2) REVISED MOTOR GROUND

REVISION 15 - ECO #2596, 2643 - 2017-07-20


1. ADDED ITEM 39 (P/N 7414)
2. ADDED SERVICE NO COLUMN
3. SPLIT P/N 4102 TO TWO ITEMS DUE TO DIFFERENT SERVICE NO

REVISION 16 - ECO #2778 - 2018-04-30

- 1) REPLACED ITEM 3763 BY 99-16671

NOTE:

THE INFORMATION CONTAINED HEREIN IS THE PROPERTY OF HARDT EQUIPMENT MANUFACTURING INC. ANY REPRODUCTION, DISCLOSURE OR USE THEREOF IS PERMITTED ONLY AS PROVIDED BY CONTRACT, OR AS AUTHORIZED IN WRITING BY HARDT EQUIPMENT MANUFACTURING INC.

DRAWING TITLE: REVISION HISTORY - WIRING DIAGRAM			
DRAWN BY: CARLOS M.	EQUIPMENT: INF 3500	DRAWING NO: 99-4093	
APPROVED BY:			
DATE: 01-NOV-11	SCALE: NTS	REVISION: 16	SHEET: 3 OF 2
		HARDT EQUIPMENT MANUFACTURING INC. 1756 50th AVENUE, LACHINE, QUEBEC, CANADA, H8T-2Y5 TEL: (514) 631-7271 FAX: (514) 631-7172	