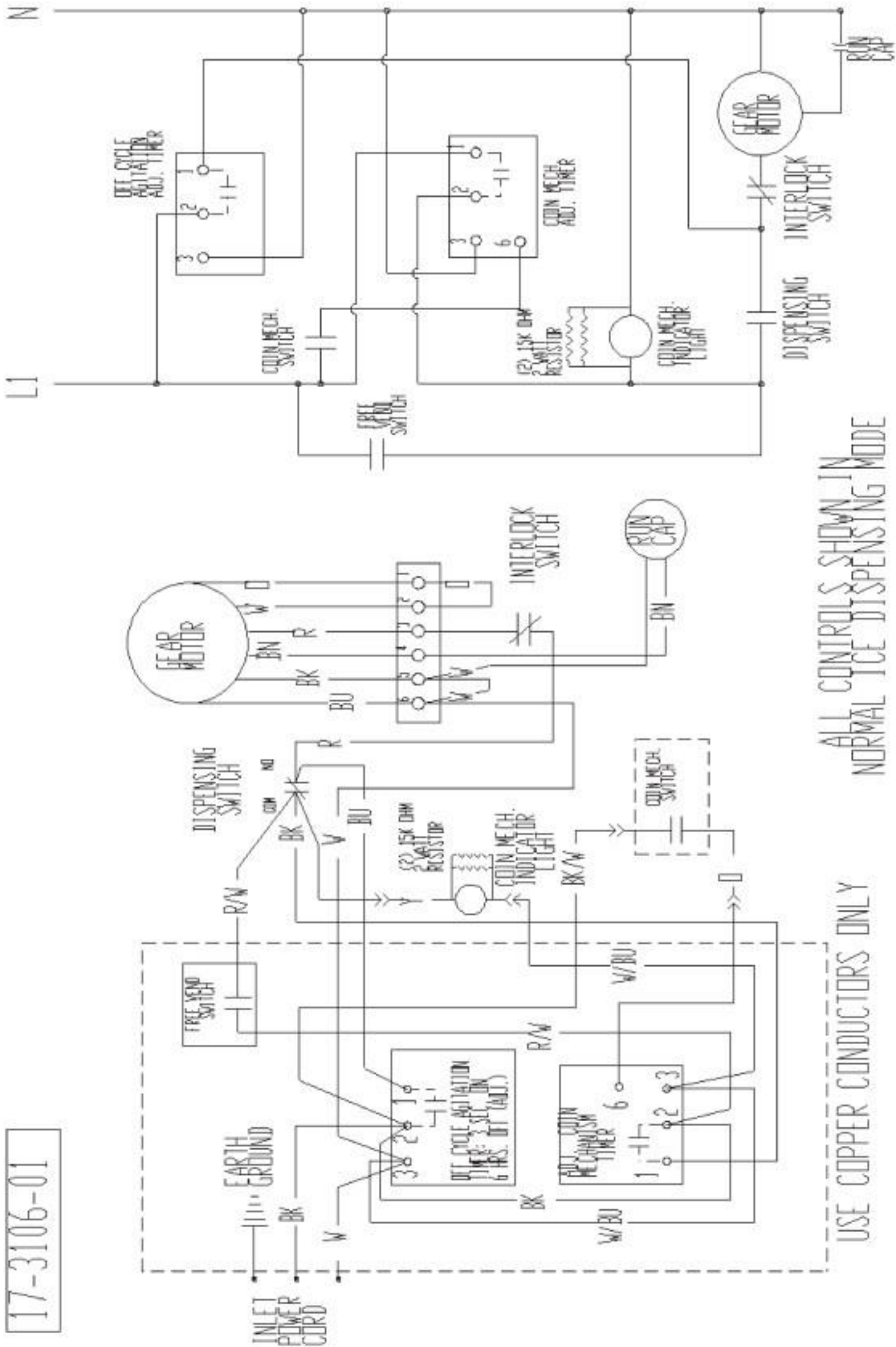
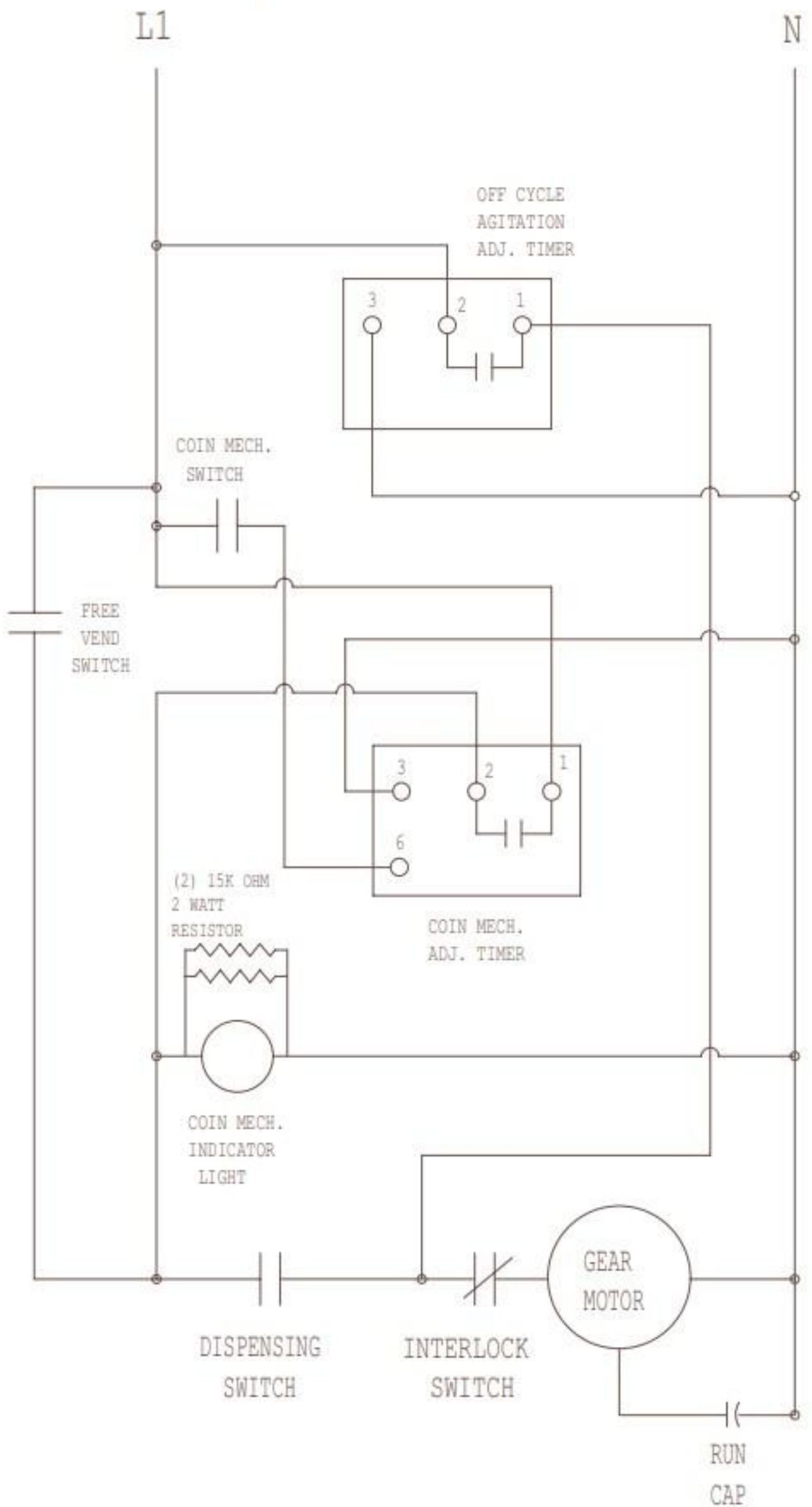


17-3106-01

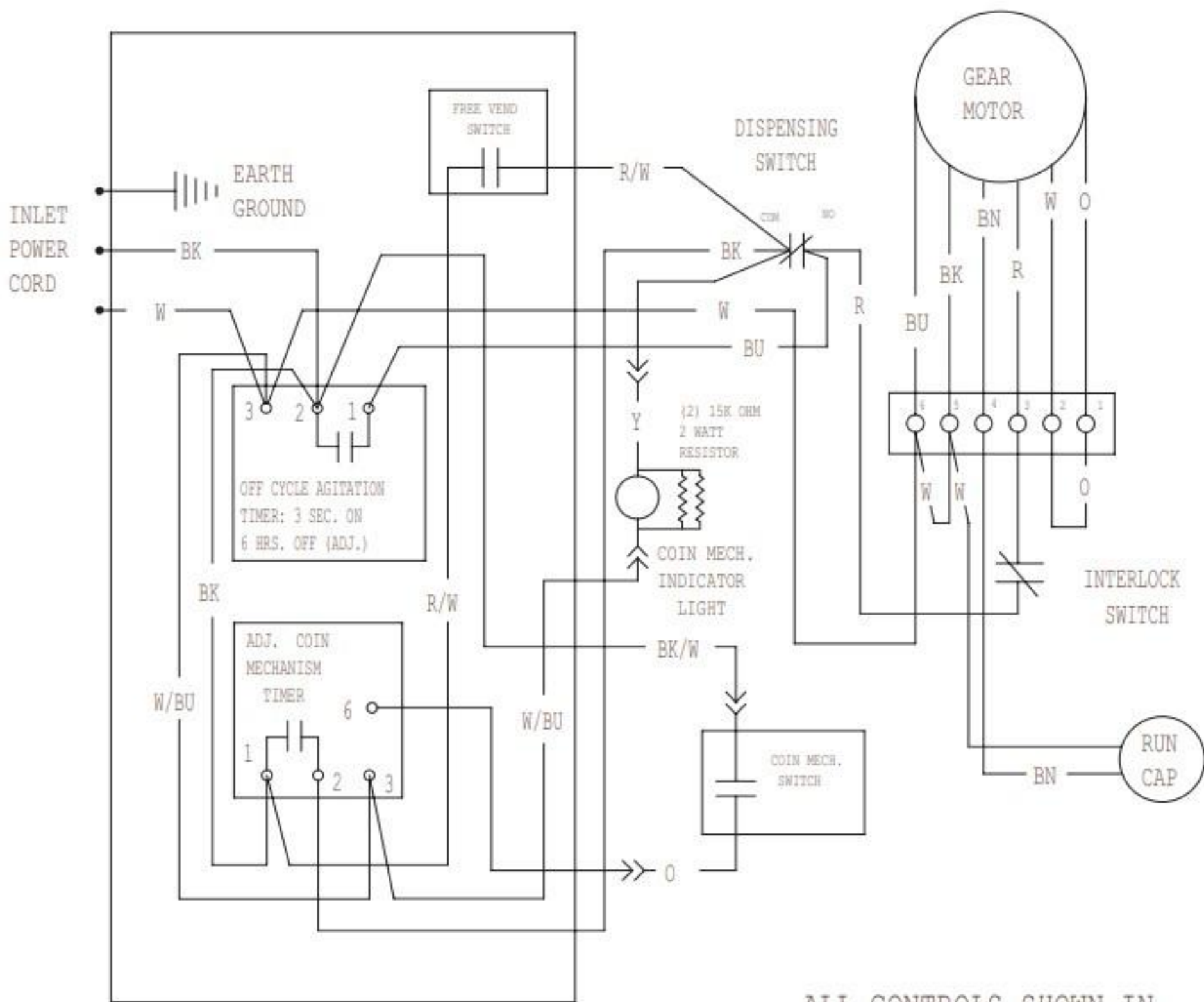


ALL CONTROLS SHOWN IN NORMAL ICE DISPENSING MODE

USE COPPER CONDUCTORS ONLY



17-2967-01

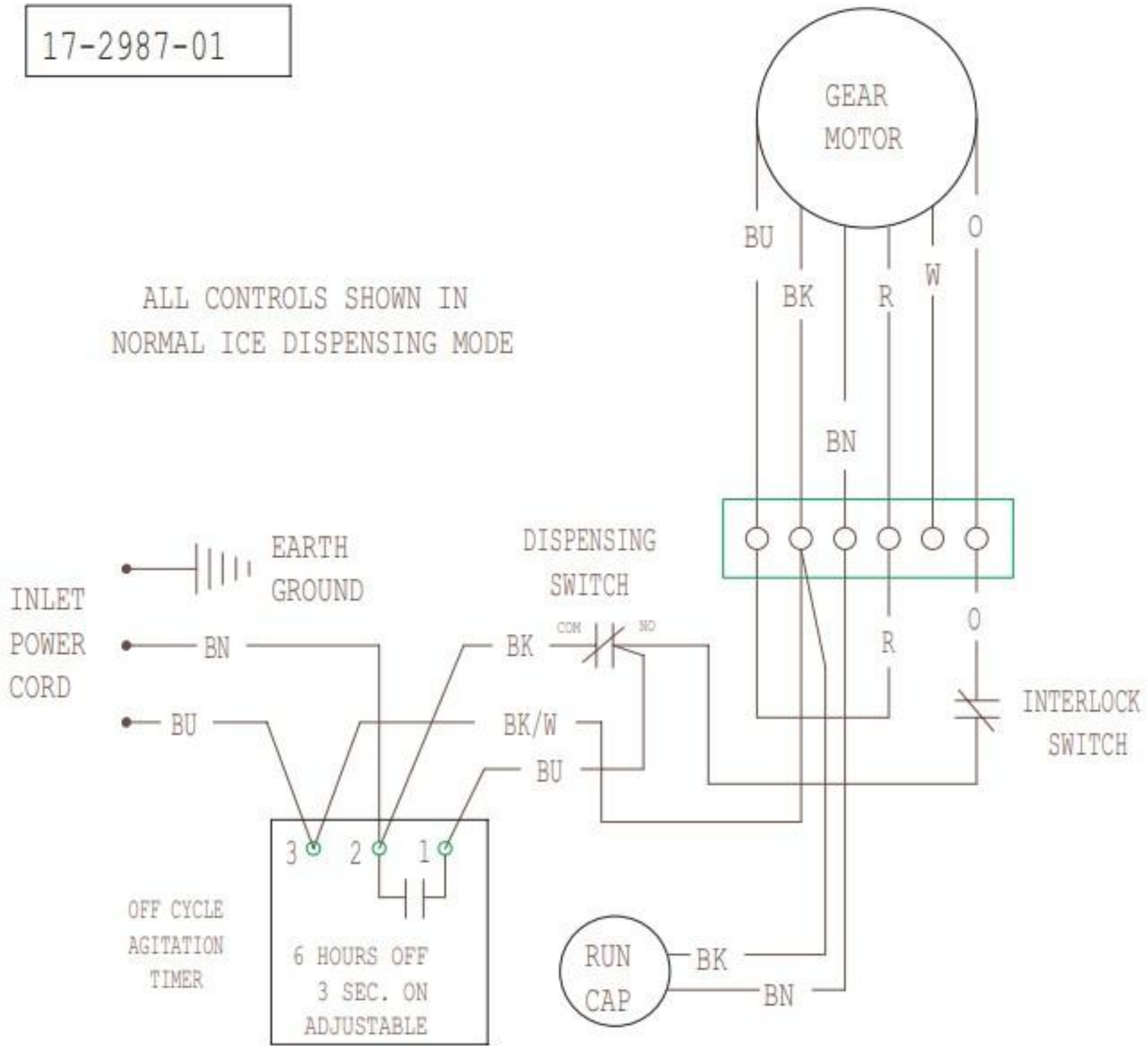


USE COPPER CONDUCTORS ONLY

ALL CONTROLS SHOWN IN
NORMAL ICE DISPENSING MODE

17-2987-01

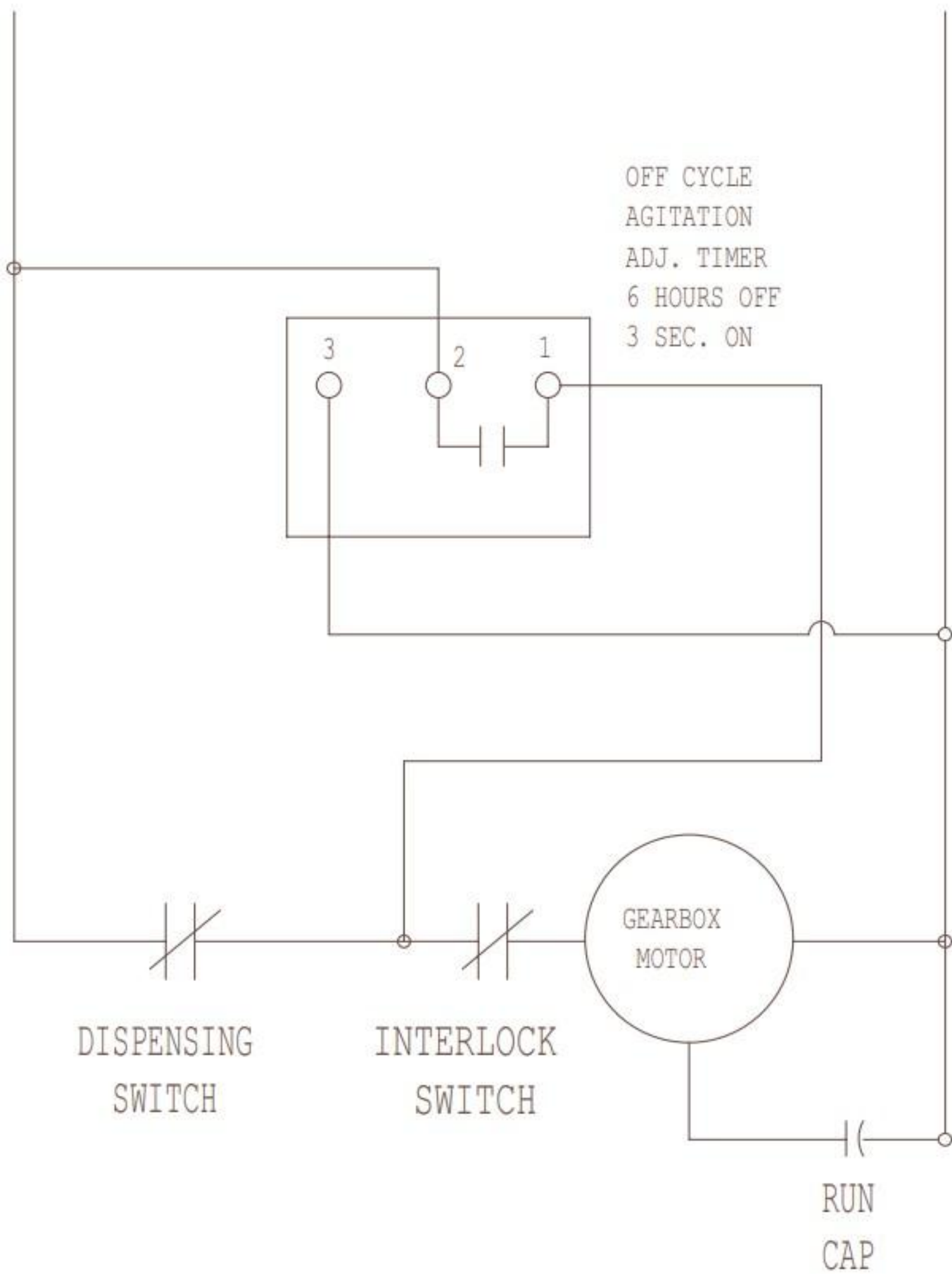
ALL CONTROLS SHOWN IN
NORMAL ICE DISPENSING MODE



USE COPPER CONDUCTORS ONLY

L1

L2



OFF CYCLE
AGITATION
ADJ. TIMER
6 HOURS OFF
3 SEC. ON

DISPENSING
SWITCH

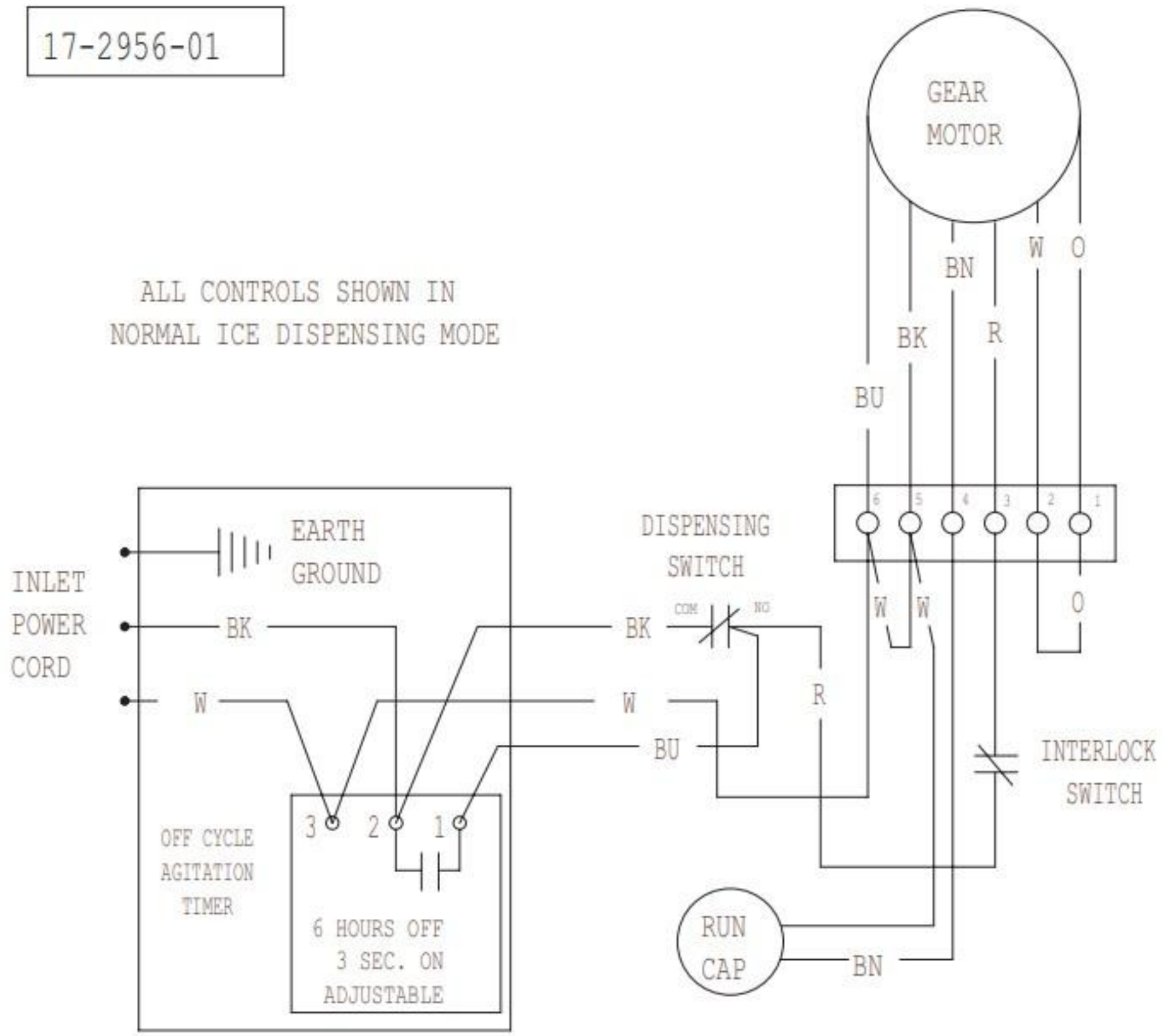
INTERLOCK
SWITCH

GEARBOX
MOTOR

RUN
CAP

17-2956-01

ALL CONTROLS SHOWN IN
NORMAL ICE DISPENSING MODE



USE COPPER CONDUCTORS ONLY