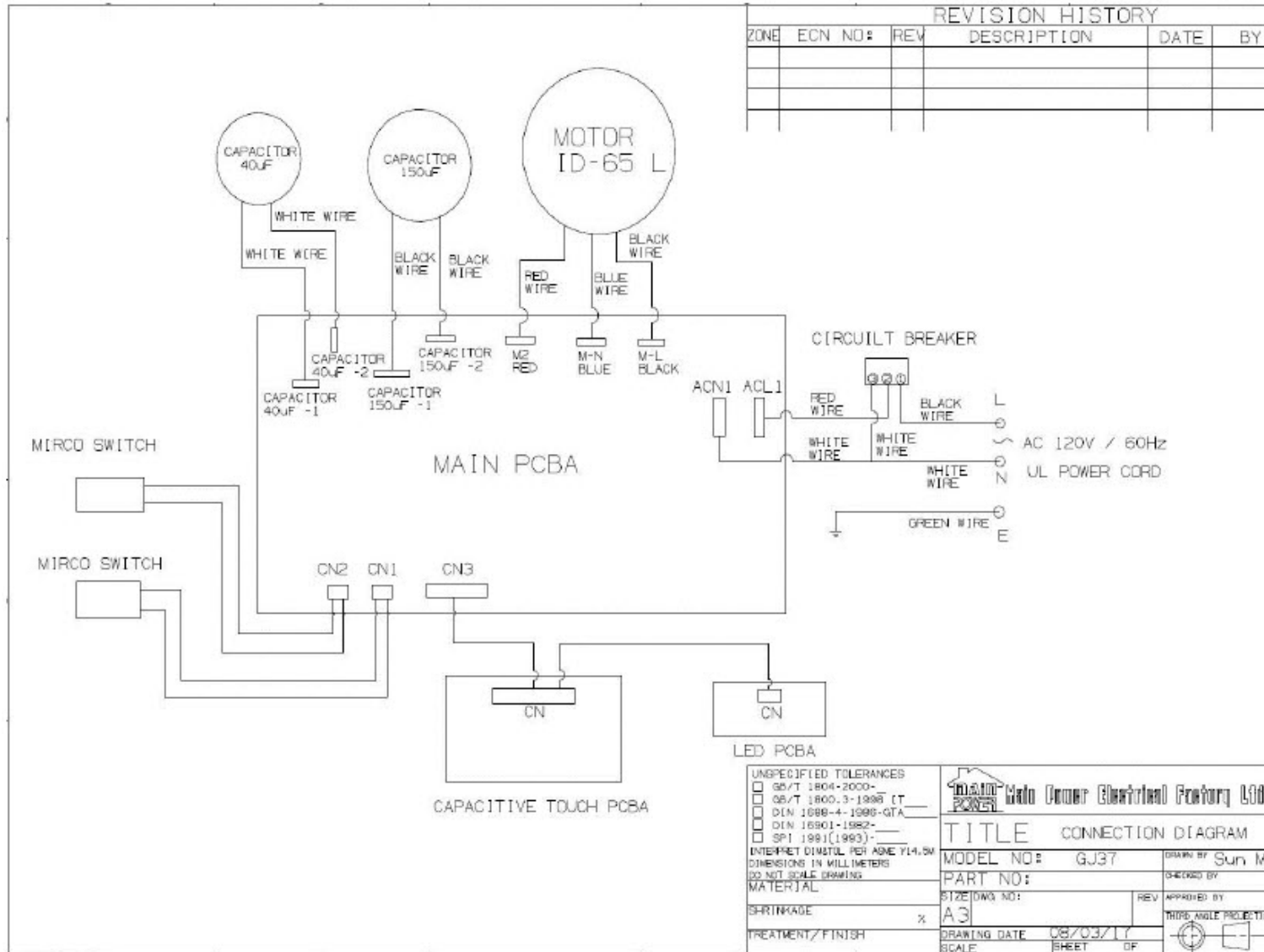


## Wiring Diagram – GJ37 Commercial Juice Extractor – 120V

**PROPRIETARY RIGHTS NOTICE** This document and all information contained within it is the property of Hamilton Beach Brands, Inc. (HBB). It is confidential and proprietary and has been provided to you for a limited purpose. It must be returned or destroyed upon request. Disclosure, reproduction or use of this document and any information contained within it, in full or in part, for any purpose is forbidden without the prior written consent of HBB. No photographs may be taken of any article fabricated or assembled from this document without the prior written consent of HBB.



**Hamilton Beach**  
4421 Waterfront Drive  
Glen Allen, VA 23060

|                              |                     |                   |          |              |        |                    |                  |                   |             |
|------------------------------|---------------------|-------------------|----------|--------------|--------|--------------------|------------------|-------------------|-------------|
| <b>Revision Description:</b> | Production Release. | <b>Request #:</b> | DOC10370 | <b>Page:</b> | 1 of 1 | <b>Document #:</b> | <b>530012700</b> | <b>Rev. Date:</b> | 29-Jun-2020 |
|                              |                     |                   |          |              |        |                    |                  | <b>Rev:</b>       | <b>A</b>    |