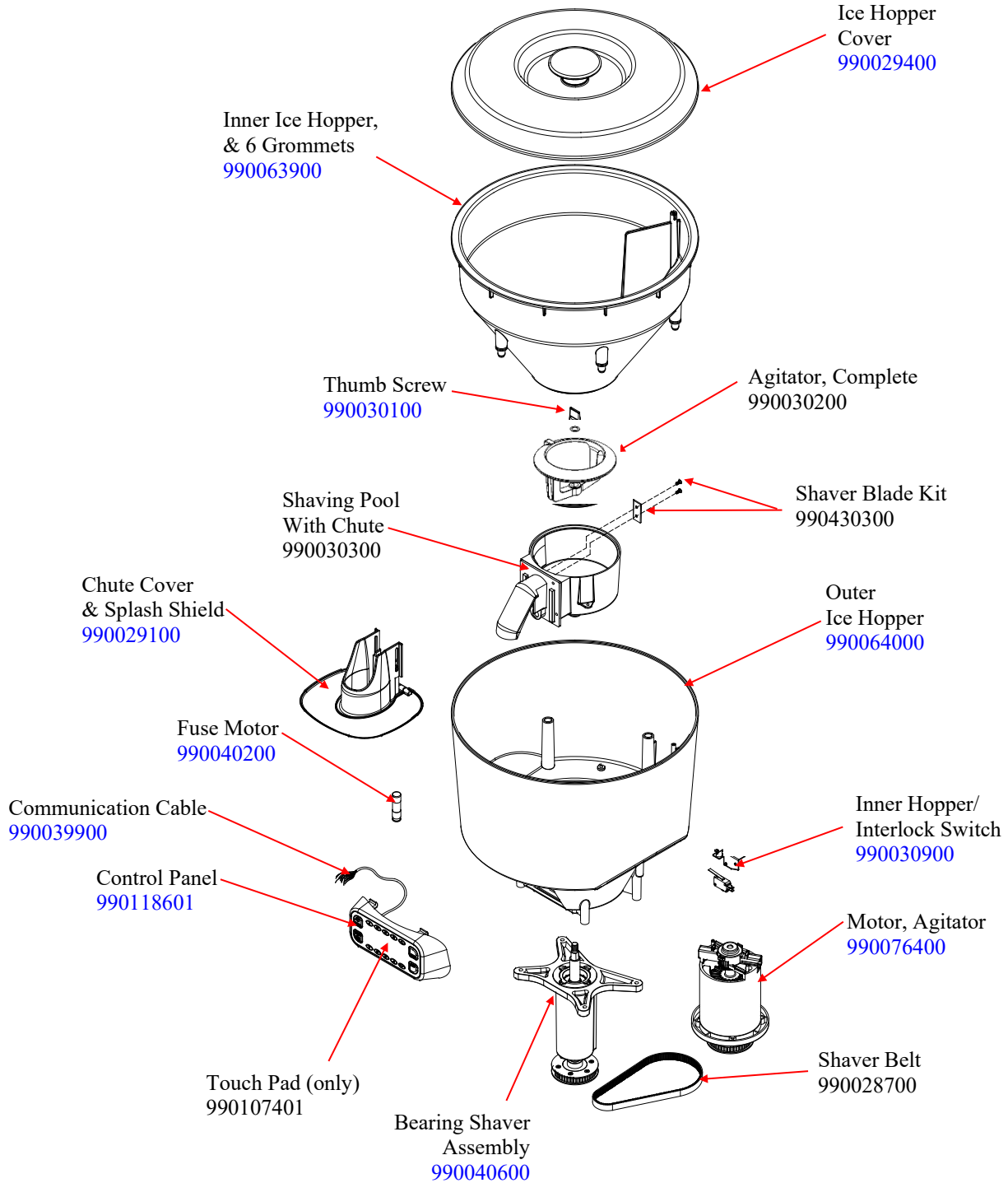



Replacement Parts Diagram Model HBS1200-UK

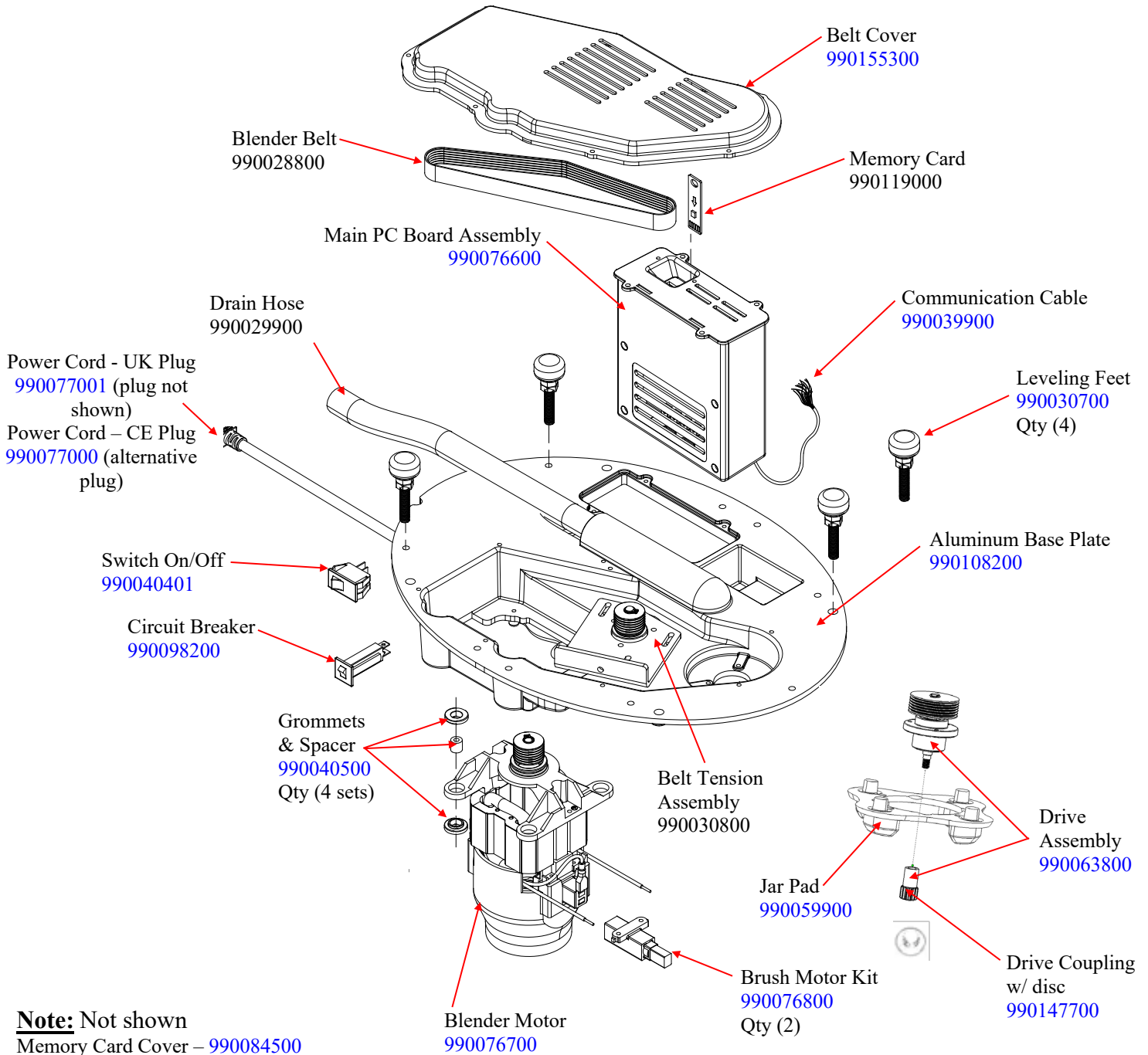
PROPRIETARY RIGHTS NOTICE This document and all information contained within it is the property of Hamilton Beach Brands, Inc. (HBB). It is confidential and proprietary and has been provided to you for a limited purpose. It must be returned or destroyed upon request. Disclosure, reproduction or use of this document and any information contained within it, in full or in part, for any purpose is forbidden without the prior written consent of HBB. No photographs may be taken of any article fabricated or assembled from this document without the prior written consent of HBB.



 Hamilton Beach 4421 Waterfront Drive Glen Allen, VA 23060	Revision Description:	Update Shaver Blade Kit part number				
	Request Number:	DOC14074	Revision Date:	8/22/2024	Approved by:	DOC14074
	Issue Code(s):		Page:	1 of 4	Document #:	540085200
					Rev:	F

Replacement Parts Diagram Model HBS1200-UK

PROPRIETARY RIGHTS NOTICE This document and all information contained within it is the property of Hamilton Beach Brands, Inc. (HBB). It is confidential and proprietary and has been provided to you for a limited purpose. It must be returned or destroyed upon request. Disclosure, reproduction or use of this document and any information contained within it, in full or in part, for any purpose is forbidden without the prior written consent of HBB. No photographs may be taken of any article fabricated or assembled from this document without the prior written consent of HBB.



Note: Not shown

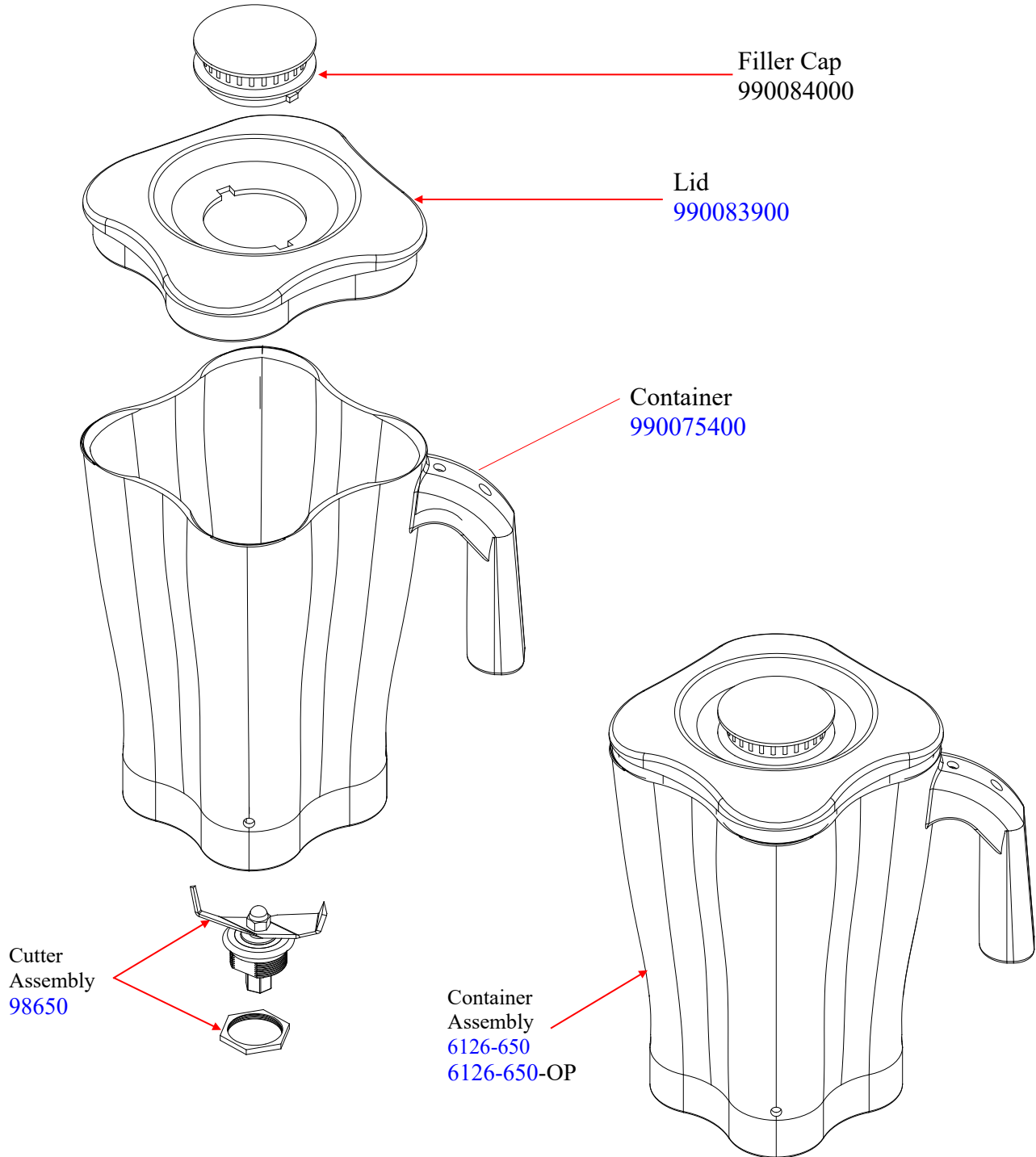
- Memory Card Cover – 990084500
- Jar Sensor – 990102400
- Drain Elbow Tube – 990104900
- Drain Hose Extension – 990105300
- Drain Tube with Sensor – 990109300
- Blender Base Plate – 990110900


<p>Hamilton Beach 4421 Waterfront Drive Glen Allen, VA 23060</p>	Revision Description:	Update Shaver Blade Kit part number				
	Request Number:	DOC14074	Revision Date:	8/22/2024	Approved by:	DOC14074
	Issue Code(s):		Page:	2 of 4	Document #:	540085200
					Rev:	F

Replacement Parts Diagram

Model HBS1200-UK

PROPRIETARY RIGHTS NOTICE This document and all information contained within it is the property of Hamilton Beach Brands, Inc. (HBB). It is confidential and proprietary and has been provided to you for a limited purpose. It must be returned or destroyed upon request. Disclosure, reproduction or use of this document and any information contained within it, in full or in part, for any purpose is forbidden without the prior written consent of HBB. No photographs may be taken of any article fabricated or assembled from this document without the prior written consent of HBB.



 4421 Waterfront Drive Glen Allen, VA 23060	Revision Description:	Update Shaver Blade Kit part number				
	Request Number:	DOC14074	Revision Date:	8/22/2024	Approved by:	DOC14074
	Issue Code(s):		Page:	3 of 4	Document #:	540085200
					Rev:	F

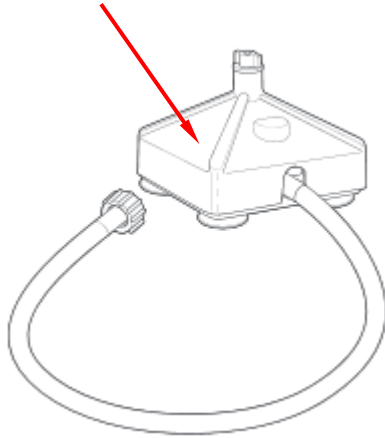
Replacement Parts Diagram

Model HBS1200-UK

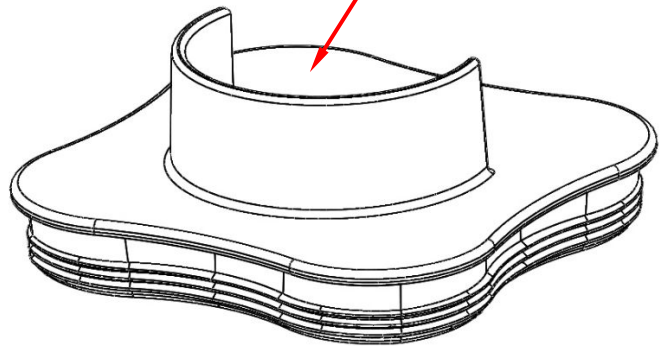
PROPRIETARY RIGHTS NOTICE This document and all information contained within it is the property of Hamilton Beach Brands, Inc. (HBB). It is confidential and proprietary and has been provided to you for a limited purpose. It must be returned or destroyed upon request. Disclosure, reproduction or use of this document and any information contained within it, in full or in part, for any purpose is forbidden without the prior written consent of HBB. No photographs may be taken of any article fabricated or assembled from this document without the prior written consent of HBB.

ACCESSORIES

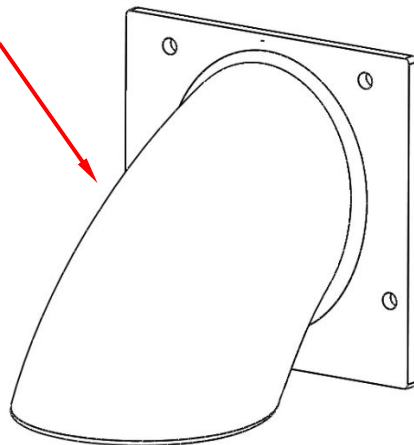
Container Washer
BCR100



Jar Lid
990234500



Chute
990234400



Hamilton Beach 4421 Waterfront Drive Glen Allen, VA 23060	Revision Description:	Update Shaver Blade Kit part number					
	Request Number:	DOC14074	Revision Date:	8/22/2024	Approved by:	DOC14074	
	Issue Code(s):		Page:	4 of 4	Document #:	540085200	Rev: