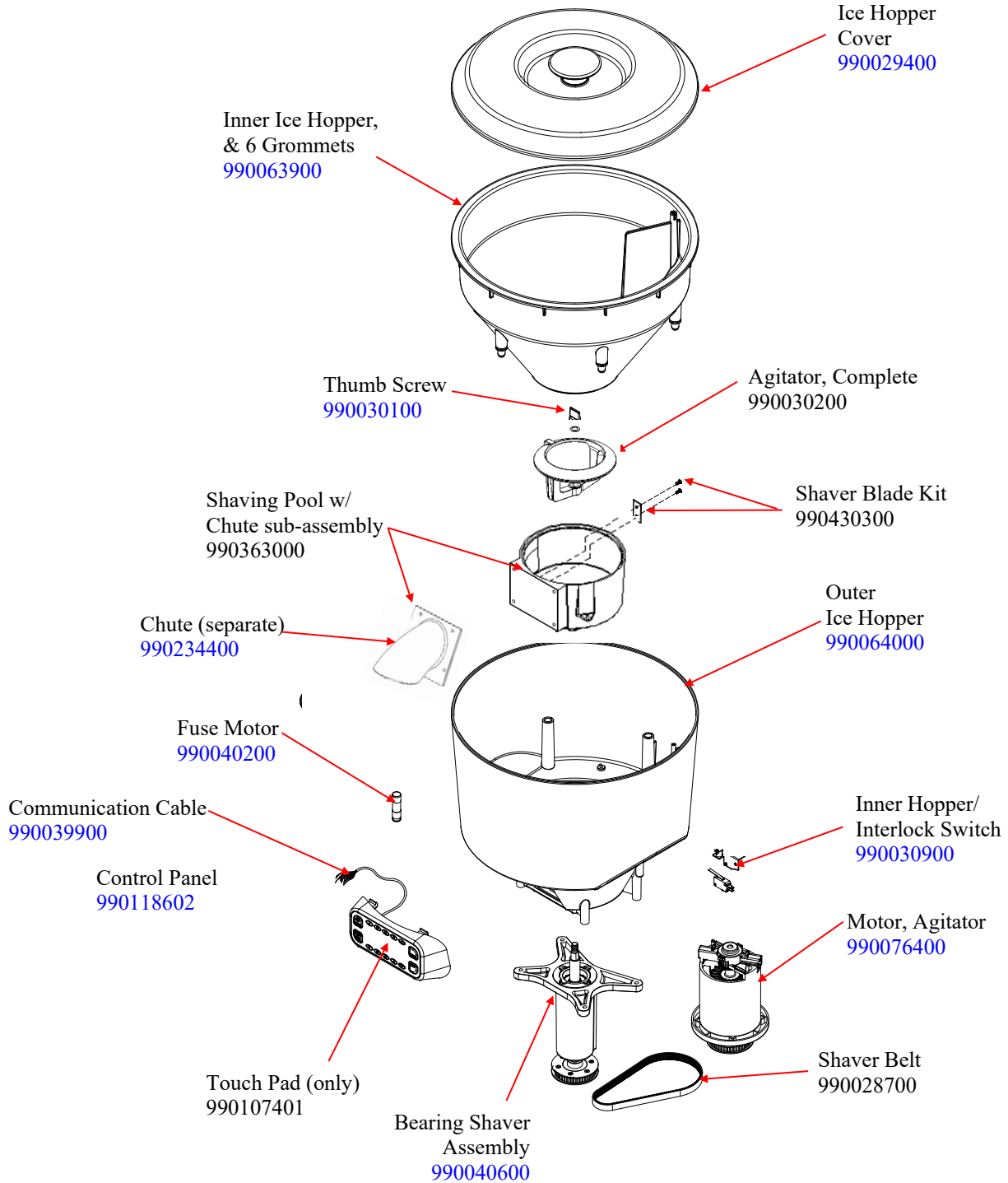



Parts & Accessories Diagram Model HBS1200-CE

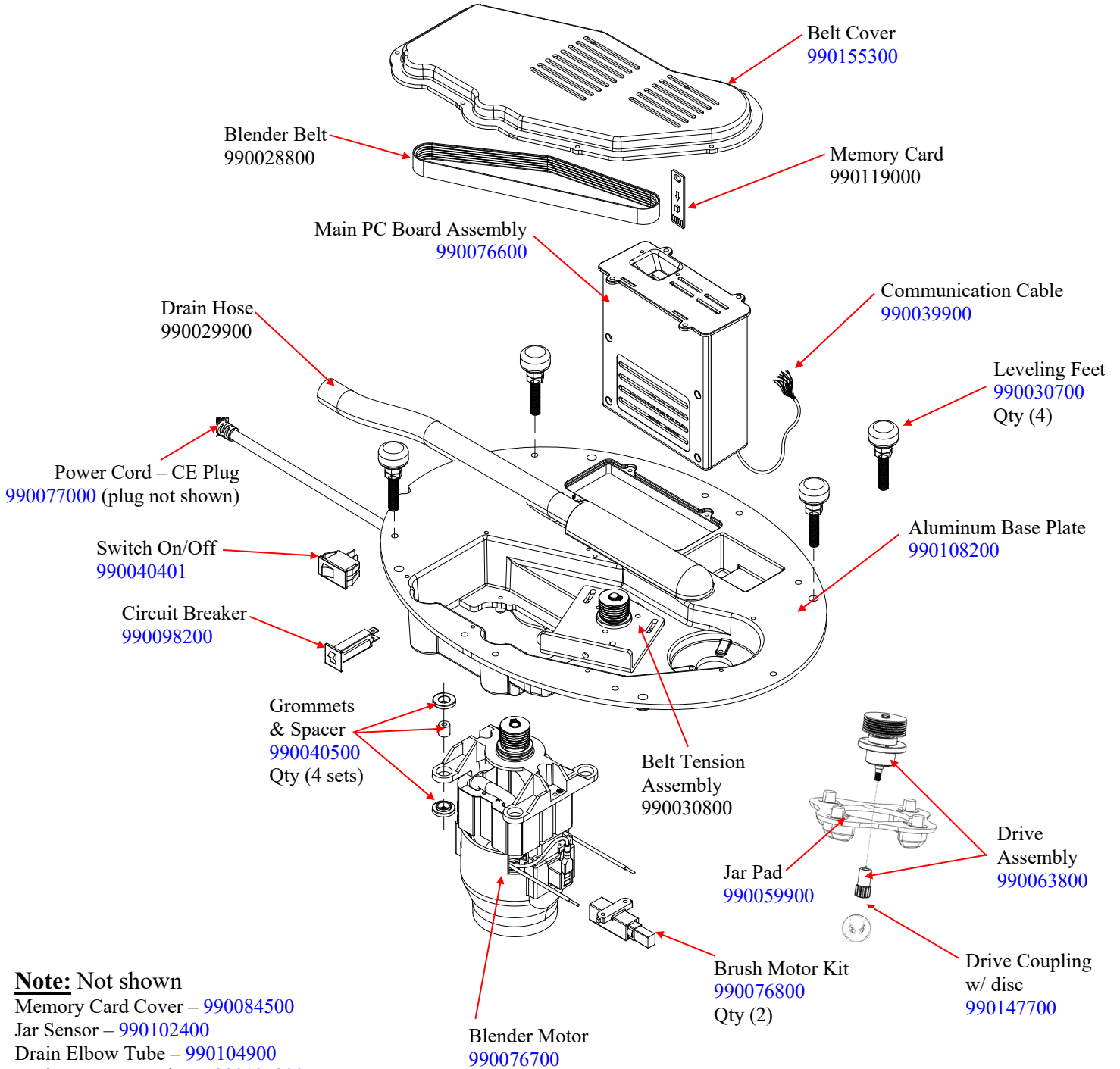
PROPRIETARY RIGHTS NOTICE This document and all information contained within it is the property of Hamilton Beach Brands, Inc. (HBB). It is confidential and proprietary and has been provided to you for a limited purpose. It must be returned or destroyed upon request. Disclosure, reproduction or use of this document and any information contained within it, in full or in part, for any purpose is forbidden without the prior written consent of HBB. No photographs may be taken of any article fabricated or assembled from this document without the prior written consent of HBB.



 Hamilton Beach 4421 Waterfront Drive Glen Allen, VA 23060	Revision Description:	Update Shaver Blade Kit part number				
	Request Number:	DOC14074	Revision Date:	8/22/2024	Approved by:	DOC14074
	Issue Code(s):		Page:	1 of 4	Document #:	540088700
					Rev:	G


Parts & Accessories Diagram Model HBS1200-CE

PROPRIETARY RIGHTS NOTICE This document and all information contained within it is the property of Hamilton Beach Brands, Inc. (HBB). It is confidential and proprietary and has been provided to you for a limited purpose. It must be returned or destroyed upon request. Disclosure, reproduction or use of this document and any information contained within it, in full or in part, for any purpose is forbidden without the prior written consent of HBB. No photographs may be taken of any article fabricated or assembled from this document without the prior written consent of HBB.



Note: Not shown

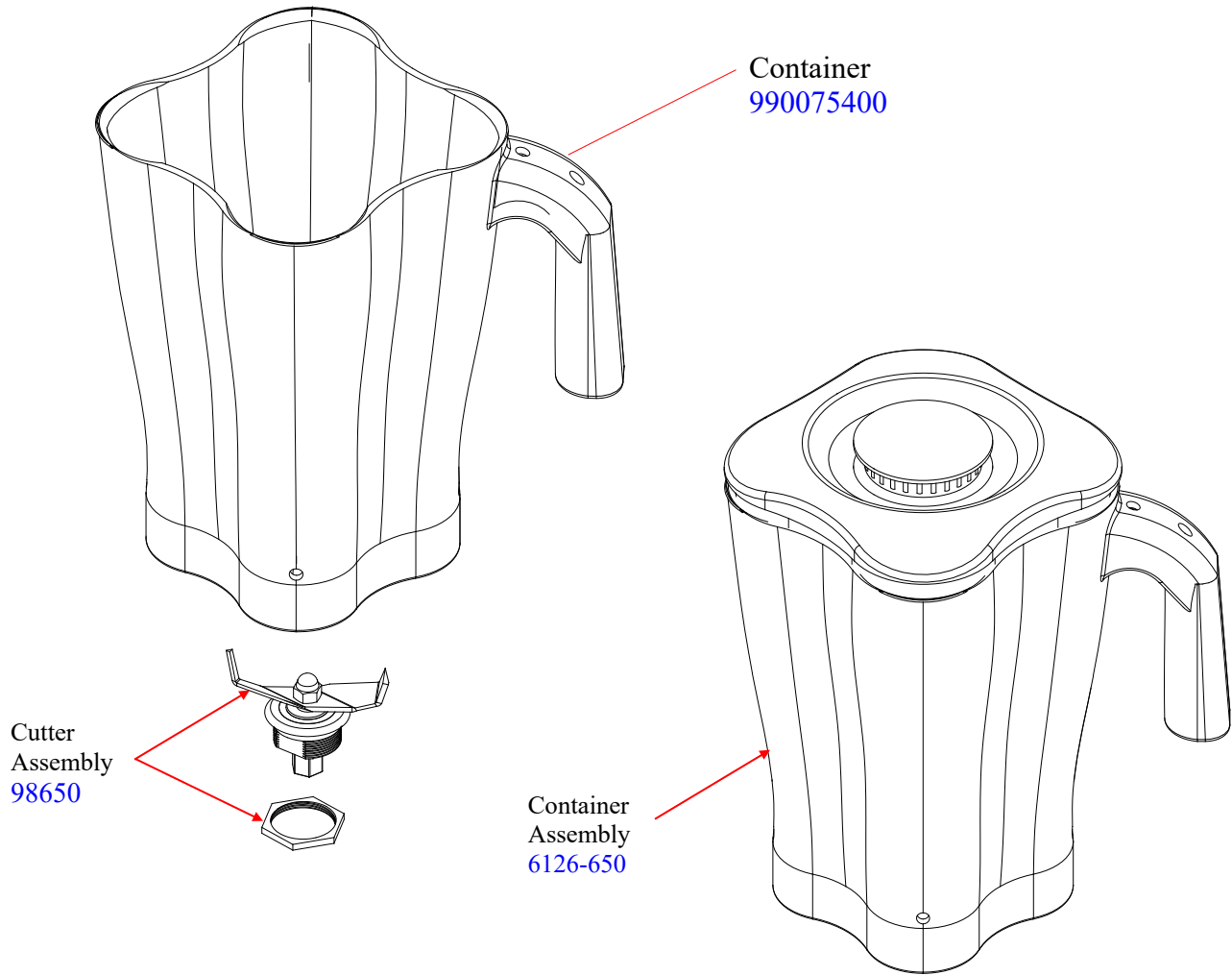
- Memory Card Cover – 990084500
- Jar Sensor – 990102400
- Drain Elbow Tube – 990104900
- Drain Hose Extension – 990105300
- Drain Tube with Sensor – 990109300
- Blender Base Plate – 990110900
- Plug Kit: 990363200
- Fastener Kit: 990363100


 <p>Hamilton Beach 4421 Waterfront Drive Glen Allen, VA 23060</p>	Revision Description:	Update Shaver Blade Kit part number				
	Request Number:	DOC14074	Revision Date:	8/22/2024	Approved by:	DOC14074
	Issue Code(s):		Page:	2 of 4	Document #:	540088700
					Rev:	G

Parts & Accessories Diagram

Model HBS1200-CE

PROPRIETARY RIGHTS NOTICE This document and all information contained within it is the property of Hamilton Beach Brands, Inc. (HBB). It is confidential and proprietary and has been provided to you for a limited purpose. It must be returned or destroyed upon request. Disclosure, reproduction or use of this document and any information contained within it, in full or in part, for any purpose is forbidden without the prior written consent of HBB. No photographs may be taken of any article fabricated or assembled from this document without the prior written consent of HBB.



 4421 Waterfront Drive Glen Allen, VA 23060	Revision Description:	Update Shaver Blade Kit part number				
	Request Number:	DOC14074	Revision Date:	8/22/2024	Approved by:	DOC14074
	Issue Code(s):		Page:	3 of 4	Document #:	540088700
					Rev:	G

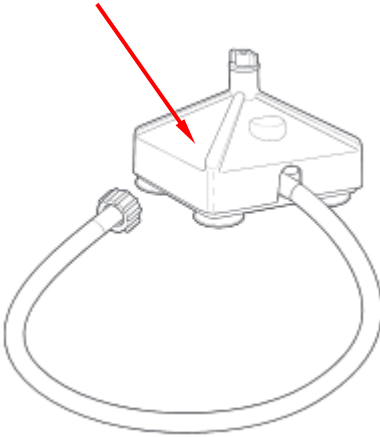
Parts & Accessories Diagram

Model HBS1200-CE

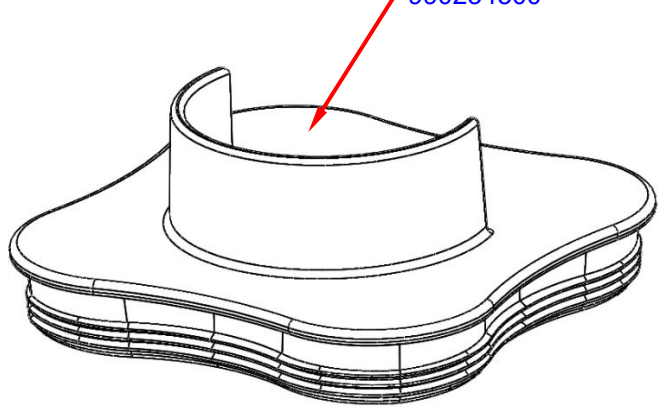
PROPRIETARY RIGHTS NOTICE This document and all information contained within it is the property of Hamilton Beach Brands, Inc. (HBB). It is confidential and proprietary and has been provided to you for a limited purpose. It must be returned or destroyed upon request. Disclosure, reproduction or use of this document and any information contained within it, in full or in part, for any purpose is forbidden without the prior written consent of HBB. No photographs may be taken of any article fabricated or assembled from this document without the prior written consent of HBB.

ACCESSORIES:

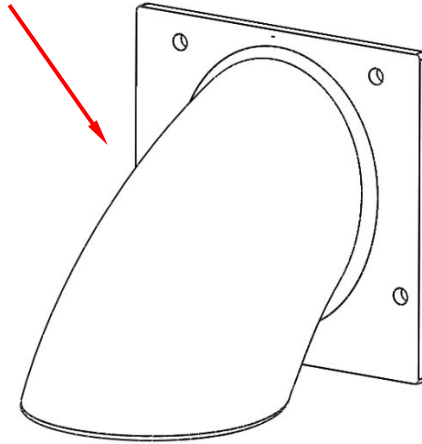
Container Washer
BCR100




Jar Lid
990234500



Chute
990234400



 4421 Waterfront Drive Glen Allen, VA 23060	Revision Description:	Update Shaver Blade Kit part number				
	Request Number:	DOC14074	Revision Date:	8/22/2024	Approved by:	DOC14074
	Issue Code(s):		Page:	4 of 4	Document #:	540088700
					Rev:	G