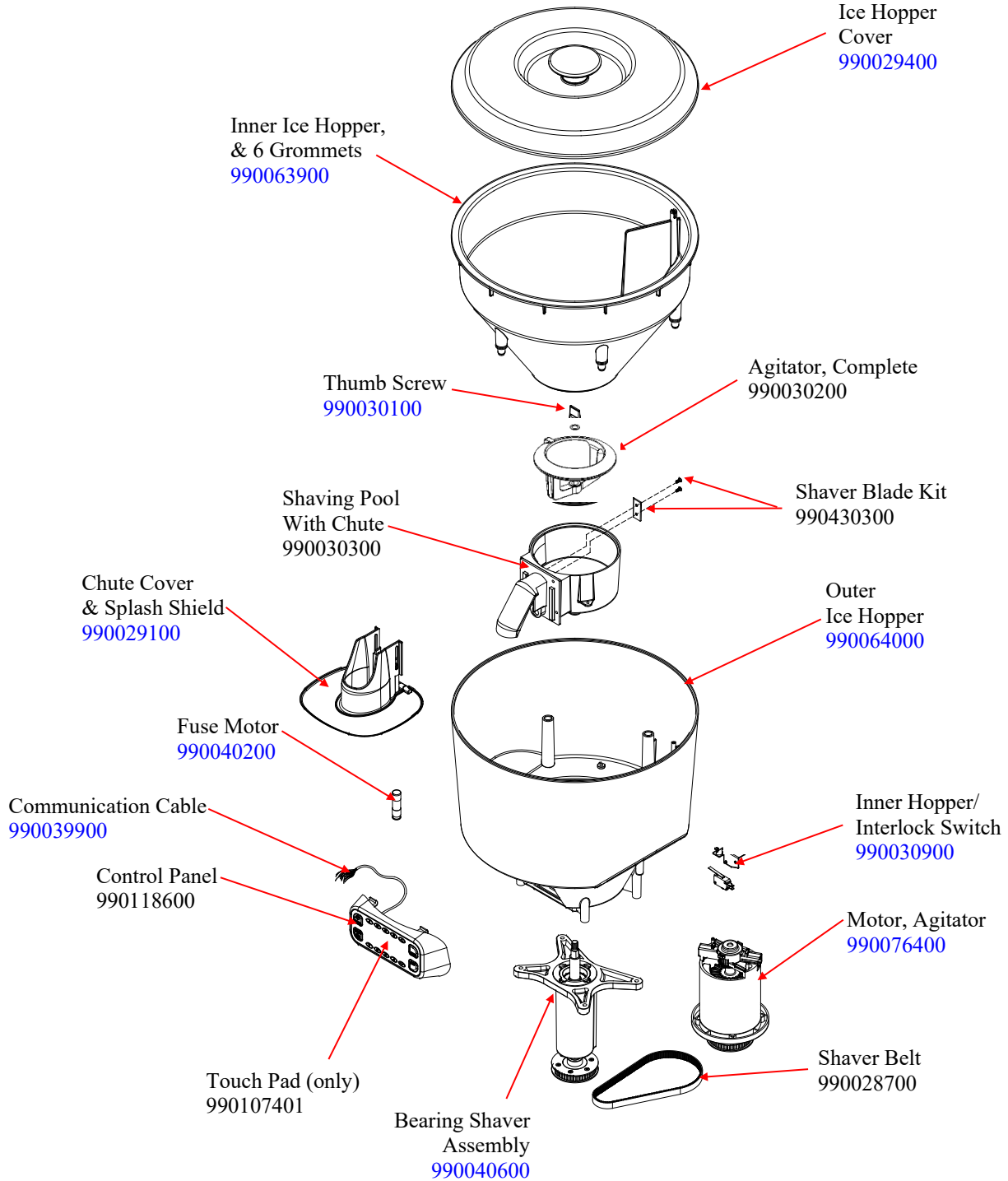



Parts & Accessories Diagram Model HBS1200-CE

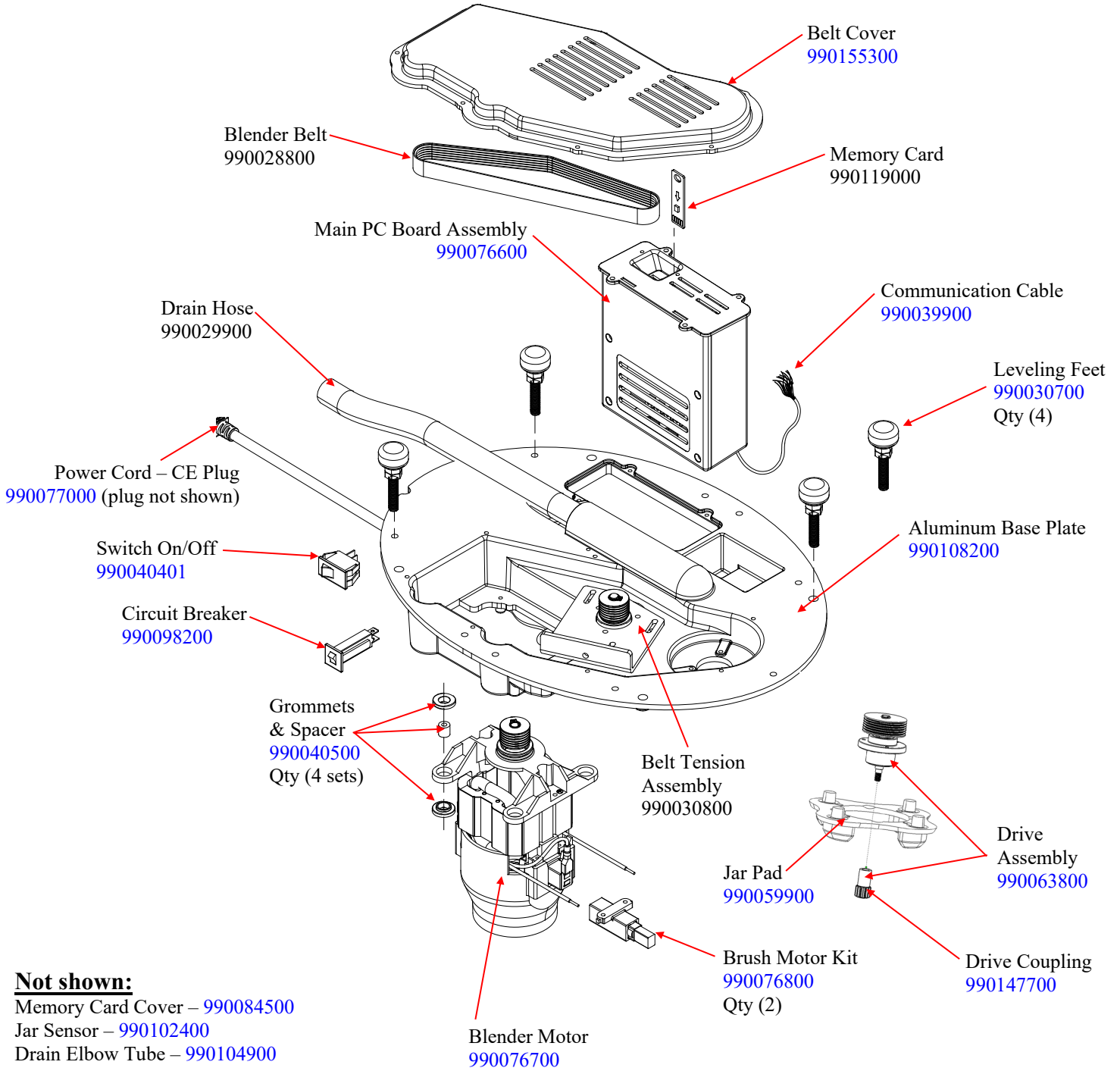
PROPRIETARY RIGHTS NOTICE This document and all information contained within it is the property of Hamilton Beach Brands, Inc. (HBB). It is confidential and proprietary and has been provided to you for a limited purpose. It must be returned or destroyed upon request. Disclosure, reproduction or use of this document and any information contained within it, in full or in part, for any purpose is forbidden without the prior written consent of HBB. No photographs may be taken of any article fabricated or assembled from this document without the prior written consent of HBB.



 Hamilton Beach 4421 Waterfront Drive Glen Allen, VA 23060	Revision Description: Remove Conversion Kit					
	Request Number: DOC14588	Revision Date: 5/23/2025	Approved by: DOC14588			
	Issue Code(s):	Page: 1 of 4	Document #: 540008800	Rev: H		

Parts & Accessories Diagram Model HBS1200-CE

PROPRIETARY RIGHTS NOTICE This document and all information contained within it is the property of Hamilton Beach Brands, Inc. (HBB). It is confidential and proprietary and has been provided to you for a limited purpose. It must be returned or destroyed upon request. Disclosure, reproduction or use of this document and any information contained within it, in full or in part, for any purpose is forbidden without the prior written consent of HBB. No photographs may be taken of any article fabricated or assembled from this document without the prior written consent of HBB.



Not shown:

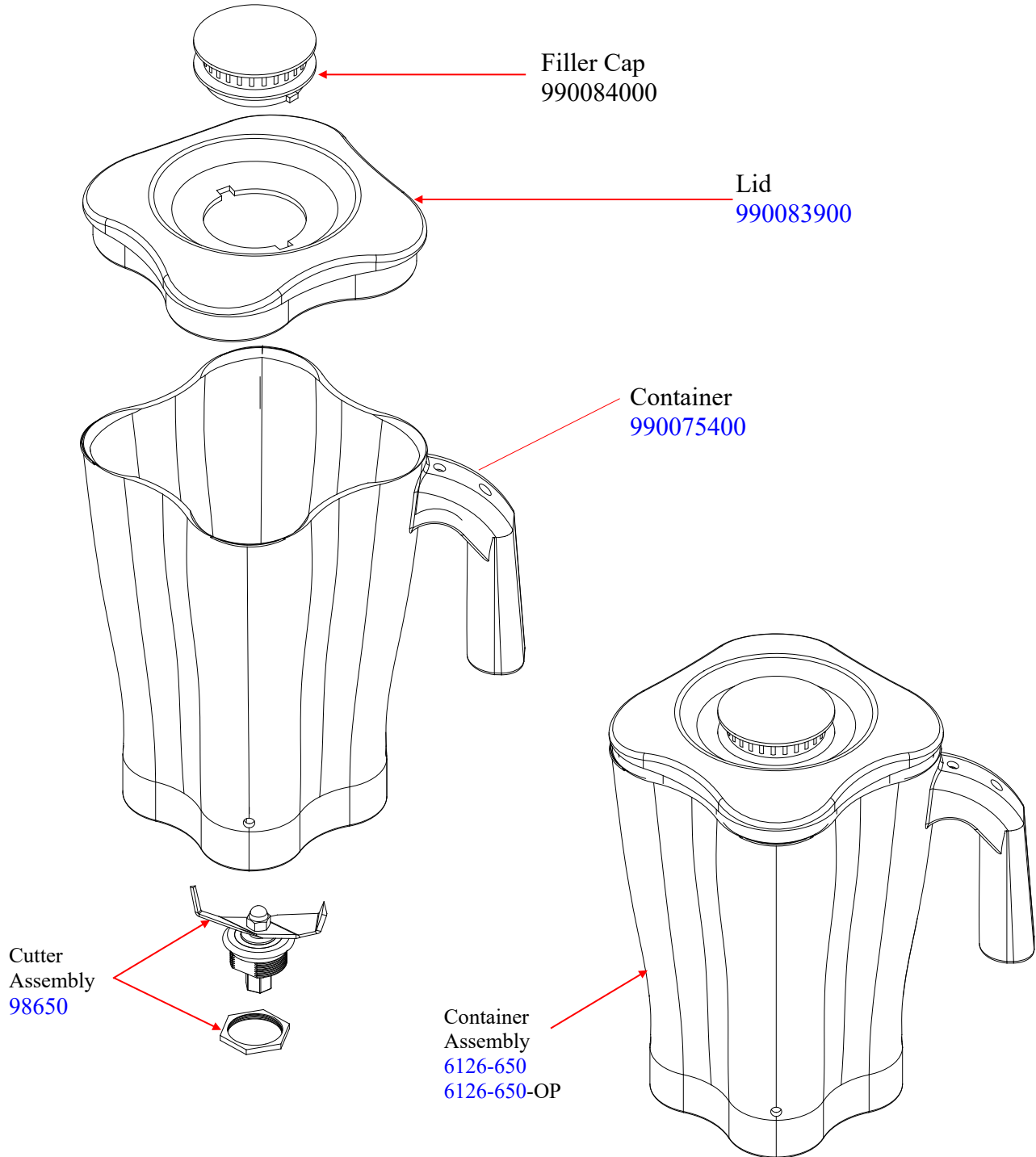
- Memory Card Cover – 990084500
- Jar Sensor – 990102400
- Drain Elbow Tube – 990104900
- Drain Hose Extension – 990105300
- Drain Tube with Sensor – 990109300
- Blender Base Plate – 990110900


 4421 Waterfront Drive Glen Allen, VA 23060	Revision Description: Remove Conversion Kit					
	Request Number: DOC14588	Revision Date: 5/23/2025	Approved by: DOC14588			
	Issue Code(s):	Page: 2 of 4	Document #: 540008800	Rev: H		

Parts & Accessories Diagram

Model HBS1200-CE

PROPRIETARY RIGHTS NOTICE This document and all information contained within it is the property of Hamilton Beach Brands, Inc. (HBB). It is confidential and proprietary and has been provided to you for a limited purpose. It must be returned or destroyed upon request. Disclosure, reproduction or use of this document and any information contained within it, in full or in part, for any purpose is forbidden without the prior written consent of HBB. No photographs may be taken of any article fabricated or assembled from this document without the prior written consent of HBB.



 <p>Hamilton Beach 4421 Waterfront Drive Glen Allen, VA 23060</p>	Revision Description: Remove Conversion Kit					
	Request Number: DOC14588	Revision Date: 5/23/2025	Approved by: DOC14588			
	Issue Code(s):	Page: 3 of 4	Document #: 540008800	Rev: H		

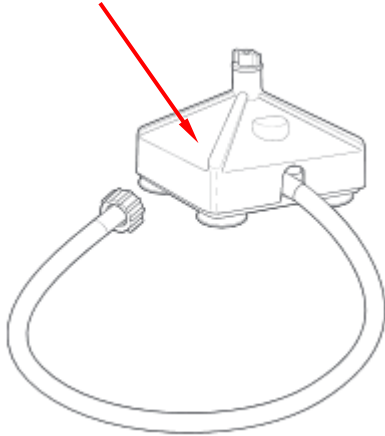
Parts & Accessories Diagram

Model HBS1200-CE

PROPRIETARY RIGHTS NOTICE This document and all information contained within it is the property of Hamilton Beach Brands, Inc. (HBB). It is confidential and proprietary and has been provided to you for a limited purpose. It must be returned or destroyed upon request. Disclosure, reproduction or use of this document and any information contained within it, in full or in part, for any purpose is forbidden without the prior written consent of HBB. No photographs may be taken of any article fabricated or assembled from this document without the prior written consent of HBB.

ACCESSORIES:

Container Washer
BCR100



Hamilton Beach 4421 Waterfront Drive Glen Allen, VA 23060	Revision Description:		Remove Conversion Kit				
	Request Number:	DOC14588	Revision Date:	5/23/2025	Approved by:	DOC14588	
	Issue Code(s):		Page:	4 of 4	Document #:	540008800	Rev: