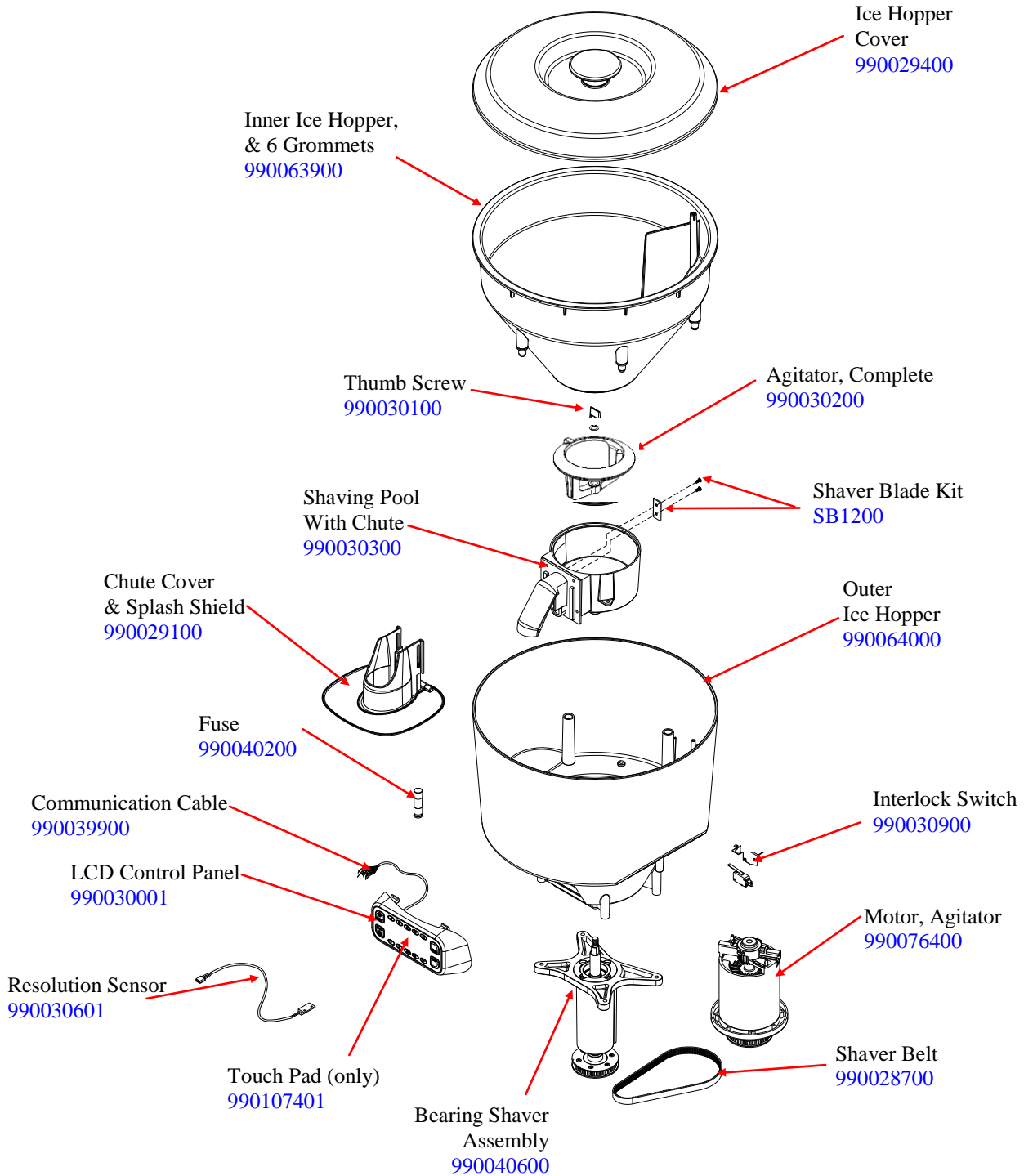


Replacement Parts Diagram Model HBS1200-CCC

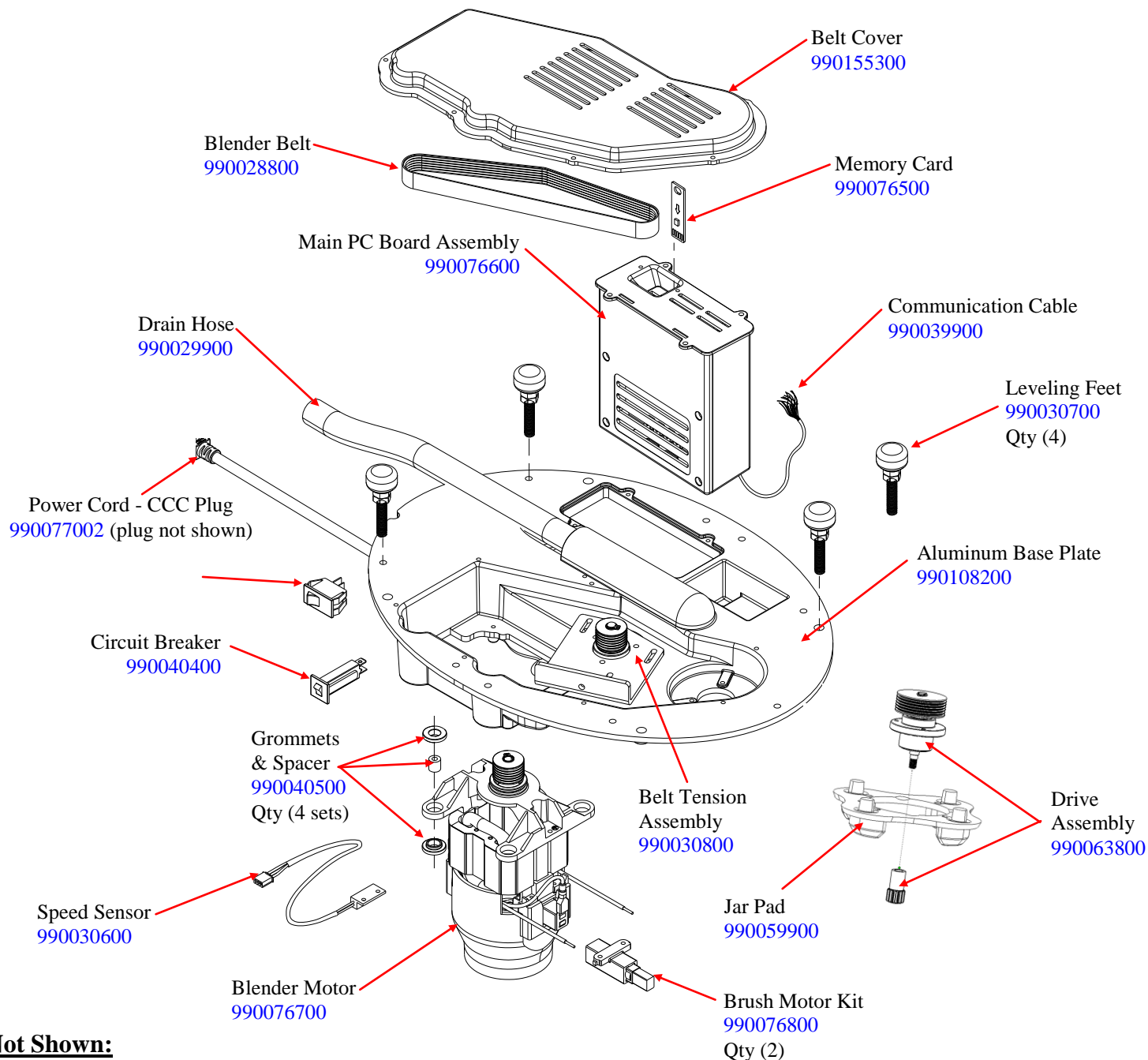
PROPRIETARY RIGHTS NOTICE This document and all information contained within it is the property of Hamilton Beach Brands, Inc. (HBB). It is confidential and proprietary and has been provided to you for a limited purpose. It must be returned or destroyed upon request. Disclosure, reproduction or use of this document and any information contained within it, in full or in part, for any purpose is forbidden without the prior written consent of HBB. No photographs may be taken of any article fabricated or assembled from this document without the prior written consent of HBB.



 Hamilton Beach 4421 Waterfront Drive Glen Allen, VA 23060	Revision Description:	Replace Touch Pad part number.				
	Request Number:	DOC7298	Revision Date:	10/23/13	Approved by:	DOC7298
	Issue Code(s):		Page:	1 of 4	Document #:	540008700
					Rev:	D

Replacement Parts Diagram Model HBS1200-CCC

PROPRIETARY RIGHTS NOTICE This document and all information contained within it is the property of Hamilton Beach Brands, Inc. (HBB). It is confidential and proprietary and has been provided to you for a limited purpose. It must be returned or destroyed upon request. Disclosure, reproduction or use of this document and any information contained within it, in full or in part, for any purpose is forbidden without the prior written consent of HBB. No photographs may be taken of any article fabricated or assembled from this document without the prior written consent of HBB.



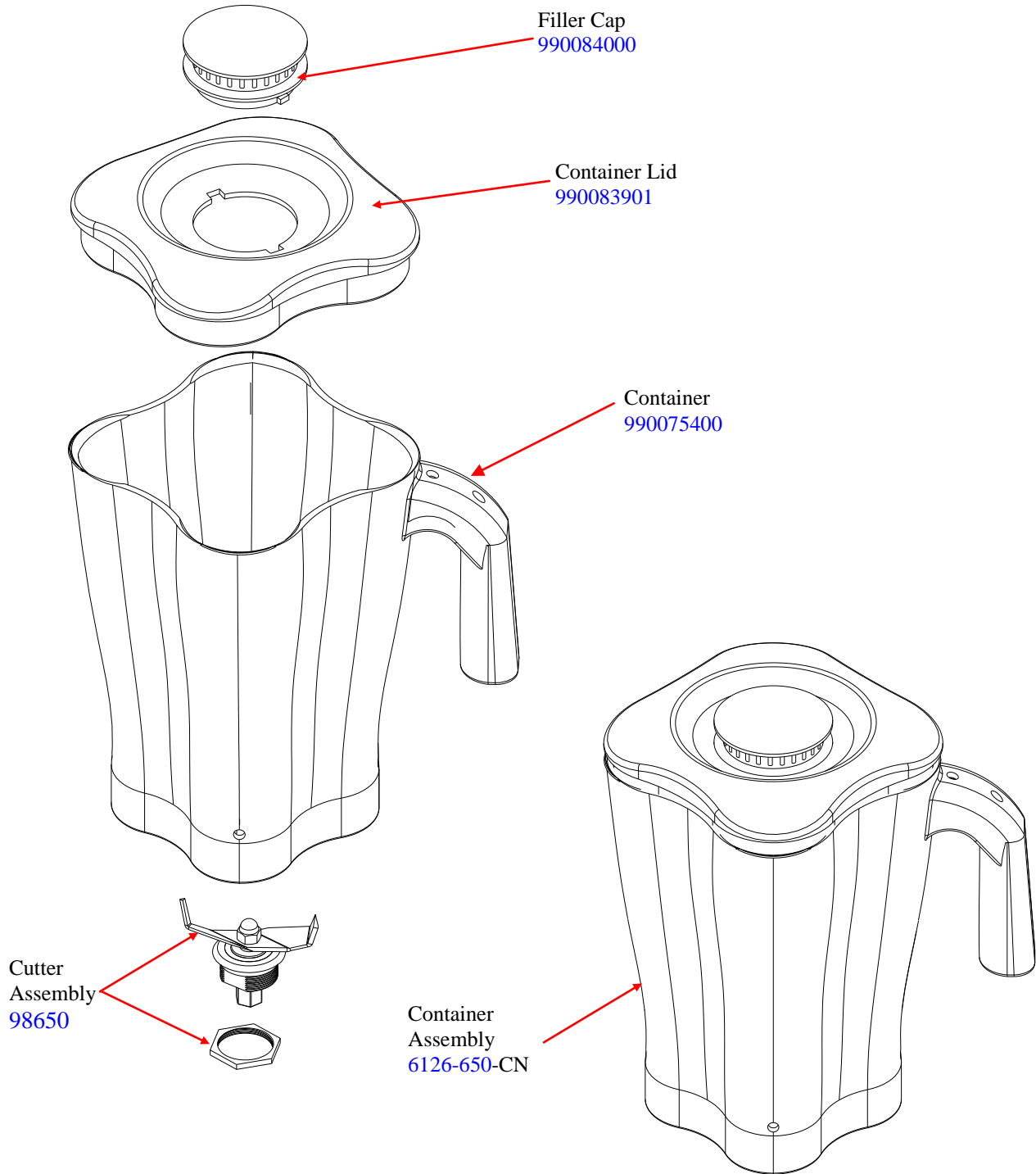
Not Shown:


- Memory Card Cover - 990084500
- Jar Sensor - 990102400
- Drain Elbow Tube - 9900104900
- Drain Hose Extension - 990105300
- Drain Tube with Sensor - 990109300
- Blender Base Plate - 990110900

<p>Hamilton Beach 4421 Waterfront Drive Glen Allen, VA 23060</p>	Revision Description:	Replace Touch Pad part number.				
	Request Number:	DOC7298	Revision Date:	10/23/13	Approved by:	DOC7298
	Issue Code(s):		Page:	2 of 4	Document #:	540008700
					Rev:	D

Replacement Parts Diagram Model HBS1200-CCC

PROPRIETARY RIGHTS NOTICE This document and all information contained within it is the property of Hamilton Beach Brands, Inc. (HBB). It is confidential and proprietary and has been provided to you for a limited purpose. It must be returned or destroyed upon request. Disclosure, reproduction or use of this document and any information contained within it, in full or in part, for any purpose is forbidden without the prior written consent of HBB. No photographs may be taken of any article fabricated or assembled from this document without the prior written consent of HBB.



 4421 Waterfront Drive Glen Allen, VA 23060	Revision Description: Replace Touch Pad part number.		Revision Date: 10/23/13		Approved by: DOC7298	
	Request Number: DOC7298	Page: 3 of 4		Document #: 540008700	Rev: D	
	Issue Code(s):					

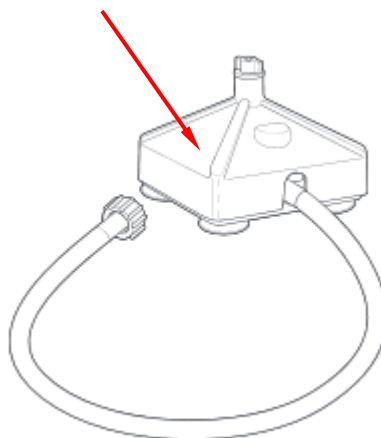
Replacement Parts Diagram

Model HBS1200-CCC

PROPRIETARY RIGHTS NOTICE This document and all information contained within it is the property of Hamilton Beach Brands, Inc. (HBB). It is confidential and proprietary and has been provided to you for a limited purpose. It must be returned or destroyed upon request. Disclosure, reproduction or use of this document and any information contained within it, in full or in part, for any purpose is forbidden without the prior written consent of HBB. No photographs may be taken of any article fabricated or assembled from this document without the prior written consent of HBB.

ACCESSORIES:

Container Washer
BCR100



Hamilton Beach 4421 Waterfront Drive Glen Allen, VA 23060	Revision Description:		Replace Touch Pad part number.					
	Request Number:	DOC7298	Revision Date:	10/23/13	Approved by:	DOC7298		
	Issue Code(s):		Page:	4 of 4	Document #:	540008700	Rev:	D