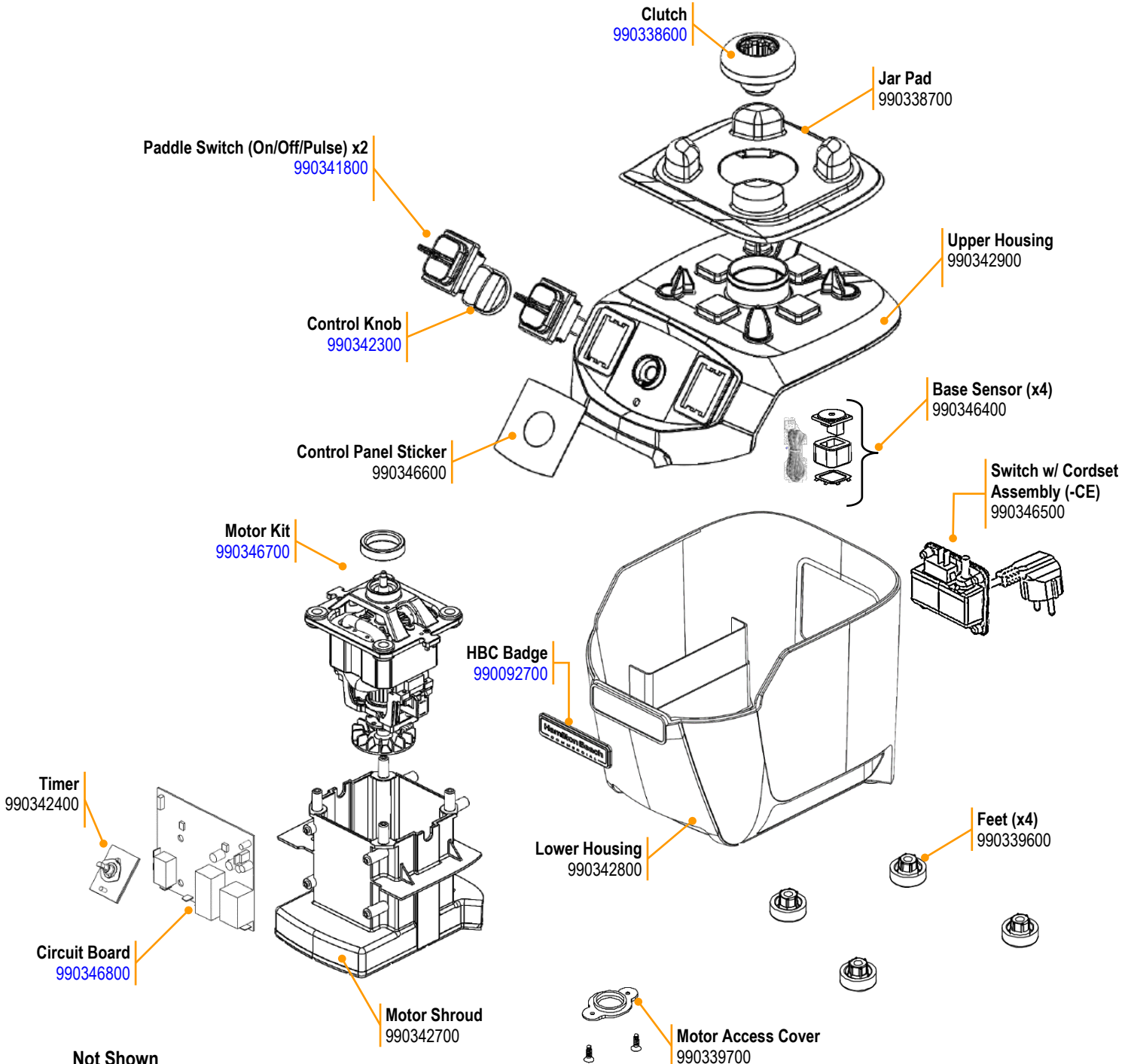



## Parts & Accessories Diagram

**PROPRIETARY RIGHTS NOTICE** This document and all information contained within it is the property of Hamilton Beach Brands, Inc. (HBB). It is confidential and proprietary and has been provided to you for a limited purpose. It must be returned or destroyed upon request. Disclosure, reproduction or use of this document and any information contained within it, in full or in part, for any purpose is forbidden without the prior written consent of HBB. No photographs may be taken of any article fabricated or assembled from this document without the prior written consent of HBB.

### Replacement Parts

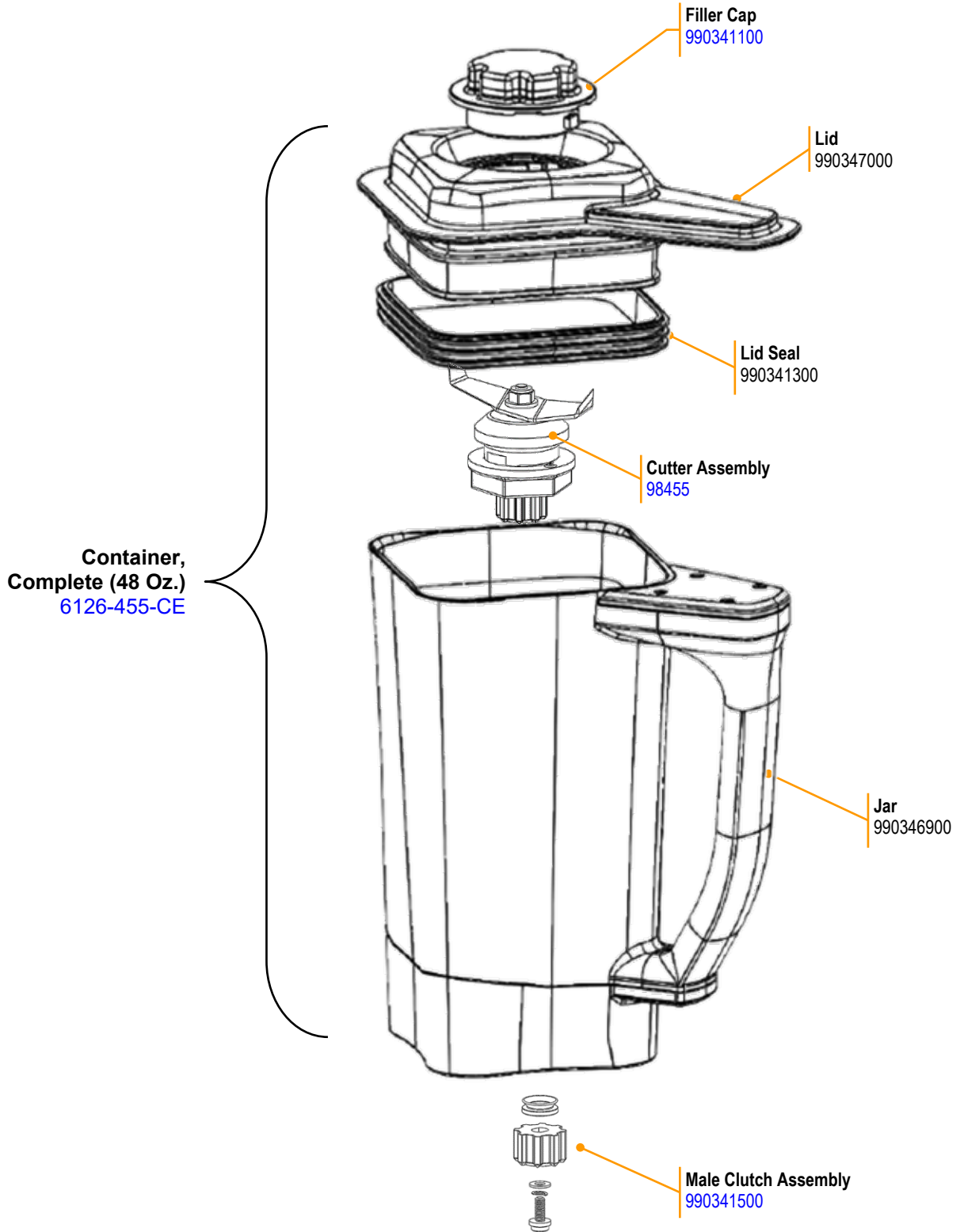


**Not Shown**  
**Motor Brush Kit (230 V)**  
990430400

 4421 Waterfront Drive Glen Allen, VA 23060	Revision	Update Motor Brush Kit part number				Rev. Date:
	Description:					9/27/2024
Request #:	DOC13075	Page:	1 of 3	Document #:	<b>540101501</b>	Rev: <b>C</b>

## Parts & Accessories Diagram

**PROPRIETARY RIGHTS NOTICE** This document and all information contained within it is the property of Hamilton Beach Brands, Inc. (HBB). It is confidential and proprietary and has been provided to you for a limited purpose. It must be returned or destroyed upon request. Disclosure, reproduction or use of this document and any information contained within it, in full or in part, for any purpose is forbidden without the prior written consent of HBB. No photographs may be taken of any article fabricated or assembled from this document without the prior written consent of HBB.

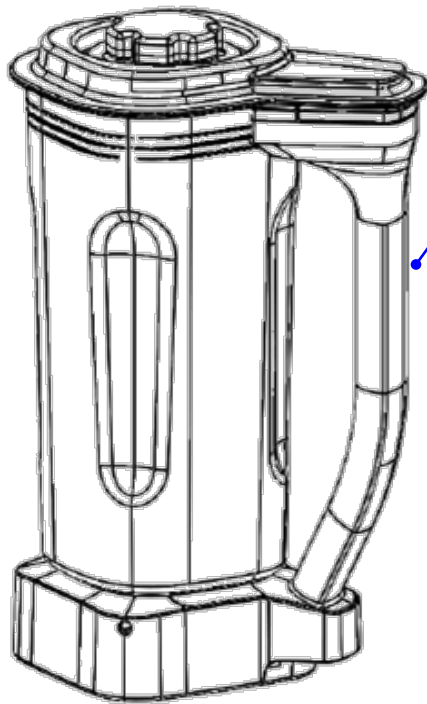


4421 Waterfront Drive Glen Allen, VA 23060	Revision	Update Motor Brush Kit part number				Rev. Date:
	Description:					9/27/2024
Request #:	DOC13075	Page:	2 of 3	Document #:	<b>540101501</b>	Rev: <b>C</b>

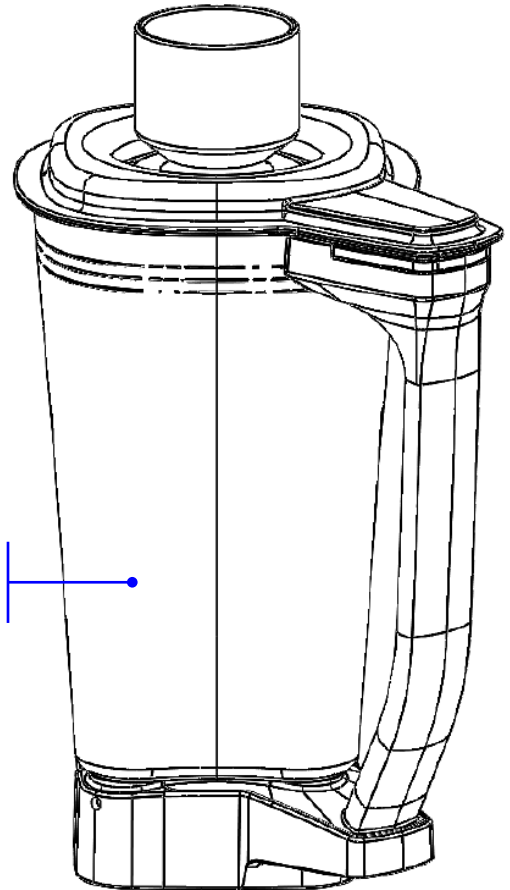
## Parts & Accessories Diagram

**PROPRIETARY RIGHTS NOTICE** This document and all information contained within it is the property of Hamilton Beach Brands, Inc. (HBB). It is confidential and proprietary and has been provided to you for a limited purpose. It must be returned or destroyed upon request. Disclosure, reproduction or use of this document and any information contained within it, in full or in part, for any purpose is forbidden without the prior written consent of HBB. No photographs may be taken of any article fabricated or assembled from this document without the prior written consent of HBB.

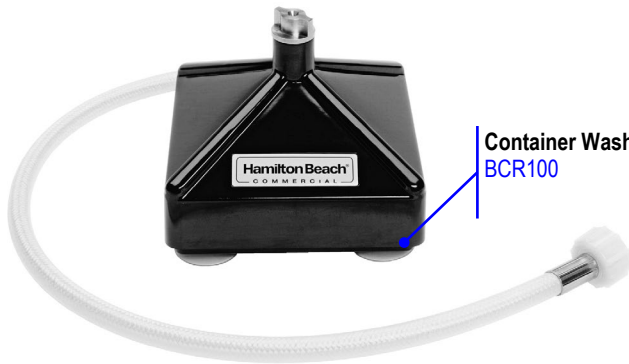
### Accessories




Container, Complete  
(Stainless Steel, 32 Oz.)  
6126-255S-CE



Container, Complete  
(Stainless Steel, 64 Oz.)  
6126-510S-CE



Container Washer  
BCR100

 4421 Waterfront Drive Glen Allen, VA 23060	Revision	Update Motor Brush Kit part number				Rev. Date:
	Description:					9/27/2024
Request #:	DOC13075	Page:	3 of 3	Document #:	540101501	Rev: <b>C</b>