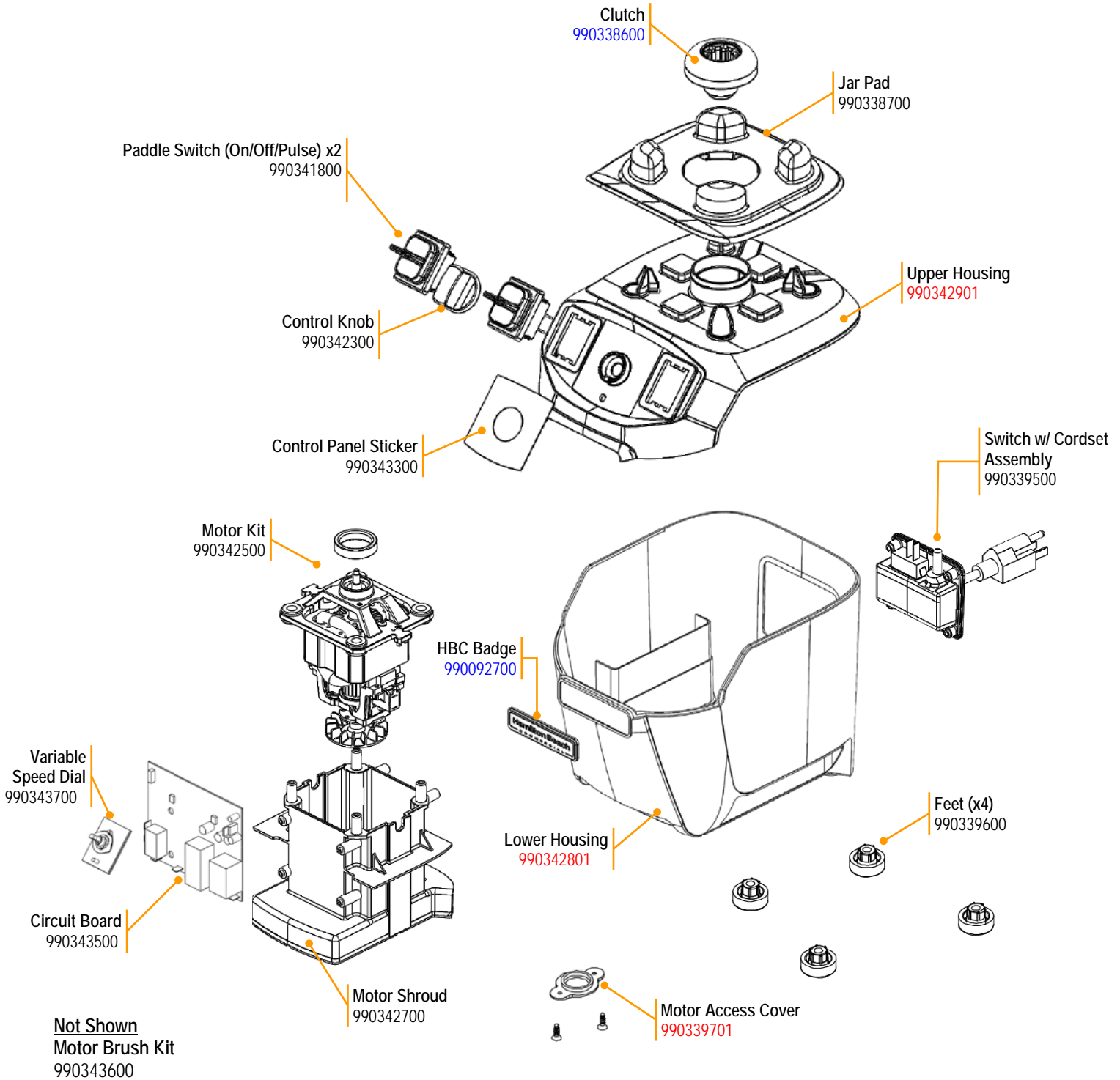



Parts & Accessories Diagram

PROPRIETARY RIGHTS NOTICE This document and all information contained within it is the property of Hamilton Beach Brands, Inc. (HBB). It is confidential and proprietary and has been provided to you for a limited purpose. It must be returned or destroyed upon request. Disclosure, reproduction or use of this document and any information contained within it, in full or in part, for any purpose is forbidden without the prior written consent of HBB. No photographs may be taken of any article fabricated or assembled from this document without the prior written consent of HBB.

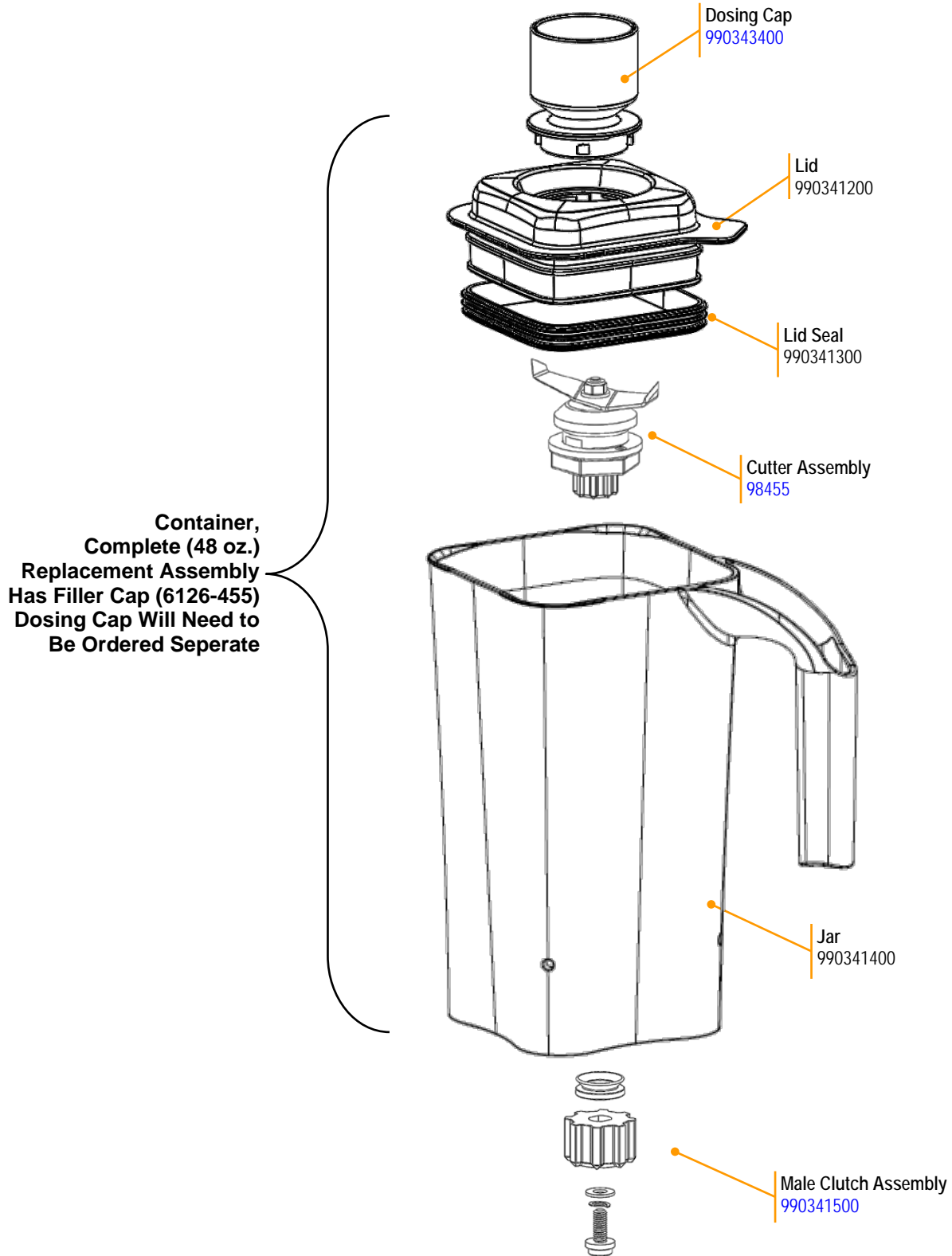
Replacement Parts



 <p>4421 Waterfront Drive Glen Allen, VA 23060</p>	Revision Description:	New Part Numbers for Upper Housing, Lower Housing, Motor Access Cover. Updated Exploded View Jar Comment				Rev. Date:
	Request #:	DOC10900	Page:	1 of 4	Document #:	3/24/2020
					540101600	Rev: B

Parts & Accessories Diagram

PROPRIETARY RIGHTS NOTICE This document and all information contained within it is the property of Hamilton Beach Brands, Inc. (HBB). It is confidential and proprietary and has been provided to you for a limited purpose. It must be returned or destroyed upon request. Disclosure, reproduction or use of this document and any information contained within it, in full or in part, for any purpose is forbidden without the prior written consent of HBB. No photographs may be taken of any article fabricated or assembled from this document without the prior written consent of HBB.

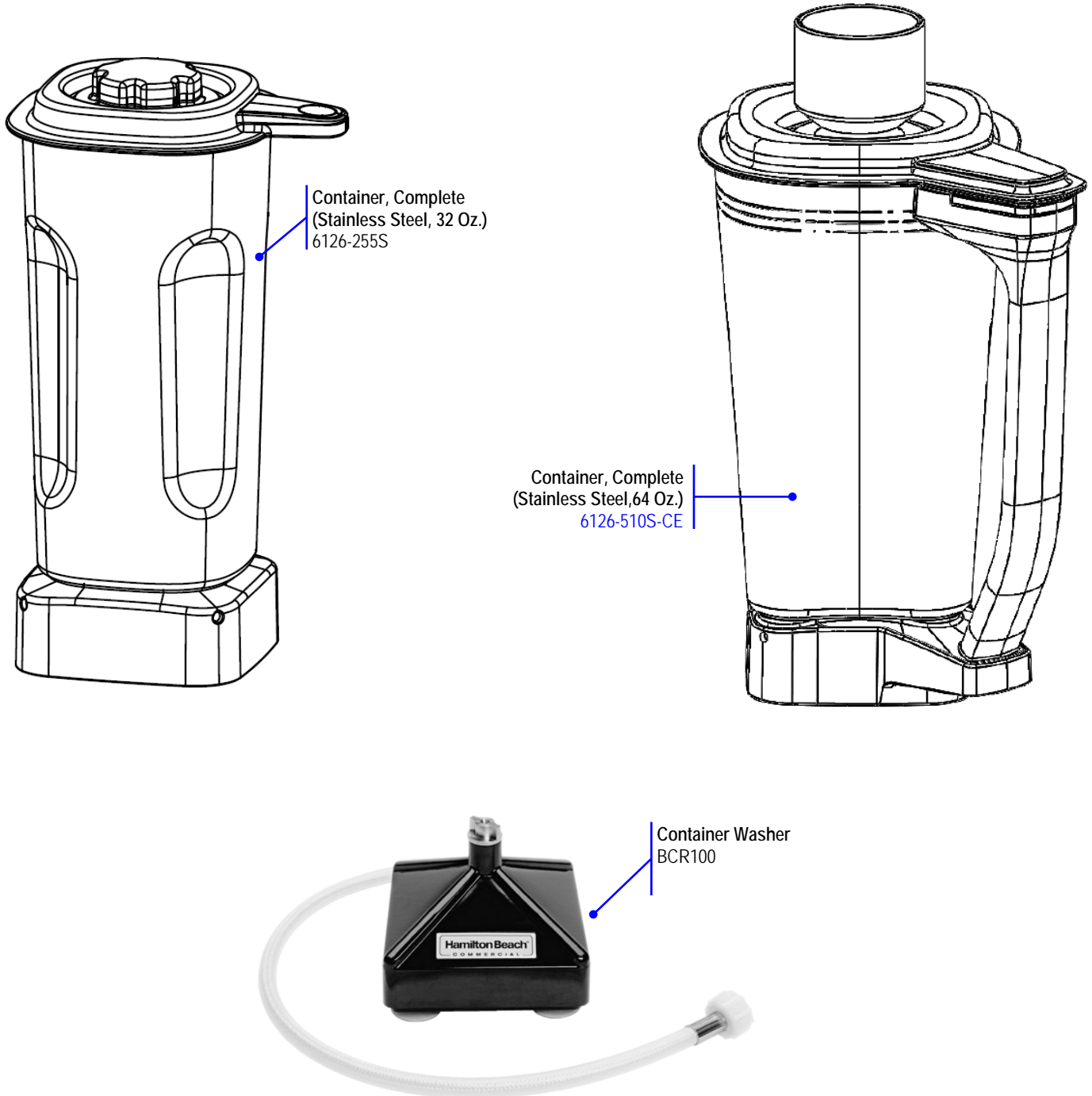



 4421 Waterfront Drive Glen Allen, VA 23060	Revision	New Part Numbers for Upper Housing, Lower Housing, Motor Access Cover.				Rev. Date:
	Description:	Updated Exploded View Jar Comment				3/24/2020
Request #:	DOC10900	Page:	2 of 4	Document #:	540101600	Rev: B

Parts & Accessories Diagram

PROPRIETARY RIGHTS NOTICE This document and all information contained within it is the property of Hamilton Beach Brands, Inc. (HBB). It is confidential and proprietary and has been provided to you for a limited purpose. It must be returned or destroyed upon request. Disclosure, reproduction or use of this document and any information contained within it, in full or in part, for any purpose is forbidden without the prior written consent of HBB. No photographs may be taken of any article fabricated or assembled from this document without the prior written consent of HBB.

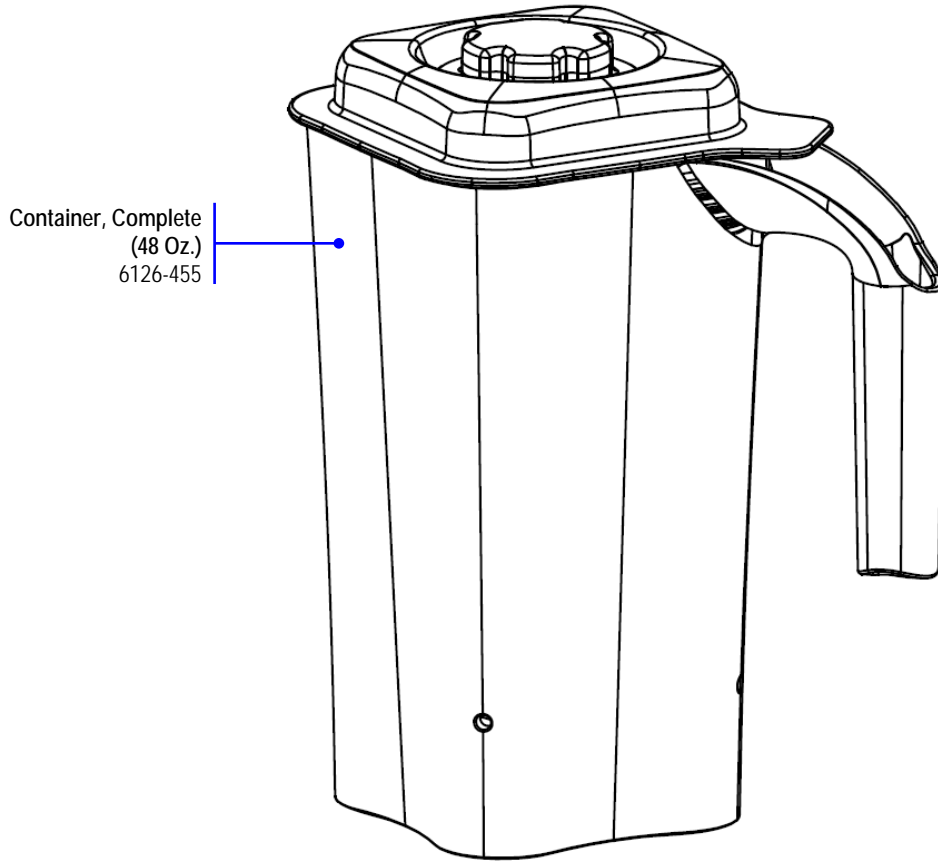
Accessories




 <p>4421 Waterfront Drive Glen Allen, VA 23060</p>	Revision	New Part Numbers for Upper Housing, Lower Housing, Motor Access Cover.				Rev. Date:
	Description:	Updated Exploded View Jar Comment				3/24/2020
	Request #:	DOC10900	Page:	3 of 4	Document #:	540101600

Parts & Accessories Diagram

PROPRIETARY RIGHTS NOTICE This document and all information contained within it is the property of Hamilton Beach Brands, Inc. (HBB). It is confidential and proprietary and has been provided to you for a limited purpose. It must be returned or destroyed upon request. Disclosure, reproduction or use of this document and any information contained within it, in full or in part, for any purpose is forbidden without the prior written consent of HBB. No photographs may be taken of any article fabricated or assembled from this document without the prior written consent of HBB.



 4421 Waterfront Drive Glen Allen, VA 23060	Revision	New Part Numbers for Upper Housing, Lower Housing, Motor Access Cover.					Rev. Date:
	Description:	Updated Exploded View Jar Comment					3/24/2020
Request #:	DOC10900	Page:	4 of 4	Document #:	540101600	Rev: B	