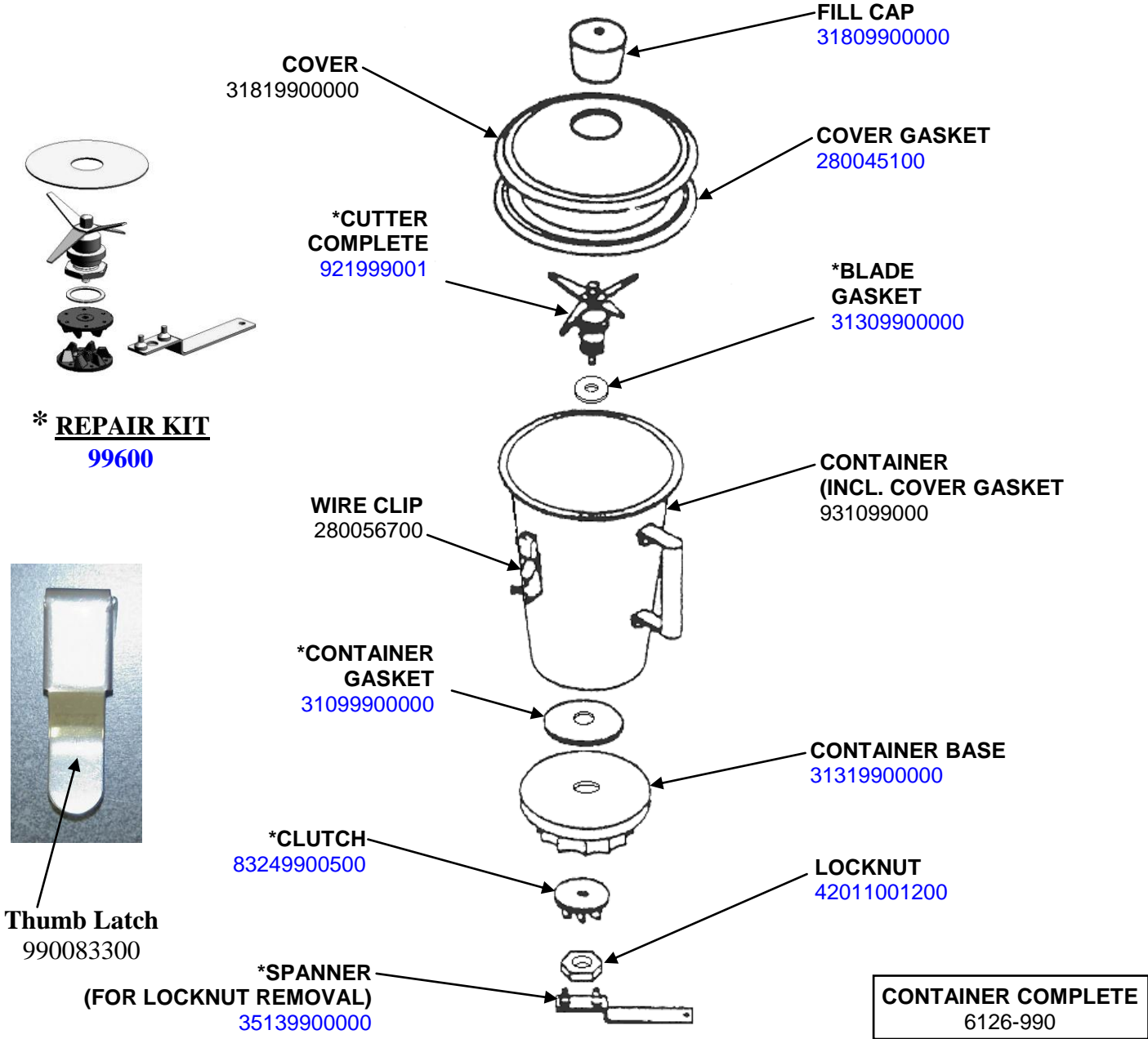



Replacement Parts Diagram Model 990-220 (Series D)

PROPRIETARY RIGHTS NOTICE This document and all information contained within it is the property of Hamilton Beach Brands, Inc. (HBB). It is confidential and proprietary and has been provided to you for a limited purpose. It must be returned or destroyed upon request. Disclosure, reproduction or use of this document and any information contained within it, in full or in part, for any purpose is forbidden without the prior written consent of HBB. No photographs may be taken of any article fabricated or assembled from this document without the prior written consent of HBB.

CONTAINER ASSEMBLY



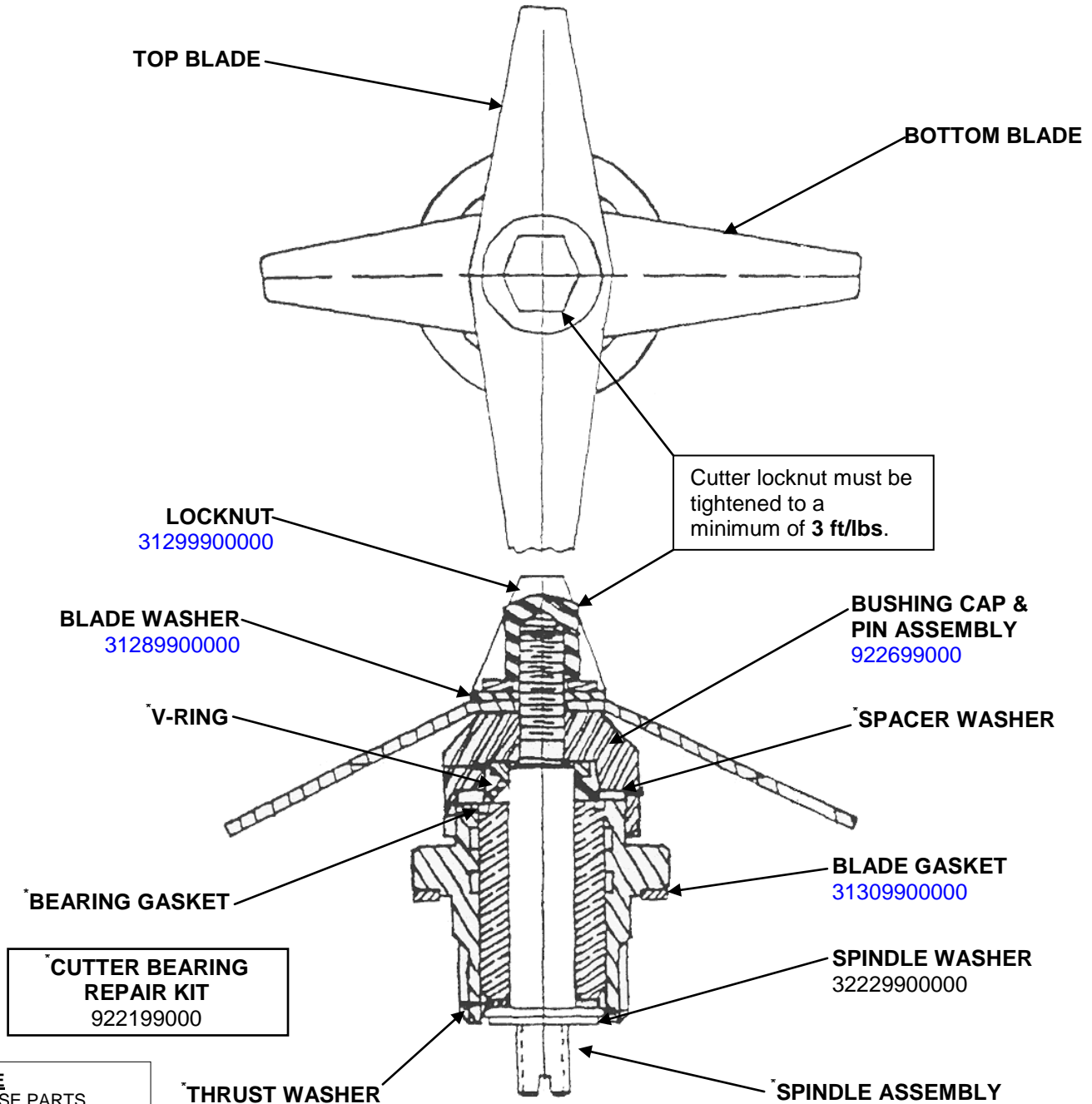
 <p>Hamilton Beach 4421 Waterfront Drive Glen Allen, VA 23060</p>	Revision Description: Remove Blade Kit		Revision Date: 2/17/14		Approved by: DOC4465	
	Request Number:		Page: 1 of 3		Document #: 510002000	
	Issue Code(s): CS, SP				Rev: C	

Replacement Parts Diagram

Model 990-220 (Series D)

PROPRIETARY RIGHTS NOTICE This document and all information contained within it is the property of Hamilton Beach Brands, Inc. (HBB). It is confidential and proprietary and has been provided to you for a limited purpose. It must be returned or destroyed upon request. Disclosure, reproduction or use of this document and any information contained within it, in full or in part, for any purpose is forbidden without the prior written consent of HBB. No photographs may be taken of any article fabricated or assembled from this document without the prior written consent of HBB.


CUTTER ASSEMBLY



NOTE

*THESE PARTS INCLUDED IN:

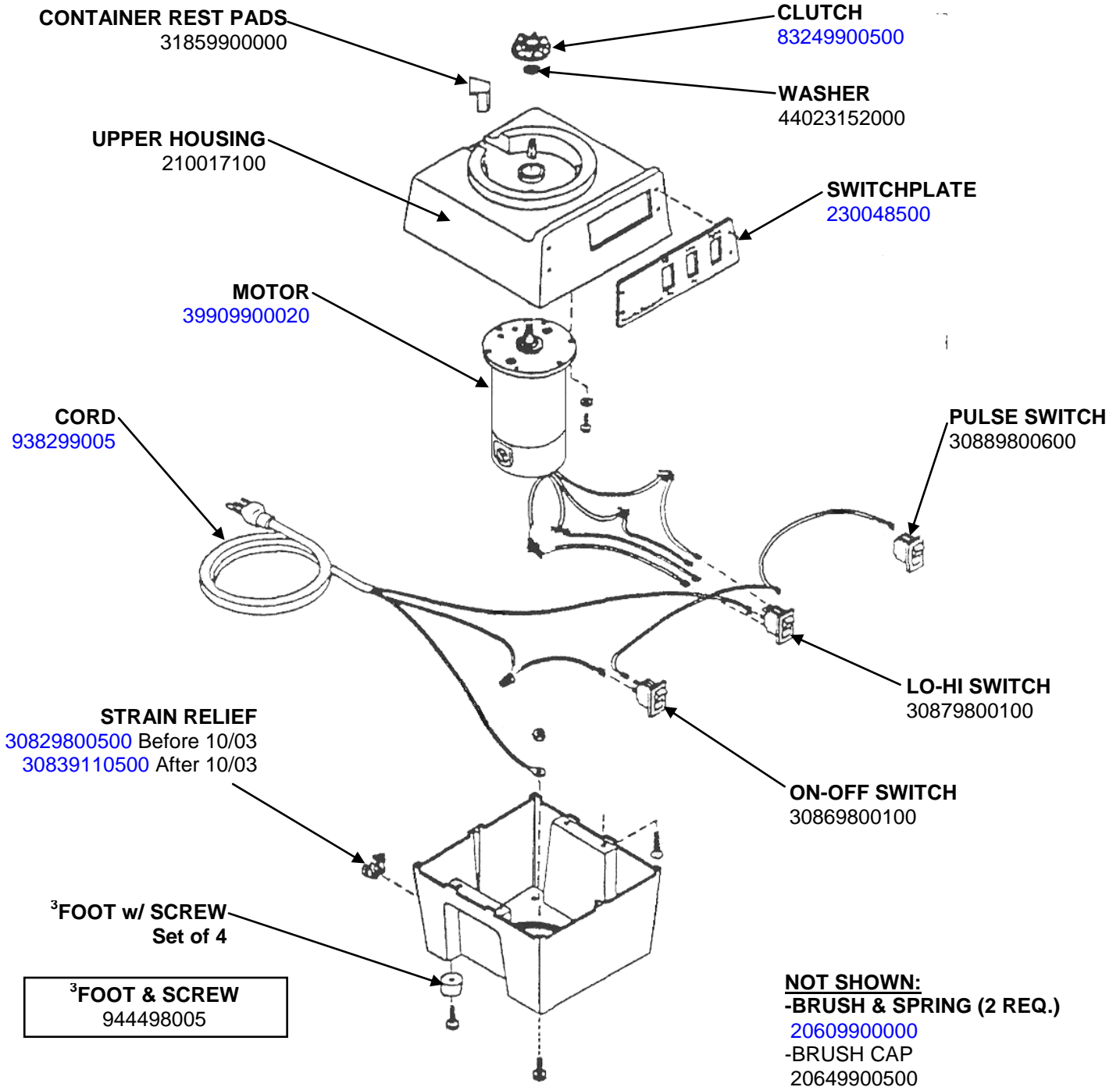
- CUTTER BEARING REPAIR KIT 922199000


 4421 Waterfront Drive Glen Allen, VA 23060	Revision Description: Remove Blade Kit		Revision Date: 2/17/14		Approved by: DOC4465	
	Request Number:		Page: 2 of 3		Document #: 510002000	
	Issue Code(s): CS, SP				Rev: C	

**Replacement Parts Diagram
Model 990-220 (Series D)**

PROPRIETARY RIGHTS NOTICE This document and all information contained within it is the property of Hamilton Beach Brands, Inc. (HBB). It is confidential and proprietary and has been provided to you for a limited purpose. It must be returned or destroyed upon request. Disclosure, reproduction or use of this document and any information contained within it, in full or in part, for any purpose is forbidden without the prior written consent of HBB. No photographs may be taken of any article fabricated or assembled from this document without the prior written consent of HBB.

990-220 HOUSING ASSEMBLY



 <p>Hamilton Beach 4421 Waterfront Drive Glen Allen, VA 23060</p>	Revision Description: Remove Blade Kit		Revision Date: 2/17/14		Approved by: DOC4465	
	Request Number:		Page: 3 of 3		Document #: 510002000	
	Issue Code(s): CS, SP		Rev: C			