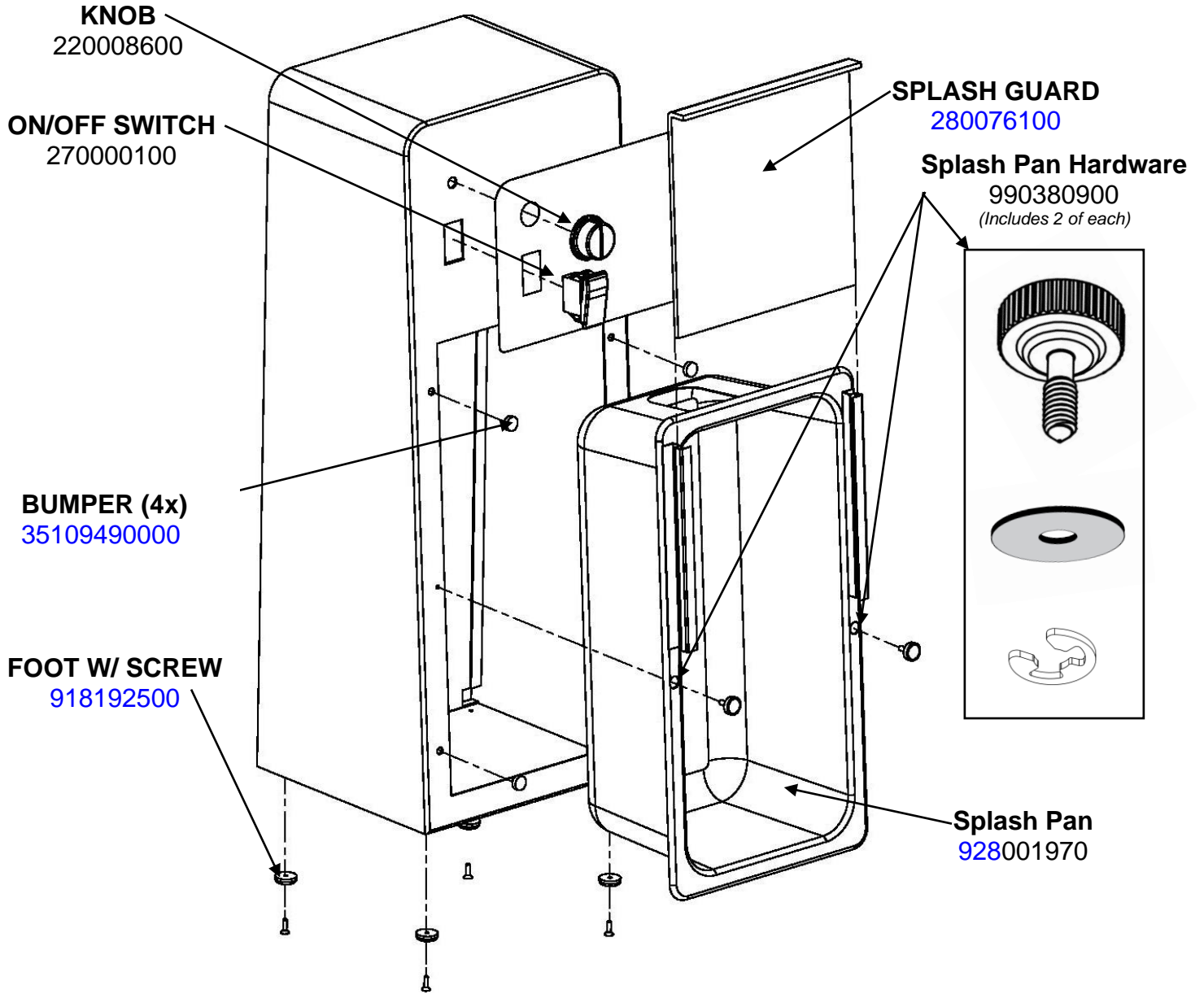



## Parts & Accessories Diagram

### Model 94950

**PROPRIETARY RIGHTS NOTICE** This document and all information contained within it is the property of Hamilton Beach Brands, Inc. (HBB). It is confidential and proprietary and has been provided to you for a limited purpose. It must be returned or destroyed upon request. Disclosure, reproduction or use of this document and any information contained within it, in full or in part, for any purpose is forbidden without the prior written consent of HBB. No photographs may be taken of any article fabricated or assembled from this document without the prior written consent of HBB.

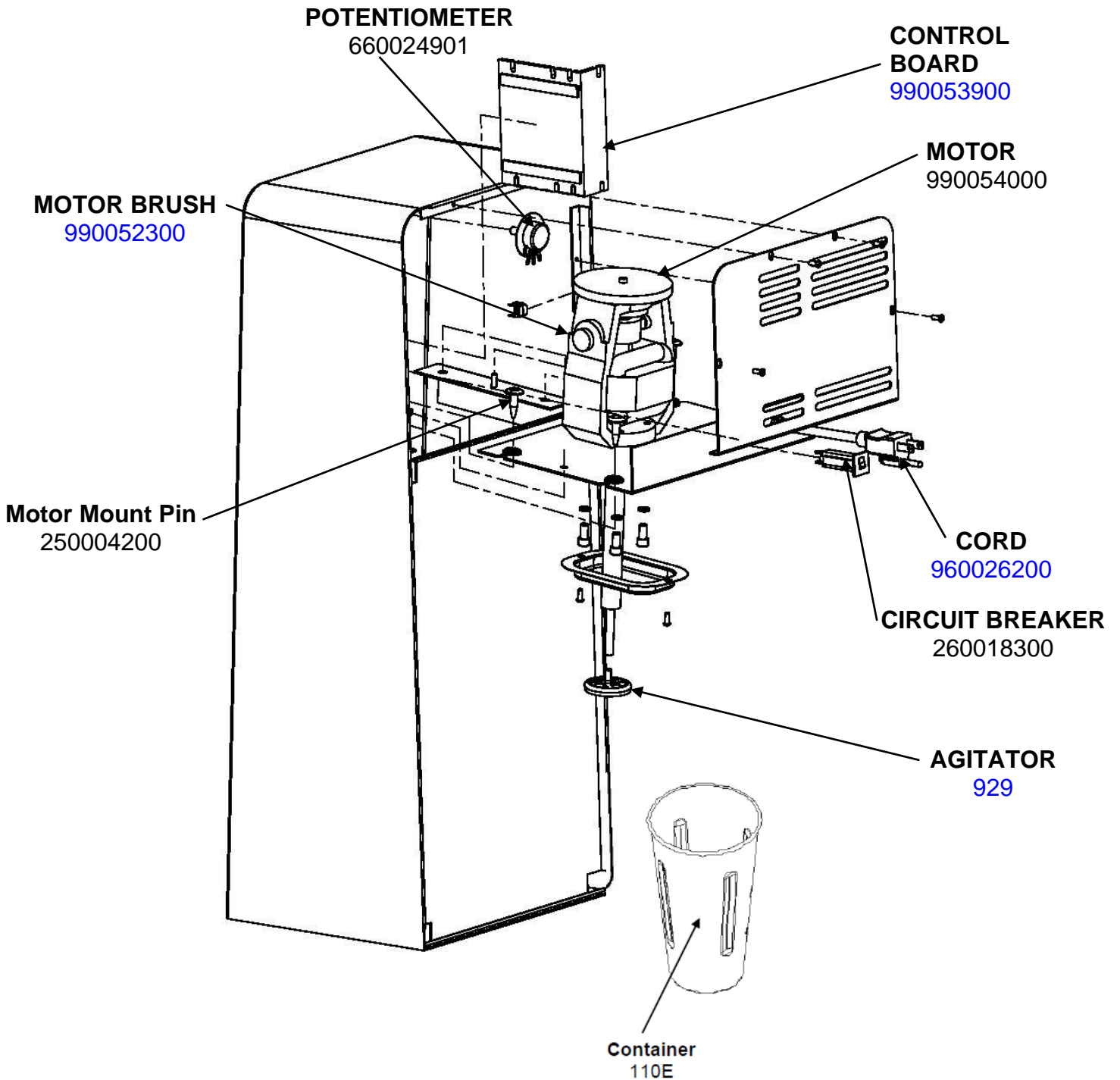



 Hamilton Beach 4421 Waterfront Drive Glen Allen, VA 23060	Revision Description:		Correct motor part number from 990145800 to 990054000			
	Request Number:	DOC12362	Revision Date:	02/10/2022	Approved by:	DOC12362
	Issue Code(s):		Page:	1 of 3	Document #:	540102600
					Rev:	<b>B</b>

## Parts & Accessories Diagram

### Model 94950

**PROPRIETARY RIGHTS NOTICE** This document and all information contained within it is the property of Hamilton Beach Brands, Inc. (HBB). It is confidential and proprietary and has been provided to you for a limited purpose. It must be returned or destroyed upon request. Disclosure, reproduction or use of this document and any information contained within it, in full or in part, for any purpose is forbidden without the prior written consent of HBB. No photographs may be taken of any article fabricated or assembled from this document without the prior written consent of HBB.



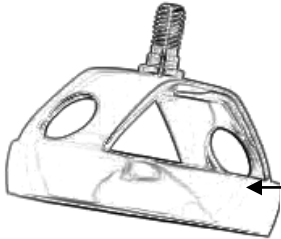
 <p>Hamilton Beach 4421 Waterfront Drive Glen Allen, VA 23060</p>	Revision Description:		Correct motor part number from 990145800 to 990054000			
	Request Number:	DOC12362	Revision Date:	02/10/2022	Approved by:	DOC12362
	Issue Code(s):		Page:	2 of 3	Document #:	540102600
					Rev:	<b>B</b>

## Parts & Accessories Diagram

### Model 94950

**PROPRIETARY RIGHTS NOTICE** This document and all information contained within it is the property of Hamilton Beach Brands, Inc. (HBB). It is confidential and proprietary and has been provided to you for a limited purpose. It must be returned or destroyed upon request. Disclosure, reproduction or use of this document and any information contained within it, in full or in part, for any purpose is forbidden without the prior written consent of HBB. No photographs may be taken of any article fabricated or assembled from this document without the prior written consent of HBB.

### ACCESSORIES



**AGITATOR**  
930



**AGITATOR**  
928

<b>Hamilton Beach</b> 4421 Waterfront Drive Glen Allen, VA 23060	Revision Description:		Correct motor part number from 990145800 to 990054000					
	Request Number:	DOC12362	Revision Date:	02/10/2022	Approved by:	DOC12362		
	Issue Code(s):		Page:	3 of 3	Document #:	<b>540102600</b>	Rev:	<b>B</b>