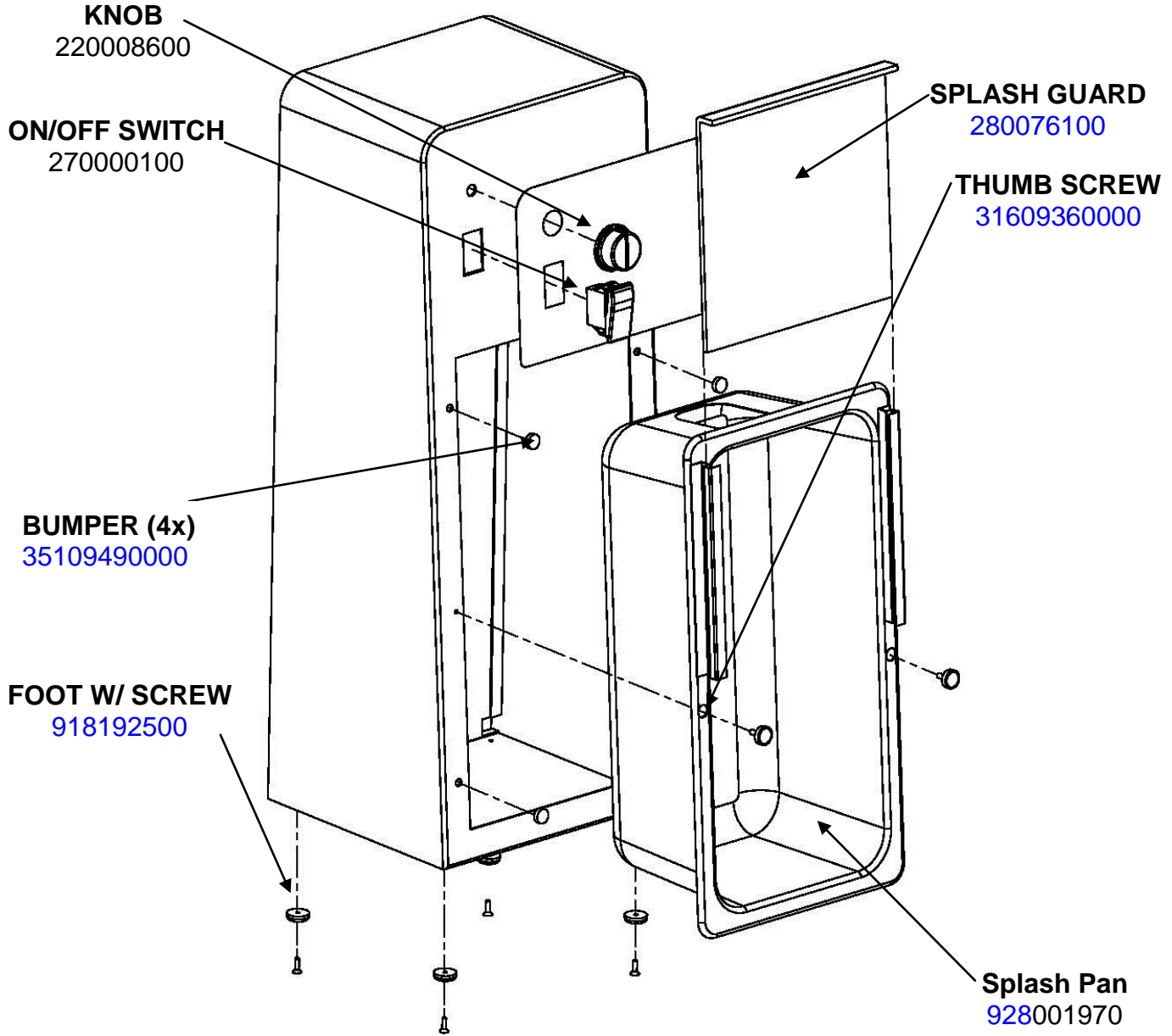



Replacement Parts Diagram

Model 94950

PROPRIETARY RIGHTS NOTICE This document and all information contained within it is the property of Hamilton Beach Brands, Inc. (HBB). It is confidential and proprietary and has been provided to you for a limited purpose. It must be returned or destroyed upon request. Disclosure, reproduction or use of this document and any information contained within it, in full or in part, for any purpose is forbidden without the prior written consent of HBB. No photographs may be taken of any article fabricated or assembled from this document without the prior written consent of HBB.

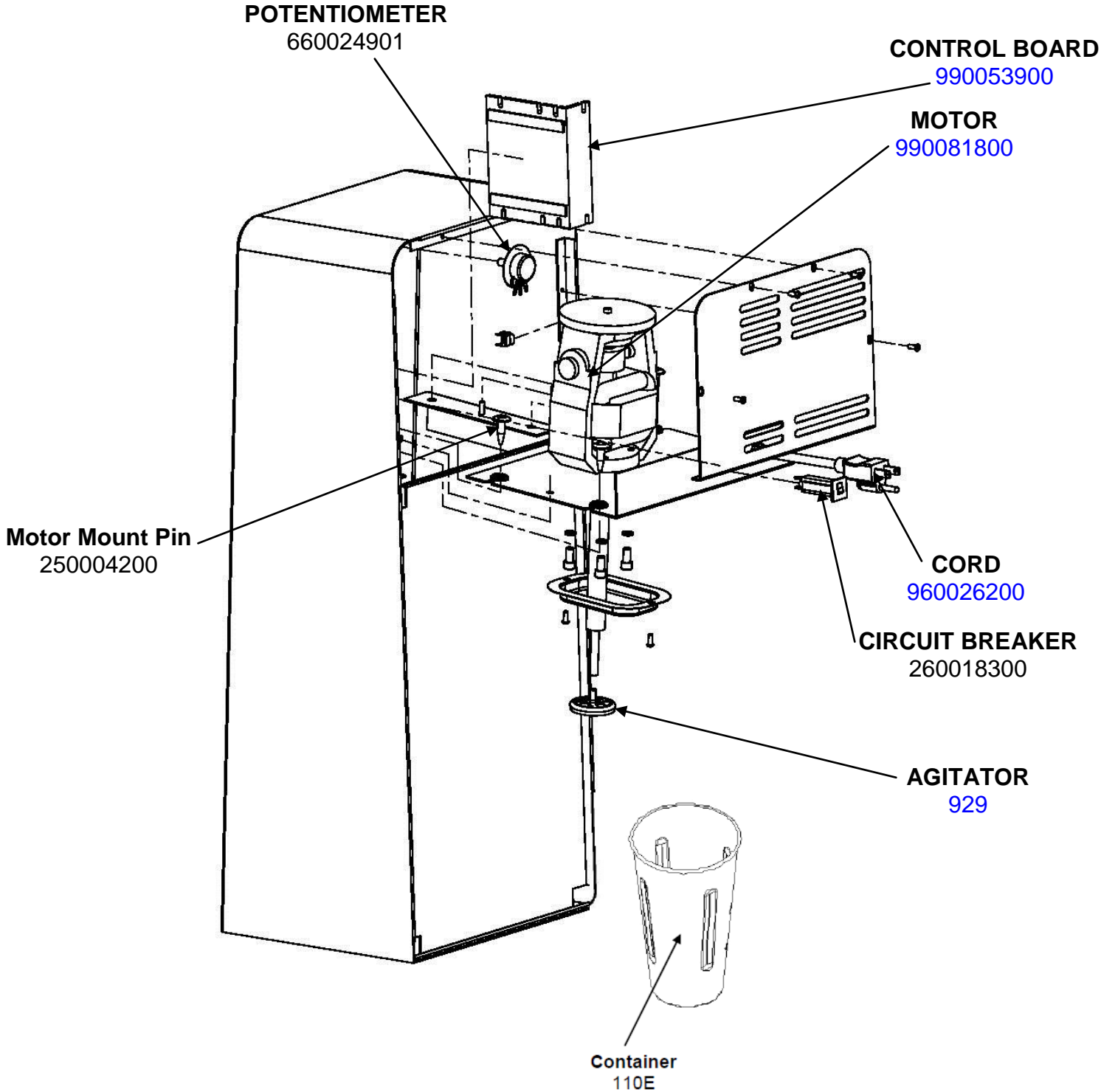



 Hamilton Beach 4421 Waterfront Drive Glen Allen, VA 23060	Revision Description:		Production Release				
	Request Number:	DOC4151	Revision Date:	10/16/13	Approved by:	DOC4151	
	Issue Code(s):	CS, SP	Page:	1 of 3	Document #:	540012000	Rev:

Replacement Parts Diagram

Model 94950

PROPRIETARY RIGHTS NOTICE This document and all information contained within it is the property of Hamilton Beach Brands, Inc. (HBB). It is confidential and proprietary and has been provided to you for a limited purpose. It must be returned or destroyed upon request. Disclosure, reproduction or use of this document and any information contained within it, in full or in part, for any purpose is forbidden without the prior written consent of HBB. No photographs may be taken of any article fabricated or assembled from this document without the prior written consent of HBB.



 Hamilton Beach 4421 Waterfront Drive Glen Allen, VA 23060	Revision Description:	Production Release					
	Request Number:	DOC4151	Revision Date:	10/16/13	Approved by:	DOC4151	
	Issue Code(s):	CS, SP	Page:	2 of 3	Document #:	540012000	Rev:

Replacement Parts Diagram

Model 94950

PROPRIETARY RIGHTS NOTICE This document and all information contained within it is the property of Hamilton Beach Brands, Inc. (HBB). It is confidential and proprietary and has been provided to you for a limited purpose. It must be returned or destroyed upon request. Disclosure, reproduction or use of this document and any information contained within it, in full or in part, for any purpose is forbidden without the prior written consent of HBB. No photographs may be taken of any article fabricated or assembled from this document without the prior written consent of HBB.

ACCESSORIES



AGITATOR
930



AGITATOR
928

Hamilton Beach 4421 Waterfront Drive Glen Allen, VA 23060	Revision Description:		Production Release					
	Request Number:	DOC4151	Revision Date:	10/16/13	Approved by:	DOC4151		
	Issue Code(s):	CS, SP	Page:	3 of 3	Document #:	540012000	Rev:	A