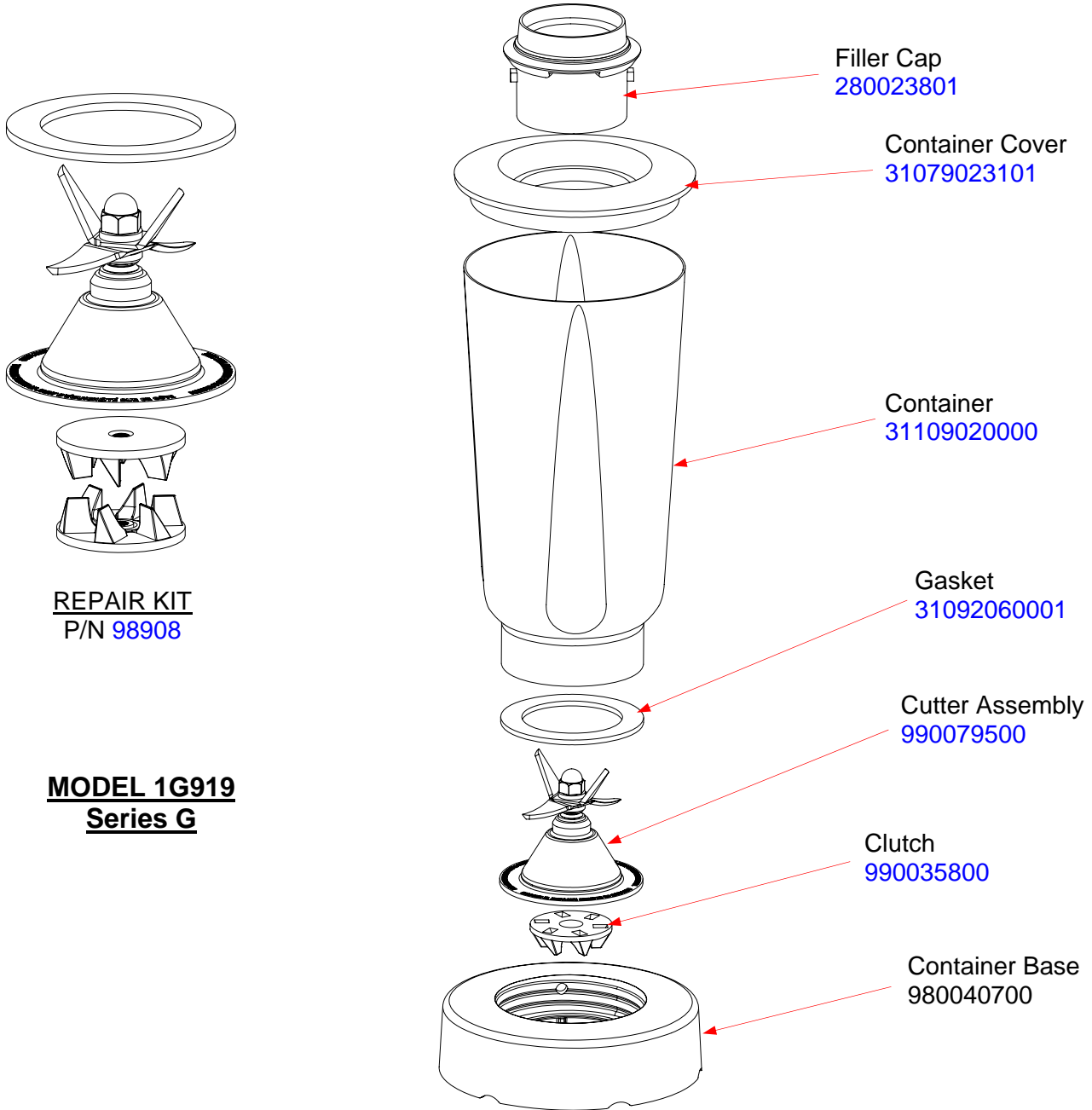



Replacement Parts Diagram

1G919

PROPRIETARY RIGHTS NOTICE This document and all information contained within it is the property of Hamilton Beach Brands, Inc. (HBB). It is confidential and proprietary and has been provided to you for a limited purpose. It must be returned or destroyed upon request. Disclosure, reproduction or use of this document and any information contained within it, in full or in part, for any purpose is forbidden without the prior written consent of HBB. No photographs may be taken of any article fabricated or assembled from this document without the prior written consent of HBB.



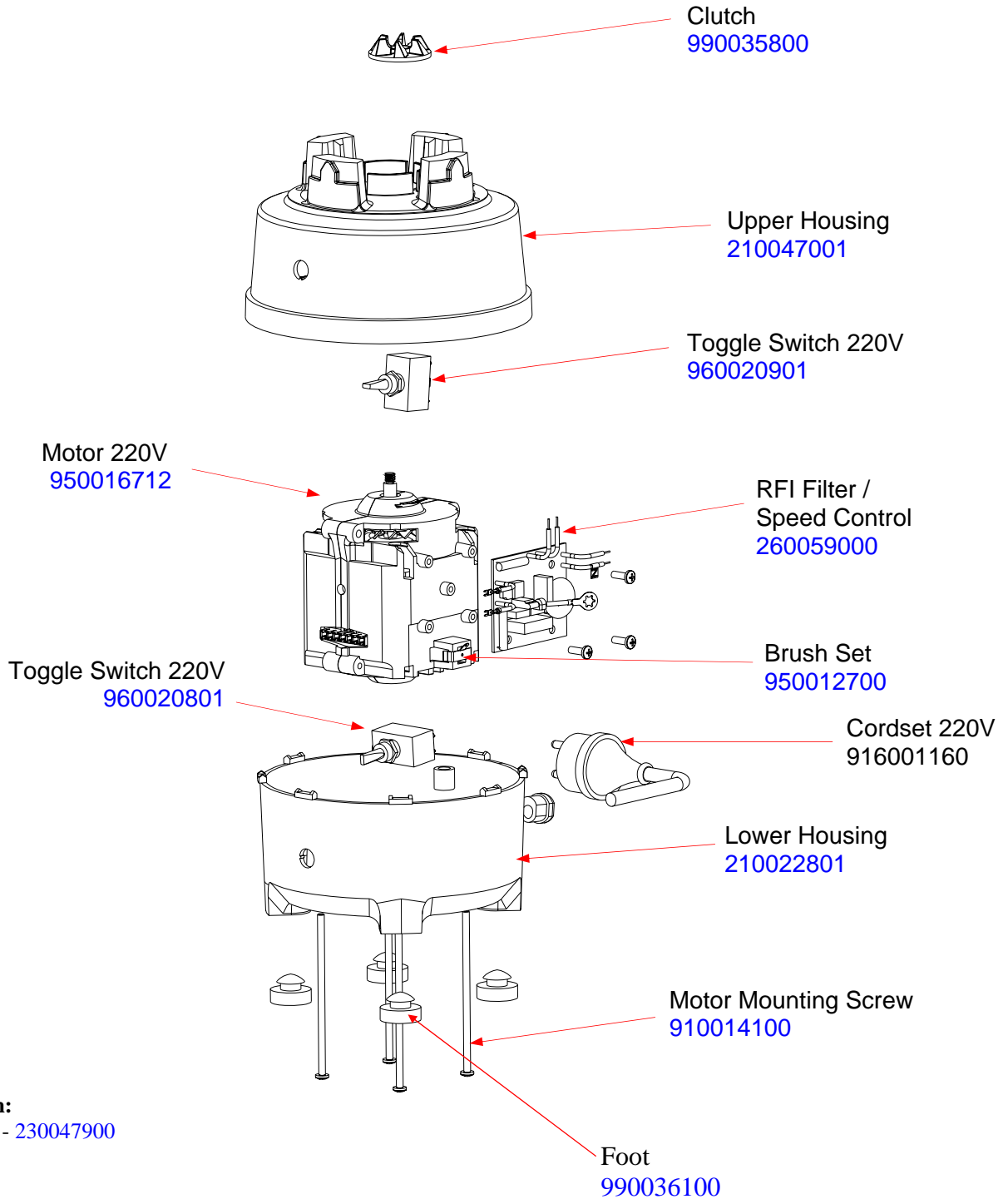
6126-1G919 - COMPLETE CONTAINER ASSEMBLY MODEL 1G919


 4421 Waterfront Drive Glen Allen, VA 23060	Revision Description:		Removed Obsolete Parts				
	Request Number:	CME-2759	Revision Date:	7/29/10	Approved by:	CME-2759	
	Issue Code(s):	CS, SP	Page:	1 of 2	Document #:	510009900	Rev:

Replacement Parts Diagram

1G919

PROPRIETARY RIGHTS NOTICE This document and all information contained within it is the property of Hamilton Beach Brands, Inc. (HBB). It is confidential and proprietary and has been provided to you for a limited purpose. It must be returned or destroyed upon request. Disclosure, reproduction or use of this document and any information contained within it, in full or in part, for any purpose is forbidden without the prior written consent of HBB. No photographs may be taken of any article fabricated or assembled from this document without the prior written consent of HBB.



 Hamilton Beach 4421 Waterfront Drive Glen Allen, VA 23060	Revision Description:		Removed Obsolete Parts				
	Request Number:	CME-2759	Revision Date:	7/29/10	Approved by:	CME-2759	
	Issue Code(s):	CS, SP	Page:	2 of 2	Document #:	510009900	Rev: