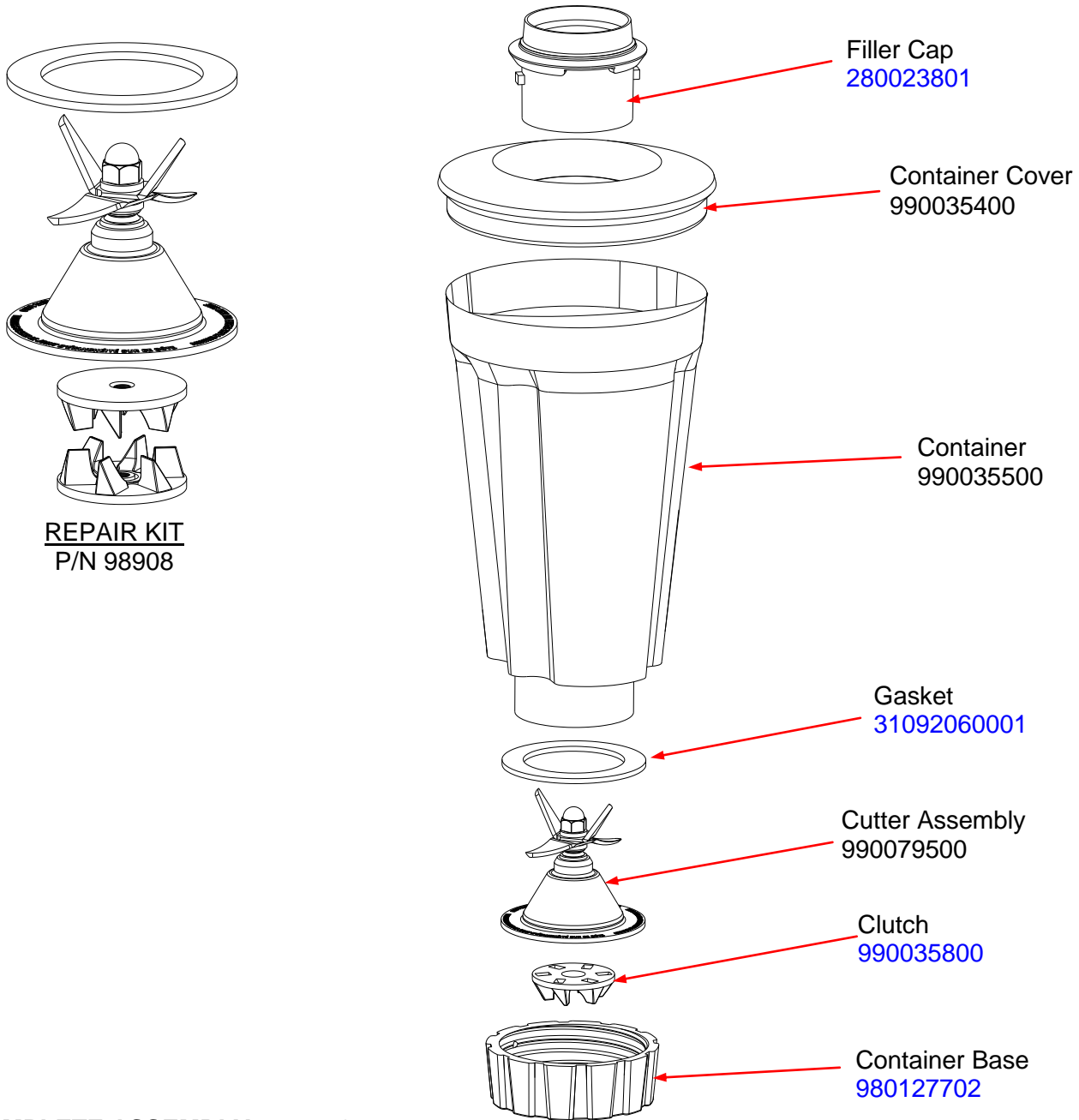



Parts and Accessories Diagram

PROPRIETARY RIGHTS NOTICE This document and all information contained within it is the property of Hamilton Beach Brands, Inc. (HBB). It is confidential and proprietary and has been provided to you for a limited purpose. It must be returned or destroyed upon request. Disclosure, reproduction or use of this document and any information contained within it, in full or in part, for any purpose is forbidden without the prior written consent of HBB. No photographs may be taken of any article fabricated or assembled from this document without the prior written consent of HBB.

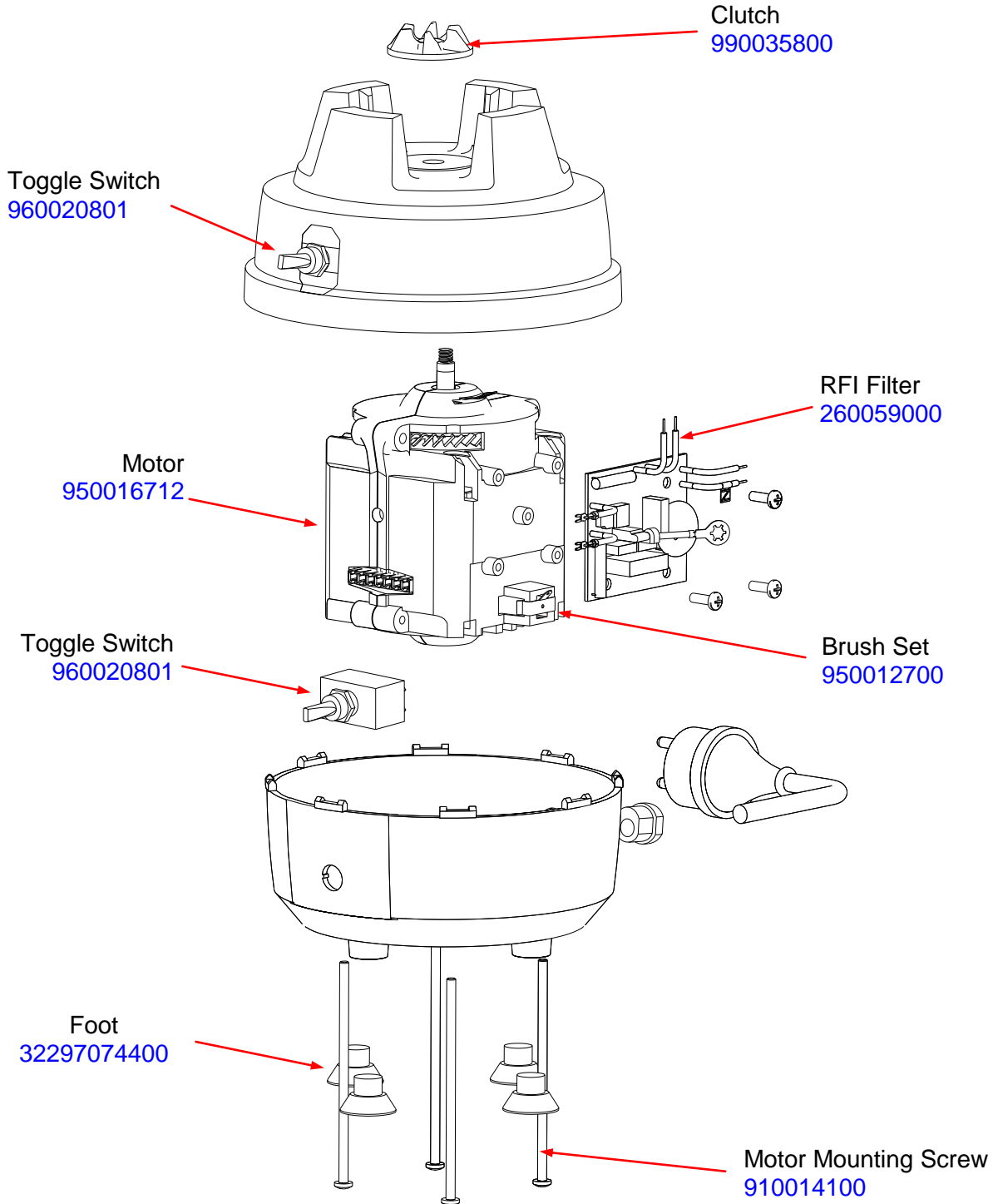



COMPLETE ASSEMBLY 6126-1G908

 4421 Waterfront Drive Glen Allen, VA 23060	Revision Description: Remove Obsolete Parts		Request Number: DOC9436		Revision Date: 10/19/2018		Approved by: DOC9436	
	Issue Code(s):		Page: 1 of 2		Document #: 510010800		Rev: F	

Parts and Accessories Diagram

PROPRIETARY RIGHTS NOTICE This document and all information contained within it is the property of Hamilton Beach Brands, Inc. (HBB). It is confidential and proprietary and has been provided to you for a limited purpose. It must be returned or destroyed upon request. Disclosure, reproduction or use of this document and any information contained within it, in full or in part, for any purpose is forbidden without the prior written consent of HBB. No photographs may be taken of any article fabricated or assembled from this document without the prior written consent of HBB.



 <p>Hamilton Beach 4421 Waterfront Drive Glen Allen, VA 23060</p>	Revision Description: Remove Obsolete Parts		Revision Date: 10/19/2018		Approved by: DOC9436	
	Request Number: DOC9436	Page: 2 of 2		Document #: 510010800		Rev: F
	Issue Code(s):					