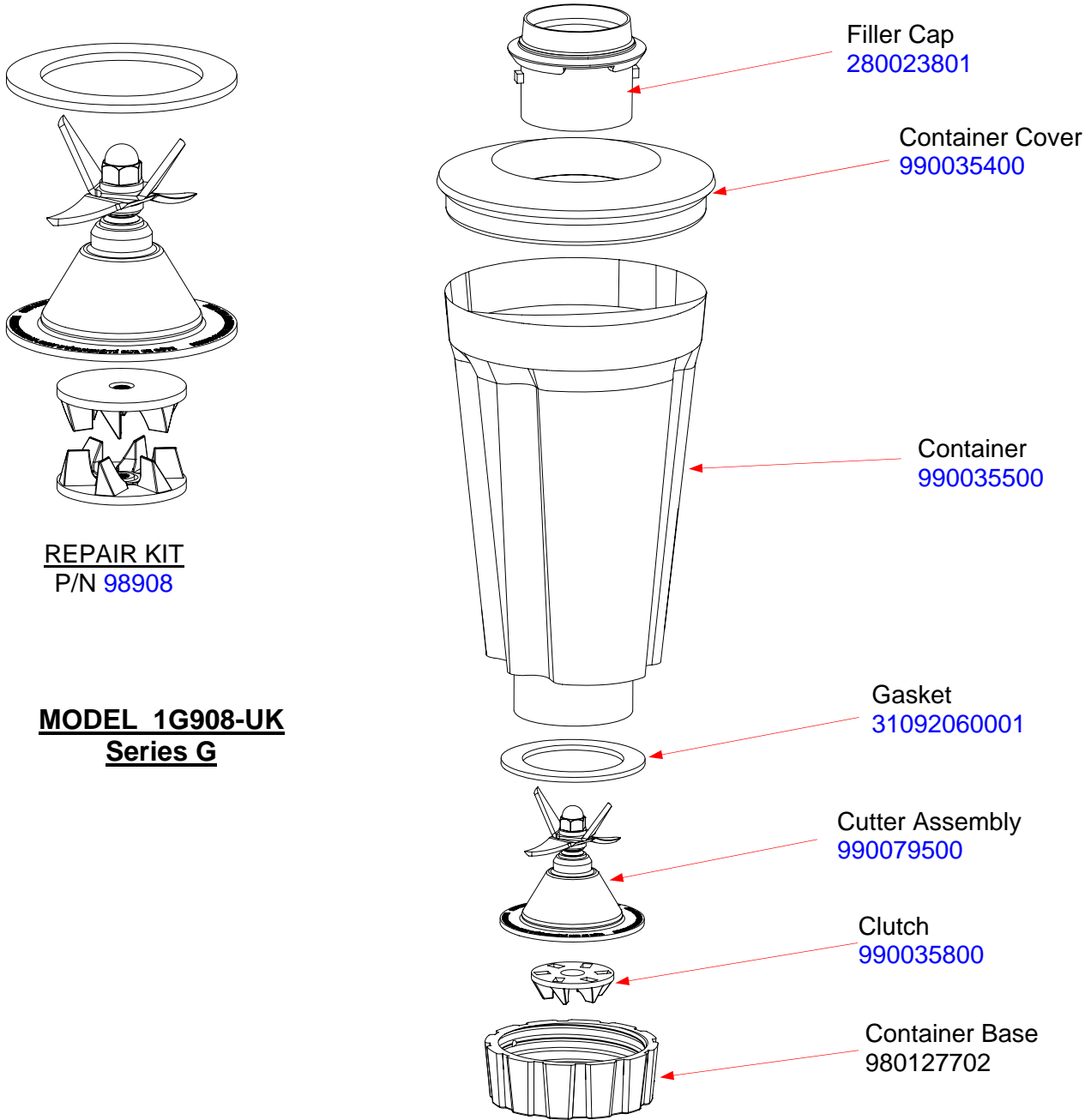


Replacement Parts Diagram

1G908-UK


PROPRIETARY RIGHTS NOTICE This document and all information contained within it is the property of Hamilton Beach Brands, Inc. (HBB). It is confidential and proprietary and has been provided to you for a limited purpose. It must be returned or destroyed upon request. Disclosure, reproduction or use of this document and any information contained within it, in full or in part, for any purpose is forbidden without the prior written consent of HBB. No photographs may be taken of any article fabricated or assembled from this document without the prior written consent of HBB.



REPAIR KIT
P/N 98908

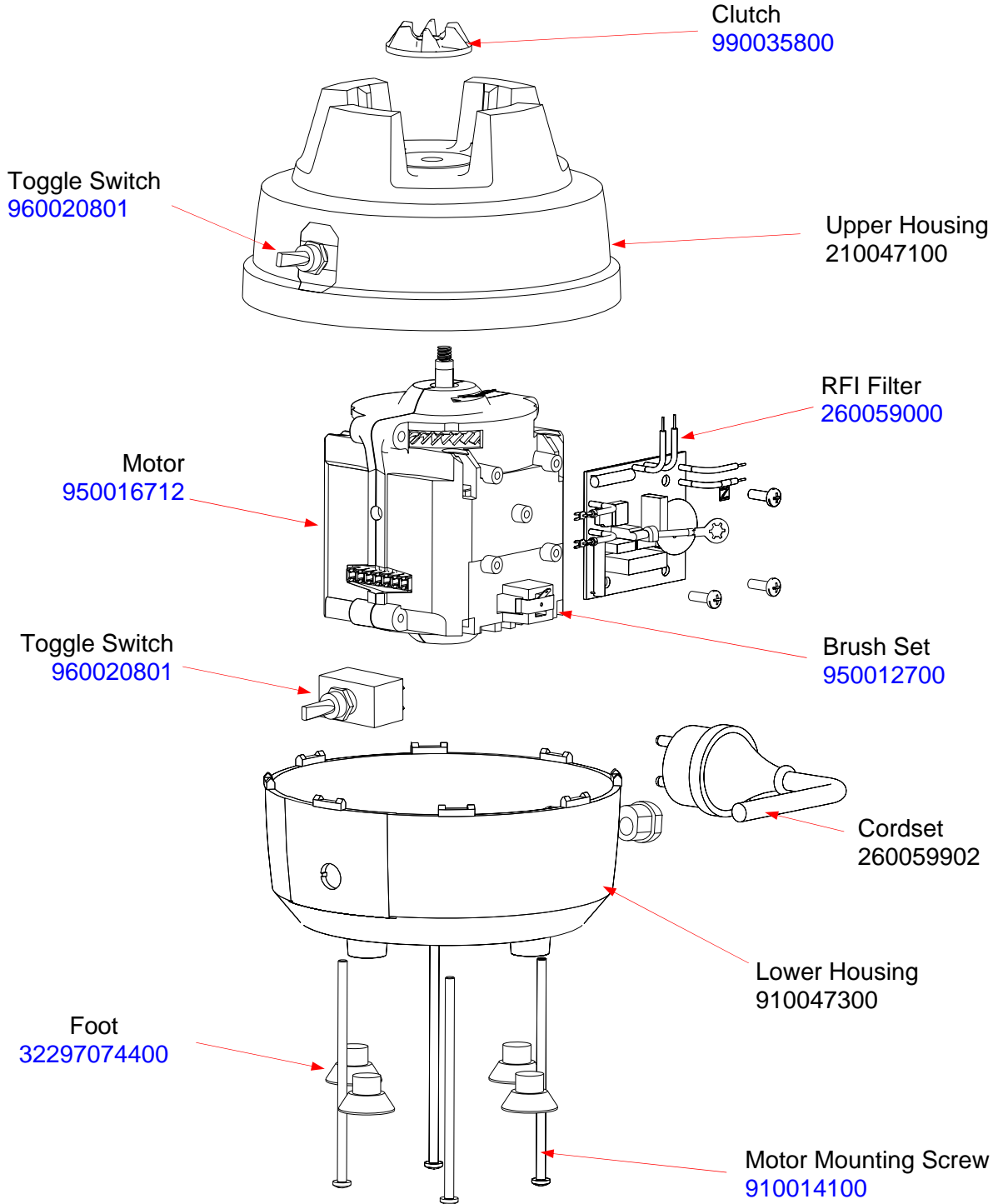
MODEL 1G908-UK
Series G


COMPLETE ASSEMBLY 6126-1G908

 4421 Waterfront Drive Glen Allen, VA 23060	Revision Description:		Update Container Part Number				
	Request Number:	CME-2762	Revision Date:	10/4/10	Approved by:	CME-2762	
	Issue Code(s):	CS, SP	Page:	1 of 2	Document #:	510013200	Rev:

Replacement Parts Diagram 1G908-UK

PROPRIETARY RIGHTS NOTICE This document and all information contained within it is the property of Hamilton Beach Brands, Inc. (HBB). It is confidential and proprietary and has been provided to you for a limited purpose. It must be returned or destroyed upon request. Disclosure, reproduction or use of this document and any information contained within it, in full or in part, for any purpose is forbidden without the prior written consent of HBB. No photographs may be taken of any article fabricated or assembled from this document without the prior written consent of HBB.



 Hamilton Beach 4421 Waterfront Drive Glen Allen, VA 23060	Revision Description:		Update Container Part Number				
	Request Number:	CME-2762	Revision Date:	10/4/10	Approved by:	CME-2762	
	Issue Code(s):	CS, SP	Page:	2 of 2	Document #:	510013200	Rev: