

NOTES:

- A. ALL WIRING SHALL BE 14 AWG TYPE THHN-THWN-AWM, RATED 600V, 105 C
- B. ALL WIRING SHALL CONFORM TO THE NATIONAL AND CANADIAN ELECTRIC CODE.
- C. FREEZER TEMPERATURE SHALL MAINTAIN -10° TO 0° F.
- D. MULLION HEATER UL/CSA LISTED 'HEAT TECH', INC., 192" LG. DOUBLE SERIES HEATER CABLE RATED AT 115 VOLT, 3.0 WATT PER FOOT, W/2-48" LEADS  
 HETEAR TAPE LEADS:  
 PRIMARY CIRCUIT - BLACK AND WHITE  
 SECONDARY CIRCUIT - BLUE AND YELLOW  
 (CAPOFF SECONDARY LEADS)
- E. EVAPORATOR - 3/8" O.D COPPER TUBING, COLD WALL CONSTRUCTION, APPROXIMATELY 936" LONG.
- F. CONDENSING UNIT IS UL LISTED - RATED AT 1/2 HP, 115 VOLT, 60HZ, 1PH, 404A REFRIGERANT

ITEM	PART NO.	QTY	DESCRIPTION
11	E-1-19-1	1	SWITCH, CARLING LIGHT ROCKER #LTA-201-TRB
10	E-2-13	1	J- BOX, 4 X 4 X 2
9	E-2-5	1	PLATE, 4 X 4 GALV. COVER
8	P-1-208	1	COMPRESSOR, COPELAND #FJAF-A050-WA-203, 1/2 HP.
7	E-5-12-3	2	HEAT CABLE, DOUBLE, 115V, 192" LG.
6	P-1-53-1200	1	CAP TUBE #114, .050 I.D. X .114 O.D., 108" LONG
5	P-1-23	1	DRYER, SPORLAN, #C-052-S HH
4	P-1-18-B	1	THERMOSTAT, CUTLER-HAMMER, #953DN1230
3	P-1-49	1	ACCUMULATDR, 1/2 STRAIGHT, WATSCO #A-B
2	E-4-15	1	THERMOMETER, F-DEG. #RR40D OR #RR100FA-24
1	E-10-12-0	1	CORD, 14/3 SO 8" LG. W/20 AMP STRAIGHT #P-48 PLUG

STORE NO. \_\_\_\_\_

NO. CUSTOMER: **H & K Dallas Inc.**

ASSEMBLY TEMPLATE B: **DALLAS**

SHEET: **1 OF 1**

TITLE: **ASSEMBLY,**

DATE: **01/14/02**

SYN: \_\_\_\_\_

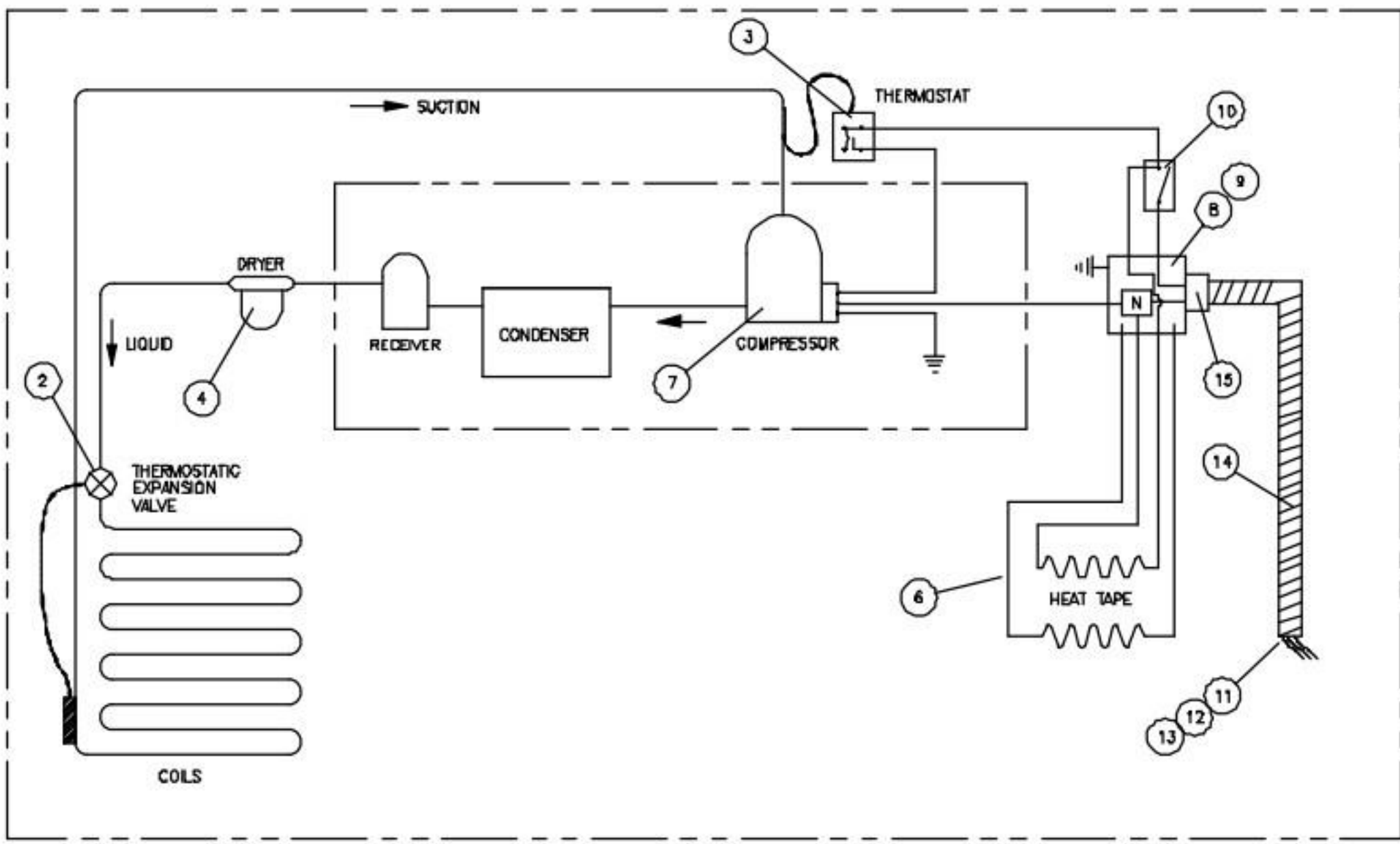
REVISION: \_\_\_\_\_

DATE: \_\_\_\_\_

SCALE: **NONE**

EMPLOYEE NAME: \_\_\_\_\_

CHECKED: \_\_\_\_\_



**NOTES**

- A ALL WIRING SHALL BE 14 AWG TYPE THHN-THWN-AWM, RATED BDOV, 105 C.
- B ALL WIRING SHALL CONFORM TO THE NATIONAL AND CANADIAN ELECTRIC CODE.
- C FREEZER TEMPERATURE SHALL MAINTAIN -10° TO 0° F.
- D MILLION HEATER ILL/CSA LISTED 'HEAT TECH', INC., 192" LG DOUBLE SERIES HEATER CABLE RATED AT 220 VOLT, 3.0 WATT PER FOOT, W/2-48" LEADS  
HEATER TAPE LEADS  
PRIMARY CIRCUIT - BLACK AND WHITE  
SECONDARY CIRCUIT - BLUE AND YELLOW  
(CAPOFF SECONDARY LEADS)
- E. EVAPORATOR - 3/8" O.D. COPPER TUBING, COLD WALL CONSTRUCTION, APPROXIMATELY 936" LONG.
- F. CONDENSING UNIT IS UL LISTED - RATED AT 1/2 HP., 220 VOLT, 50HZ, 1PH, 404A REFRIGERANT.

ITEM	PART NO.	QTY	DESCRIPTION
15	E-8-50	1	CONNECTOR, 1/2" CONDUIT
14	E-10-9-1	1	CONDUIT, 1/2" FLEXIBLE
13	E-10-13-2	1	WIRE, # 14 AWG GREEN
12	E-10-15-1	1	WIRE, # 14 AWG WHITE
11	E-10-15	1	WIRE, # 14 AWG BLACK
10	E-1-19-1	1	SWITCH, CARLING, LIGHT ROCKER #LTA-201-TRB
9	E-2-13	1	J- BOX, 4 X 4 X 2
8	E-2-5	1	PLATE, 4 X 4 GALV. COVER
7	P-1-20BS	1	COMPRESSOR, COPELAND #FJAF-A050-IAZ-304, 1/2 HP, 220/230 50HZ
6	E-5-12-3S	1	HEAT CABLE, DOUBLE, 220V, 192" LG.
5	-	-	NUMBER NOT USED
4	P-1-23	1	DRYER, SPORLAN, #C-DS2-S HH
3	P-1-18-6	1	THERMOSTAT, CUTLER-HAMMER, #9530N1230
2	P-1-12-7	1	VALVE, EXPANSION, THERMOSTATIC, SPORLAN, EF9-1/4-2
1	E-4-15	1	THERMOMETER, F-DEG. #RR400 OR #RR100FA-24

SHEET NO. 1 OF 1	WRCOS/SCH	CUSTOMER <b>McDONALD'S CORPORATION</b>	TITLE SCHEMATIC, 2-DOOR WALL MOUNT FREEZER 220V/50HZ INTERNATIONAL	DATE: TOREB96 DRAWN: M ROWLAND CHECKER: A	SYM REVISION BBS/ICN DATE 31MAY01	SCALE NONE
THIS DRAWING AND SPECIFICATION ARE THE PROPERTY OF LAM CONDUITS AND SHALL NOT BE REPRODUCED OR COPIED IN WHOLE OR IN PART WITHOUT THE WRITTEN PERMISSION OF LAM.						

