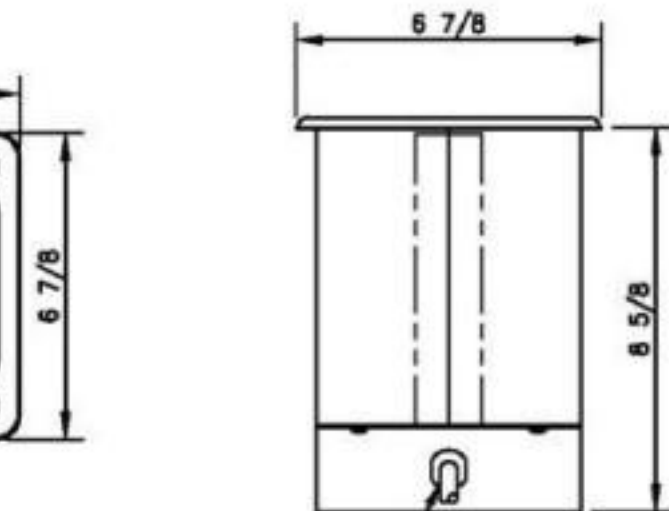
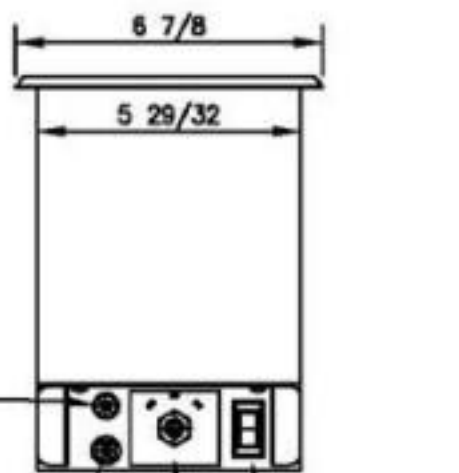
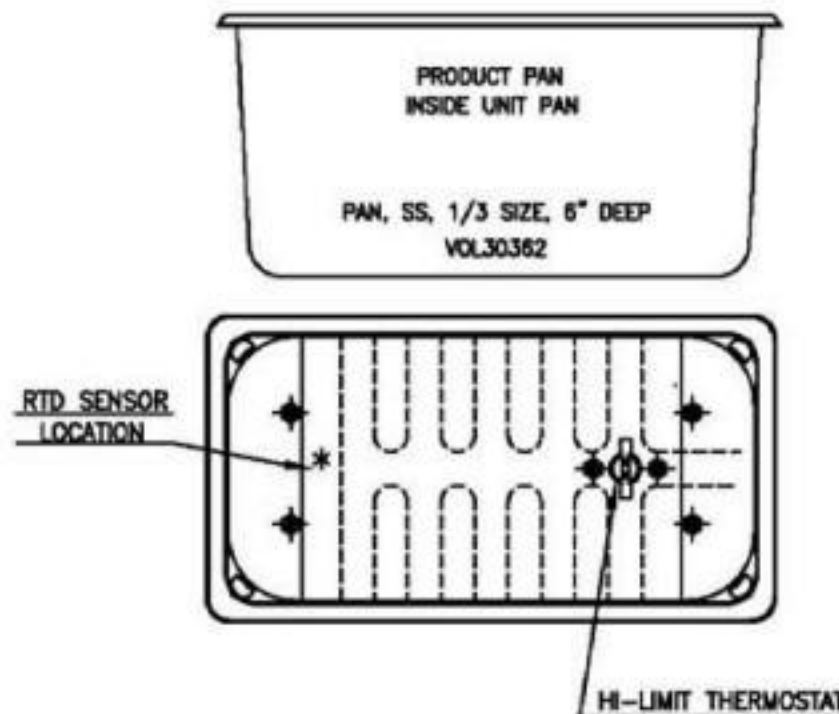


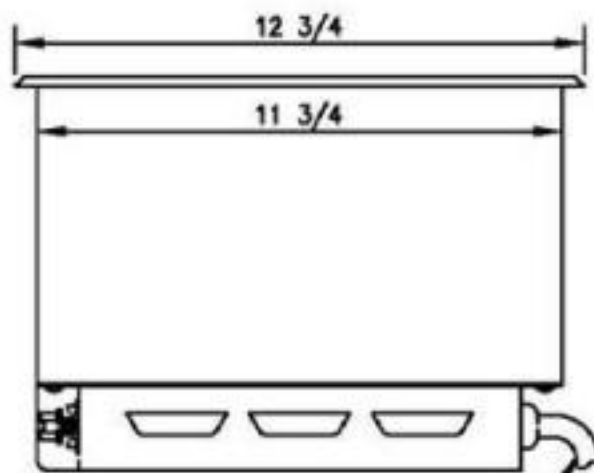
TOP VIEW



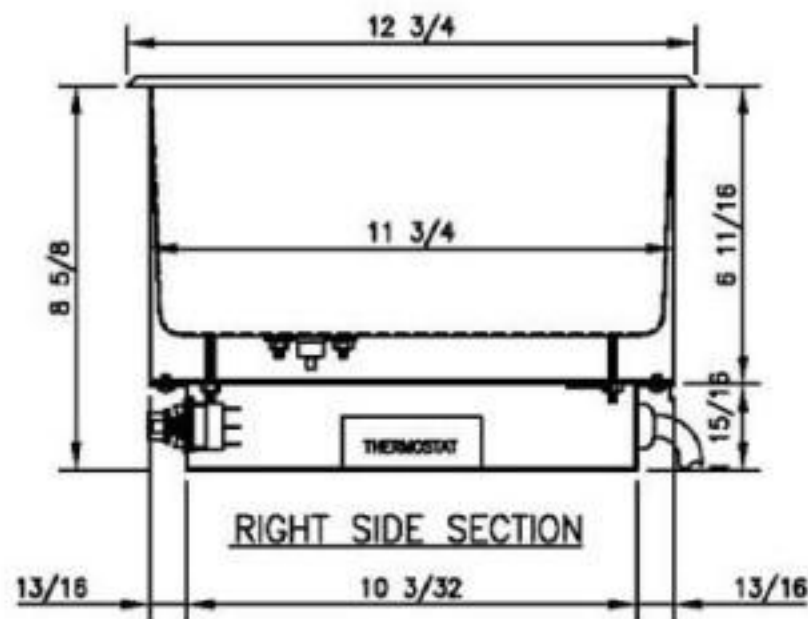
REAR VIEW



FRONT VIEW



RIGHT SIDE VIEW



RIGHT SIDE SECTION

CUSTOMER: McDONALD'S CORPORATION	TITLE: ASSEMBL BUILT-IN MARINATOR	DATE: 29OCT98	DATE:	SCALE: 1/4" = 0'-1"
		DESIGNED: G. KRONE	DATE: 28JAN02	SYMBOL:
ITEM NO: MCR009	SHEET: 1 OF 1	CHECKED: G. KRONE	REVISION 8777GK	DATE: 20JUL00
			SYM C	REVISION 8391GK
STORE NO:	<small>THESE DIMENSIONS AND SPECIFICATIONS ARE THE PROPERTY OF THIS COMPANY AND SHALL NOT BE REPRODUCED OR COPIED OR TRANSMITTED IN ANY FORM OR BY ANY MEANS WITHOUT THE WRITTEN PERMISSION OF THIS COMPANY.</small>			

SELF ADHESIVE FOIL HEAT MAT, 120V/150W.
 SPLICE INSULATION: RECOGNIZED SILICONE RUBBER COATED
 FIBERGLASS SLEEVING 200° C, 600V.
 CONTINUOUS USE TEMP. 200° F. +/- 10° F.

