

VULCAN

CATALOG OF REPLACEMENT PARTS

GAS PASTA COOKERS

MODEL

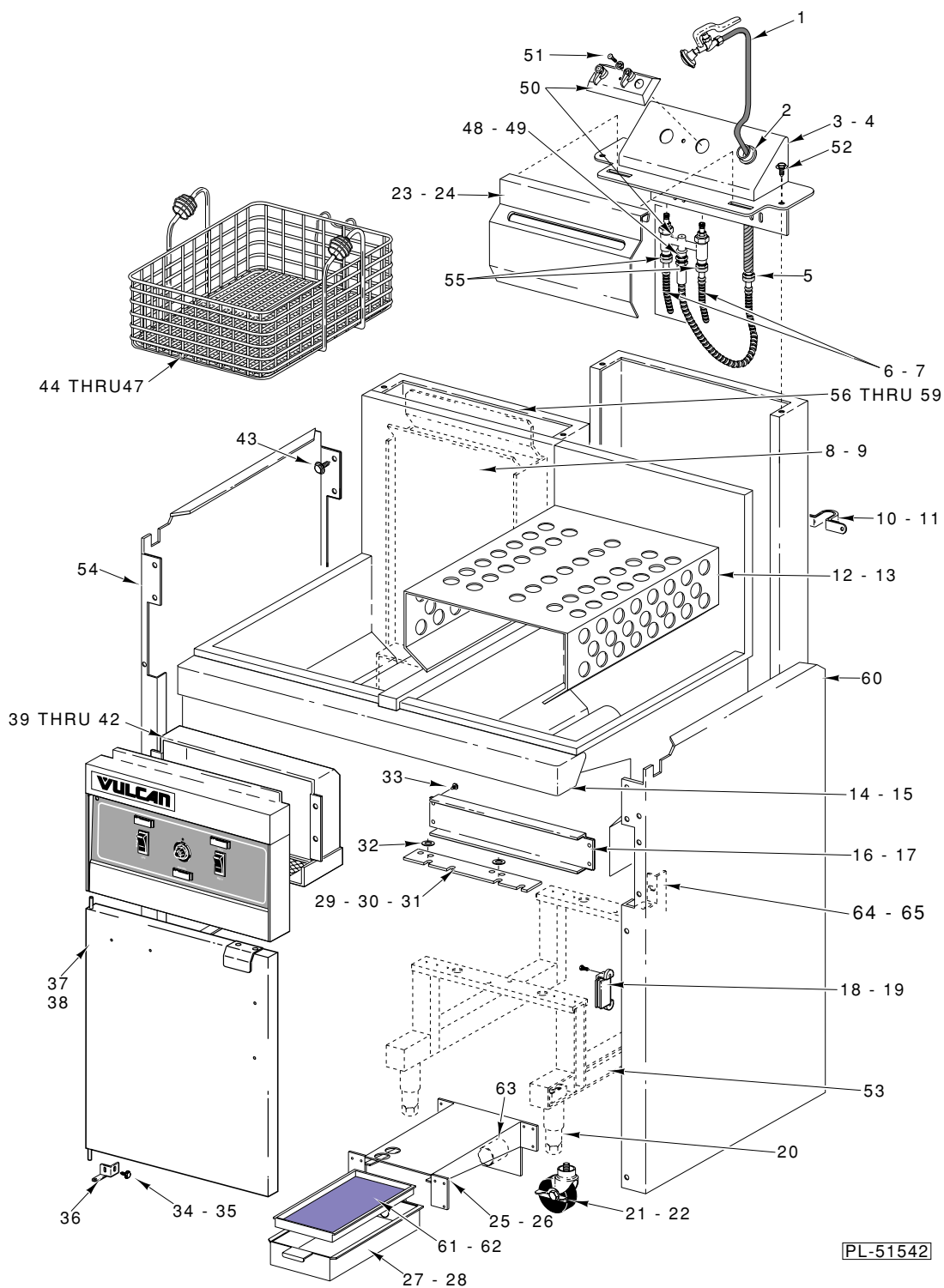
<i>GPC12</i>	<i>ML-52386</i>
<i>GPC12S</i>	<i>ML-52423</i>
<i>GPC16</i>	<i>ML-52387</i>
<i>GPC16S</i>	<i>ML-52424</i>



TABLE OF CONTENTS

PAGE	DESCRIPTION
5	PASTA COOKER BODY
7	BURNER COMPONENTS
9	WATER CONTROL PANEL
11	GAS CONTROL PANEL
13	BASKETLIFT
14	GAS PIPING ASSEMBLY
15	POWER SUPPLY BOX

PASTA COOKER REPLACEMENT PARTS

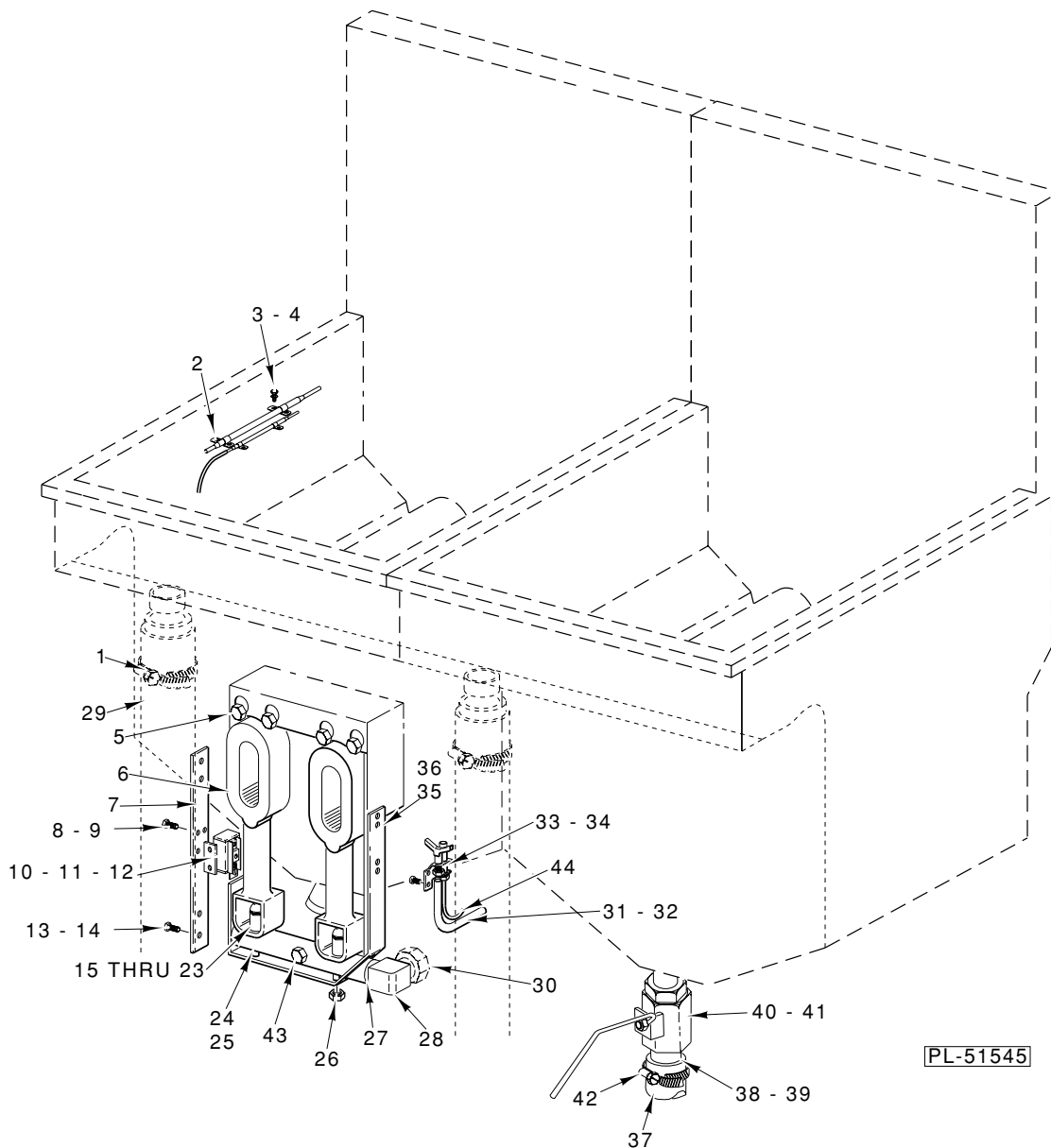


BODY

ILLUS.	PART NO.	NAME OF PART	AMT.
PL-51542	1	357230-G1 Prerinse Assy.(Incls.items 5, 48 & 49)	1
	2	357227-1 Flange - Protective	1
	3	357278-G1 Water Spray cover Assy.(GPC12S)	1
	4	357275-G1 Water Spray cover Assy.(GPC16S)	1
	5	357230-1 Prerinse - Sprayer	1

BODY CON'T.

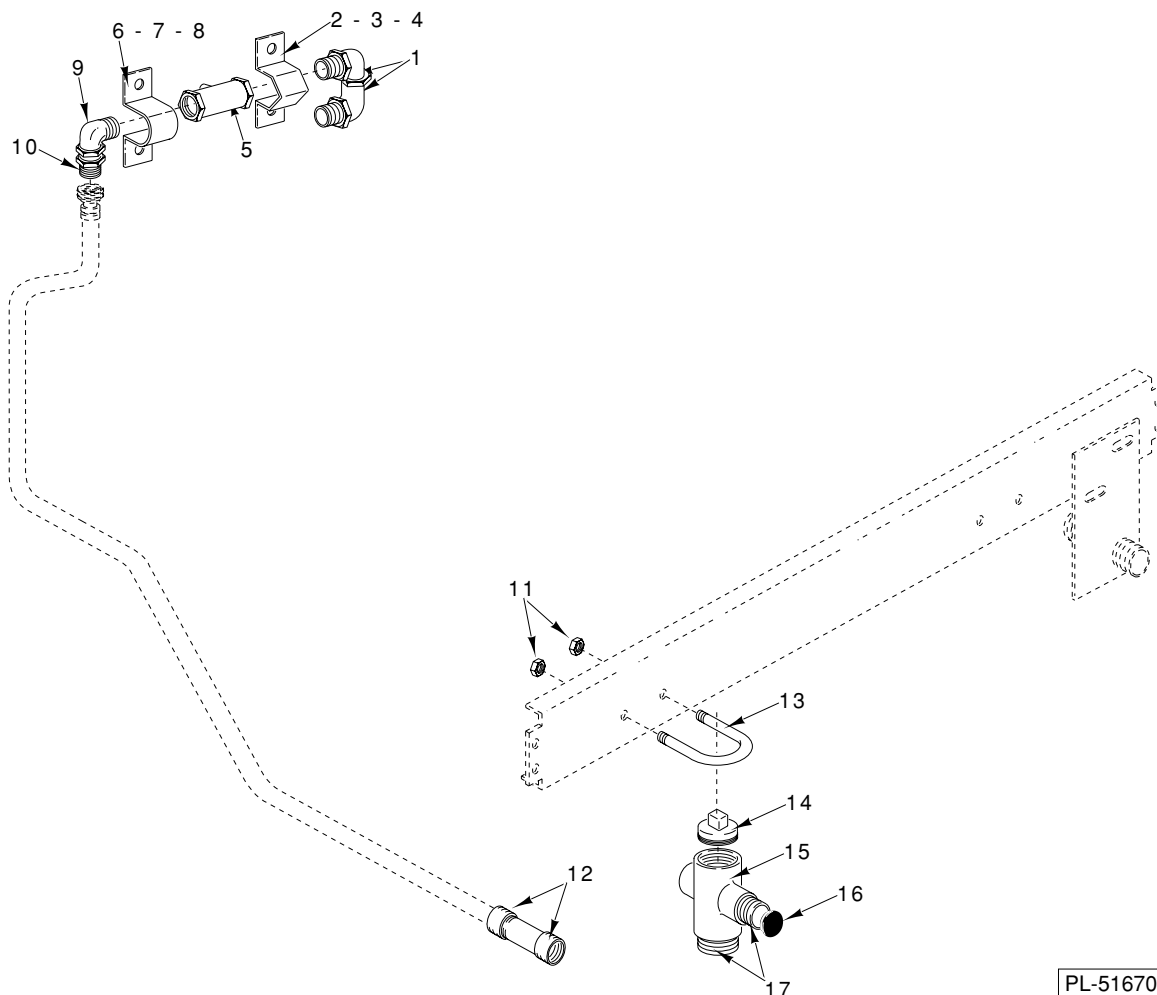
ILLUS. PL-51542	PART NO.	NAME OF PART	AMT.
6	357225-1	Hose - Fill (30")(GPC12S)	2
7	357225-2	Hose - Fill (48")(GPC16S)	2
8	418201-G1	Flue Box Assy.(GPC12)	1
9	418205-G1	Flue Box Assy.(GPC16)	1
10	417063-1	Strap - Tie Down	1
11	SD-32-7	Self-Tapping Screw 10-24 x ½ Hex Washer Hd., Type TT	2
12	357271-1	Rack - Support (GPC12S)	1
13	357271-2	Rack - Support (GPC16S)	1
14	418026-G1	Front Top Assy. (15 ½")(Single)	1
15	418026-G2	Front Top Assy. (31")(Double)	1
16	417014-1	Bracket - Rear Support (GPC12)	1
17	418320-1	Bracket - Rear Support (GPC16)	1
18	408834-1	Magnet - Door	2
19	SD-36-3	Self-Tapping Screw 8-18 x ¾ Hex Washer Hd., Type AB	4
20	413112-7	Leg (6 ¼) (SST)	8
21	418907-3	Caster	2
22	418907-1	Caster - Adjustable "Swivel"	2
23	417056-2	Hanger - Basket (12 ¾")	1
24	418321-2	Hanger - Basket (18 ½")	1
25	357234-G1	Top Assy.(GPC12)	2
26	357234-G2	Top Assy.(GPC16)	2
27	357235-G1	Drawer Assy.(GPC12)	2
28	357235-G2	Drawer Assy.(GPC16)	2
29	419580	Bracket - Power Supply Mounting	1
30	SC-113-90	Mach. Screw ¼-20 x ¾ Hex Hd.	2
31	NS-47-72	Lock Nut ¼-20	4
32	WS-4-33	Washer	8
33	SD-32-7	Self-Tapping Screw 10-24 x ½ Hex Washer Hd., Type TT	4
34	SD-32-7	Self-Tapping Screw 10-24 x ½ Hex Washer Hd., Type TT	2
35	NS-44-9	Nut Assy 10-24 Hex "KEPS"	2
36	418304-1	Hinge - Bottom Door	2
37	418327-G2	Door Assy.(GPC12)	2
38	418327-G4	Door Assy.(GP16)(SST)	2
39	419264-G1	Control Box Assy.(Required on "HOT" Side of Double Unit Only)	1
40	419265-G1	Control Box (GPC16S)	1
41	419264-G2	Control Box (Hot)(Required on GPC12 [Stand Alone Unit] Only)	1
42	419265-G2	Control Box (Hot)(Required on GPC16{Stand Alone Unit} Only)	1
43	SD-36-3	Self-Tapping Screw 8-18 x ¾ Hex Washer Hd., Type AB	28
44	420824-1	Basket (GPC12)	1
45	420824-2	Basket (GPC16)	1
46	357302-1	Basket - Retherm (GPC12)(Not Shown)	1
47	357282-1	Basket - Retherm (GPC16)(Not Shown)	1
48	357230-2	Hose - Vacuum Breaker	1
49	357230-3	Adapter ¾ MPT x ¾-14 Male	1
50	357304-G1	Valve - Mixing Water (GPCS)	1
51	SC-122-70	Mach. Screw 8-32 x 1 ¾ Pan Hd.	1
52	SD-32-7	Self-Tapping Screw 10-24 x ½ Hex Washer Hd., Type TT	1
53	420839-G1	Base Assy.(GPC12)	2
54	419777-3	Side - Body (LH)(SST)	1
55	FP-87-68	Fitting - Hose ¾ to ¾ MPT	2
56	416959-2	Flue - Wrap (SST)(GPC12)	1
57	418336-2	Flue - Wrap (SST)(GPC16)	1
58	418125-G2	Wrap - Flue (SST)(Used W/Basketlift Only)(GPC12)	1
59	418126-G2	Wrap - Flue (SST)(Used W/Basketlift Only)(GPC16)	1
60	419777-4	Side - Body (RH)(SST)	1
61	357236-G1	Box - Filter (GPC12)	2
62	357236-G2	Box - Filter (GPC16)	2
63	357242-1	Coupling - Flexible 2 x 3 (Fernco)	1
64	357215-1	Clip (LH)(Required on "Sink" Side Only)	1
65	357215-2	Clip (RH)(Required on "Sink" Side Only)	1
	357224-1	Cup - Portion	12
	418657-G1	Hose - Flex 4' (Not Shown)(Incls. Hose, Disconnect, Elbow & Pipe)	1
	418658-G1	Hose - Flex 5' (Not Shown)(Incls. Hose, Disconnect, Elbow & Pipe)	1
	357218-G1	Vat Cover Assy.(GPC12S)(Not Shown)	1
	357222-G1	Vat Cover Assy.(GPC16S)(Not Shown)	1
	78752-3	Clamp - Cable (Not Shown)	1



BURNER COMPONENTS

BURNER COMPONENTS

ILLUS. PL-51545	PART NO.	NAME OF PART	AMT.
1	521688	Clamp - Hose (1 Per Tank)	2
2	357272-1	Clip - Thermo/Hi-Limit (Hot)	2
3	SC-119-97	Mach. Screw 10-24 x ½ Hex Washer Hd.	2
4	NS-48-23	Nut Assy. 10-24 "Keps"	2
5	SC-62-7	Cap Screw ⅜-18 x ½ Hex Hd.	4
6	410681-2	Burner	2
7	417714-1	Extension - Hanger	1
8	SD-32-7	Self-Tapping Screw 10-24 x ½ Hex Washer Hd., Type TT	2
9	NS-44-9	Nut Assy 10-24 Hex "KEPS"	2
10	419548	Bracket - Hi-Limit	1
11	419670-3	Control - Hi-Limit Thermostat	1
12	SD-36-80	Self-Tapping Screw 8-32 x ⅜ Hex Washer Hd., Type TT	2
13	SD-37-70	Self-Tapping Screw ¼-20 x ½ Hex Washer Hd., Type TT	2
14	NS-46-52	Nut - ¼-20 Hex "Keps"	2
15	10901-39	Orifice - Spud (Nat. Gas)(Sea Level - 2000 Ft.)	AR
16	10901-41	Orifice - Spud (Nat. Gas)(2000-3000 Ft.)	AR
17	10901-42	Orifice - Spud (Nat. Gas)(3000-5000 Ft.)	AR
18	10901-43	Orifice - Spud (Nat. Gas)(5000-7000 Ft.)	AR
19	10901-44	Orifice - Spud (Nat. Gas)(7000-8000 Ft.)	AR
20	10901-52	Orifice - Spud (L.P. Gas)(Sea Level-3000 Ft.)	AR
21	10901-53	Orifice - Spud (L.P. Gas)(3000-5000 Ft.)	AR
22	10901-54	Orifice - Spud (L.P. Gas)(5000-8000 Ft.)	AR
23	410695-1	Extension - Orifice	AR
24	420630-1	Manifold - Burner (GPC12S)	1
25	418209-1	Manifold - Burner (GPC16S)	1
26	NS-47-72	Lock Nut ¼-20	2
27	FP-83-35	Pipe ½ x 2 ¼ Blacksteel	1
28	FP-86-74	Elbow - Pipe ½ x 90 Deg.	1
29	357305-1	Hose - Overflow 23" (1 Per Tank)	2
30	FP-22-11	Union - Pipe	1
31	357228-1	Tube - Pilot (W/Elect. Ignition)(Straight)(See item 10, Back Page)	1
32	357243-1	Tube - Pilot (Angled)(See item 11, Back Page)	1
33	419316-1	Pilot (Nat. Gas)(W/Electronic Ignition)	1
34	419316-2	Pilot (L.P. Gas)(W/Electronic Ignition)	1
35	420634-1	Hanger - Manifold (GPC12S)	1
36	418208-1	Hanger - manifold (3 Tube)(GPC16S)	1
37	357305-2	Hose - Overflow 6" (For Angled Weldment)	1
38	357301-1	Nipple - Extension (For Angled Weldment)(GPC12S)	1
39	357301-2	Nipple - Extension (For Angled Weldment)(GPC16S)	1
40	357233-G1	Water Valve Assy.(Incls. Extended Handle)("Hot" Side Only)	1
41	357231-1	Water Valve W/Std. Handle ("Cold" Side Only)(Not Shown)	1
42	521688	Clamp - Hose (For Angled Weldment)	1
43	FP-85-53	Pipe Plug ⅜	1
44	419359	Cable - Ignition	1
	420810-G1	Tank Assy.(GPC12)	1
	420815-G1	Tank Assy.(GPC12S)	1
	420800-G1	Tank Assy.(GPC16 & GPC16S)(Hot)	1
	420805-G1	Tank Assy.(GPC16S)(Cold)	1



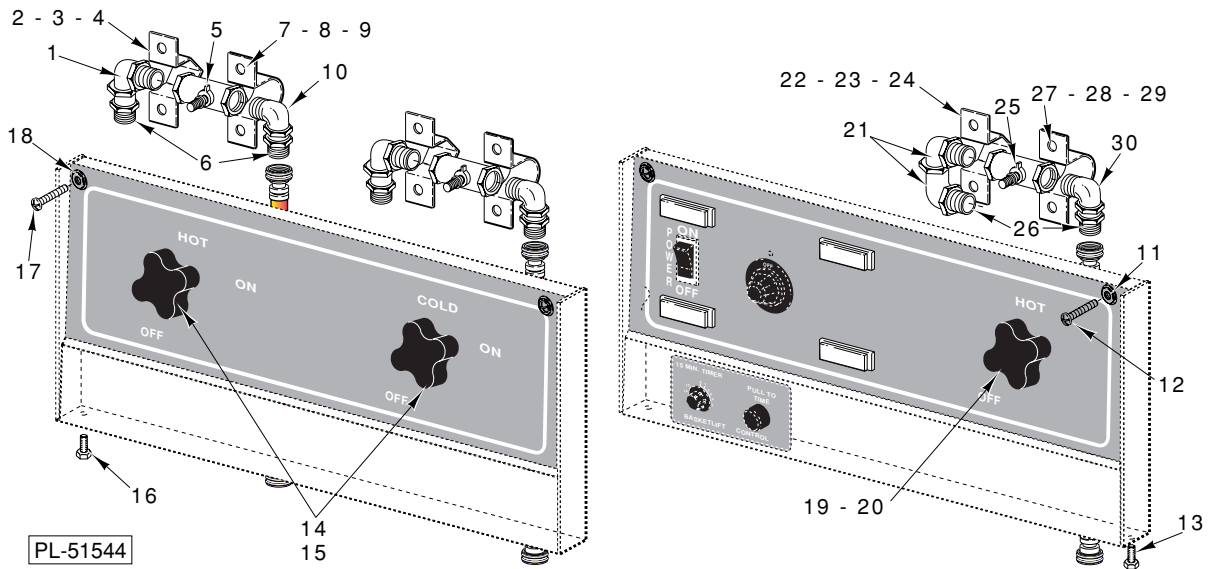
PL-51670

STAND ALONE UNIT, COLD SIDE, REAR (NO SPRAY)

REAR PLUMBING

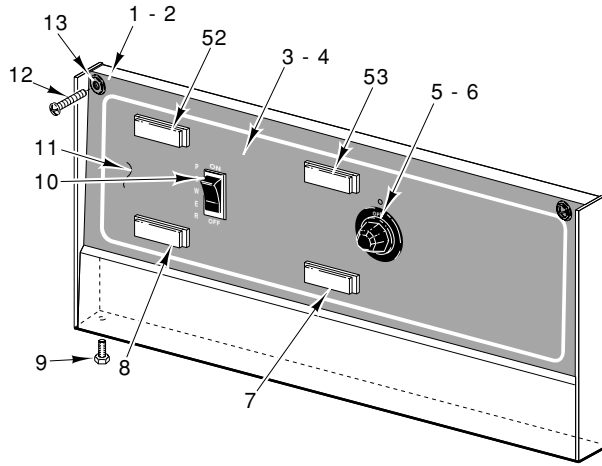
ILLUS. PL-51670	PART NO.	NAME OF PART	AMT.
1	FP-15-17	Elbow - Pipe 1/2 x 90 Deg. Brass	2
2	357303-1	Bracket - Tie Valve	1
3	SC-120-4	Mach. Screw 10-24 x 1 Truss Hd.	2
4	NS-48-22	Locknut 10-24	2
5	357306-1	Valve - Water	1
6	357266-1	Bracket - Tie Valve	1
7	SC-120-4	Mach. Screw 10-24 x 1 Truss Hd.	2
8	NS-48-22	Locknut 10-24	2
9	FP-15-17	Elbow - Pipe 1/2 x 90 Deg. Brass	1
10	FP-81-15	Fitting - Hose 3/4 to 1/2 MPT	1
11	NS-46-52	Nut - 1/4-20 Hex "Keps"	2
12	FP-87-83	Fitting - Hose 3/4 Hose Male to 1/2 FPT Brass	2
13	521820	"U" Bolt 1/4-20	1
14	FP-28-15	Plug 1/2 Pipe	1
15	FP-19-21	Fitting - Tee 1/2 x 1/2 x 1/2 Compression Fitting	1
16	PB-4-77	Cap - Red	1
17	FP-81-15	Fitting - Hose 3/4 to 1/2 MPT	2

* NOTE: When Above Assembly Comes with Spray Assembly, Remove FP-28-15, Item 14 and Replace it with FP-81-15.

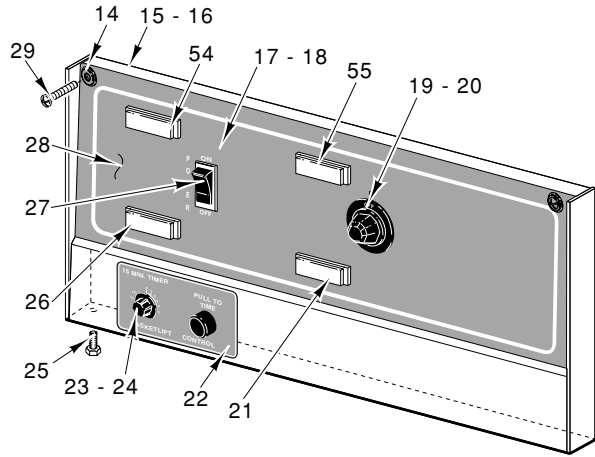


WATER CONTROL PANEL

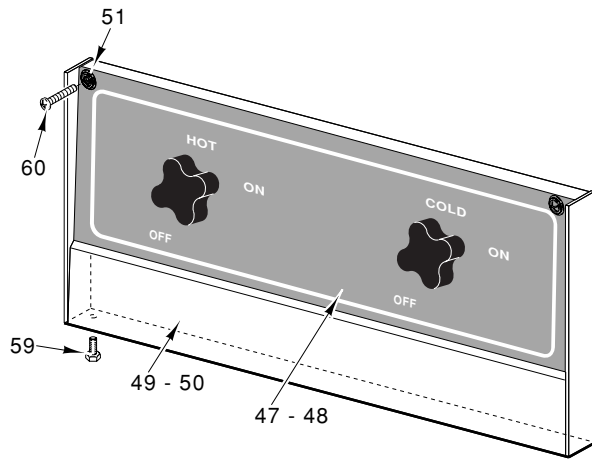
ILLUS. PL-51544	PART NO.	NAME OF PART	AMT.
	1	FP-15-17 Elbow - Pipe 1/2 x 90 Deg. Brass	2
	2	357303-1 Bracket - Tie Valve	2
	3	SC-120-4 Mach. Screw 10-24 x 1 Truss Hd.	4
	4	NS-48-22 Locknut 10-24	4
	5	357306-1 Valve - Water	2
	6	FP-81-75 Fitting - Tube 7/16 TBG x 1/4 MPT Brass	4
	7	357266-1 Bracket - Tie Valve	2
	8	SC-120-4 Mach. Screw 10-24 x 1 Truss Hd.	4
	9	NS-48-22 Locknut 10-24	4
	10	FP-15-17 Elbow - Pipe 1/2 x 90 Deg. Brass	2
	11	415675-1 Washer - Nobestos	2
	12	SD-36-97 Self-Tapping Screw 8-18 x 1 1/4 Hex Washer Hd., Type B	2
	13	SD-37-49 Self-Tapping Screw 8-18 x 1/2 Hex Washer Hd., Type AB	2
	14	357261-1 Handle	2
	15	SC-47-17 Set Screw 1/4-20 x 1/4 Soc. Hd., Cup Pt.	2
	16	SD-37-49 Self-Tapping Screw 8-18 x 1/2 Hex Washer Hd., Type AB	2
	17	SD-36-97 Self-Tapping Screw 8-18 x 1 1/4 Hex Washer Hd., Type B	2
	18	415675-1 Washer - Nobestos	2
	19	357261-1 Handle	1
	20	SC-47-17 Set Screw 1/4-20 x 1/4 Soc. Hd., Cup Pt.	1
	21	FP-15-17 Elbow - Pipe 1/2 x 90 Deg. Brass	2
	22	357303-1 Bracket - Tie Valve	1
	23	SC-120-4 Mach. Screw 10-24 x 1 Truss Hd.	2
	24	NS-48-22 Locknut 10-24	2
	25	357306-1 Valve - Water	1
	26	FP-81-15 Fitting - Hose 3/4 to 1/2 MPT	2
	27	357266-1 Bracket - Tie Valve	1
	28	SC-120-4 Mach. Screw 10-24 x 1 Truss Hd.	2
	29	NS-48-22 Locknut 10-24	2
	30	FP-15-17 Elbow - Pipe 1/2 x 90 Deg. Brass	1



**GPC12S/GPC16S HOT
W / O BASKETLIFT**

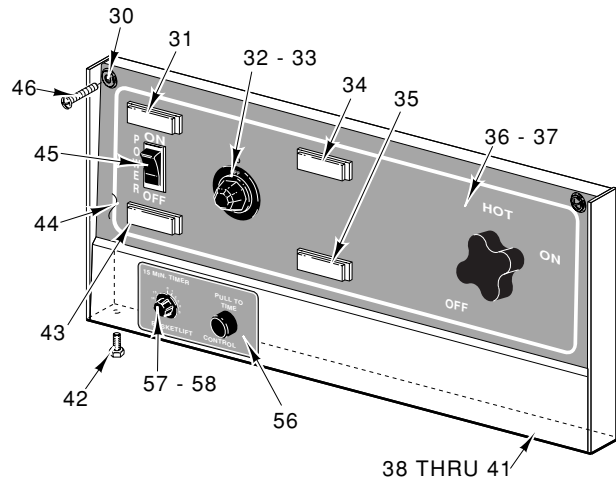


**GPC12S/GPC16S HOT
W / BASKETLIFT**



**GPC12S/GPC16S
BATTERY COLD TANK**

PL-51547



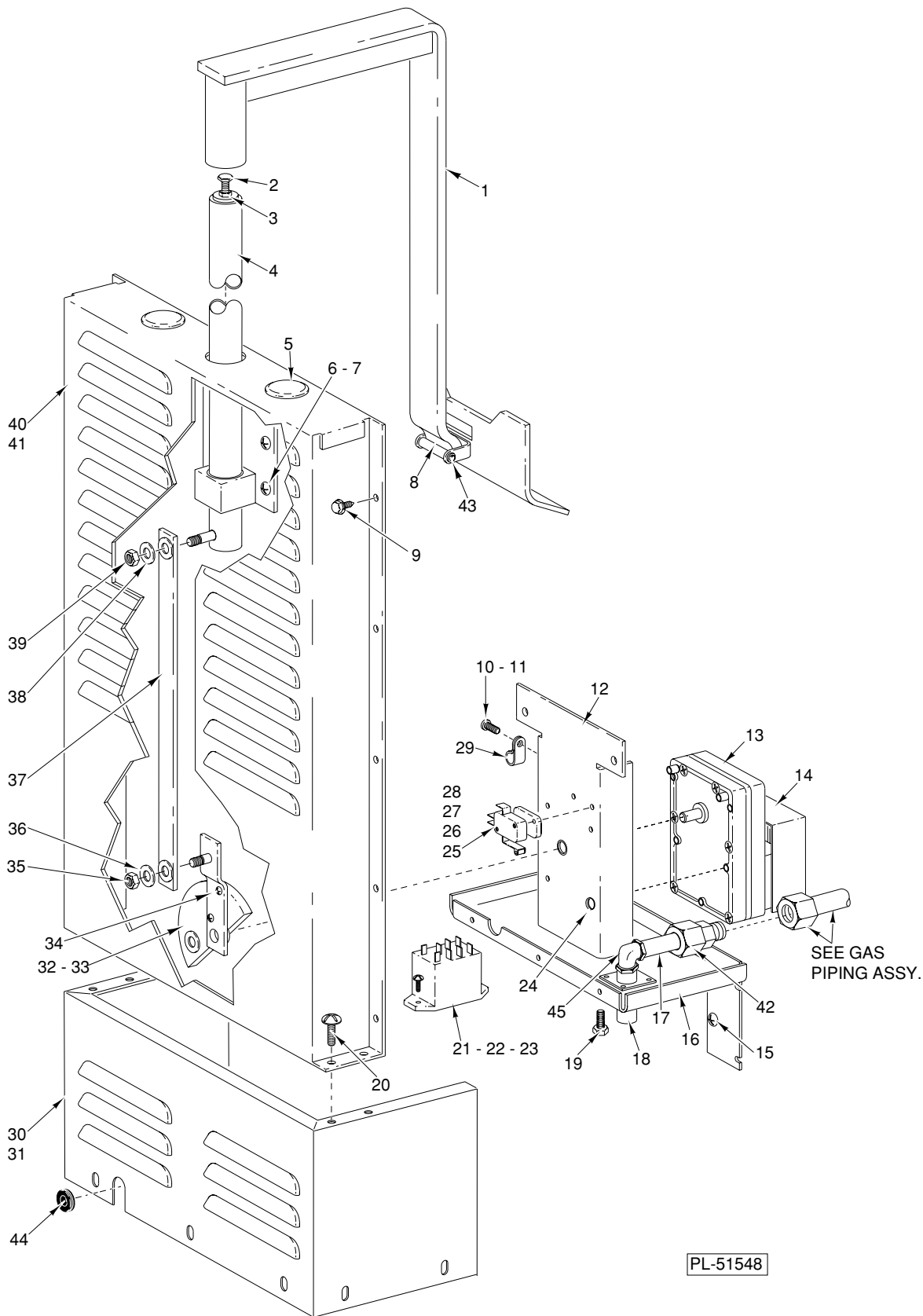
**GPC12/GPC16 HOT
W / BASKETLIFT**

GAS CONTROL PANEL

GAS CONTROL PANEL

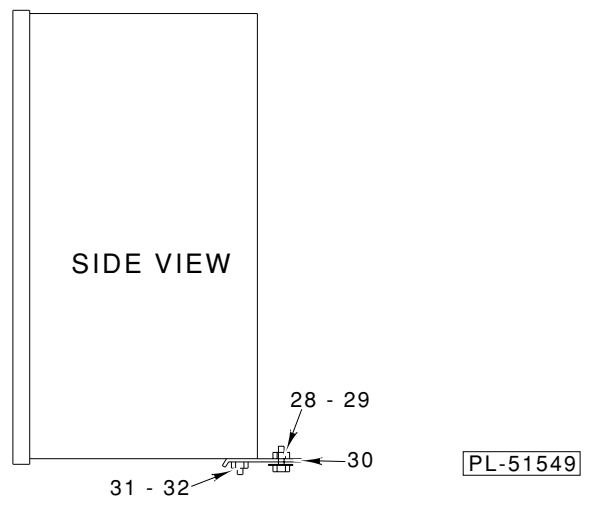
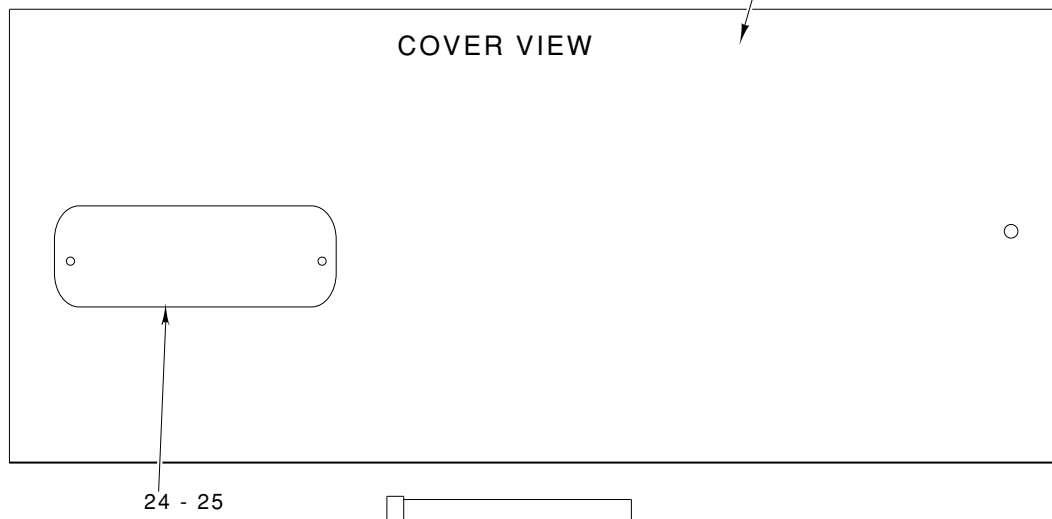
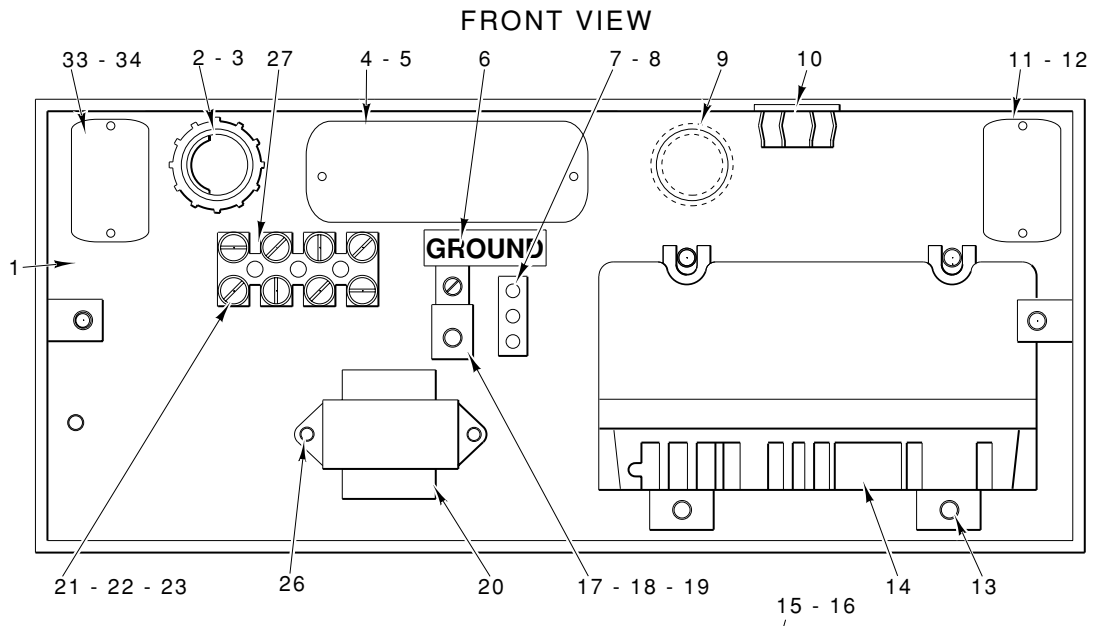
ILLUS. PL-51547	PART NO.	NAME OF PART	AMT.
1	357284-G2	Panel - Control (GPC12)(Hot)(W/O Basketlift)	1
2	357296-G2	Panel - Control (GPC16)(Hot)(W/O Basketlift)	1
3	420830-1	Overlay - Control Panel (GPC12S)(Hot)	1
4	420831-1	Overlay - Control Panel (GPC16S)(Hot)	1
5	357263-2	Knob	1
6	419999-3	Thermostat - Reed Switch	1
7	411496-E13	Light - Indicator (Amber)(Heating)	1
8	411496-E10	Light - Indicator (Red)(Trouble)	1
9	SD-37-49	Self-Tapping Screw 8-18 x 1/2 Hex Washer Hd., Type AB	2
10	411496-B1	Switch - Rocker	1
11	416535-4	Relay S.P.D.T. 24 V. Coil (Mounted Behind Panel)	1
12	SD-36-97	Self-Tapping Screw 8-18 x 1/4 Hex Washer Hd., Type B	2
13	415675-1	Washer - Nobestos	2
14	415675-1	Washer - Nobestos	2
15	357284-G1	Panel - Control (GPC12)(Hot)(W/Basketlift)	1
16	357296-G1	Panel - Control (GPC16)(Hot)(W/Basketlift)	1
17	420830-1	Overlay - Control Panel (GPC12S)(Hot)	1
18	420831-1	Overlay - Control Panel (GPC16S)(Hot)	1
19	357263-2	Knob	1
20	419999-3	Thermostat - Reed Switch	1
21	411496-E13	Light - Indicator (Amber)(Heating)	1
22	415255-1	Overlay - Basketlift	1
23	415254-2	Timer - Basketlift(Solid State)	1
24	415269-1	Knob - Basketlift Timer	1
25	SD-37-49	Self-Tapping Screw 8-18 x 1/2 Hex Washer Hd., Type AB	2
26	411496-E10	Light - Indicator (Red)(Trouble)	1
27	411496-B1	Switch - Rocker	1
28	416535-4	Relay S.P.D.T. 24 V. Coil	1
29	SD-36-97	Self-Tapping Screw 8-18 x 1/4 Hex Washer Hd., Type B	2
30	415675-1	Washer - Nobestos	2
31	411496-E8	Light - Indicator (Red)	1
32	357263-2	Knob	1
33	419999-3	Thermostat - Reed Switch	1
34	411496-E20	Light - Indicator (Red)(Hi-Limit)	1
35	411496-E13	Light - Indicator (Amber)(Heating)	1
36	420834-1	Overlay - Control Panel (GPC12)(Hot)	1
37	420835-1	Overlay - Control Panel (GPC16S)	1
38	357290-G1	Panel - Control (GPC12)(W/Basketlift)	1
39	357299-G1	Panel - Control (GPC16S)(W/Basketlift)	1
40	357290-G2	Panel - Control (GPC12)(W/O Basketlift)(Not Shown)	1
41	357299-G2	Panel - Control (GPC16)(W/O Basketlift)(Not Shown)	1
42	SD-37-49	Self-Tapping Screw 8-18 x 1/2 Hex Washer Hd., Type AB	2
43	411496-E10	Light - Indicator (Red)(Trouble)	1
44	416535-4	Relay S.P.D.T. 24 V. Coil	1
45	411496-B1	Switch - Rocker	1
46	SD-36-97	Self-Tapping Screw 8-18 x 1/4 Hex Washer Hd., Type B	2
47	420832-1	Overlay - Control Panel (GPC12S)(Cold)	1
48	420833-1	Overlay - Control Panel (GPC16S)(Cold)(Battery)	1
49	357287-G1	Panel - Control (GPC12S)	1
50	357293-G1	Panel - Control (GPC16S)(Battery)	1
51	415675-1	Washer - Nobestos	2
52	411496-E8	Light - Indicator (Red)	1
53	411496-E20	Light - Indicator (Red)(Hi-Limit)	1
54	411496-E8	Light - Indicator (Red)	1
55	411496-E20	Light - Indicator (Red)(Hi-Limit)	1
56	415255-1	Overlay - Basketlift	1
57	415254-2	Timer - Basketlift(Solid State)	1
58	415269-1	Knob - Basketlift Timer	1
59	SD-37-49	Self-Tapping Screw 8-18 x 1/2 Hex Washer Hd., Type AB	2
60	SD-36-97	Self-Tapping Screw 8-18 x 1/4 Hex Washer Hd., Type B	2

PASTA COOKER REPLACEMENT PARTS



BASKETLIFT

ILLUS. PL-51548	PART NO.	NAME OF PART	AMT.
1	418474-G1	Arm - Basket Assy.	1
2	418118-1	Bolt - Adjusting	1
3	NS-18-1	Jam Nut 1/4-20 Hex	1
4	418479-G1	Tube - Basketlift	1
5	PB-4-4	Plug Button (1 1/4)	2
6	SD-32-7	Self-Tapping Screw 10-24 x 1/2 Hex Washer Hd., Type TT	6
7	418478-G1	Bearing Support Assy.	1
8	418487-1	Roller	1
9	SD-36-3	Self-Tapping Screw 8-18 x 3/8 Hex Washer Hd., Type AB	14
10	SC-109-10	Mach. Screw 6-32 x 3/8 Pan Hd.	1
11	NS-9-7	Mach. Nut 6-32 Hex	1
12	418123-G1	Plate - Motor	1
13	418156-1	Gear Motor(115V.,60 Hz.)	1
14	418517-1	Shroud - Motor	1
15	SD-32-7	Self-Tapping Screw 10-24 x 1/2 Hex Washer Hd., Type TT	2
16	418484-1	Base - Motor Mtg.	1
17	418561-2	Tube - Gas	1
18	418540-G1	Coupling Plate Assy.	1
19	SC-37-80	Cap Screw 10-24 x 1/2 Hex Hd.	8
20	SD-36-3	Self-Tapping Screw 8-18 x 3/8 Hex Washer Hd., Type AB	14
21	416535-4	Relay S.P.D.T. 24 V. Coil	1
22	SC-109-10	Mach. Screw 6-32 x 3/8 Pan Hd.	2
23	NS-9-7	Mach. Nut 6-32 Hex	2
24	SC-18-47	Mach. Screw 10-32 x 3/4 Pan Hd.	4
25	418159-1	Block - Cam Switch	1
26	411496-F3	Switch - Micro	1
27	SC-112-90	Mach. Screw 4-40 x 1 Pan Hd.	2
28	NS-9-2	Mach. Nut 4-40 Hex	2
29	78752-12	Clamp - Cable 1/2 P	1
30	418480-1	Wrap - Bottom (GPC12)	1
31	418510-1	Wrap - Bottom (GPC16)	1
32	418475-G1	Crank-Arm Assy.	1
33	SC-55-2	Set Screw 1/4-20 x 1/4 Hdls., Kn. Cup Pt.	2
34	SD-15-41	Self-Tapping Screw 8-32 x 1/2 Phil. Pan Hd., "Taptite"	2
35	NS-47-73	Lock Nut 5/16-18 Hex	2
36	WS-4-33	Washer	2
37	418477-G1	Coupler Assy.	1
38	WS-4-33	Washer	1
39	NS-47-73	Lock Nut 5/16-18 Hex	1
40	418481-1	Wrap - Top (GPC12)	1
41	418511	Wrap - Top (GPC16)	1
42	FP-12-39	Fitting - Tube 5/8 TBG x 1/2 FPT Brass	1
43	418488	Pin - Roller	1
44	418482-1	Grommet	1
45	FP-12-7	Elbow - Male (1/2 Pipe x 5/8 Tube)	1

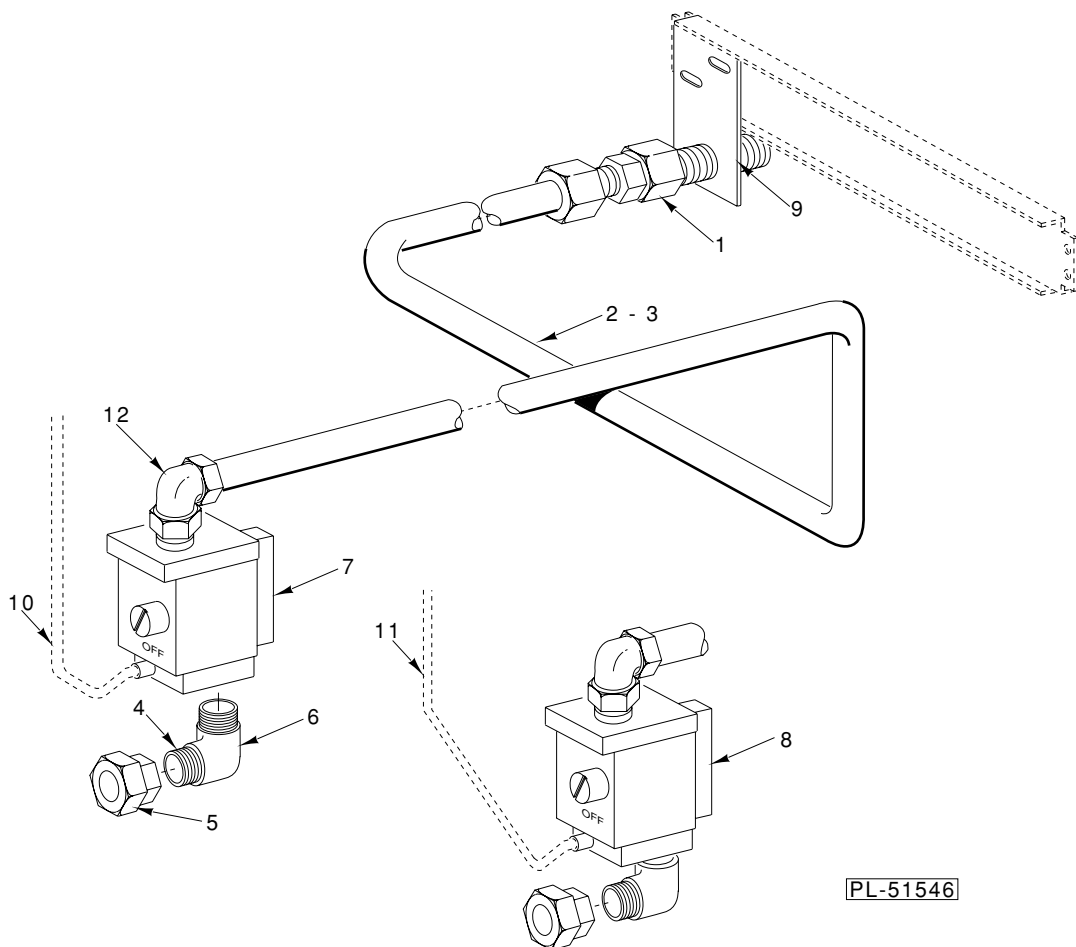


PL-51549

POWER SUPPLY BOX

POWER SUPPLY BOX

ILLUS. PL-51549	PART NO.	NAME OF PART	AMT.
1	419302-G1	Box - Power Supply	1
2	FE-23-37	Connector - Conduit ½ TS	1
3	419315	Cord - Power (Not Shown)	1
4	419375-3	Cover - Plate Power Supply Box	1
5	SC-60-23	Mach. Screw 4-40 x ¼ Rd. Hd.	2
6	410711-D1	Decal - Ground	1
7	419317	Terminal - Ground	1
8	SC-60-23	Mach. Screw 4-40 x ¼ Rd. Hd.	2
9	FE-24-24	Bushing - Elect. Snap	1
10	FE-24-28	Bushing	AR
11	419375-1	Cover - Plate Power Supply Box	1
12	SC-60-23	Mach. Screw 4-40 x ¼ Rd. Hd.	2
13	SD-37-49	Self-Tapping Screw 8-18 x ½ Hex Washer Hd., Type AB	4
14	417980-1	Ignitor Module (Honeywell)	1
15	419301	Cover - Power Supply Box	1
16	SD-37-7	Self-Tapping Screw 10-16 x 2 Hex Washer Hd., Type AB	2
17	417856-1	Lug - Grounding (With Set Screw)	1
18	SD-36-3	Self-Tapping Screw 8-18 x ⅜ Hex Washer Hd., Type AB	2
19	WL-4-40	Lockwasher 10 Medium	1
20	411500-12	Transformer 120 V.	1
21	SC-119-90	Mach. Screw 6-32 x 1 Pan Hd.	2
22	WL-4-40	Lockwasher 10 Medium	2
23	NS-9-7	Mach. Nut 6-32 Hex	2
24	419375-2	Cover - Plate Power Supply Box	1
25	SC-60-23	Mach. Screw 4-40 x ¼ Rd. Hd.	2
26	SD-36-3	Self-Tapping Screw 8-18 x ⅜ Hex Washer Hd., Type AB	2
27	414208-2	Barrier - Terminal	1
28	SC-113-90	Mach. Screw ¼-20 x ¾ Hex Hd.	2
29	NS-47-72	Lock Nut ¼-20	2
30	419580	Bracket - Power Supply Mounting	1
31	NS-47-72	Lock Nut ¼-20	2
32	WS-4-33	Washer	8
33	419375-1	Cover - Plate Power Supply Box	1
34	SC-60-23	Mach. Screw 4-40 x ¼ Rd. Hd.	2



GAS PIPING ASSEMBLY

ILLUS. PL-51546	PART NO.	NAME OF PART	AMT.
	1	Fitting - Tube $\frac{5}{8}$ TBG x $\frac{1}{2}$ FPT Brass	1
	2	357307-1 Tube - Gas (GPC12)	1
	3	357307-2 Tube - Gas (GPC16)	1
	4	FP-35-91 Pipe $\frac{1}{2}$ x $1\frac{1}{8}$ T.B.E.	1
	5	FP-22-11 Union - Pipe	1
	6	FP-13-17 Elbow - Street $\frac{1}{2}$ x 90 Deg.	1
	7	420828-1 Valve - Combination (Nat)	1
	8	420828-2 Valve - Combination (LP)	1
	9	418538-G1 Coupling Weldment	1
	10	357228-1 Tube - Pilot (W/Elect. Ignition)(Straight)	1
	11	357243-1 Tube - Pilot (Angled)	1
	12	FP-12-7 Elbow - Male ($\frac{1}{2}$ Pipe x $\frac{5}{8}$ Tube)	1