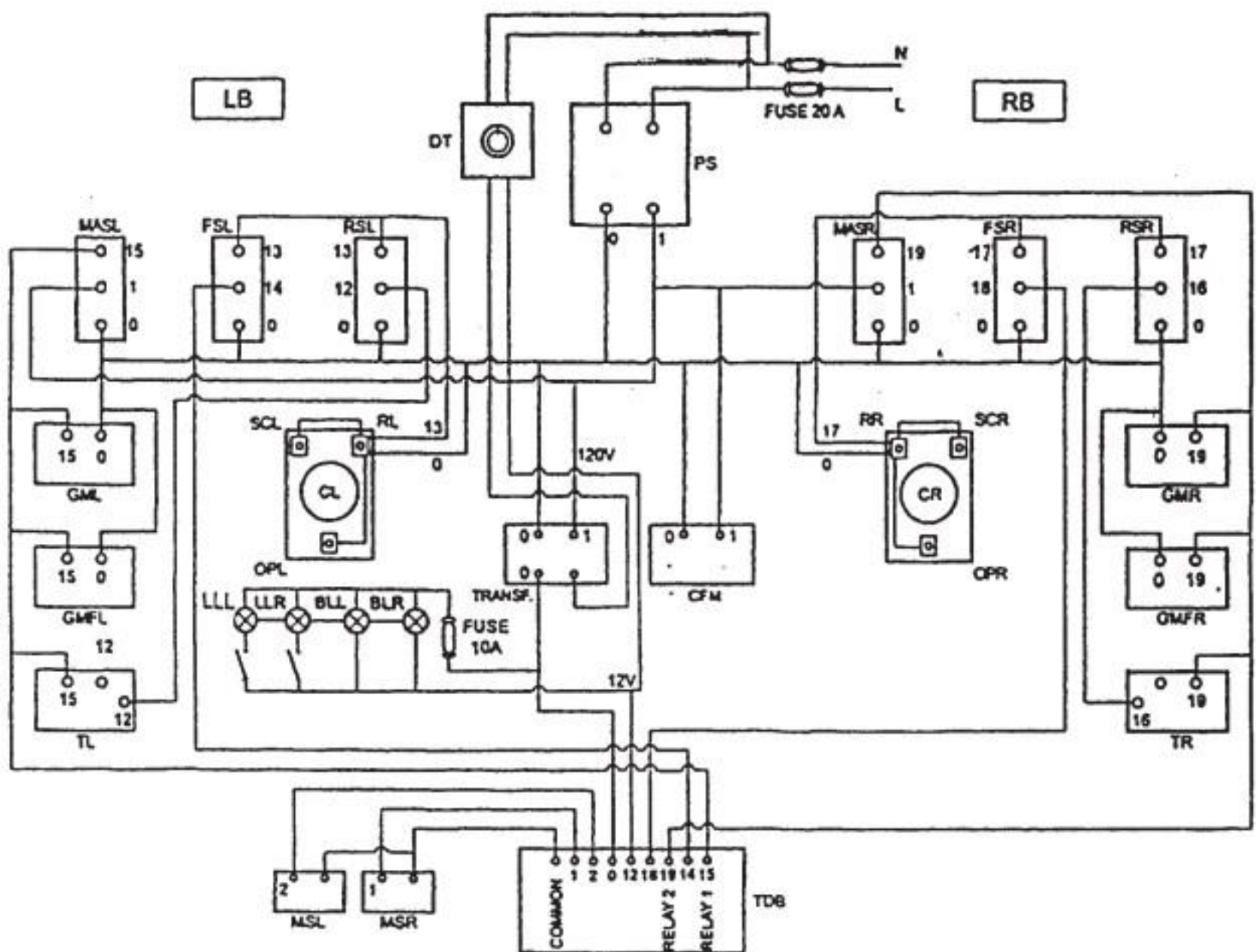
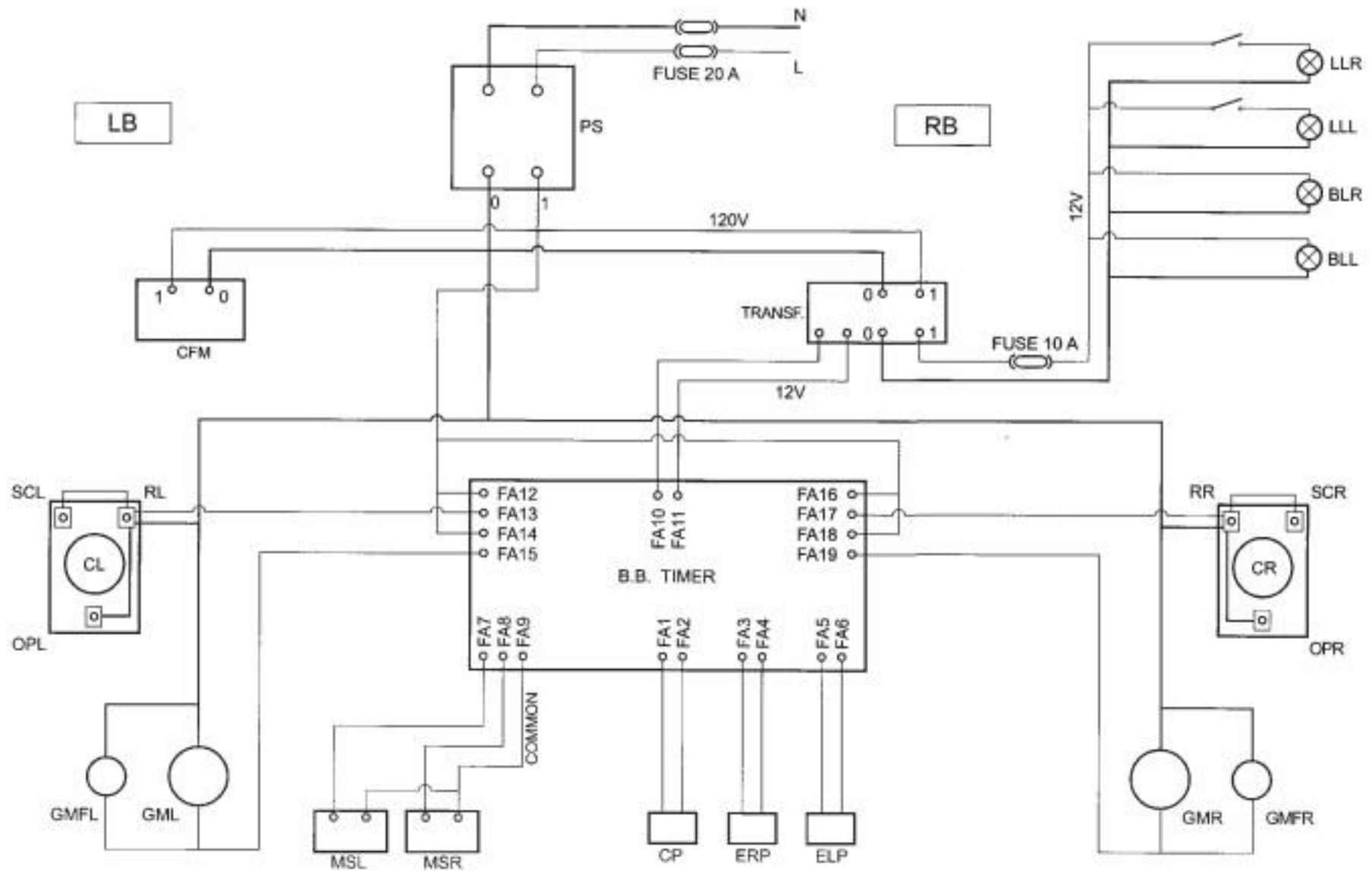


Item	Description	Item	Description
LB	LEFT BOWL	TR	THERMOSTAT RIGHT
RB	RIGHT BOWL	CL	COMPRESSOR LEFT
CO1	H.P. CUT-OUT SWITCH 1	RL	COMPRESSOR RELAY LEFT
CO2	H.P. CUT-OUT SWITCH 2	SCL	STARTING CAPACITOR LEFT
PS	POWER SWITCH	OPL	OVERLOAD PROTECTOR LEFT
DT	DEFROST TIMER	CR	COMPRESSOR RIGHT
MASL	MIXING AUGER SWITCH LEFT	RR	COMPRESSOR RELAY RIGHT
FSL	FREEZING SWITCH LEFT	SCR	STARTING CAPACITOR RIGHT
RSL	REFRIGERATING SWITCH LEFT	OPR	OVERLOAD PROTECTOR RIGHT
MASR	MIXING AUGER SWITCH RIGHT	TRANSF	TRANSFORMER
FSR	FREEZING SWITCH RIGHT	CFM	CONDENSER FAN MOTOR
RSR	REFRIGERATING SWITCH RIGHT	LLL	LID LAMP LEFT
GML	GEAR MOTOR LEFT	LLR	LID LAMP RIGHT
GMFL	GEAR MOTOR FAN LEFT	MSL	MICROSWITCH LEFT
TL	THERMOSTAT LEFT	MSR	MICROSWITCH RIGHT
GMR	GEAR MOTOR RIGHT	TDB	TIME DELAY BOARD
GMFR	GEAR MOTOR FAN RIGHT	BLL	BACK LAMP LEFT
		BLR	BACK LAMP RIGHT



Item	Description	Item	Description
LB	LEFT BOWL	RL	COMPRESSOR RELAY LEFT
RB	RIGHT BOWL	SCL	STARTING CAPACITOR LEFT
PS	POWER SWITCH	OPL	OVERLOAD PROTECTOR LEFT
DT	DEFROST TIMER	CR	COMPRESSOR RIGHT
MASL	MIXING AUGER SWITCH LEFT	RR	COMPRESSOR RELAY RIGHT
FSL	FREEZING SWITCH LEFT	SCR	STARTING CAPACITOR RIGHT
RSL	REFRIGERATING SWITCH LEFT	OPR	OVERLOAD PROTECTOR RIGHT
MASR	MIXING AUGER SWITCH RIGHT	TRANSF	TRANSFORMER
FSR	FREEZING SWITCH RIGHT	CFM	CONDENSER FAN MOTOR
RSR	REFRIGERATING SWITCH RIGHT	LLL	LID LAMP LEFT
GML	GEAR MOTOR LEFT	LLR	LID LAMP RIGHT
GMFL	GEAR MOTOR FAN LEFT	MSL	MICROSWITCH LEFT
TL	THERMOSTAT LEFT	MSR	MICROSWITCH RIGHT
GMR	GEAR MOTOR RIGHT	TDB	TIME DELAY BOARD
GMFR	GEAR MOTOR FAN RIGHT	BLL	BACK LAMP LEFT
TR	THERMOSTAT RIGHT	BLR	BACK LAMP RIGHT
CL	COMPRESSOR LEFT		



Item	Description	Item	Description
LB	LEFT BOWL	OPL	OVERLOAD PROTECTOR LEFT
RB	RIGHT BOWL	CR	COMPRESSOR RIGHT
PS	POWER SWITCH	OPR	OVERLOAD PROTECTOR RIGHT
CFM	CONDENSER FAN MOTOR	GML	GEAR MOTOR LEFT
TRANSF	TRANSFORMER (IN 120V OUT 12V)	GMFL	GEAR MOTOR FAN LEFT
BLL	BACK LAMP LEFT	GMR	GEAR MOTOR RIGHT
BLR	BACK LAMP RIGHT	GMFR	GEAR MOTOR FAN RIGHT
LLL	LID LAMP LEFT	MSL	MICROSWITCH LEFT
LLR	LID LAMP RIGHT	MSR	MICROSWITCH RIGHT
B.B. TIMER	CONTROLLER BOARD	CP	CONDENSER PROBE
CL	COMPRESSOR LEFT	ERP	EVAPORATOR RIGHT PROBE
RL	COMPRESSOR RELAY LEFT	ELP	EVAPORATOR LEFT PROBE
SCL	STARTING CAPACITOR LEFT		