



Portable Pourover Coffee Brewers

CPO-1P

CPO-1P-E

CPO-2P

CPO-2P-E

CPO-2CP

CPO-3P

CPO-3P-E

CPO-3CP

CPO-3RP

CPO-3RP-E

CPO-3RCP

CPO-4RP

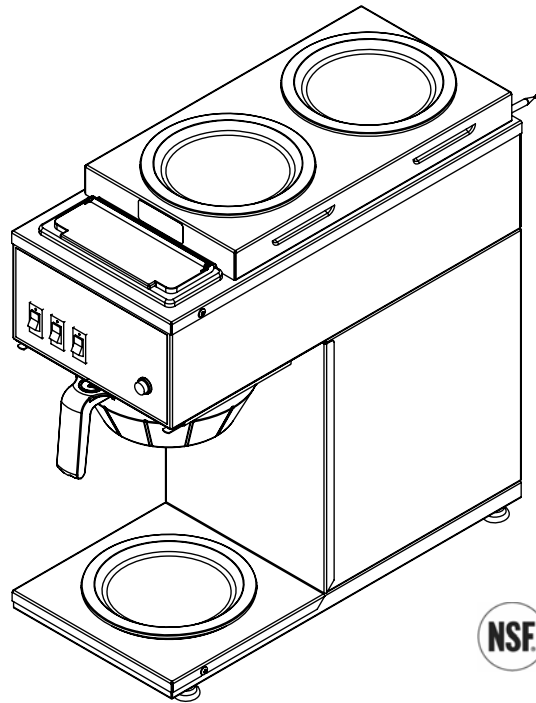
CPO-4RP-E

CPO-5RP

CPO-5RP-E

CPO-SAPP

CPO-SAPP-E



Model CPO-3P



Table of Contents

Specifications.....2	Cleaning & Maintenance.....5
Safety Information.....3	Troubleshooting Guide.....7
General Information.....4	Parts Diagram and List.....8
Installation.....4	Wiring Diagram.....17
Operation.....4	

Thank you for purchasing this quality coffee brewer. For your safety and the safety of others, read all warnings and the operator's manual before installing or using the product. Properly instruct all operators. Keep training records. For future reference, record serial number here:

GMCW

4003 Collins Lane, Louisville, KY 40245 USA
Phone: 502.425.4776 Toll Free: 800.695.4500
Fax: 502.425.4664
Web: gmcw.com Email: info@gmcw.com

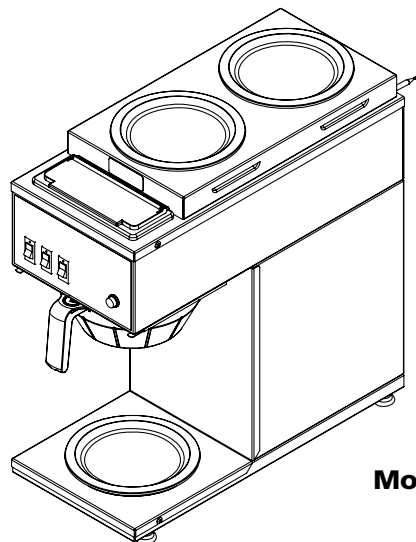
GMCW provides the industry's BEST warranty. Visit gmcw.com for warranty terms and conditions.



GMCW™

Specifications

Model	Part No.	Certifications	No. of Warmers	Electrical	Product Dimensions (H x W x D)
CPO-1P-15A	(0002-10001)	NSF Sanitation; NSFus Electrical	1 bottom	120V / 15A / 1500W / 1 Ph	17.5" x 8.25" x 17.75"
CPO-2P-15A	(0002-20001)	NSF Sanitation; NSFus Electrical	2 total: 1 top, 1 bottom	120V / 15A / 1600W / 1 Ph	18.5" x 8.25" x 17.75"
CPO-2CP-20A	(0002-20003)	NSF Sanitation; NSFus Electrical	2 total: 1 top, 1 bottom	120V / 20A / 1600W / 1 Ph	18.5" x 8.25" x 17.75"
CPO-3P-15A	(0002-30001)	NSF Sanitation; NSFus Electrical	3 total: 2 top, 1 bottom	120V / 15A / 1700W / 1 Ph	18.5" x 8.25" x 17.75"
CPO-3CP-20A	(0002-30003)	NSF Sanitation; NSFus Electrical	3 total: 2 top, 1 bottom	120V / 20A / 1700W / 1 Ph	18.5" x 8.25" x 17.75"
CPO-3RP-15A	(0002-30005)	NSF Sanitation; NSFus Electrical	3 total: 1 right top, 1 bottom, 1 right bottom	120V / 15A / 1700W / 1 Ph	17.5" x 16.2" x 17.75"
CPO-3RCP-20A	(0002-30007)	NSF Sanitation; NSFus Electrical	3 total: 1 right top, 1 bottom, 1 right bottom	120V / 20A / 1700W / 1 Ph	17.5" x 16.2" x 17.75"
CPO-4RP-20A	(0002-40001)	NSF Sanitation; NSFus Electrical	4 total: 1 top, 1 right top, 1 bottom, 1 right bottom	120V / 20A / 1900W / 1 Ph	18.5" x 16.2" x 17.75"
CPO-5RP-20A	(0002-50001)	NSF Sanitation; NSFus Electrical	5 total: 2 top, 1 right top 1 bottom, 1 right bottom	120V / 20A / 1900W / 1 Ph	18.5" x 16.2" x 17.75"
CPO-SAPP	(0002-00003)	NSF Sanitation; NSFus Electrical	No warmers - brews into airpot	120V / 15A / 1400W / 1 Ph	25" x 8.25" x 17.75"
CPO-1P-E	(0002-10004)		1 bottom	240V / 16A / 2600W / 1 Ph	17.5" x 8.25" x 17.75"
CPO-2P-E	(0002-20004)		2 total: 1 top, 1 bottom	240V / 16A / 2700W / 1 Ph	18.5" x 8.25" x 17.75"
CPO-3P-E	(0002-30008)		3 total: 2 top, 1 bottom	240V / 16A / 2800W / 1 Ph	18.5" x 8.25" x 17.75"
CPO-3RP-E	(0002-30009)		3 total: 1 right top, 1 bottom, 1 right bottom	240V / 16A / 2800W / 1 Ph	17.5" x 16.2" x 17.75"
CPO-4RP-E	(0002-40002)		4 total: 1 top, 1 right top, 1 bottom, 1 right bottom	240V / 16A / 2900W / 1 Ph	18.5" x 16.2" x 17.75"
CPO-5RP-E	(0002-50002)		5 total: 2 top, 1 right top 1 bottom, 1 right bottom	240V / 16A / 3000W / 1 Ph	18.5" x 16.2" x 17.75"
CPO-SAPP-E	(0002-00006)		No warmers - brews into airpot	240V / 16A / 2500W / 1 Ph	25" x 8.25" x 17.75"



Model CPO-3P

Safety Information

Important Safety Information



This is the safety alert symbol. It is used to alert you to potential personal injury hazards. Obey all safety messages that follow this symbol to avoid possible injury or death.

For your safety and the safety of others, read all warnings and the operator's manual before installing or using the product.

DANGER: This term warns the user of imminent hazard that will result in serious injury or death.

WARNING: This term refers to a potential hazard or unsafe practice, which could result in serious injury or death.

CAUTION: This term refers to a potential hazard or unsafe practice, which could result in minor or moderate injury.

NOTICE: This term refers to information that needs special attention or must be fully understood.

WARNING

- The brewer must only be connected to a dedicated, grounded electrical circuit (refer to serial tag on machine for voltage and amperage requirements).
- To prevent the possibility of electrocution, burns, or other injuries and to prevent damage to your brewer, do not immerse in water or any cleaning liquids.
- Do not operate a damaged brewer. Inspect the power supply cord and water supply often. If cord or plug is damaged or worn, do not use your brewer. Disconnect the electrical power.
- Turn off and unplug the brewer before cleaning or maintenance. Allow brewer to cool before cleaning or maintaining.
- Disconnect power if the machine functions abnormally and notify qualified service personnel for repairs.
- Do not permit non-qualified service personnel to attempt repairs. No user serviceable components inside the brewer. Do not disassemble the brewer.

FAILURE TO COMPLY RISKS PERSONAL INJURY, SHOCK HAZARD, FIRE, OR DAMAGE TO EQUIPMENT.

CAUTION

- Risk of burns. The brewer uses 185°F - 200°F water that, if not properly handled, could cause burns. Do not permit children to use this appliance unless there is direct adult supervision. Keep away from pets and other animals.
- For indoor use only. Do not install or use outdoors, in moving equipment, or watercraft.
- Use the product for its intended purpose only. Any other usage is inappropriate and may be dangerous. The manufacturer assumes no responsibility for injury, loss, or damage resulting from improper machine use.
- Hot surfaces may cause burns. Do not touch the brewer while in operation.
- To prevent scalding by hot water, do not remove the brew basket while in operation.
- To prevent scalding by hot water, do not move or tilt the brewer. Moving or tilting the brewer could result in water spilling from the reservoir.

NOTICE

A qualified professional should perform maintenance and repairs.

Installation, maintenance, or repairs by unqualified personnel may damage the brewer and void the manufacturer's warranty.

This equipment must be installed in accordance with the appropriate national and local codes of the country and/or region in which the appliance is installed.

Contact the manufacturer to report any malfunction of or damage to the brewer.

When turning the machine off for an extended period, be sure to evacuate the water inside the piping completely, otherwise the water inside the machine could freeze and lead to damage or cause mold to appear.

General Information

This operating manual includes instructions for using and maintaining your coffee brewer; keep this manual readily available.

After unpacking your brewer, check to ensure that your machine has not been damaged during shipping and includes all components. Notify your service representative regarding any questions or concerns before installing.

Please note that packaging material can be dangerous. Keep away from children. Discard promptly.

To ensure food safety and proper operation, clean machine regularly following the daily and weekly cleaning instructions. Cleaning and water evacuation instructions are found in the Cleaning and Maintenance Section of this manual.

When turning off the machine for an extended period, be sure to evacuate the water inside the piping completely. Otherwise, the water inside the machine could freeze and lead to damage or cause mold to appear.

Installation

▲ WARNING Read and follow installation instructions before plugging machine into an electrical circuit. Warranty will be void if unit is connected to any voltage other than that listed on the name plate.

NOTICE: Fill brewer tank with water before connecting to power supply.

Please read this manual before operating the brewer.

1. Carefully remove brewer from carton.
2. Place brewer in position on shelf, counter or other flat surface.
3. **FILL BREWER TANK WITH WATER BEFORE CONNECTING TO POWER SUPPLY**
4. Place the decanter under brew basket, raise pour-in opening cover and pour three decanters of water through the top pour-in opening. Water should come through the brew basket as the third decanter of water drains out of the pour-in basin.
5. Brewer is shipped with thermostat turned on (full clockwise position). Plug brewer into a dedicated, grounded 120V/15A or 120V/20A (240V for export models) circuit depending on model (refer to serial tag on machine).
6. Turn power switch on.
7. Allow 10-15 minutes for water in tank to

heat to brewing temperature. (Hot water may drip from brew basket on initial thermal expansion of water in the tank). This will not occur thereafter.

8. After water has reached brewing temperature (thermostat will click off, heating noise will stop), pour 1 decanter (60 oz.) of water through pour-in opening. More than 1 decanter of water will flow into decanter below brew basket due to water expansion in tank. Machine is now ready to use.
9. Pour 1 decanter of water through pour-in opening to check for proper temperature setting with an accurate thermometer. Take the temperature of this water at a point below the brew basket opening at the start of the brew cycle and when the decanter is half full. Recommended temperature of the water is approximately 195°F.
10. In higher altitude locations (5,000 feet above sea level) the thermostat may have to be adjusted lower to prevent boiling.

Operation

Your new coffee brewer is easy to operate and maintain. Before you place it in service, please have all personnel familiarize themselves with these instructions. Keep this manual in a convenient place for ready reference.

Coffee Preparation Procedures

1. Place filter into brew basket.
2. Put the proper amount of coffee into the filter.
3. Slide the brew basket into holder.
4. Place empty decanter on warmer located directly under the brew basket and turn corresponding warmer switch ON.

NOTE: For airpots, open airpot lid, remove pump stem from airpot and place airpot opening directly under center hole in brew basket.

5. Pour decanter of fresh water through pour-in opening at top of brewer. (Make sure ready light is on before brewing).
6. Hot water will be delivered through the sprayhead. This distributes the hot water evenly over the coffee bed within the brew basket. The coffee will drain from brew basket into the container below.
7. **TURN OFF WARMER WHEN NOT IN USE.** (Red light indicates warmer is ON). Not for airpot brewers.

Operation (continued)

8. Before brewing next pot, remove brew basket from brew rails and dump filter into waste basket.

If you need help, call GMCW Technical Service Department for help, (502) 425-4776 or (800) 695-4500 (USA & Canada only) 8 AM - 6 PM EST.

Prior authorization must be obtained from GMCW for all warranty claims.

Cleaning & Maintenance

▲ WARNING Burn Hazard. Hot liquids and surfaces are present in this equipment. To avoid burns, use caution when cleaning. Rinse hot parts with cold water before cleaning. Use gloves or a heavy cloth when removing hot parts from brewer.

Cleaning Instructions

After Each Brew:

1. Dispose of grounds and rinse brew basket.
2. Rinse decanter or airpot containers before reuse.

Every Day:

1. Wash brew basket with warm soapy water, thoroughly rinse and dry using a clean absorbent towel.
2. Remove spray head, located above brew basket, using gloves or a heavy towel. Wash off coffee oils and clean any plugged holes.
3. Wash Brew Funnel and Decanters or Airpot by hand as needed with warm soapy water, thoroughly rinse, and dry using a clean absorbent towel. Do not use dishwasher, which may cause airpot breakage.
4. To avoid scratches, use a soft cloth and warm soapy water or stainless steel polish on the outside.
5. Wipe exterior of brewer with a damp cloth. Do not use abrasives which will scratch surface.
6. If decanters are to be left on warmer all night, fill with water to avoid coffee oil burn-in.

Sanitizing:

- All food dispensing units should be sanitized periodically.
- All parts to be sanitized must be washed and rinsed before.

To prepare a sanitizing solution:

1. ADD 2 TSP. of LIQUID BLEACH (5.25% CONCENTRATION) TO 1 GALLON OF WATER AT ROOM TEMPERATURE (70°F - 90°F).

2. Soak all parts for a minimum of 3 minutes in the sanitizing solution.

NOTE: Always start with an unopened bottle of bleach since the solution from an opened bottle has a short life span.

3. Let all sanitized parts drain and dry naturally. DO NOT WIPE THEM DRY.

4. Before using the sanitized unit (or parts) with food stuffs, rinse all parts thoroughly with water.

Maintenance

Draining Water Tank

Always empty the tank before shipping or storage.

▲ WARNING Draining of tank should be performed by a qualified service technician. The tank contains very hot water. May cause severe burns.

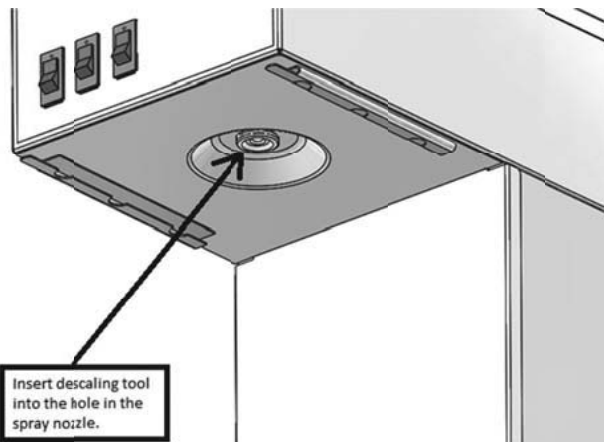
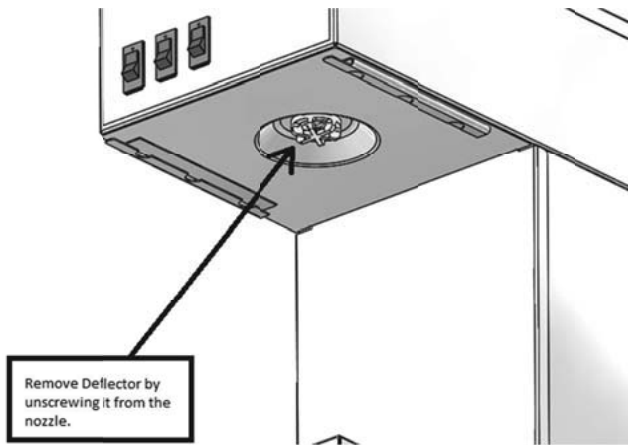
1. Prepare a heat resistant container to drain tank water into.
2. Unplug the unit's electrical plug and allow the tank water to cool.
3. Remove the top lid and disconnect the top warmers if applicable.
4. Tip over unit allowing the water to flow out of the inlet pan into a heat resistant container.
5. Allow the tank to drain completely.
6. Reinstall top lid.

Cleaning & Maintenance (continued)

Descaling the coffee brewer

▲ WARNING Disconnect power before servicing.
Risk of electric shock.

1. Unplug the brewer and remove the deflector from the outlet nozzle.
2. Slide the descaling tool into the nozzle outlet. Continue to put it into the unit about 12 inches and remove it. Clean off the tool between each time. Repeat until the tool comes out clean.
3. Run water through coffee brewer to remove any loose scaling.
4. Reinstall deflector.



Component Replacement Instructions

▲ WARNING Disconnect power before servicing.
Risk of electric shock.

These steps apply to replacement of **TANK, TANK HEATER, and HI-LIMIT** or **MAIN THERMOSTAT**

1. Remove brewer lid. Disconnect electrical connectors from upper warmer plate if applicable.
2. Remove pour in basin assembly (receiving pan).
3. Disconnect electrical terminals and hoses as needed.

4. Remove four nuts mounting the tank.
5. Lift tank and lid completely out of unit.
6. Remove eight nuts that mount the tank to tank lid.
7. Reverse steps 1-6 to reassemble new tank assembly.

THERMOSTAT, HI-LIMIT

1. Disconnect wires to hi-limit thermostat.
2. Remove hi-limit thermostat from containment clip.
3. Check continuity of the new hi-limit thermostat before installing.
4. Install thermostat in containment clip and reconnect wires.
5. Make sure the hi-limit thermostat is securely mounted and that all electrical connections are tight and isolated.

MAIN THERMOSTAT

1. Disconnect wires and remove tank and tank lid assembly.
2. Remove eight nuts that mount the tank to tank lid.
3. Remove screws which secure thermostat to tank lid.
4. Loosen thumb nut securing capillary bulb.
5. Remove capillary bulb from the grommet in top of tank lid by pressing up with thumb from under side and pulling capillary bulb out through hole.
6. Reverse steps 1-5 to reassemble new tank assembly.

TANK HEATING ELEMENT

1. Disconnect wires and remove tank and tank lid assembly.
2. Remove eight nuts that mount the tank to tank lid.
3. Loosen thumb nut securing capillary bulb and remove bracket.
4. Remove two nuts and remove element.
5. Install new element and washers with nuts secured tightly.
6. Inspect tank lid gasket and replace if necessary.
7. Reverse steps 1-3 to reassemble.

WARMER ELEMENT

1. Remove retaining nut from warmer plate.
2. Lift plate and disconnect leads.
3. Remove warmer element from plate.
4. Reverse steps 1-3 to reassemble.
5. Plug the brewer back in.

Troubleshooting Guide

Before you call for help, please read the following:

▲ WARNING Unplug power cord from outlet before cleaning or servicing your brewer.

Problem	Possible Source	Check	Solution
No Hot Water	1. Tank Heater 2. Hi-limit thermostat or main thermostat	1. Check the voltage at the tank heater terminals. Voltage should be 120VAC or 240VAC. Check serial tag for proper voltage. 2. Check the voltage between the white wire on the tank heater terminal and the incoming terminal (black wire) on the hi-limit thermostat, then the outgoing (black wire) terminal on the hi-limit thermostat.	1. (A) If correct voltage is present at the tank heater terminals and water is not being heated, replace tank heater. (B) If voltage is not present at tank heater terminals, refer to step 2. (C) If incorrect voltage is present at tank heater terminals, check voltage at outlet. 2. (A) If voltage is present on incoming terminal on the hi-limit thermostat but not on the outgoing terminal, replace hi-limit thermostat. (B) Check voltage between black and white wire on receptacle. If voltage is not present check outlet or circuit breaker. (C) If voltage is not present on incoming terminal of hi-limit thermostat, replace main thermostat.
Steaming or Spitting Around Funnel	1. Main thermostat 2. High altitude	1. Thermostat contact stuck or out of calibration. 2. For altitude above 5,000 feet.	1. (A) Adjust thermostat to lower temperature setting. (B) Thermostat should be calibrated or replaced. 2. (A) Adjust thermostat to lower temperature setting.
Dripping	1. Not siphoning properly	1. Water should flow from sprayhead freely.	1. (A) Clean sprayhead holes (B) Check tightness of sprayhead tube. (C) Check water outlet pipe for debris
Dry Coffee Remaining on Brew	1. Filters 2. Not siphoning properly 3. Improper loading of brew basket	1. Are correct filters being used? 2. Refer to "dripping" step 1 3. Filter and coffee in brew basket	1. Use correct filter 2. Refer to "dripping" step 1 3. Filter should be centred in brew basket and coffee bed should be level.
Warmer Station Cold	1. Warmer - defective 2. Warmer On/Off switch 3. Bad harness	1. Voltage at warmer terminals should be 120VAC or 240VAC. 2. If voltage is not present on warmer terminals, check continuity of switch. 3. Check connections between harness and switch, and between switch and warmer.	1. If voltage is present on terminals, but warmer is not heating, replace warmer. 2. If switch does not make and break continuity when turned on and off, replace switch. 3. All connections should be tight.
Overflowing	1. Receiving container not completely empty at start of brew cycle. 2. Not siphoning properly	1. Operating instructions 2. Refer to "dripping" step 1.	1. Always start brew cycle with empty container. 2. Refer to "dripping" step 1.

If you still need help, call GMCW Technical Service Department, (502) 425-4776 or (800) 695-4500 (USA & Canada only) (Monday through Friday 8 AM - 6 PM EST). Please have the model and serial number ready so that accurate information can be given.

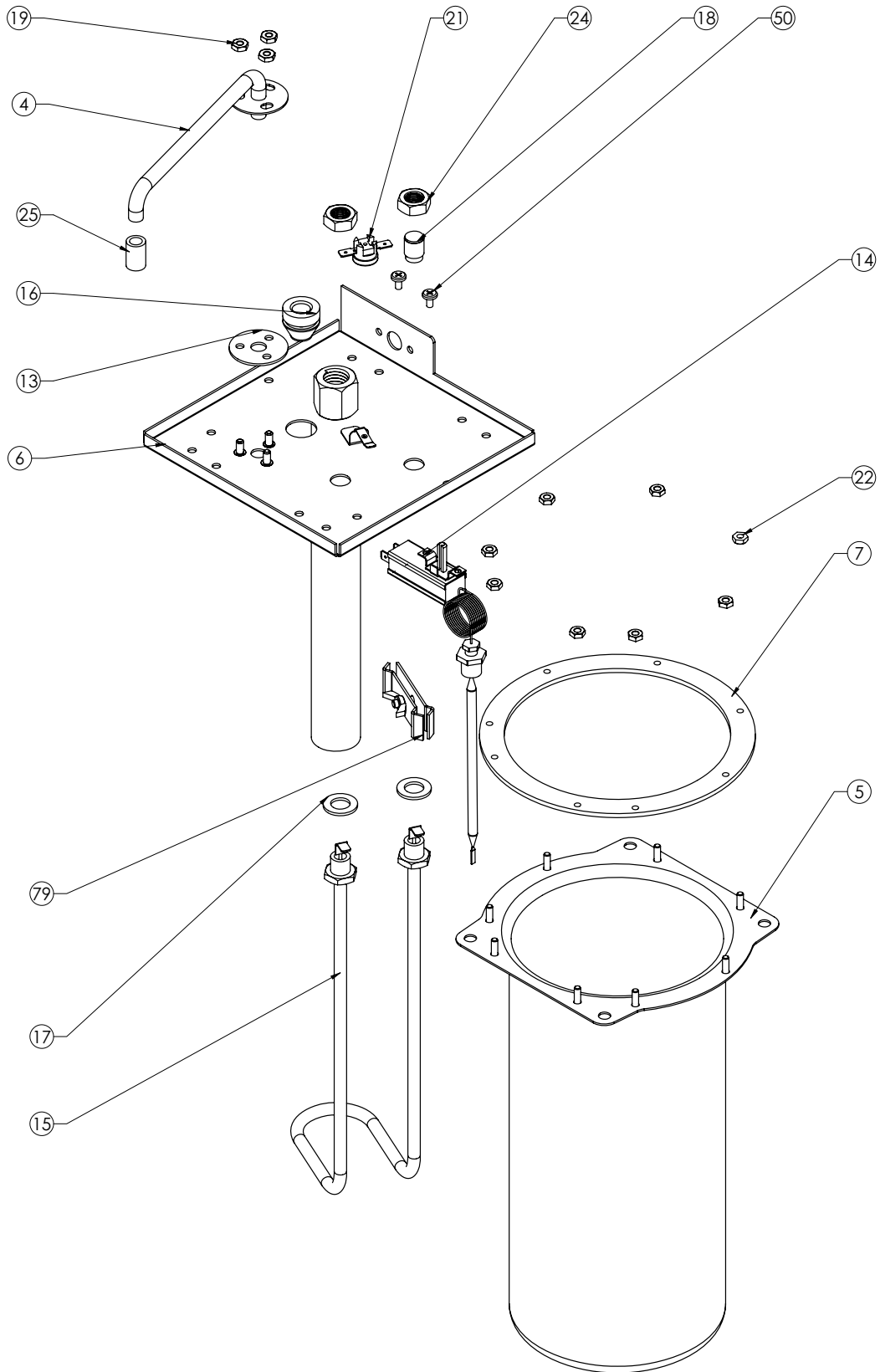
Prior authorization must be obtained from GMCW for all warranty claims.

GMCW provides the industry's BEST warranty. Visit our website at GMCW.com for warranty terms and conditions.

Parts Diagram and List

Water Tank Assembly - all models

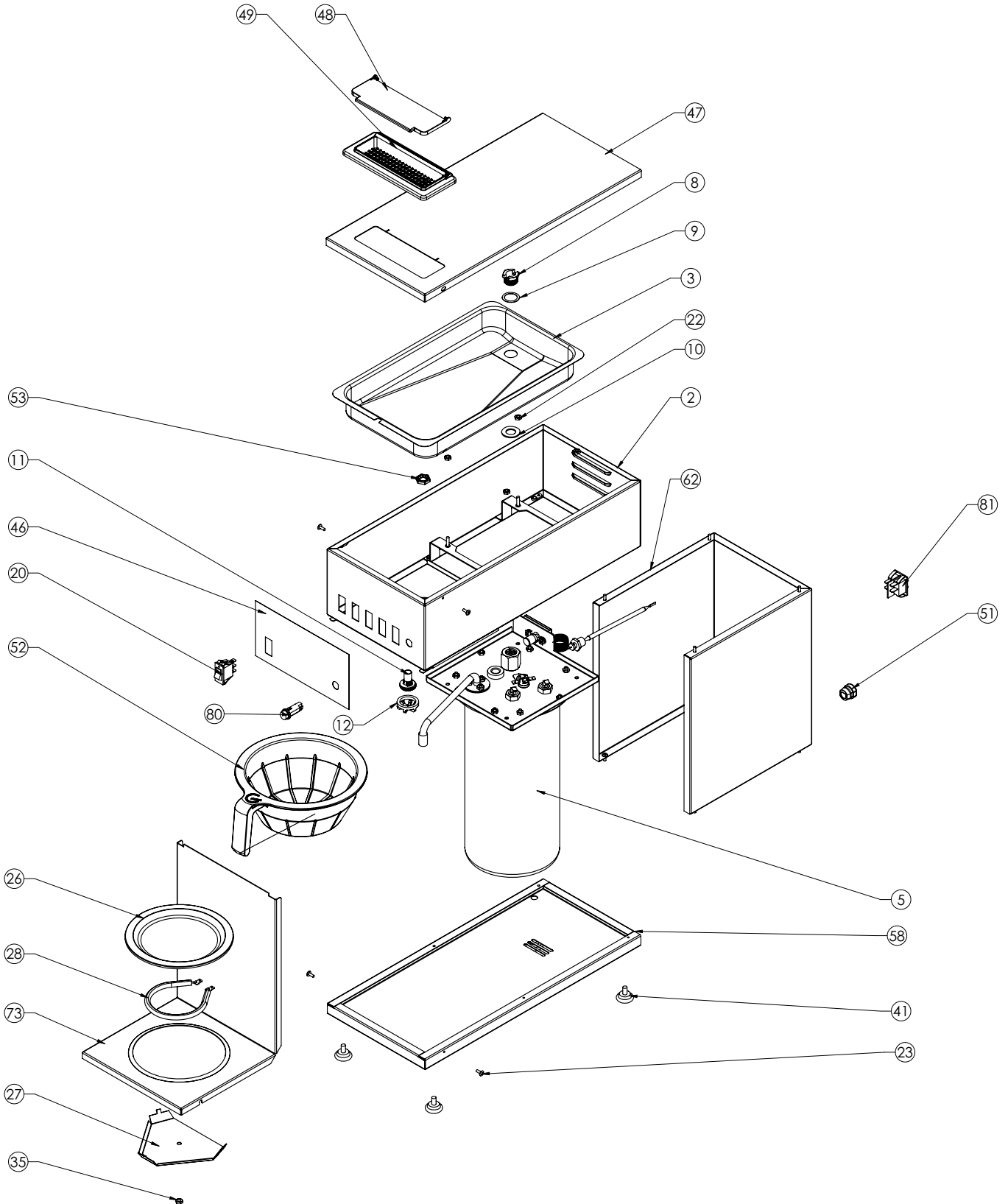
Refer to **Parts List** on page 16



Parts Diagram and List (continued)

CPO-1P and CPO-1P-E

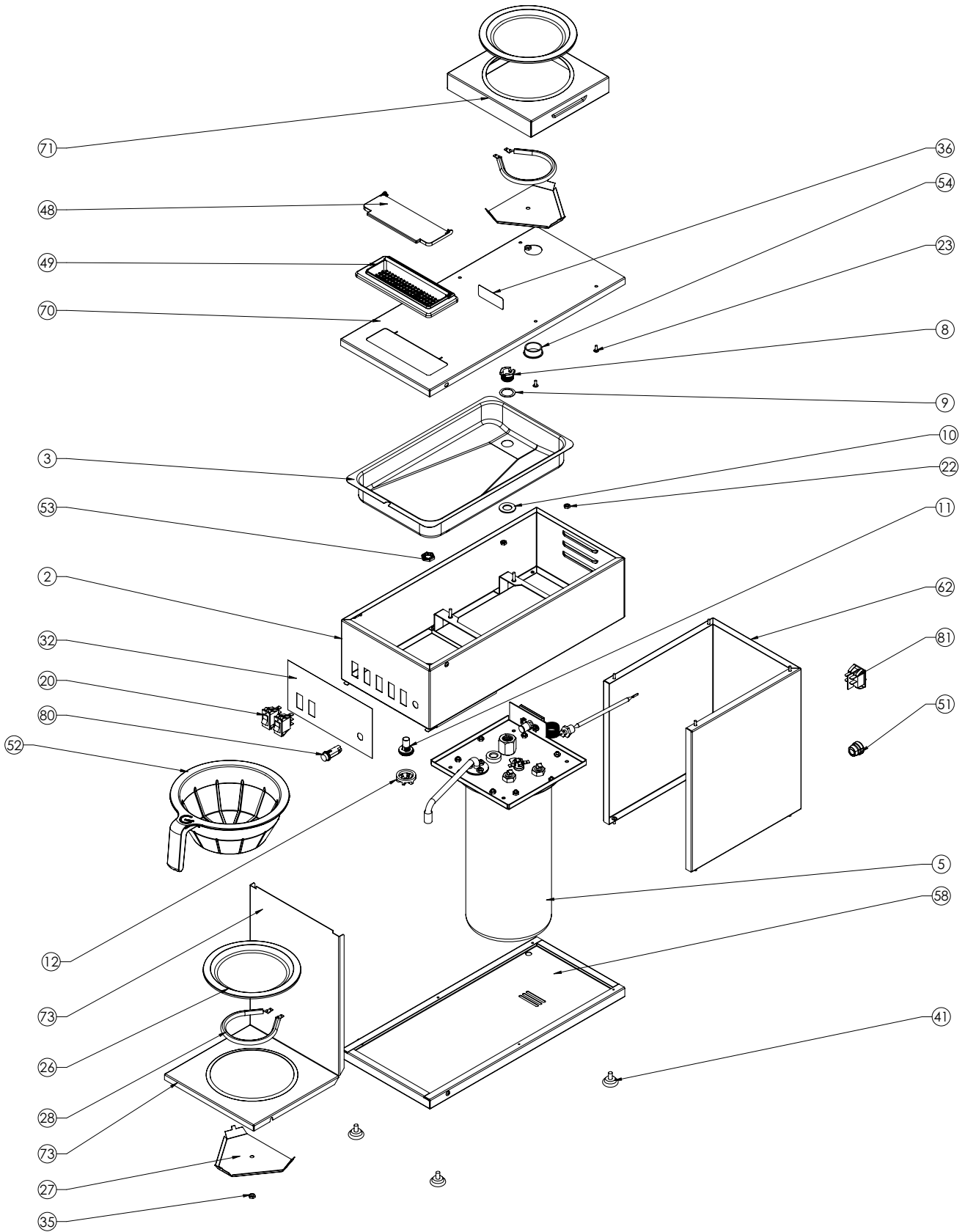
Refer to **Parts List** on page 16



Parts Diagrams and List (continued)

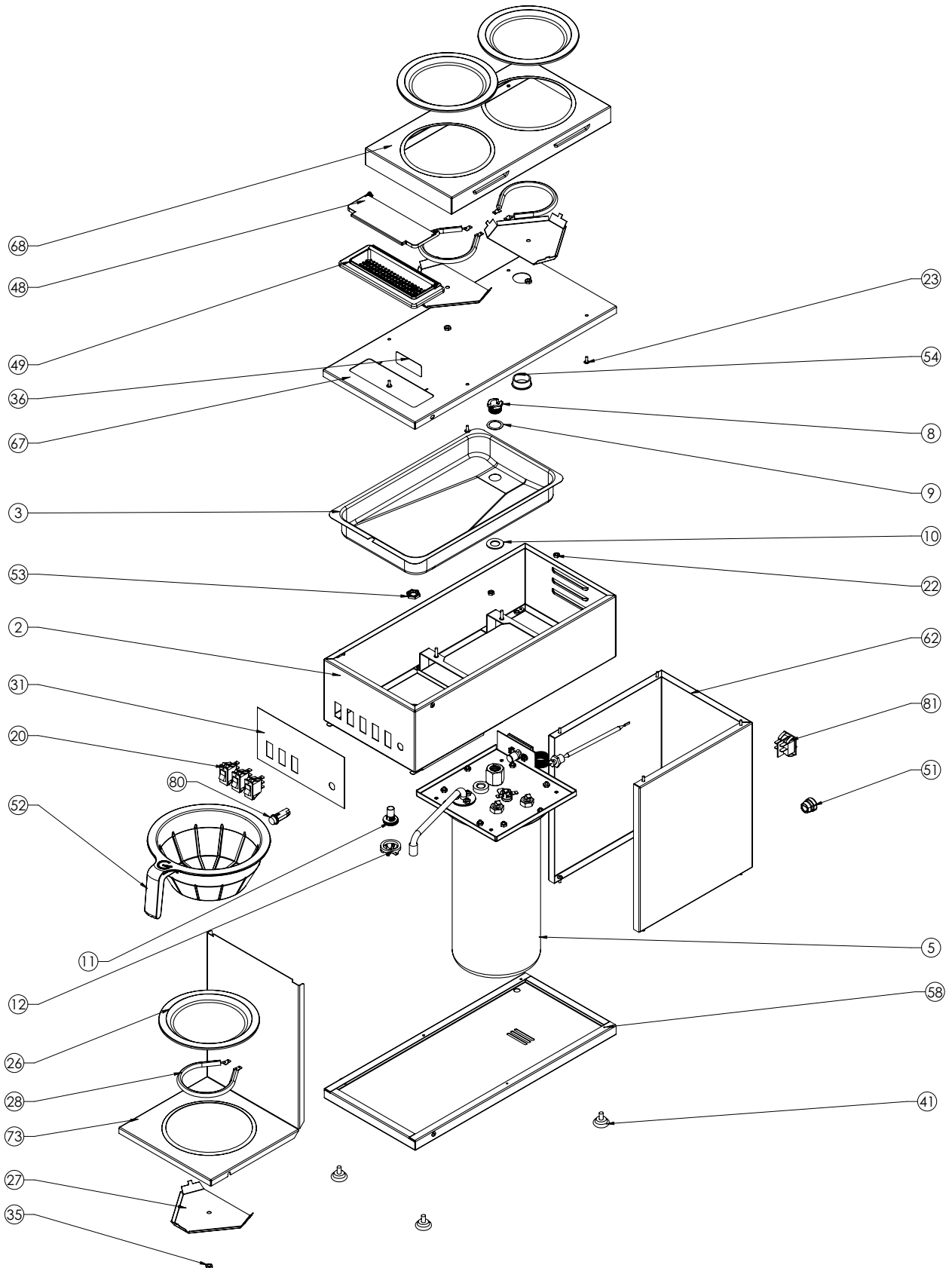
CPO-2P, CPO-2P-E, and CPO-2CP

Refer to **Parts List** on page 16



Parts Diagrams and List (continued)

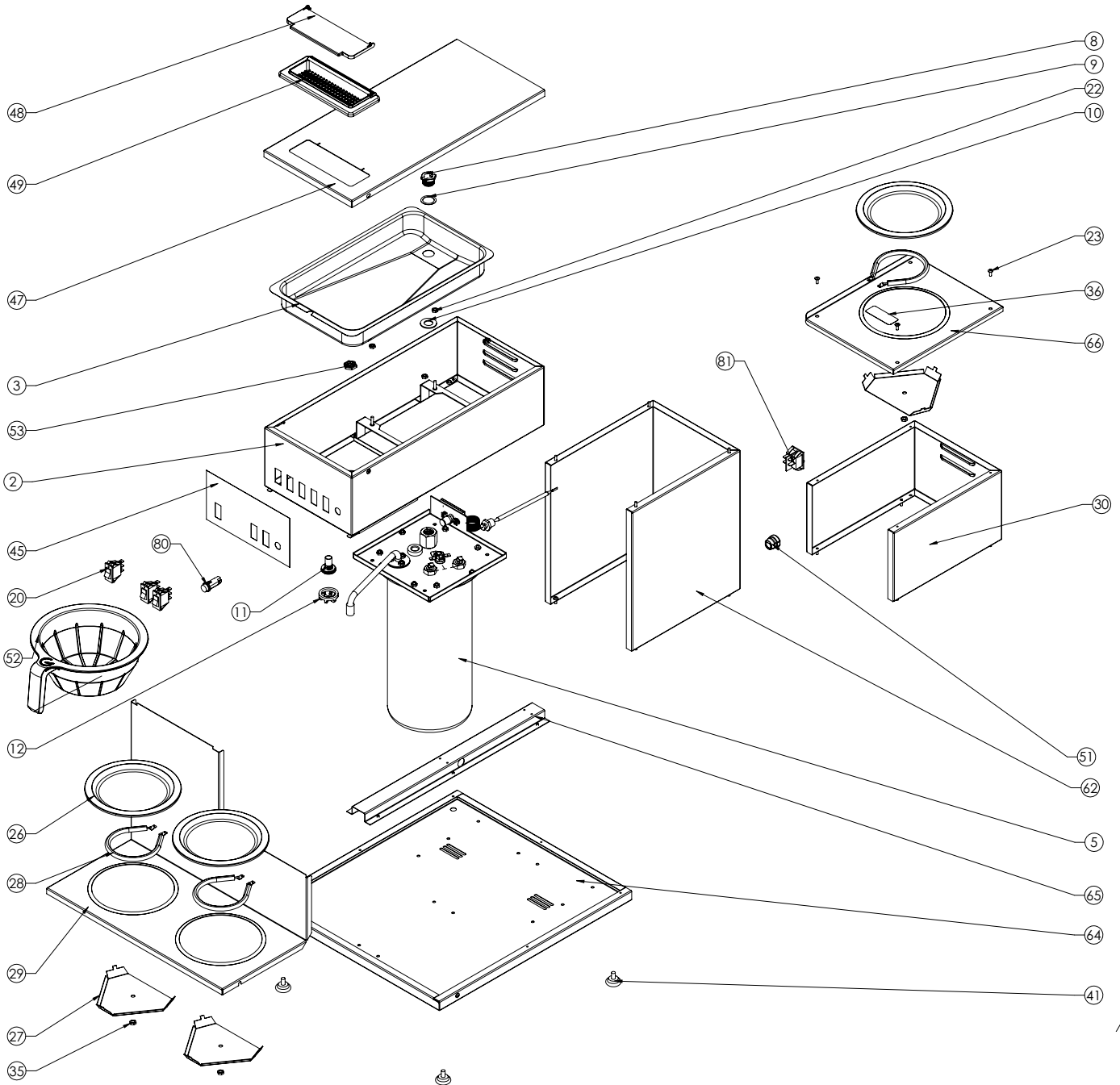
CPO-3P, CPO-3P-E and CPO-3CP,
 Refer to **Parts List** on page 16



Parts Diagrams and List (continued)

CPO-3RP, CPO-3RP-E, and CPO-3RCP

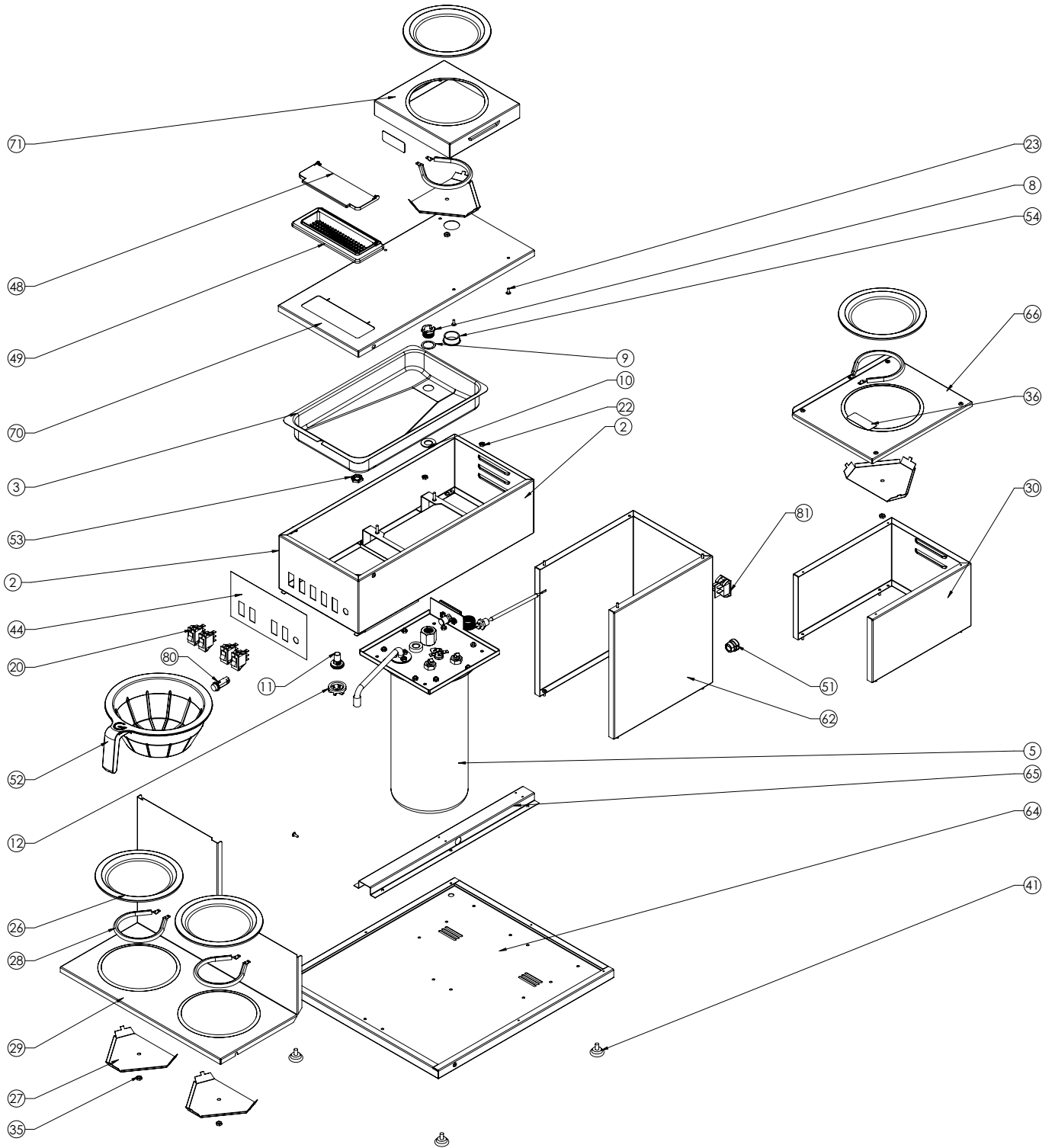
Refer to **Parts List** on page 16



Parts Diagrams and List (continued)

CPO-4RP and CPO-4RP-E

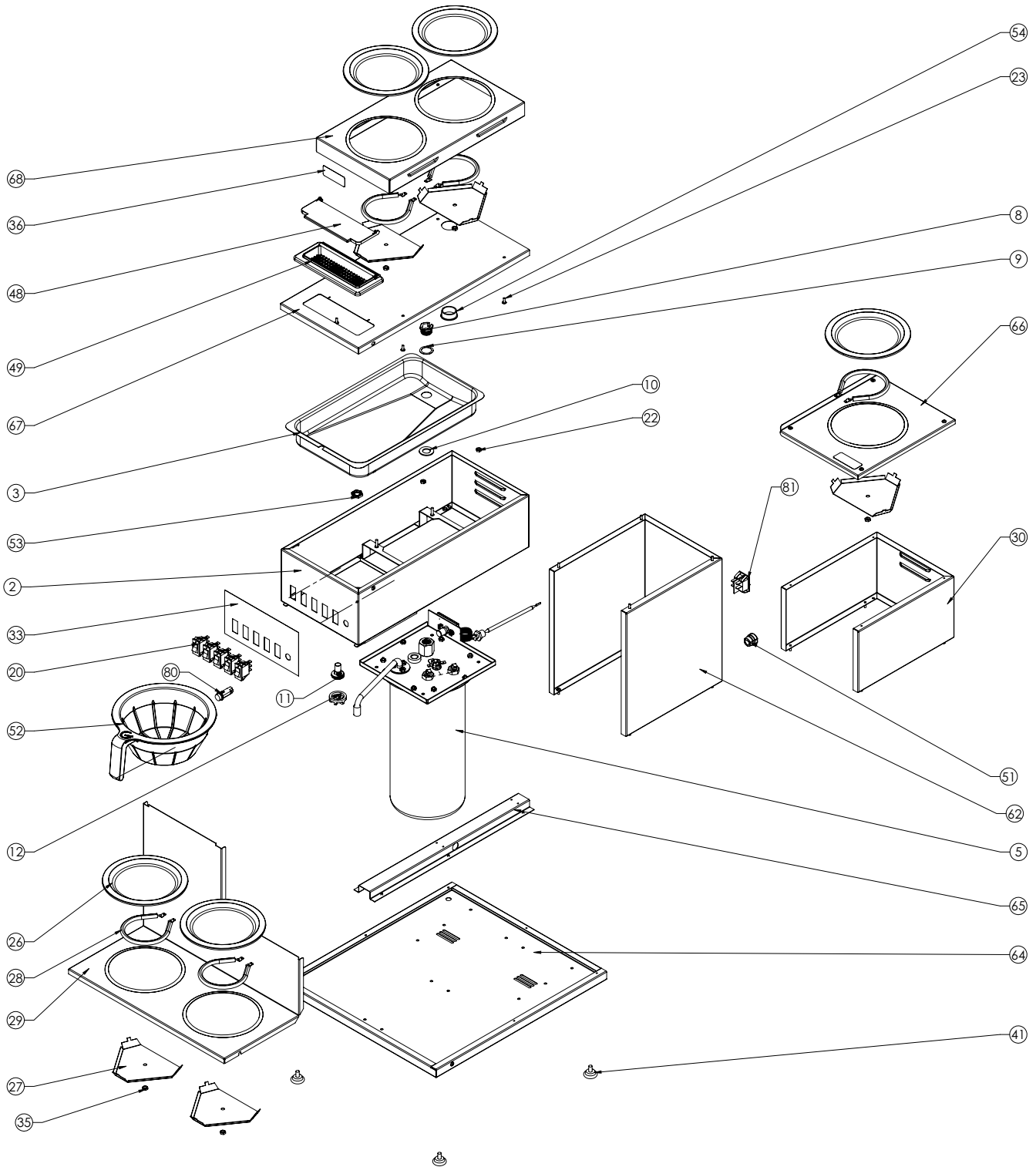
Refer to **Parts List** on page 16



Parts Diagrams and List (continued)

CPO-5P and CPO-5P-E

Refer to **Parts List** on page 16



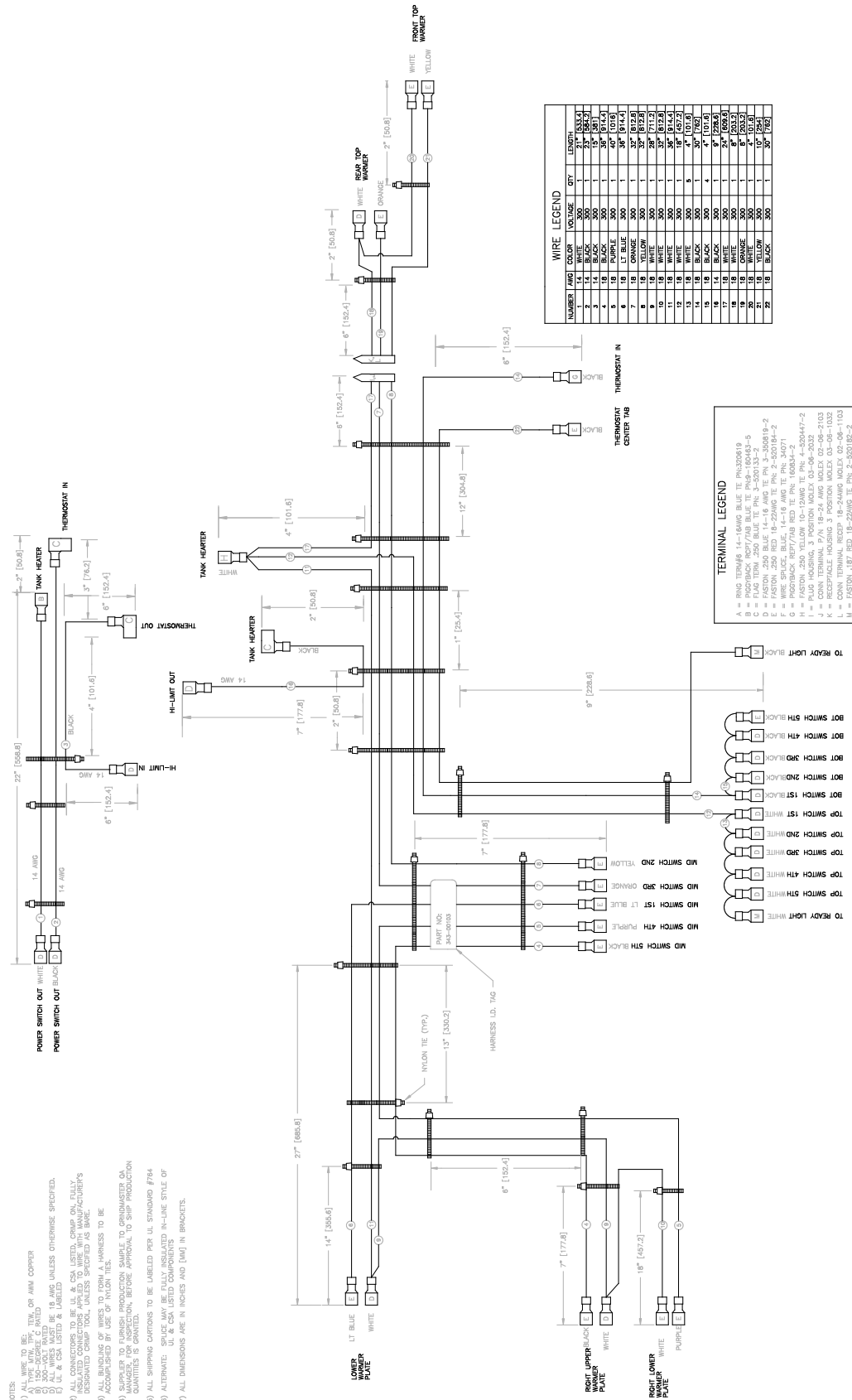
Parts Diagrams and List (continued)

Parts List

ITEM NO.	PART NO.	DESCRIPTION	ITEM NO.	PART NO.	DESCRIPTION
2	200-00171	POUROVER TOP WELDMENT	38	A320-143	AIR POT STOPPER
3	200-00281	POUROVER PAN CPO	40	A71907	PANEL, BASE B-SGP
4	200-00150	BREWER WATER OUTLET PIPE	41	80415	LEG, ADJ NONSKID LEVELER
5	200-00157	POUROVER TANK WELDED	43	380-00225	FRONT LABEL CPO-SAP
6	200-00154	TANK COVER POUROVER ONLY WELD	44	380-00223	FRONT LABEL CPO-4R
7*	70821	GASKET, WATER TANK	45	380-00222	FRONT LABEL CPO-3R
8*	73008	NUT SLOTTED HEX	46	380-00219	FRONT LABEL CPO-1
9*	73009	WASHER 1"OD 3/4"ID SS	47	200-00298	LID CPO-1, CPO-3R Weld
10*	73007	GASKET 1.062OD 0.578ID	48	210-00294	LID PLASTIC POUR-OVER
11*	06490	NOZZLE, SPRAY HEAD	49	210-00295	MOUNT LID PLASTIC POUR-OVER
12*	06491	DEFLECTOR, SPRAY	50	73256	SCR M4-0.7X8 PH TH SS
13*	290-00028	BREW WATER OUTLET GASKET	51	61479	STRAIN RELIEF HEYCO
14*	321-00020	THERMOSTAT, 98C-CPO	52*	71952	BASKET, BREW, MOLDED
15* (120V)	70818	ELEMENT, HEATING 1400W	53*	07220	NUT, 1/2-20 HX PL
15* (240V)	70820	ELEMENT, HEATING 2500W	54	71620	BUSHING, HOLE 1-3/32DIA A511008
16*	M461A	SEAL SILICONE 12MM - GB/QB	58	71593	PANEL, BASE B-3,B-SAP
17*	M197A	WASHER RED SILICONE (D042A)	59	200-00599	PANEL, CENTER, CPO-SAP
18	M245AL	KNOB BLACK (L681A)	60	A71946	PANEL FRONT WRAP B-SAP
19	P033AL	NUT, #10-32 X .375 X .130 HX SS	61	07026-07	SCREW, 8-32x3/8 PH PN HD 18-8 S/S
20*	73059	SWITCH, WARMER, LIGHTED	62	200-00598	PANEL, CENTER CPO
21* (120V)	L573AL	HI LIMIT SWITCH	64	A71599	PANEL, BASE B-3W
21* (240V)	A536-023	HI LIMIT SWITCH	65	A71600	BRACKET, STIFFENER B-3W
22	73261	NUT #8-32 HX SS	66	A71609	PANEL, SIDE WARMER TOP B-3W
23	P184AL	SCREW,6-32X3/8,SS PH TR HD	67	200-00297	LID CPO-3, CPO-5R weld
24	07206-05	NUT 1/2"-20 HX JAM	68	71608	PANEL, 2-WARMER B-3
25*	71155	TUBING, 5/16IDX3/32WL SILICONE	70	200-00296	LID CPO-2, CPO-4 weld
26*	71577	PLATE, WARMER, 1-STUD	71	200-00173	PANEL, 1 WARMER
27*	71592	BRACKET, WARMER B-3	73	71602	PANEL, FRONT WRAPPER B-3
28* (120V)	13029	HEATER, WARMER 120V	74	380-00173	DECAL, CAUTION HOT LIQUID
28* (240V)	A535-028	HEATER, WARMER 100W 240V	75	343-00103	HARNESS, CPO-SERIES
29	71603	PANEL, FRONT WRAPPER,B-3WR	76*	343-00104	POWER CORD 15A (120V)
30	71601	PANEL, COLLAR,B-SAP,B-3W	77*	343-00105	POWER CORD 14/3 W/NEMA 20A (120V)
31	380-00221	FRONT LABEL CPO-3	76*/77*	61453	POWER CORD (240V)
32	380-00220	FRONT LABEL CPO-2	78	354-00006	HEYCO BUSHING, 0.562 HOLE
33	380-00224	FRONT LABEL CPO-5R	79	73096	PROBE CLIP ASSEMBLY
35	70322	NUT, 10-32 KEPS SS	80*	345-00024	GREEN READY LIGHT
36	380-00171	DECAL, CAUTION WARMER	81*	70449	SWITCH, MAIN POWER
37	380-00172	DECAL, WARNING DISCONNECT POWER			
					* available for order as replacement part

Wiring Diagram

Wiring Diagram



GMCW

4003 Collins Lane, Louisville, KY 40245 USA
Phone: 502.425.4776 Toll Free: 800.695.4500
Fax: 502.425.4664
Web: gmcw.com Email: info@gmcw.com

©2015 GMCW
Printed in USA



0715 Form # BW-328-01
Part # 390-00038