

Parts Catalog



SP62P

Mixer

Model: SP62P

10/02/19 Rev. D

IMPORTANT!

TO EXPEDITE SHIPMENT OF PARTS, ALWAYS SPECIFY MODEL, REV,
PART NUMBER, AND SERIAL NUMBER OF UNIT.

GLOBE FOOD EQUIPMENT COMPANY

2215 East River Road
Dayton, Ohio 45439

Parts Department

Toll Free 1-800-745-6238 · Fax (937) 290-0585

E-Mail: info@globefoodequip.com

Website: www.globefoodequip.com

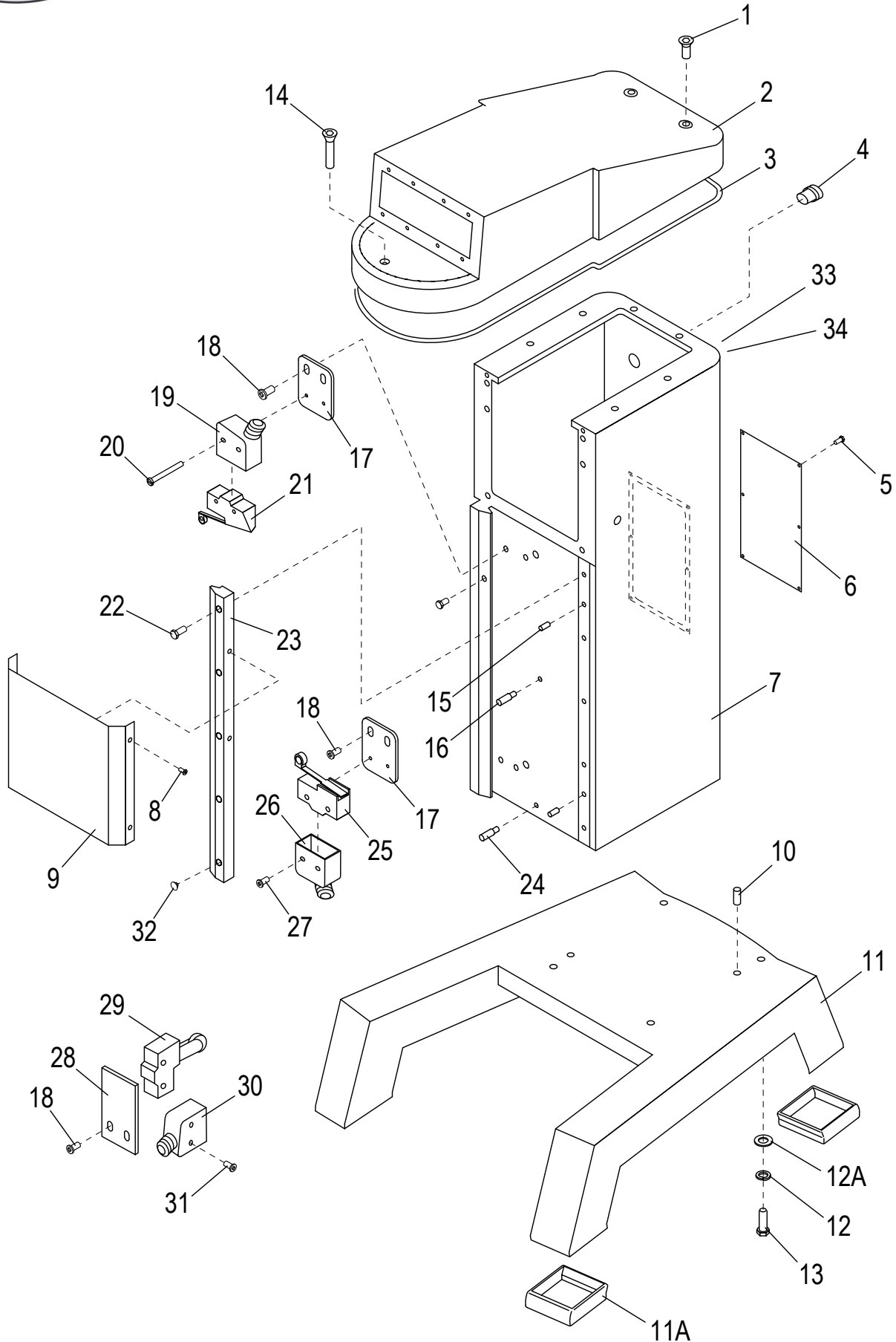
Not for resale

Table of Contents

Description	Page
SP62P Mixer Base Components	4
SP62P Head and Hub Assembly Components	6
SP62P Power Lift Cradle Assembly Components	10
SP62P Gearbox Components	12
SP62P Gear Shift Assembly Components	14
SP62P Power Lift Control Assembly Components	16
SP62P Planetary Motor Components	20
SP62P Planetary Components	22
SP62P Electrical Schematic, 220V Mixer - 1 Phase	26
SP62P Wiring Diagram, 220V Mixer - 1 Phase	27
SP62P Wiring Diagram, Power Lift Mixer - 230_400V, 3 Phase	28
SP62P Electrical Schematic, Power Lift Mixer - 230_400V, 3 Phase	29
SP62P Wiring Diagram, Power Lift Mixer - Digital Controls, 1 Phase	30
SP62P Wiring Diagram, Power Lift Mixer - Digital Controls, 3 Phase	31



SP62P Mixer Base Components



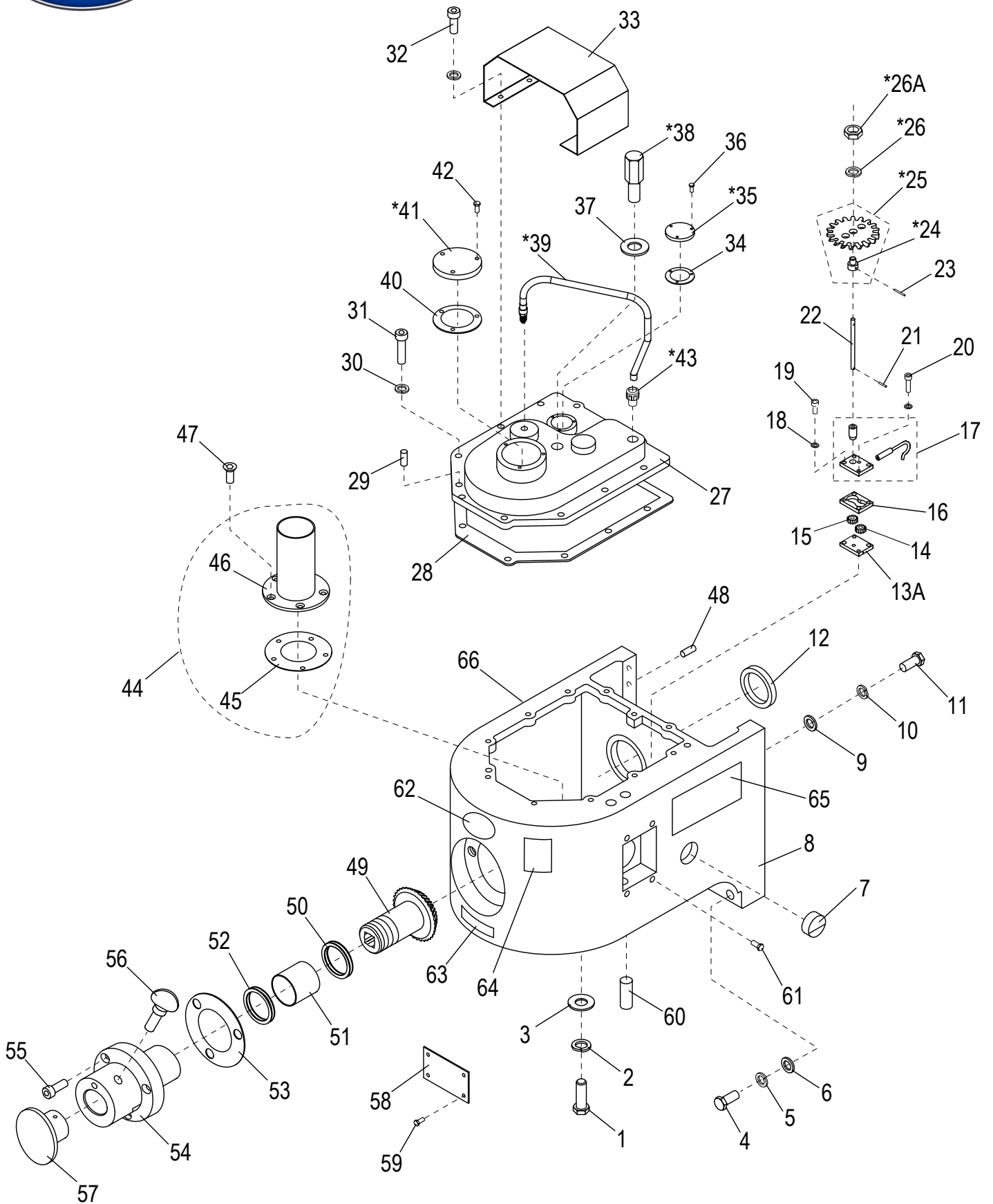


SP62P Mixer Base Components

Item	Part Number	Description	Qty	Serial Number
1	X80A01	Screw M8x85mm Flat Hd	2	
2	X62A02-DG	Cover, Transmission Case	1	
3	X62A03	Gasket	1	
4	X80A04	Strain Relief	1	
5	X80A05	Screw M5x12mm Truss Hd	6	
6	X80A06	Plate, Rear Column	1	
7		Mixer Column	1	
8	X80A08	Thumbscrew M5x12mm	4	
9	X80A09	Cover, Column Front	1	
10	X80A10	Dowel Pin Ø10x34mm	2	
11	X62A11-DG	Mixer Base	1	
11A	X80A11-1	Rubber Feet Set (Front/Rear)	1	
12	X80A12	Washer M14 Split Lock	4	
12A		Washer M14, Flat	4	
13	X80A13	Screw M14x50mm Hex Hd	4	
14	X80A14	Screw M8x85mm Flat Hd	1	
15	X80A15	Dowel Pin Ø10x33mm	2	
16	X80A16	Dowel Pin, Threaded	1	
17	X30216	Bracket, Microswitch Mounting	2	
18	X80A18	Screw M5x12mm Truss Hd	6	
19	X80E17	Microswitch Cover	1	
20	X80A20	Screw M4x45mm Hex Hd & Flat Washer	2	
21	X30219	Microswitch, Bowl Lift	1	
22	X80A22	Screw M12x25mm Hex Hd & Flat Washer	5	
23	X62A23	Slide, Front Bowl (Cast Iron)	1	
23	X62A23-1	Slide, Left, Front Bowl (Metal Sheet)	1	7810150 ->
24	X80A24	Dowel Pin, Threaded	1	
25	X62A35	Microswitch	1	
26	X80A19	Housing, Microswitch	1	
27	X80A37	Screw M4x25mm Pan Hd & Flat Washer	2	
28	X80A40	Plate, Microswitch Mounting	1	
29	X62A38	Microswitch	1	
30	X80A41	Housing, Microswitch	1	
31		Screw M5x25mm Pan Hd & Flat Washer	2	
32		Plug, Plastic	5	
33	X91014	Label, Hazardous Voltage	1	
34	X91011	Label, Caution - 3 Phase	1	



SP62P Head and Hub Assembly Components



Part Configuration may vary.



SP62P Head and Hub Assembly Components

Item	Part Number	Description	Qty	Serial Number
1	X80B01	Screw M10x15mm Hex Hd	1	
2	X80B02	Washer M10 Split Lock	1	
3	X80B03	Washer M10 Flat	1	
4	X80B04	Ext. Hex Hd Screw M12-1.75x40mm, B.O.	2	
5	X80B05	Lock Washer M12, ID-12.7, OD-21.1, TH-2.5mm, SS	2	
6	X80B06	Washer M12 Flat	2	
7	X80B07	Gauge, Oil Level	1	
8	X80B08	Transmission Case	1	
8	X80B08-1	Transmission Case, Removable Bowl Guard	1	
9	X80B09	Washer M12 Flat	6	
10	X80B10	Washer M12 Split Lock	6	
11	X80B11	Screw M12x60mm Hex Hd	6	
12	X80B12	Oil Seal TC50x80x10	1	
13	X80B13-27	Oil Pump Assembly	1	
13A		Plate, Oil Pump - Bottom	1	
14		Gear, Oil Pump, Right (15T)	1	
15		Gear, Oil Pump, Left (15T)	1	
16		Gear Set Pump	1	
17	X80B17-19	Housing & Tube Assy	1	
17		Pump Outlet Bronze Pipe	1	
17		Pump Shaft Bushing	1	
18	X80B26	Washer M5 Split Lock	4	
19	X80B27	Screw M5x15mm Socket Hd	2	
20		Screw M5x25mm Socket Hd	2	
21		Roll Pin Ø2x10mm	1	
22		Shaft, Oil Pump	1	
23		Roll Pin Ø2x18mm	1	
24		Conveying Gear Bushing (Ref)	1	
25		Conveying Gear Assembly (29T)	1	
26		Washer M12 Split Lock	1	
26A		Jam Nut M12	1	
27	X80B25	Cover, Transmission Case	1	
28	X80B40	Gasket, Transmission Cover	1	
29	X80B39	Dowel Pin, Threaded	2	
30	X30198	Lock Washer M8, ID-8.5mm, OD-12.7mm, TH-2mm	11	
31	X30197	Ext. Hex Hd Screw M8-1.25x25mm, SS	9	
32	X30099	Socket Hd Cap Screw M8-1.25x35mm, B. O.	2	
33	X80B33	Top Cover	1	
34	X80B28	Gasket, Transmission Shaft Bearing Retainer	1	
35	X80B29	Bearing Retainer, Transmission Shaft	1	
36	X80B30	Screw M5x15mm Hex Hd	3	
37	X80B31	Washer M20 Flat	1	
38	X80B32	Oil Fill Plug (Screw M20x40mm Hex Hd)	1	
39	X00703	Hose Assembly	1	
39		Hose Fitting	1	
39		Hose Clamp	1	
40	X80B36	Gasket, Drive Shaft Bearing Retainer	1	
41	X80B35	Bearing Retainer, Drive Shaft	1	
42	X80B34	Screw M4x14mm Truss Hd	3	
43	X00704	Oil Fill Fitting	1	
44	X80B42-43	Oil Tube & Gasket Assembly	1	
45		Gasket, Lube Overflow Cylinder	1	
46		Lube Overflow Cylinder	1	



SP62P Head and Hub Assembly Components

Item	Part Number	Description	Qty	Serial Number
47	X80B41	Screw M6x15mm Flat Hd	5	
48	X80B56	Dowel Pin Ø10x20mm	2	
49	X80B44	Level Drive Gear (16T)	1	
50	X30018-1	Thrust Washer ID-35mm, OD-55mm, TH-1mm (As Req.)	0	
51	X10075	Bearing	2	
52	X10089	Oil 45x35x8mm Seal	1	
53	X80B48	Gasket, Attachment Hub	1	
54	X80B50-DG	Hub, Attachment	1	
55	X80B52	Socket Hd Cap Screw M6-1.0x20mm, B.O.	3	
56	X10005	Thumb Screw 1/2-13x3/4"	1	
57	X80B51	Hole Plug, Attachment	1	
58	X80B53	Cover Plate, Transmission	1	
59	X80B54	Screw M5x10mm Hex Hd	4	
60	X80B55	Dowel Pin	1	
61	X80E09	Screw M8x25mm Socket Hd	4	
62	871-3	Label, Globe Logo	1	
63	X91012	Label, Arrow	1	
64	X91010	Label, Stop To Chg Gears	1	
65	X91015	Label, Warning	1	
66	X91007-F	Label, Warning, French (Canada Only)	1	



INTENTIONALLY LEFT BLANK PAGE

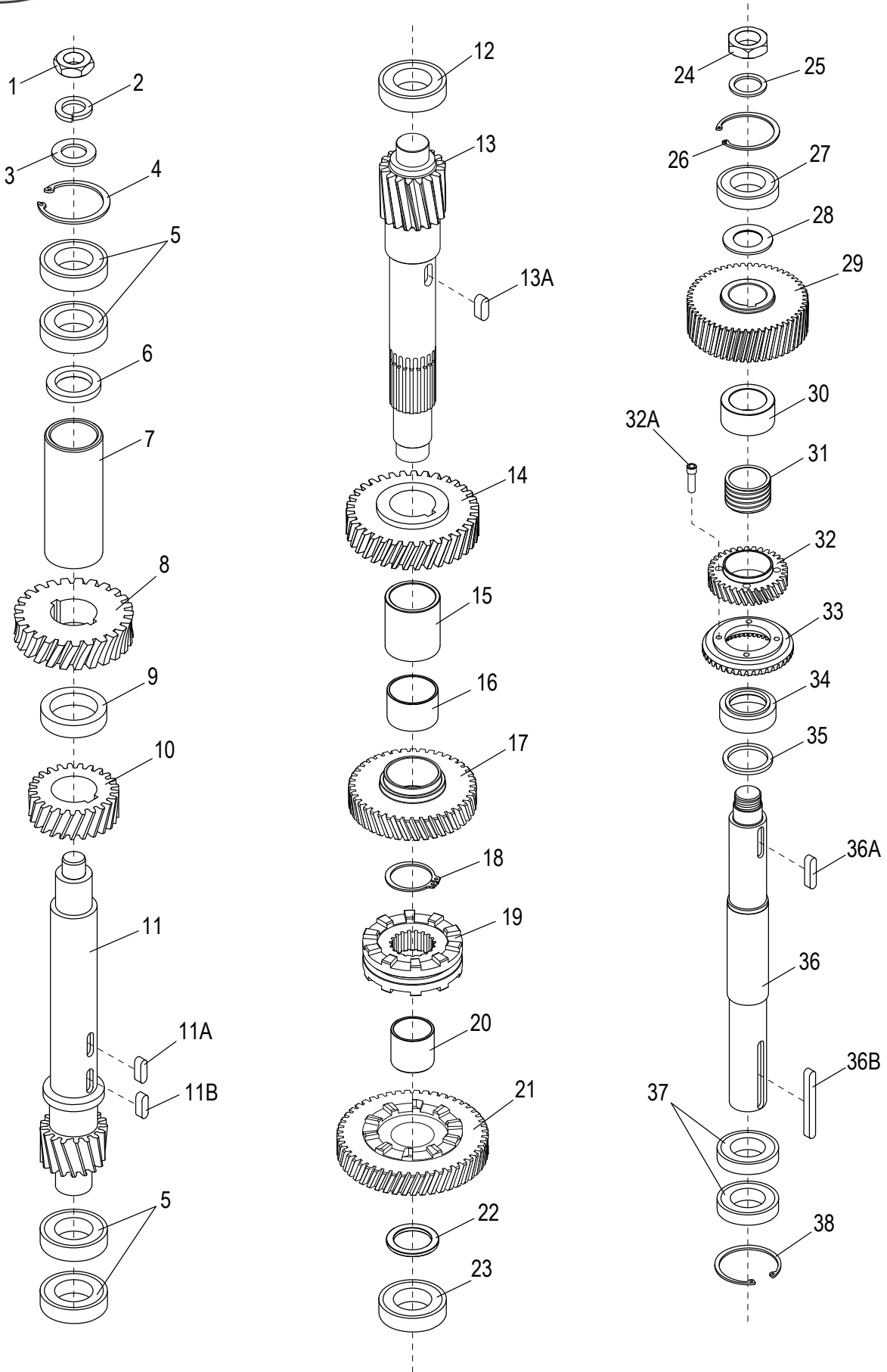


SP62P Power Lift Cradle Assembly Components

Item	Part Number	Description	Qty	Serial Number
1	X62C12	Bowl Cradle	1	
1A		Set Screw M12x80mm Socket Hd - Cup Pt.	1	
1B		Nut M12 Hex	1	
1C		Set Screw M6x40mm Socket Hd - Cup Pt	1	
1D		Nut M6 Hex	1	
2	X80C13	Bowl Locating Assembly	1	
3		Screw M10	1	
3A	X80C11	Washer M12 Split Lock	1	
3B	X80C10	Nut M12 Acorn	1	
3C		Screw Cover	2	
4	X80C14	Dowel Pin, Threaded	2	
5	X80C09	Screw, Bowl Clamp - Rear	2	
5A	X80C07	Bushing, Bronze - Rear Clamp	2	
6	X80C05	Bowl Clamp Assembly (Set/2)	2	
6A		Screw, Bowl Clamp - Front	2	
6B	X80C05-1	Bowl Clamp (Set/2)	2	
6C		Bushing, Bronze - Front	2	
6D		Hardware Cap	4	
6E		Spring	4	
6F		Washer M12 Flat	4	
6G		Washer M12 Split Lock	4	
6H		Nut M12 Jam	4	
6J		Hardware Cap	4	
7	X80C17	Front Cover, Bowl Cradle	1	
7A	X80C18	Screw M5x10mm Hex Hd	4	
8	X80C16	Locking Bracket	1	
8A	X80C15	Screw M8x35mm Socket Hd & Lock Washer	2	
9	X80C19-24	Bowl Raise Screw Assembly	1	
9A		Bowl Raise Screw	1	
9B		Shaft 6x6x25mm Key	2	
10		Nut Block	1	
10A		Roller Ball Ø5 SS	1	
10B		Spring	1	
10C		Set Screw M6x5mm Socket Hd - Cup Pt.	1	
11		Nut Mounting Plate	1	
11A		Washer M10 Split Lock	1	
11B		Screw M10x20mm Socket Hd	1	
12	X08114	Ball Bearing	1	
13	X80C26	Retaining Ring RTW40	1	
14	X80H48	Chain Gear (16T)	1	
14A	X80H49	Washer M16 Split Lock	1	
14B	X80C30	Nut M16 Hex	1	
15	X00705	Motor, 1/8Hp 220V 50/60Hz 1Ph	1	->7750055
15	X80H56	Motor, 1/8Hp 220V 50/60Hz 3Ph	1	->7750043
15	XA-8038-1	Motor, Metal Plate, 220/380V/60Hz/1Ph	1	7710055 ->
15	XA-8038-3	Motor, Metal Plate, 220/380V/60Hz/3Ph	1	7750043 ->
16	X80H53	Chain Gear (11T)	1	
16A	X80H52	Washer M6 Flat	1	
16B	X80H51	Washer M6 Split Lock	1	
16C	X80H50	Screw M6x16mm Hex Hd	1	
17	X80H54	Drive Chain	1	



SP62P Gearbox Components



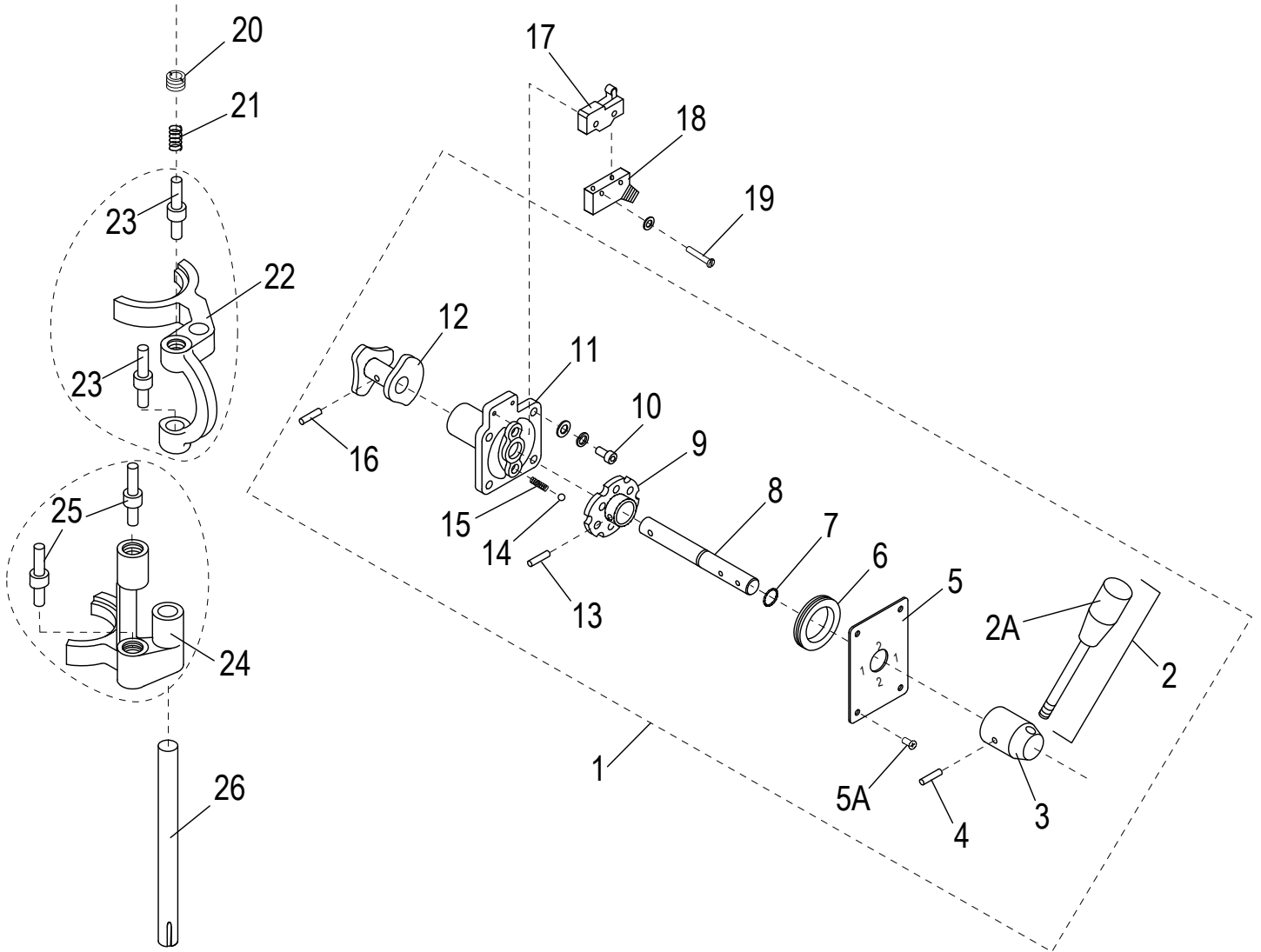


SP62P Gearbox Components

Item	Part Number	Description	Qty	Serial Number
1	X80D34	Nut M16 Jam	1	
2	X80D35	Washer M16 Split Lock	1	
3		Washer, Flat M16	1	
4	X80D36	Retaining Ring RTW-47	1	
5	X80D37	Ball Bearing	4	
6	X80D38	Spacer	1	
7	X80D38-1	Sleeve	1	
8	X80D39G03	Gear & Drive Set 50Hz	Incl. w/Worm Drive	1
8	X80D39G03-1	Gear & Drive Set 60Hz	Incl. w/Worm Drive	1
8	X00678	Worm Gear (28T) (60Hz Mixer)	Incl. w/Worm Drive	1 7710999 or 7750987 ->
9	X80D40	Bronze Bushing	1	
10	X80D41	Transmission Gear (25T)	1	
11	X80D42	Transmission Shaft (17T)	1	
11A	X80D43	Shaft Key 6x6x18mm	1	
11B	X80D44	Shaft Key 8x8x20mm	1	
12	X10102	Ball Bearing	1	
13	X62D67	Shaft, Master Gear (17T)	1	
13	X80D67-1	Shaft, Master Gear (20T)	1 Phase or 3 Phase	1 7710999 or 7750987 ->
13A	X62D60	Shaft Key 8X8X20mm	1	
14	X62D61	Gear, Master Shaft(35T)	1	
15	X62D68	Bronze Bushing	1	
16	X80D27	Bronze Bushing (Rear)	1	
17	X80D26	Master Shaft Gear (41T)	1	
18	X80D22	Retaining Ring STW-35	1	
19	X80D21	Clutch Sleeve	1	
20		Bronze Bushing	1	
21	X80D31	Gear and Bushing	1	
22	X80D32	Spacer 29x40x3mm	1	
23	X10102	Ball Bearing	1	
24	X80D16	Jam Nut M32	1	
25	X80D15	Washer M32 Flat	1	
26	X80D14	Retaining Ring RTW-72	1	
27	X30125	Ball Bearing	1	
28	X62D58	Bronze Bushing	1	
29	X62D69	Gear, Drive Shaft (53T)	1	
29	X80D69-1	Gear, Drive Shaft (52T)	1 Phase or 3 Phase	1 7710999 or 7750987 ->
30	X62D54	Spacer	1	
31	X62D53	Oil Bushing	1	
32	X62D52	Gear, Drive Shaft (33T)	1	
32A	X62D56	Screw M8x30mm Socket Hd - Mod	4	
33	X62D51	Gear, Drive Shaft (41T)	1	
34	X62D50	Oil Bushing Sleeve	1	
35	X62D02-2	Anti-Oil Bushing	1	
36	X62D48	Drive Shaft	1	
36A	X62D49	Shaft Key 10x10x45mm	1	
36B	X80D01	Shaft Key 10x10x100mm	1	
37	X80D46	Ball Bearing	2	
38	X80D47	Retaining Ring RTW-75	1	



SP62P Gear Shift Assembly Components



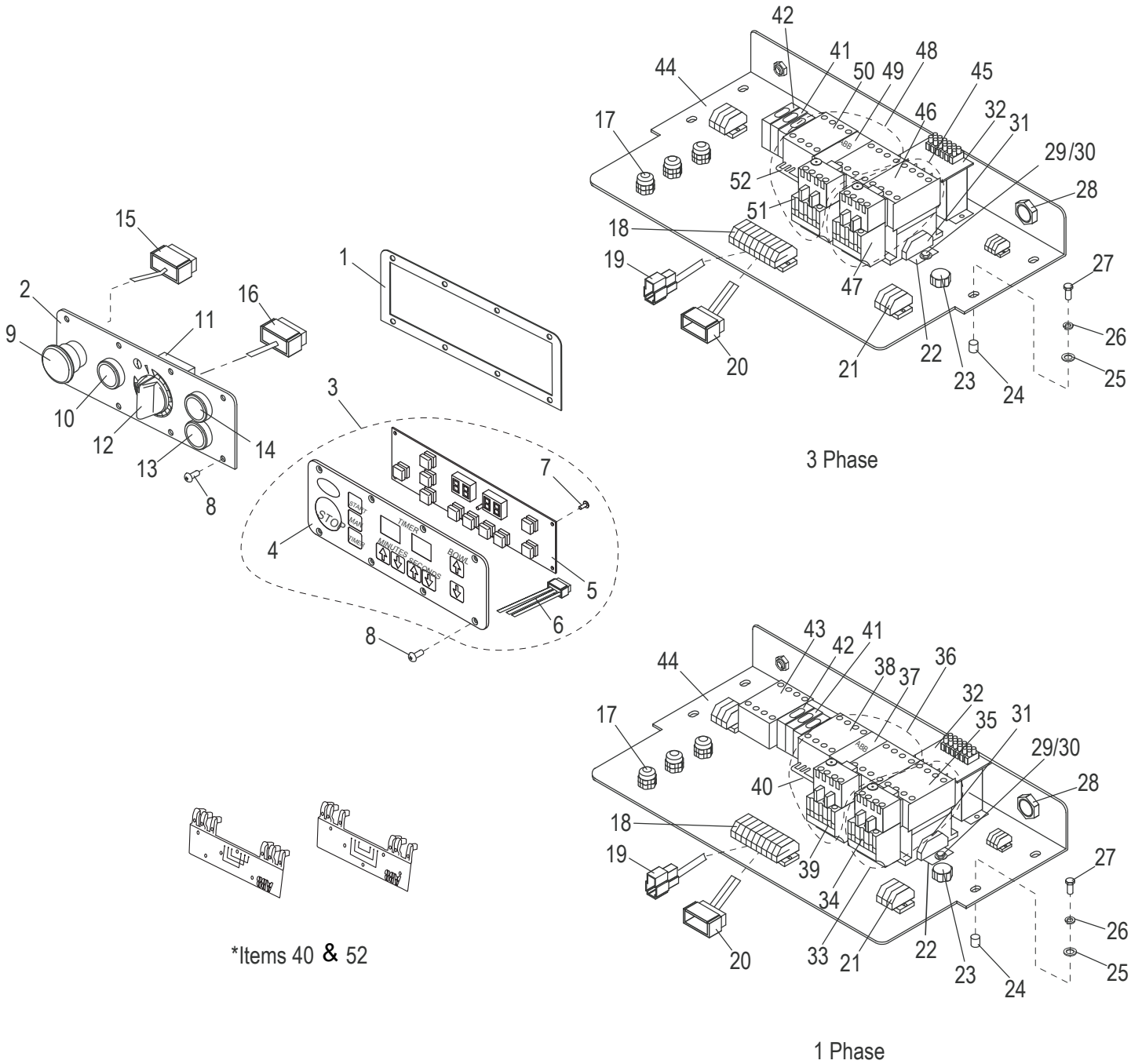


SP62P Gear Shift Assembly Components

Item	Part Number	Description	Qty	Serial Number
1	X02241	Gear Shift Assembly	1	
2	X80E01	Gear Shift Arm Assy (With Knob)	1	
2A	X80E01-1	Knob, Gear Shift	1	
3	X80E02	Gear Shift Arm Hub	1	
4	X80E03	Roll Pin Ø6 x 38mm	1	
5	X62E25	1-2 Speed Indication Plate	1	
5A		Screw M5x10mm Round Hd - SS	4	
6	X80E05	Oil Seal	1	
7	X80E06	O-Ring P11	1	
8		Shifter Guide Rod	1	
9		Hub & Cam Assy	1	
10	X80E09	Screw M8x25mm Socket Hd	4	
10A	X08102	Lock Washer M8 ID-8.5, OD-14.8, TH-2mm Zn	4	
10B	X08076	Flat Washer, M8 ID-8.4mm, OD-16mm, TH-1.6mm, Zn	4	
11		Shaft Cover	1	
12	X80E11	Gear Shift Cam Assy	1	
13	X80E12	Roll Pin Ø5 X 26mm	1	
14		Steel Ball Ø9mm	2	
15		Spring	2	
16	X80E15	Roll Pin Ø6 x 20mm	1	
17	X80E16	Microswitch	1	
18	X80E17	Microswitch Cover	1	
19	X80E18	Screw M4x24mm Pan Hd & Flat Washer	2	
20	X80E19	Nut M20	4	
21	X80E20	Spring	4	
22	X80E22	Speed Shifter Yoke (Top)	1	
23	X80E21	Touch Shaft	2	
24	X80E23	Speed Shifter Yoke (Rear)	1	
25	X80E21	Touch Shaft	2	
26	X80E24	Shifter Guide Rod	1	



SP62PE Power Lift Control Assembly Components





SP62PE Power Lift Control Assembly Components

Item	Part Number	Description	Qty	Serial Number
1	X80J01	Gasket	1	
2	X80J02	Control Panel	1	
3	X80J02-1	Control Panel, Digital - Upgrade Kit	1	
4	X02068	Control Panel, Digital	1	7710061 ->
5	X00679	Circuit Board	1	7710061 ->
6		Wiring	1	
7		Screw M3 x 10mm Circuit Board Mounting	5	
8	X30204	Screw M4x10mm Truss Hd	8	
9	X80J03	Stop Button	1	
10	X80J04	Start Button	1	
11	X10137	Timer Assembly With Knob	1	
12	X101037-1	Timer Knob	1	
13	X80J26	Bowl Raise/Lower Button	1	
14	X80J26	Bowl Raise/Lower Button	1	
15	X80J24	Connector	1	
16	X80J25	Connector	1	
17	X80J07	Support Tube	4	
18	X80J08	Connecting Block	1	
19	X80J09	Connector	1	
20	X80J10	Connector	1	
21	X80J11	Terminal Block	1	
22		Contactors Mounting Plate	1	
23	X80J12	Support Tube	1	
24	X80J13	Socket	4	
25	X80J14	Washer M6 Flat	4	
26	X80J15	Washer M6 Split Lock	4	
27	X80J16	Screw M6x20mm Hex Hd	4	
28	X80J18	Support Tube	1	
29		Screw M3x16mm Round Hd	2	
30		Washer M3 Flat	2	
31		Contactors Locking Caps	2	
32	X80J19	Transformer, 24V (220V Mixer)	1	
32		Transformer, 24V (380V Mixer)	1	380V Square D Transformer
33	X02061	Main Contactor/Relay Kit	1 Phase	1
34	X02055	Overload Relay	1 Phase	1
35	X02058	Contactors	1 Phase	1
36	X02062	Lift Motor Contactor/Relay Kit	1 Phase	1
37	X01942	Bridge, Contactor (ABB)	1 Phase	1
38	X01945	Contactors (ABB)	1 Phase	2
39	X02056	Overload Relay	1 Phase	1
40	X01943	Connectors, Contactor (ABB)	1 Phase	1
41	X80J23	Fuse Fixture	1 Phase	3
42	X80J22B	Fuse (250 Volt/1A)		1
42	X80J22A	Fuse, 250V 500Ma		2
43	X02059	Contactors	1 Phase	1
44	X80J20	Electronics Mtg Plate		1
45	X02063	Main Contactor/Relay Kit		1
46	X02060	Contactors		1
47	X30154PABB	Overload Relay, 3PH	3 Phase	1
48	X02064	Lift Motor Contactor/Relay Kit	3 Phase	1
49	X01942	Bridge, Contactor (ABB)	3 Phase	1
50	X01945	Contactors (ABB)	3 Phase	2
51	X80J30	Bowl Lift Motor Overload Relay	3 Phase	1



SP62PE Power Lift Control Assembly Components

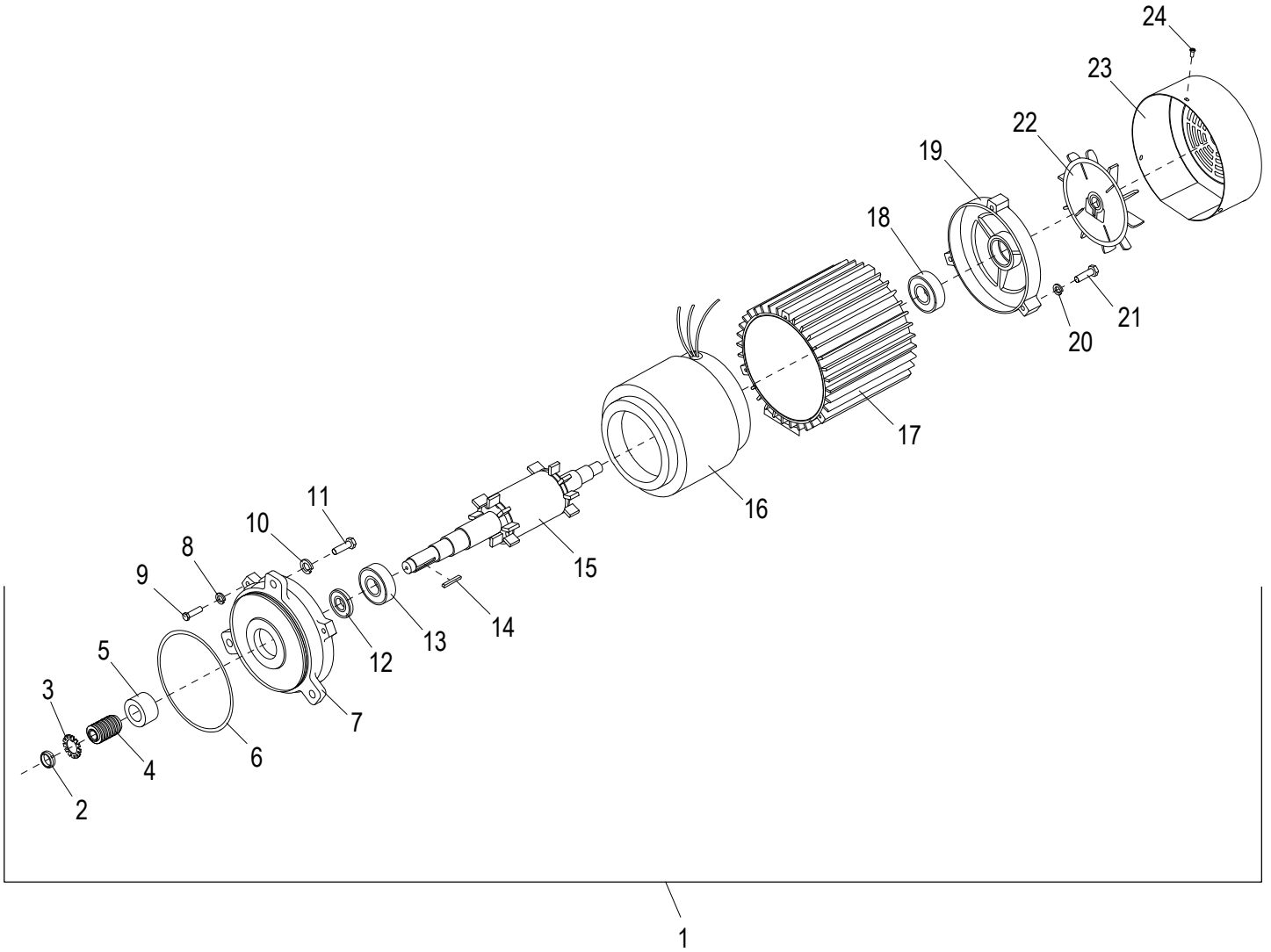
Item	Part Number	Description	Qty	Serial Number
52	X01943	Connector, Contactor (ABB)	3 Phase	1
53	X30070-1P	Capacitor, Start 500Mf	(Not Shown)	1
53	X60070-2	Capacitor, Run 70Mf	(Not Shown)	1



INTENTIONALLY LEFT BLANK PAGE



SP62P Planetary Motor Components



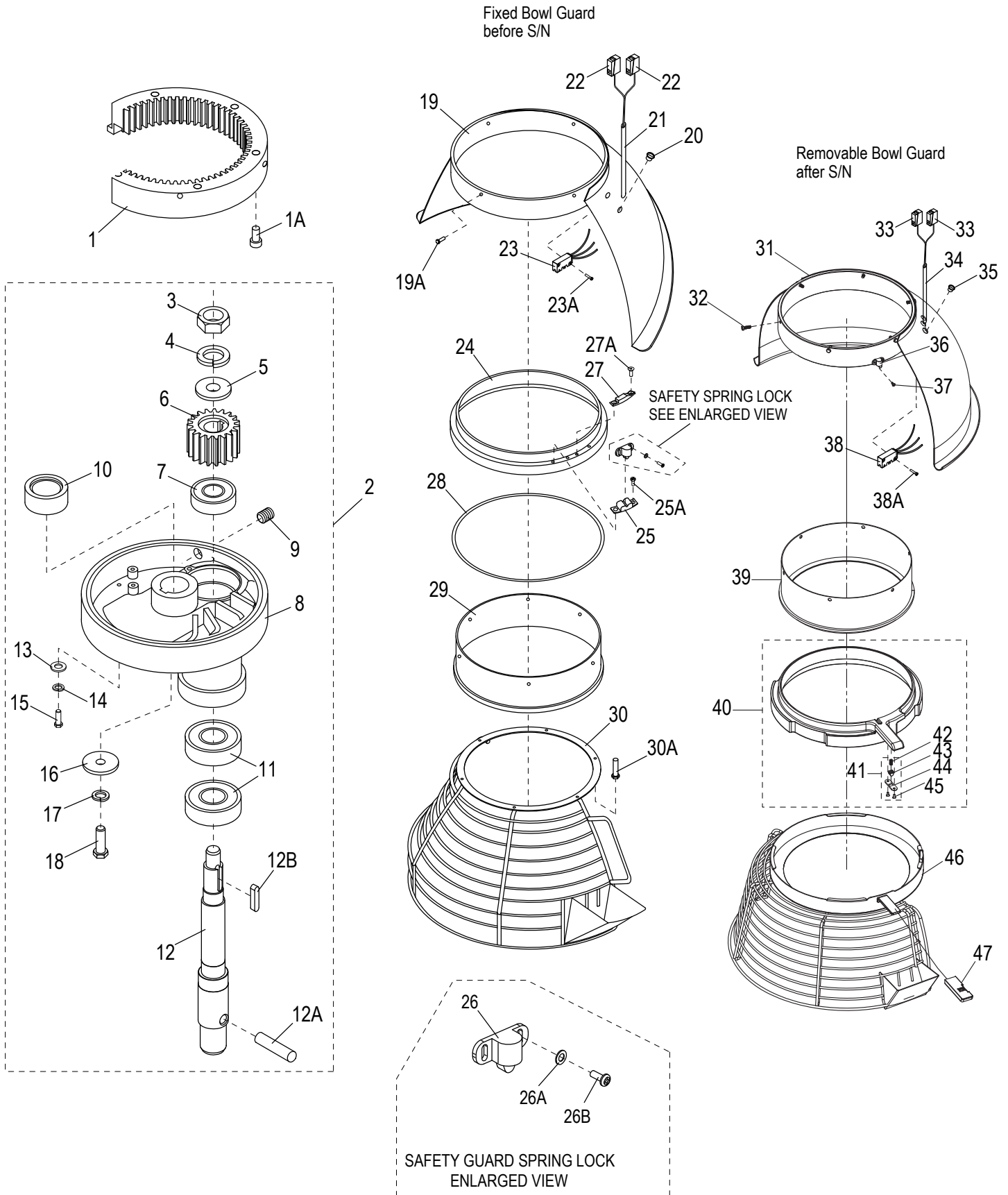


SP62P Planetary Motor Components

Item	Part Number	Description	Qty	Serial Number	
1	X00560	Motor Assembly, 220V-60HZ-1PH	1		
1	X62G24	Motor Assembly, 208V-60HZ-3PH	1		
1	X6261-23	Motor Assembly, 3HP 3PH 380V	1		
2	X80G01	Nut M25 Bearing	1		
3	X80G02	Washer M25 External Tooth	1		
4	X80D39G03	Gear & Drive Set 50Hz	Incl. w/Worm Gear	1	
4	X80D39G03-1	Gear & Drive Set 60Hz	Incl. w/Worm Gear	1	
4	X00678	Worm Gear (28T) (60Hz Mixer)	1 Phase or 3 Phase	1	7710999 or 7750987 ->
5	X80G04	Bronze Bushing (Spacer)		1	
6	X80G05	O-Ring P73x3		1	
7		Motor Front Cover		1	
8	X80G07	Washer M6 Split Lock		3	
9	X80G06	Screw M6x20mm Hex Hd		3	
10		Washer M12 Split Lock		3	
11		Screw M12x40mm Hex Hd		3	
12		Washer M25 Flat (Special)		1	
13	X40125	Ball Bearing		1	
14		Shaft Key 6x6x45mm		1	
15		Motor Shaft		1	
16		Motor Coil	3 Hp	1	
17		Motor Body		1	
18	X10012	Ball Bearing		1	
19		Rear Motor Cover		1	
20	X80G07	Washer M6 Split Lock		3	
21	X80G06	Screw M6x20mm Hex Hd		3	
22	X40061	Cooling Fan		1	
23		Fan Cover		1	
24		Screw M5x12mm Pan Hd		3	



SP62P Planetary Components





SP62P Planetary Components

Item	Part Number	Description	Qty	Serial Number
1	X80F01	Planetary Gear (59T)	1	
1A	X80F03	Screw M8x35mm Socket Hd	6	
2	X01355	Planetary Assembly	1	
3	X80F02	Nut M16 Jam	1	
4	X30020	Nut M14 Stop & Washers	1	
5	X80F05	Washer M16 Flat	1	
6	X80F06	Pinion Gear (18T)	1	
7	X80F07	Ball Bearing	1	
8	X62F09-DG	Planetary Holder	1	
9	X80F08	Set Screw M12x10mm Socket Hd - Cup Pt.	1	
10	X62F18	Oil Bushing	1	
11	X62F10	Ball Bearing	2	
12	X62F13	Planetary Shaft	1	
12A	X80F14	Planetary Shaft Pin M14x38mm	1	
12B	X80F12	Shaft Key 6x6x35mm	1	
13	X80F20	Washer M10 Flat	2	
14	X80F21	Washer M10 Split Lock	2	
15	X80F22	Screw M10x20mm Hex Hd - SS	2	
16	X80F23-1	Washer M10 Flat - D Shape	1	
17	X80F24-1	Washer M10 Split Lock	1	
18	X80F25-1	Screw M10x25mm Hex Hd	1	
19	X62J32-33	Rear Guard, Fixed	1	
19A	X80F16	Screw M5x12mm Hex Hd - SS	6	
20	X80J34	Access Plug	2	
21	X80J31A1	Tube Wireway	1	
22	X80J31	Connector	2	
23	X80J35-1	Microswitch, Safety Interlock	1	
23A	X80J36	Screw M3x16mm Socket Hd	2	
24	X80J43-1	Slide Sheath	1	
25	X80J42	Safety Guard Spring Lock Fixture	1	
25A	X80J41	Screw M4x12mm Hex Hd - SS	2	
26	X80J39	Safety Guard Spring Lock W/Hardware	1	
26A		Washer M3 Flat	2	
26B	X10134B	Round Hd Screw-PHH M3-0.5x8mm, SS-18	2	
27	X10041	Touch Mass	1	
27A	X10042	Flat Hd Screw-Phillips M4-0.7x10mm, Zn	2	
28	X80J44	Gasket	1	
29	X80J45	Cover, Internal Planetary Gear	1	
30	X62J48	Front Interlocking Guard Assy	1	
30A	X80J47	Screw M5x12mm Hex Hd - SS	8	
31	X02611	Rear Guard	1	
32	X80F16	Screw M5x12mm Hex Hd - SS	6	
33	X80J31	Connector	2	
34	X80J31A1	Tube Wireway	1	
35	X80J34	Access Plug	2	
36	X10134	Safety Guard Spring Lock	1	
37	X10134B	Round Hd Screw-PHH M3-0.5x8mm, SS-18	1	
38	X80J35-1	Microswitch, Safety Interlock	1	
38A	X80J36	Screw M3x16mm Socket Hd	2	
39	X02612	Cover, Internal Planetary Gear	1	
40	X02613	Plastic Slide Sheath, Removable	1	
41	X200S3	Spring Plunger Hardware Kit	1	
42		Spring	1	



SP62P Planetary Components

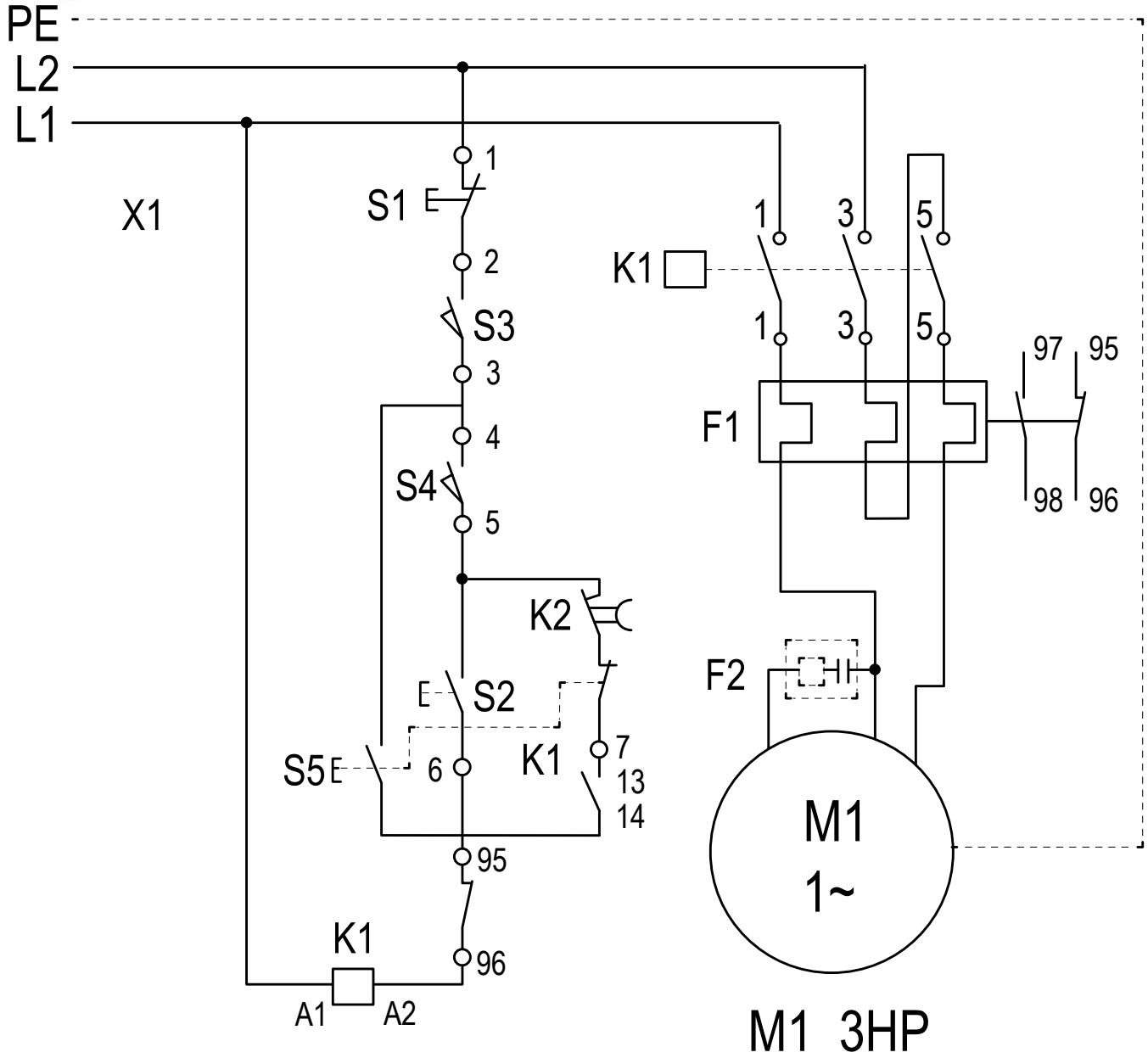
Item	Part Number	Description	Qty	Serial Number
43		Plunger	1	
44		Plate, Plunger Retention	1	
45		Screw M3x8mm Flat Hd	2	
46	X02614	Bowl Guard Assembly, SS	1	
47	X20504	Handle, Plastic - Removable Safety Guard	1	



INTENTIONALLY LEFT BLANK PAGE



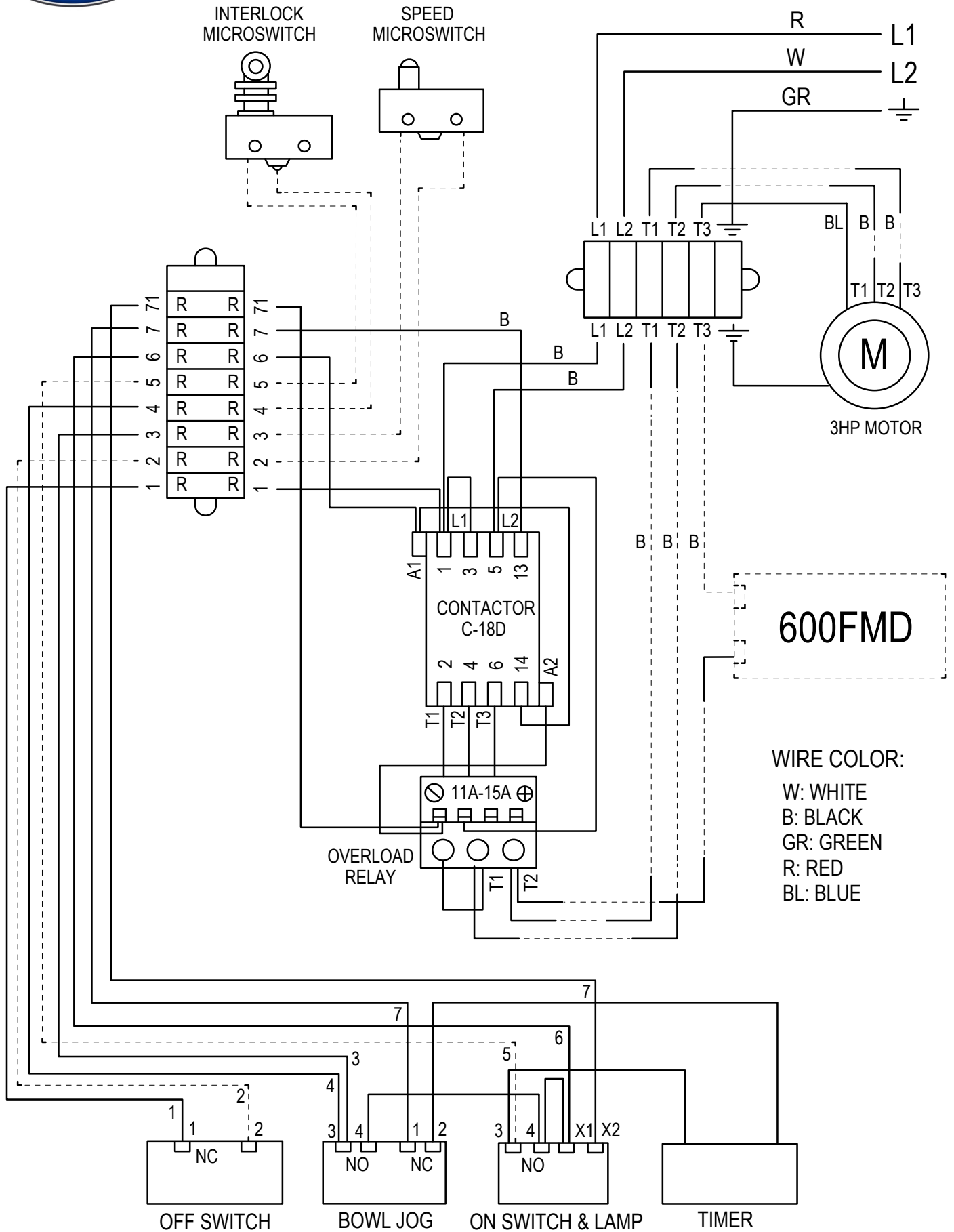
SP62P Electrical Schematic, 220V Mixer - 1 Phase



Item	Description	Qty
S1	Emergency Stop Button	1
S2	Start Button	1
S3	Microswitch, Interlock Guards	1
S4	Microswitch Speed	1
S5	Bowl Jog Button	1
K1	Contacteur Coil 220V, 60Hz	1
K2	Timer	1
F1	Overload Relays	1
F2	Spark Killer (Single Phase)	1
M1	Motor: 3Hp, Single Phase, 208V	1



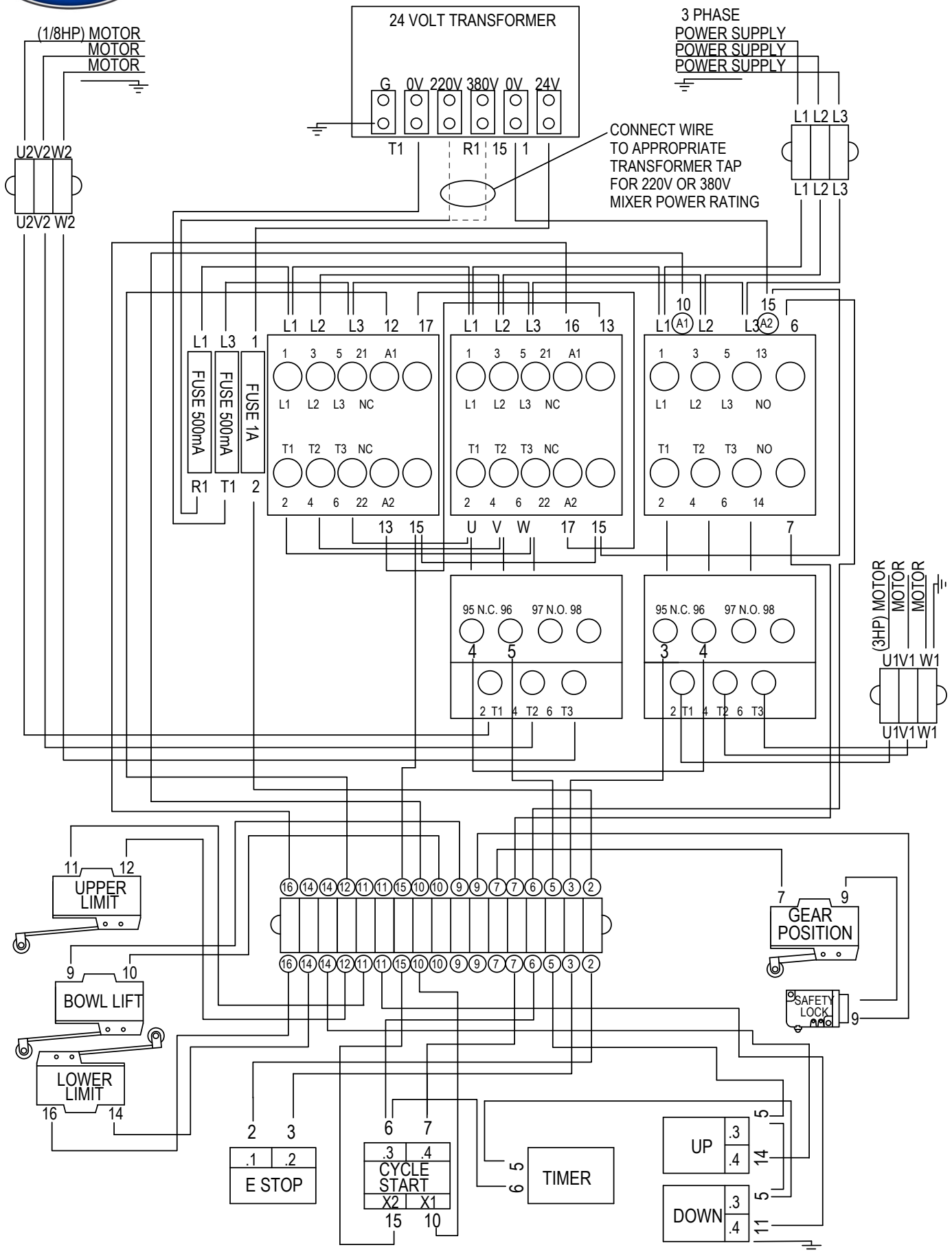
SP62P Wiring Diagram, 220V Mixer - 1 Phase



WIRE COLOR:
W: WHITE
B: BLACK
GR: GREEN
R: RED
BL: BLUE

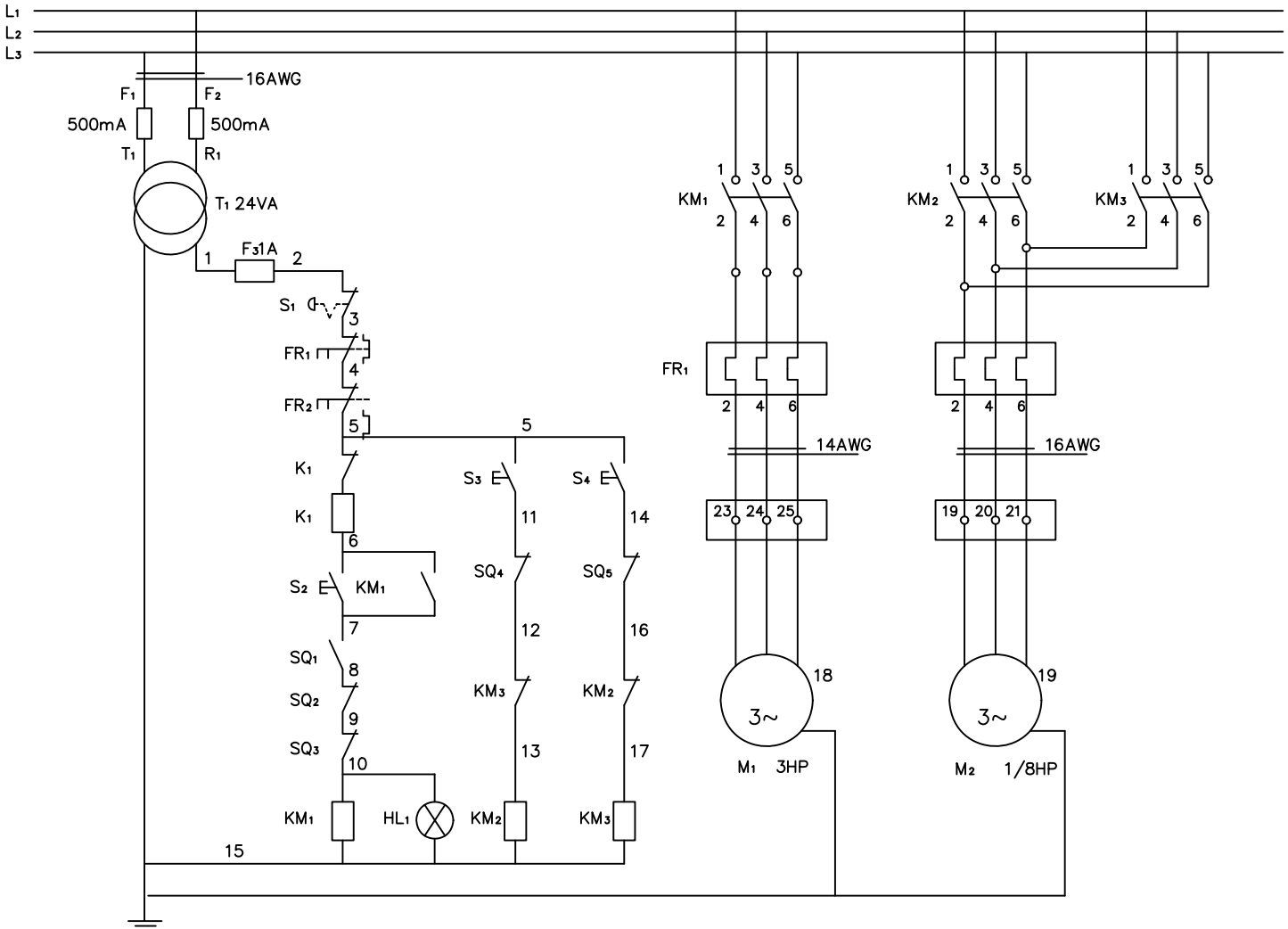


SP62P Wiring Diagram, Power Lift Mixer - 230 400V, 3 Phase





SP62P Electrical Schematic, Power Lift Mixer - 230_400V, 3 Phase

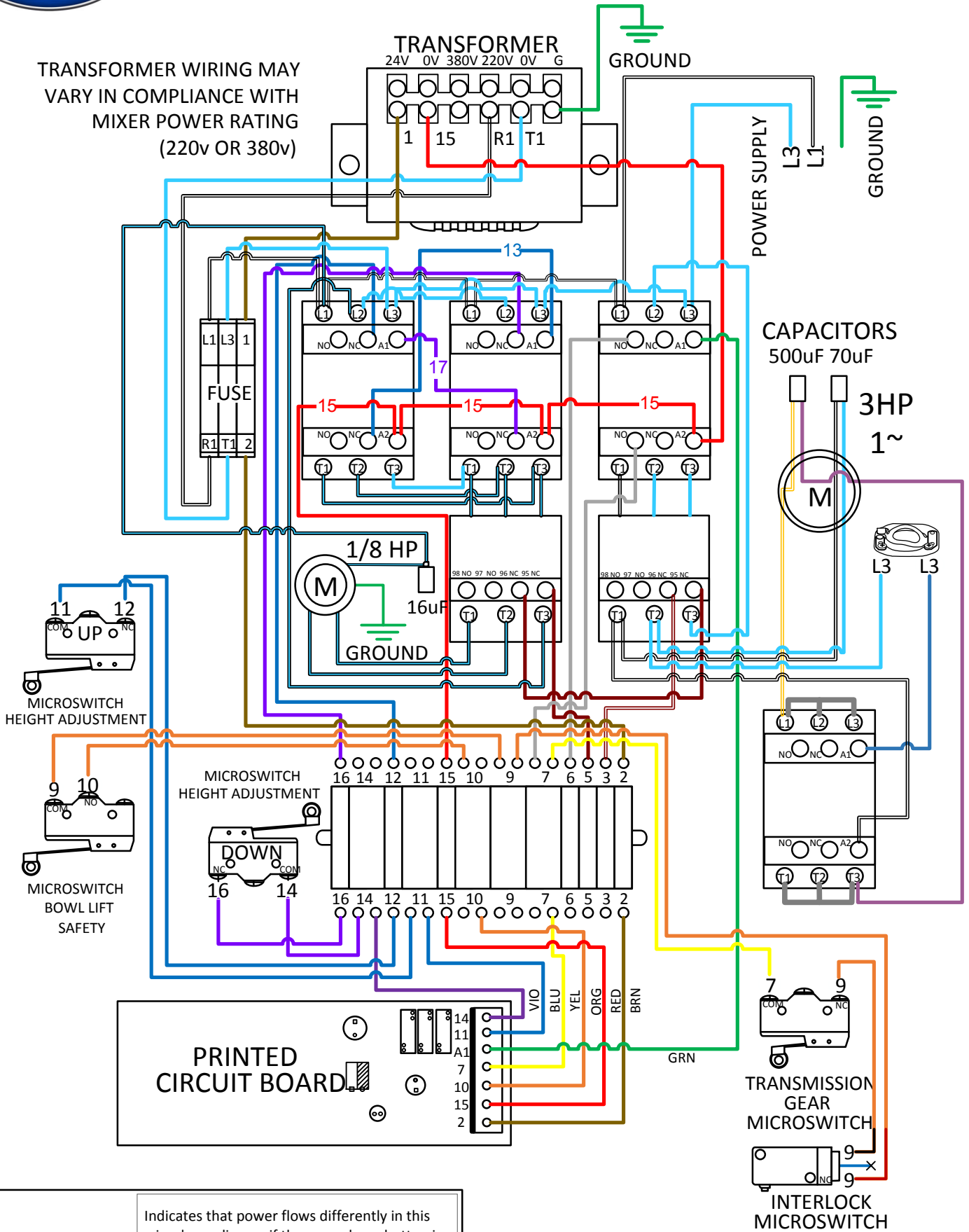


F1	Fuse 250V/500Ma (5X20)	KM1	Contactor
F2	Fuse 250V/500Ma (5X20)	KM2	Contactor, Raise
F3	Fuse 250V/1A (5X20)	KM3	Contactor, Lower
S1	Emergency Stop Button	SQ1	Microswitch (Transmission Gear)
S2	Start Button	SQ2	Microswitch (Interlock Guard)
S3	Start Button	SQ3	Microswitch (Bowl Lift Safety)
S4	Start Button	SQ4	Microswitch (Bowl Lift Upper Limit)
FR1	Overload Relay	SQ5	Microswitch (Bowl Lift Lower Limit)
FR2	Overload Relay	M1	Mixer Motor
		M2	Power Lift Motor



SP62P Wiring Diagram, Power Lift Mixer - Digital Controls, 1 Phase

TRANSFORMER WIRING MAY VARY IN COMPLIANCE WITH MIXER POWER RATING (220v OR 380v)



— Indicates that power flows differently in this wire depending on if the up or down button is being pressed. Blue is UP and violet is DOWN.



SP62P Wiring Diagram, Power Lift Mixer - Digital Controls, 3 Phase

TRANSFORMER WIRING MAY VARY IN COMPLIANCE WITH MIXER POWER RATING (220v OR 380v)

