

# Parts Catalog



SP10

## Mixer

**Model: SP10**

2/25/25 Rev C

IMPORTANT!

TO EXPEDITE SHIPMENT OF PARTS, ALWAYS SPECIFY MODEL, REV,  
PART NUMBER, AND SERIAL NUMBER OF UNIT.

## **GLOBE FOOD EQUIPMENT COMPANY**

2215 East River Road

Dayton, Ohio 45439

### **Parts Department**

Toll Free 1-800-745-6238

E-Mail: [info@globefoodequip.com](mailto:info@globefoodequip.com)

Website: [www.globefoodequip.com](http://www.globefoodequip.com)

Not for resale

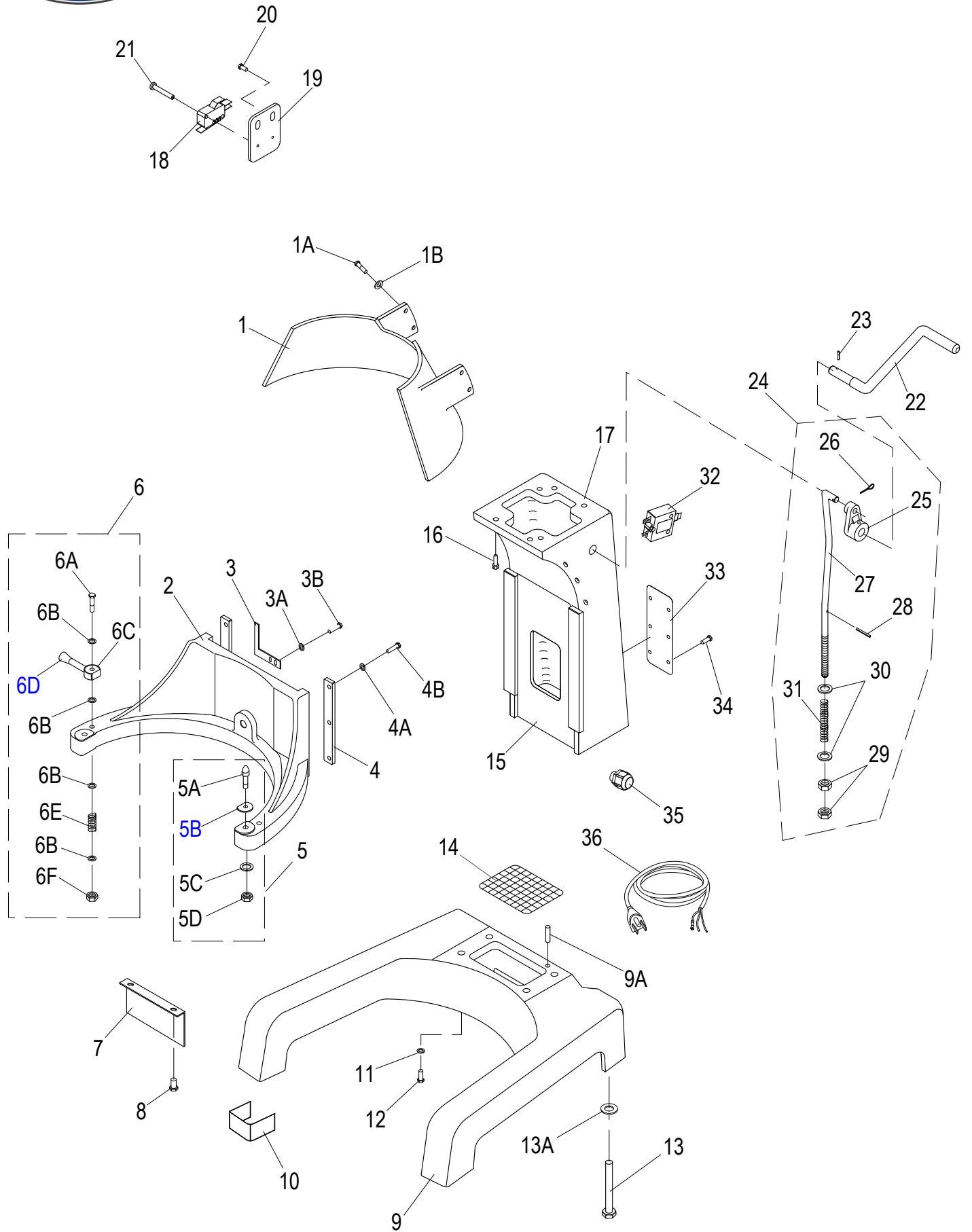


# Table of Contents

Description	Page
SP10 Base Components	4
SP10 Head Components	6
SP10 Hub Components	8
SP10 Planetary Components	10
SP10 Gearbox Components	12
SP10 Motor Components	16
SP10 Digital Timer Components	18
SP10 Electrical Diagram	20
SP10 Wiring Diagram	21



# SP10 Base Components





## SP10 Base Components

Item	Part Number	Description	Qty	Serial Number
1	X10023	Rear Guard	1	
1A	X25097	Screw	4	
1B	X25069	Flat Washer, M6 ID-6mm, OD-24mm, TH-3mm, Thick	4	
2	X10021-DG	Bowl Cradle	1	
3	X10190	Touch Plate	1	
3A	H00551	Lock Washer	2	
3B	X80J41	Screw M4x12mm Hex Hd - SS	2	
4	X10022	Bowl Slide	2	
4A	X08008	Washer	6	
4B	X25097	Screw	6	
5	X20087	Dowel Screw Kit	2	
5A		Dowel Screw	1	
5B	X01759	Flat Washer M8, ID-8.4, OD-24, TH-2mm	2	
5C	X08102	Lock Washer M8 ID-8.5, OD-14.8, TH-2mm Zn	2	
5D	X10088	Cap Nut M8-1.25, OD-13, TH-15mm Zinc	2	
6	X10020	Bowl Clamp Kit (2/Set) (Incl. items 6A-6F)	1	
6A	X20086	Ext. Hex Hd Screw M8-1.25x80mm, Zn	2	
6B	X10189	Washer M8 Flat	8	
6C	X10020-1	Bowl Clamp (2/Set)	1	
6D		Bowl Clamp Handle	2	
6E		Spring	2	
6F	X08074	Nut M8 Hex	2	
7		Cover, Cradle	1	
8	X40056	Truss Hd Screw PHH M6-1.0x10mm, SS-18	2	
9	X10024-DG	Base	1	
9A		Dowel Pin Ø8x15mm	2	
10	X10136	Foot Kit (4/Set)	4	
11		Washer M10 Flat	4	
12	H01022	Screw M10x40mm Hex Head	4	
13	H02746	Bolt & Washer Kit	4	
13A		Washer	4	
14	X20031	Screen	1	
15	X10035-1-DG	Column	1	
16	X80E09	Screw M8x25mm Socket Hd	4	
17	X91014	Hazardous Voltage Label	Not Shown	
18	X10057	Microswitch	1	
19		Bracket	1	
20	X40056	Truss Hd Screw PHH M6-1.0x10mm, SS-18	2	
21	H00546	M5x10mm Button Hd Screw	2	
22	X10040	Bowl Lift Arm	1	
23	X10039	Dowel Pin Ø5x30mm	1	
24	X10037A	Bowl Lift Kit (Incl. items 25-31)	1	
25		Bowl Lift Cam	1	
26		Cotter Pin	1	
27		Bowl Lift Rod	1	
28		Roll Pin Ø3x28mm	1	
29	X08051	Nut M10 Hex	2	
30		Washer	2	
31		Spring	1	
32	X10027-2	Reset Switch	1	
33	X10191	Plate	1	
34	X25051	Rd Hd Screw	6	
35	X03111	Strain Relief	1	



## SP10 Base Components

---

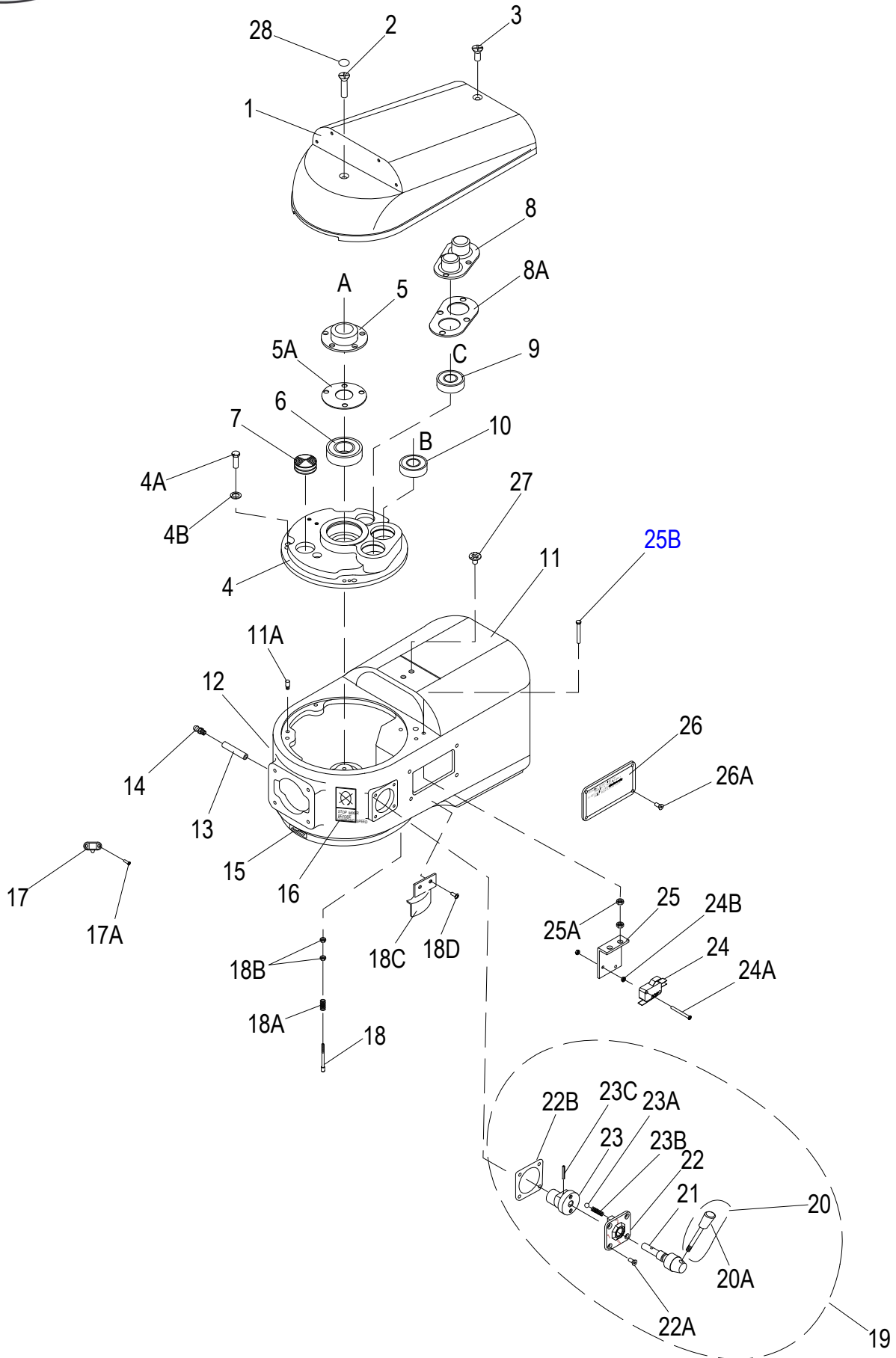
Item	Part Number	Description	Qty	Serial Number
36	<a href="#">X02739</a>	Power Cord	1	
37	<a href="#">X80J11</a>	Terminal Block	Not Shown	1



*INTENTIONALLY LEFT BLANK PAGE*



# SP10 Head Components



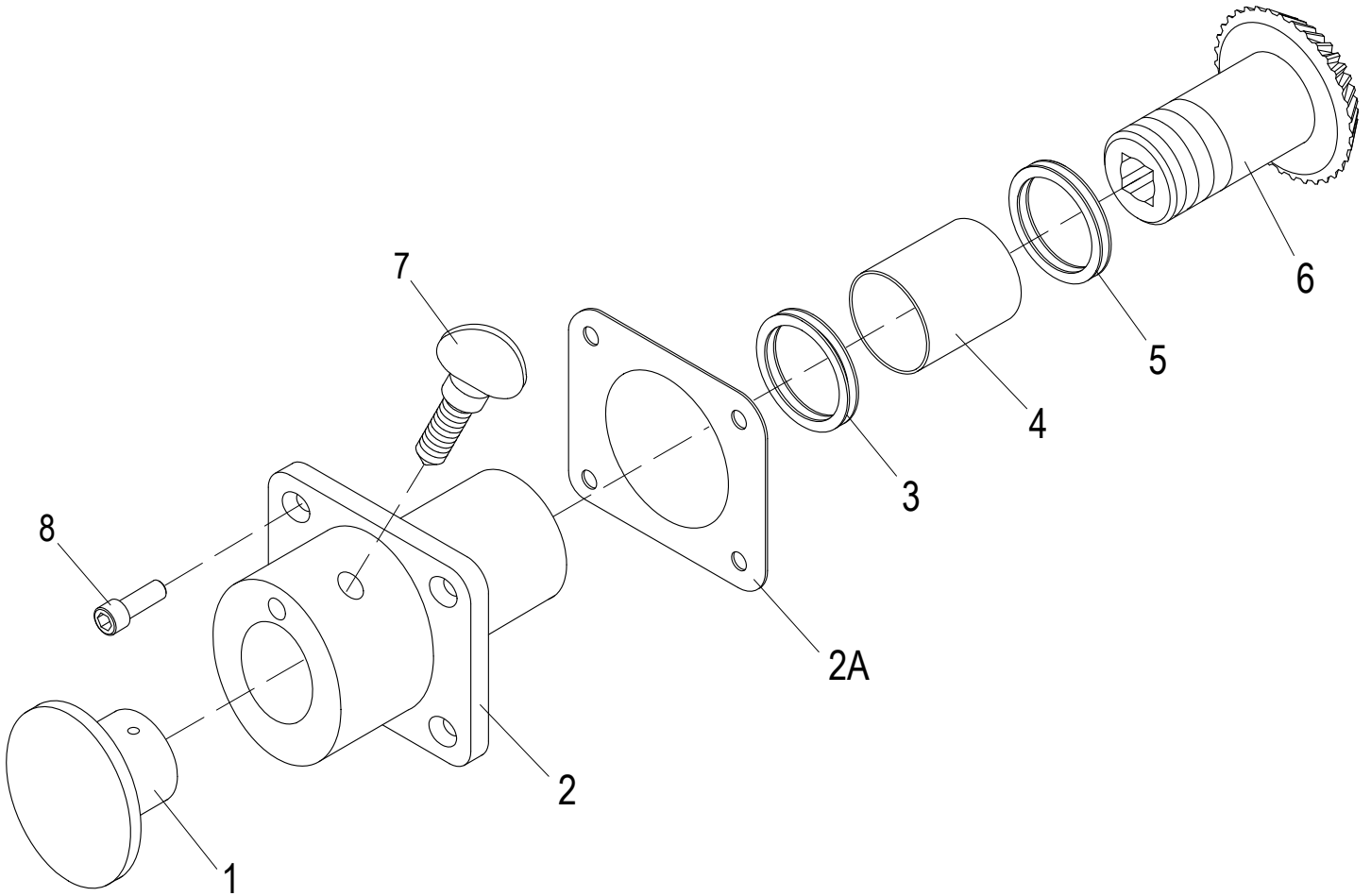


## SP10 Head Components

Item	Part Number	Description	Qty	Serial Number
1	X10001-2-DG	Top Cover	1	
2	X10180	Flat Hd Screw-PHH 1/4"-20x1.25", Zinc	1	
3	X10181	Flat Hd Screw-PHH 1/4"-20x0.75", Zinc	1	
4	X10074	Gear Cover	1	
4A	X80H50	Screw M6x16mm Hex Hd	4	
4B		Washer M6 Split Lock	4	
5	X10072	Cap	1	
5A	X10187	Gasket	1	
6	X10010	Bearing (6203Z)	1	
7	X10073	Oil Plug	1	
8	X10071	Twin Cap	1	
8A	X10188	Gasket	1	
9	X10068	Bearing (6201Z)	1	
10	X10068	Bearing (6201Z)	1	
11	X10059-1	Transmission Case	1	
11A		Locating Pin Ø8xM6x10mm	2	
12	X91009	Gear Maintenance Label	1	
13	X10217	Grease Tube w/o Zert	1	
14	X10900	Grease Fitting	1	
15	X91012	Arrow Label	1	
16	X91010	Gear Damage Label	1	
17	X10134	Spring Lock Assembly	1	
17A	X10134B	Round Hd Screw-PHH M3-0.5x8mm, SS-18	2	
18	X10043N	Nylon Touch Shaft Kit	1	
18A	X30095	Spring	1	
18B	X30186	Hex Nut M5-0.8 OD-8, TH-4mm, Zinc	2	
18C	X20516	Cover	1	
18D	H02533	Truss Hd Screw-Combo M5x8mm, Zn	2	
19	X10045-48	Gear Shift Kit (Incl. items 20-23C)	1	
20	X10045	Arm With Knob (Incl. item 20A)	1	
20A	X10045-1	Knob	1	
21		Shaft	1	
22		Cover	1	
22A	X25166	Flat Hd Screw-PHH M5-0.8x16mm, Zinc	4	
22B	X10199	Gasket	1	
23		Shaft Bias	1	
23A		Roller	2	
23B		Spring	2	
23C		Roll Ø3x28mm Pin	1	
24	X10057	Microswitch	1	
24A	X08156	Screw	2	
24B		Washer M18 Flat	4	
25	X10058	Bracket	1	
25A	X08015	Nut M6 Hex - Nylon Insert	4	
25B	X80116	Screw	2	
26	X10055	Injury Warning Plate	1	
26A	X25060	Screw M4x6mm Pan Hd	4	
27	X10131	Rd Hd Screw-PHH #10-24x3/8", Zinc	1	
28	X03161	Screw Cover	2	



# SP10 Hub Components





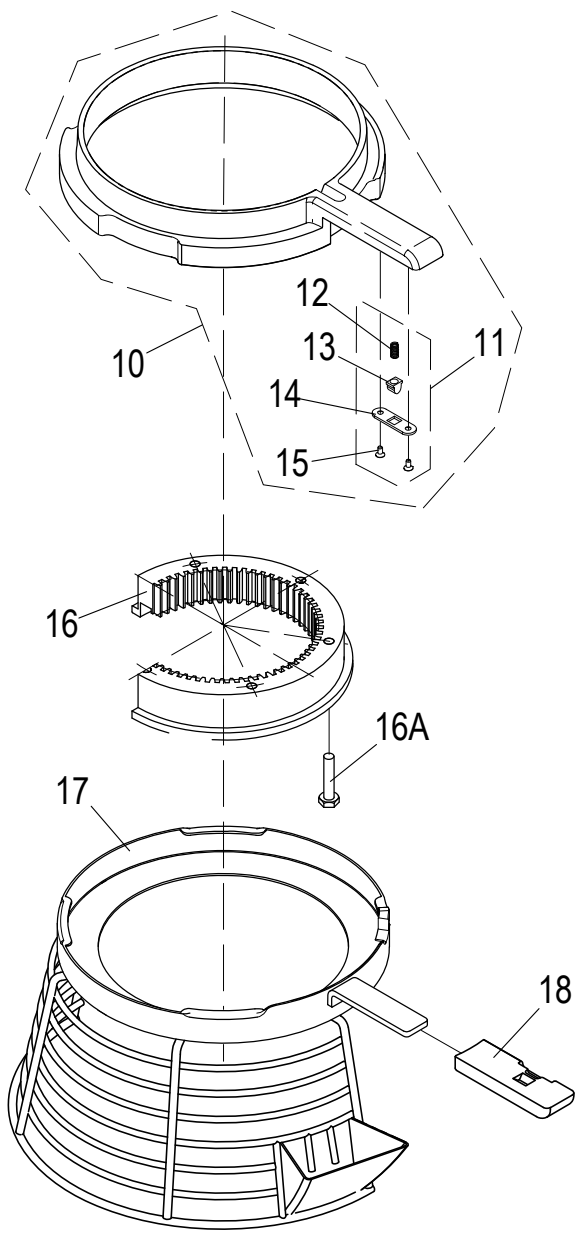
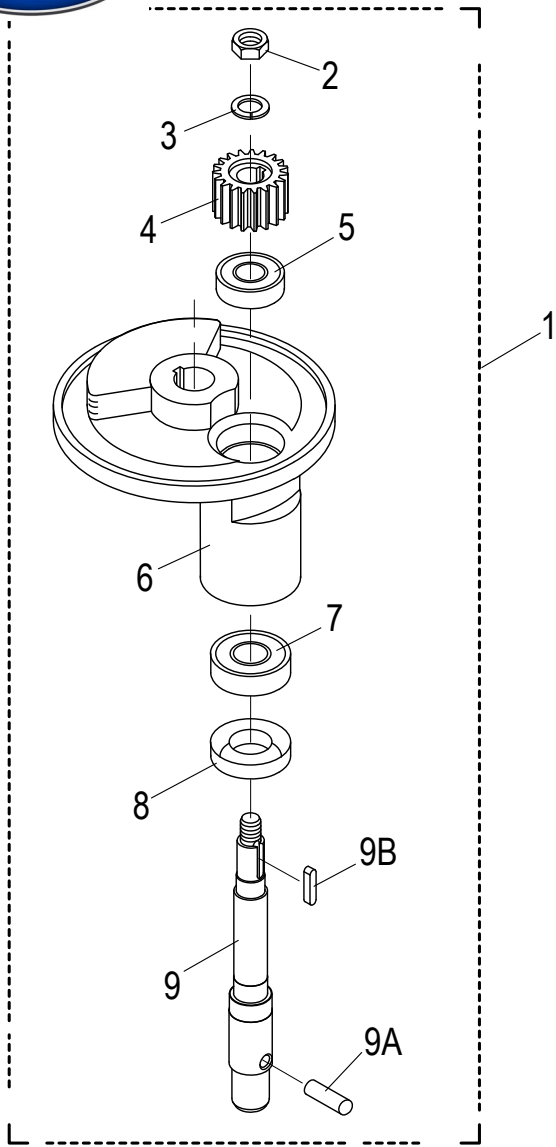
## SP10 Hub Components

---

Item	Part Number	Description	Qty	Serial Number
1	X10007	Hub Plug	1	
2	X10006-DG	Hub Assembly	1	
2A	X10006	Gasket	1	
3	X10089	Oil Seal	1	
4	X10075	Needle Bearing	1	
5	X30018-1	Thrust Washer ID-35mm, OD-55mm, TH-1mm	2	
6	X10003	Level Gear (35T)	1	
7	X10005	Thumb Screw 1/2-13x3/4"	1	
8	X80B52	Socket Hd Cap Screw M6-1.0x20mm, B.O.	4	



# SP10 Planetary Components



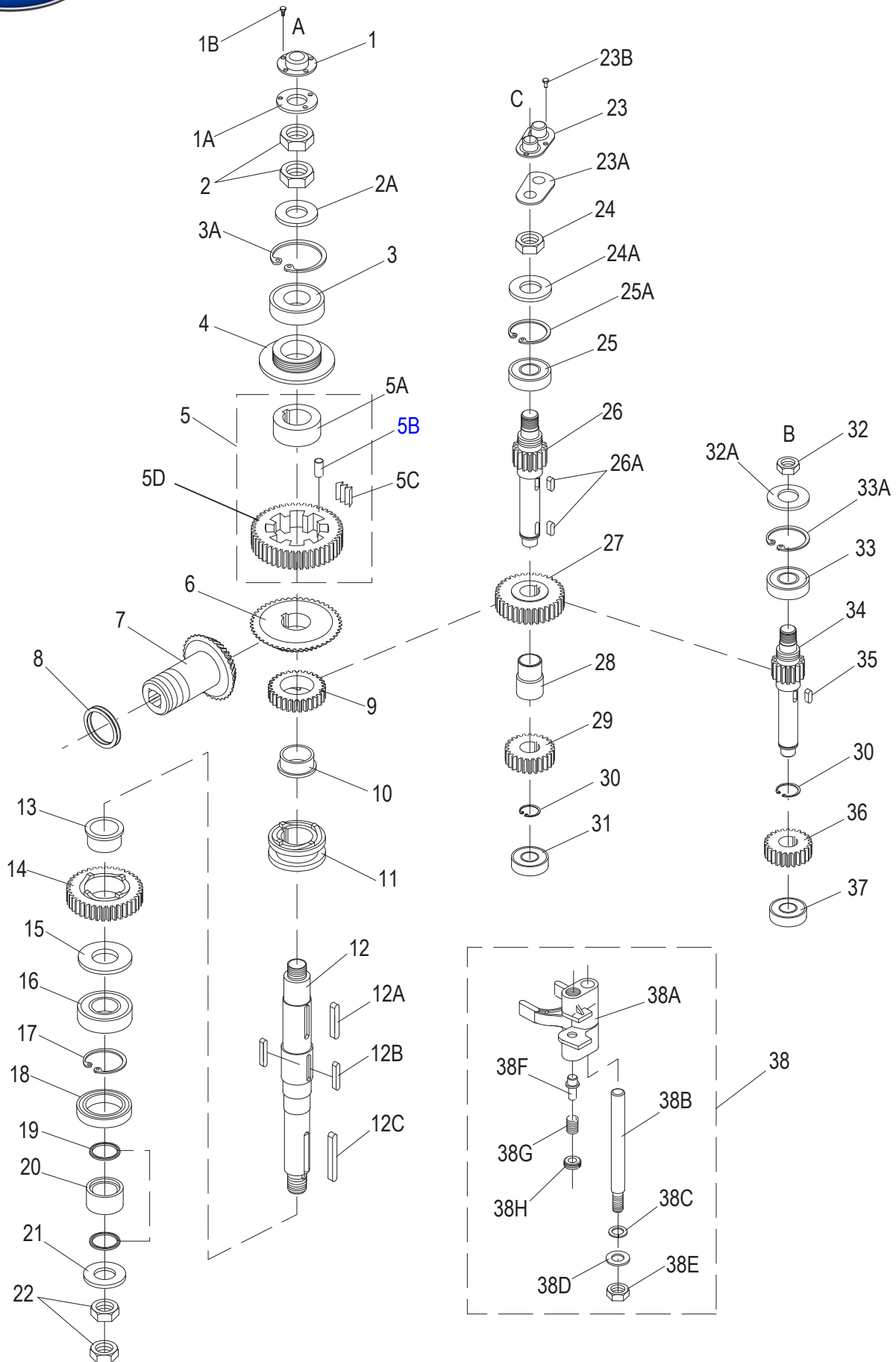


## SP10 Planetary Components

Item	Part Number	Description	Qty	Serial Number
1	X10008-82	Planetary Assembly (Incl. items 2-9B)	1	
2	X10008	Hex Nut M12-1.25, OD-19, HT-10mm, Zinc	1	
3	X01372	Lock Washer	1	
4	X10009	Pinion Gear (19T)	1	
5	X10010	Bearing (6203Z)	1	
6	X10011-DG	Planetary Holder	1	
7	X10012	Bearing (6204Z)	1	
8	X10013	Oil Seal	1	
9	X10015	Planetary Shaft	1	
9A		Dowel Pin	1	
9B	X10014	Key (Incl. with X10015)	1	
10	X200S2	Slide Sheath (Incl. items 11-15)	1	
11	X200S3	Spring Lock Kit	1	
12		Spring	1	
13		Plunger	1	
14		Plate, Plunger Retention	1	
15	X10134B	Round Hd Screw-PHH M3-0.5x8mm, SS-18	2	
16	X10078	Internal Gear (63T)	1	
16A	X10082	Screw	6	
17	X100S1	Removable Bowl Guard	1	
18	X20504	Plastic Handle	1	



# SP10 Gearbox Components





## SP10 Gearbox Components

Item	Part Number	Description	Qty	Serial Number
1	X10072	Cap	1	
1A	X10187	Gasket	1	
1B	X10133	Pan Hd Screw-PHH M6-1.0x10mm, SS	4	
2	X10132	Thin Hex Nut 1/2-20, OD-1/2", TH-11/64" Zn	2	
2A		Washer 1/2" Flat	1	
3	X10010	Bearing (6203Z)	1	
3A		Retaining Ring	1	
4	X10090	Lead-In Oil Pad	1	
5	X10091-94	Slow Speed Gear Assembly (46T) (Incl. items 5A-5D)	1	
5A	X10091	Bushing	1	
5B		Dowel Ø8x16mm Pin	8	
5C	X10093	Gear Spring Kit (8/Set)	8	
5D		Gear, Slow Speed (46T)	1	
6	X10095	Bevel Gear (46T)	1	
7	X10003	Level Gear (35T)	1	
8	X30018-1	Thrust Washer ID-35mm, OD-55mm, TH-1mm	1	
9	X10096	Clutch Gear (29T)	1	
10	X10097	Bushing	1	
11	X10110	Clutch Sleeve	1	
12	X10107	Drive Shaft	1	
12A	X10098	Key H-6xW-6xL-28mm, Round Ends	1	
12B	X10109	Key 5x5x27mm	1	
12C	X10108	Key 6x6x45mm	1	
13	X10097	Bushing	1	
14	X10100	Clutch Gear (38T)	1	
15	X10101	Heel	1	
16	X10102	Bearing (6205LU)	1	
17		Retaining Ring RTW-52	1	
18	X10105	Oil Seal	1	
19	X10103	O-Ring 28x22x3mm	2	
20	X10104	Bushing	1	
21		Washer M20 Flat	1	
22	X10106	Thin Hex Nut 3/4"-16, OD-1-1/8", HT-27/64", Zn	2	
23	X10071	Twin Cap	1	
23A	X10188	Gasket	1	
23B	X10131	Rd Hd Screw-PHH #10-24x3/8", Zinc	4	
24	X10125	Thin Hex Nut 3/8-24, OD-9/16", TH-7/32", Zn	1	
24A		Washer 3/8" Flat	1	
25	X10068	Bearing (6201Z)	1	
25A		Retaining Ring	1	
26	X10129	Transmission Shaft (15T)	1	
26A	X25143	Key 5x5x10mm	2	
27	X10126	Gear (32T)	1	
28	X10122	Bushing	1	
29	X10121	Gear (24T)	1	
30	X10120	Retaining Ring STW-19	2	
31	X10117	Bearing (6201)	1	
32	X10125	Thin Hex Nut 3/8-24, OD-9/16", TH-7/32", Zn	1	
32A		Washer	1	
33	X10068	Bearing (6201Z)	1	
33A		Retaining Ring	1	
34	X10124	Master Shaft (15T)	1	
35	X20123	Key, Round Ends H-5xW-5xL-18mm	1	



## SP10 Gearbox Components

---

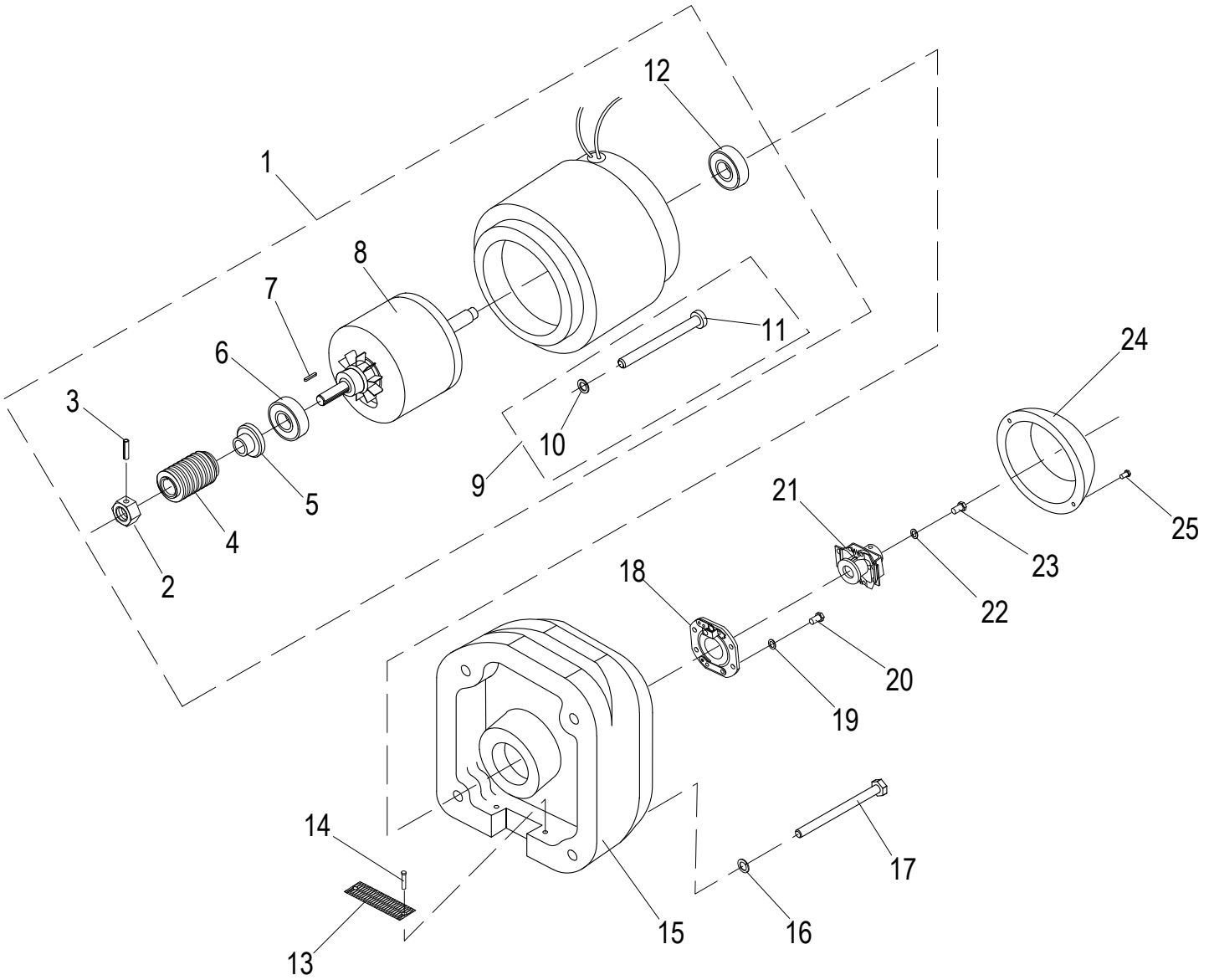
Item	Part Number	Description	Qty	Serial Number
36	X10118	Bronze Gear (29T)	1	
37	X10117	Bearing (6201)	1	
38	X10111-116	Shifter Yoke Kit (Incl. items 38A-38H)	1	
38A		Yoke Shifter	1	
38B		Guide, Rod Shifter	1	
38C	H00527	Split Lock Washer	1	
38D		Washer	1	
38E	H03157	Hex Nut, SS	1	
38F		Plunger, Yoke Shifter	2	
38G		Spring, Retainer	2	
38H		Spring, Yoke Shifter	2	



*INTENTIONALLY LEFT BLANK PAGE*



# SP10 Motor Components



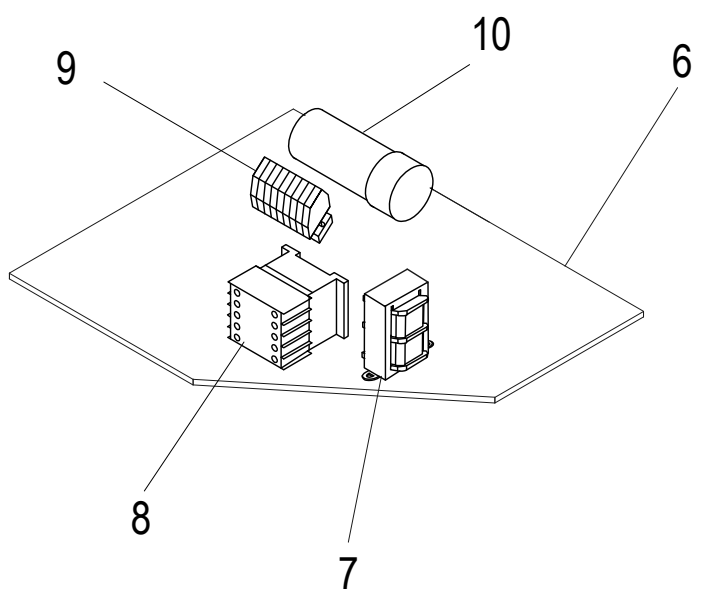
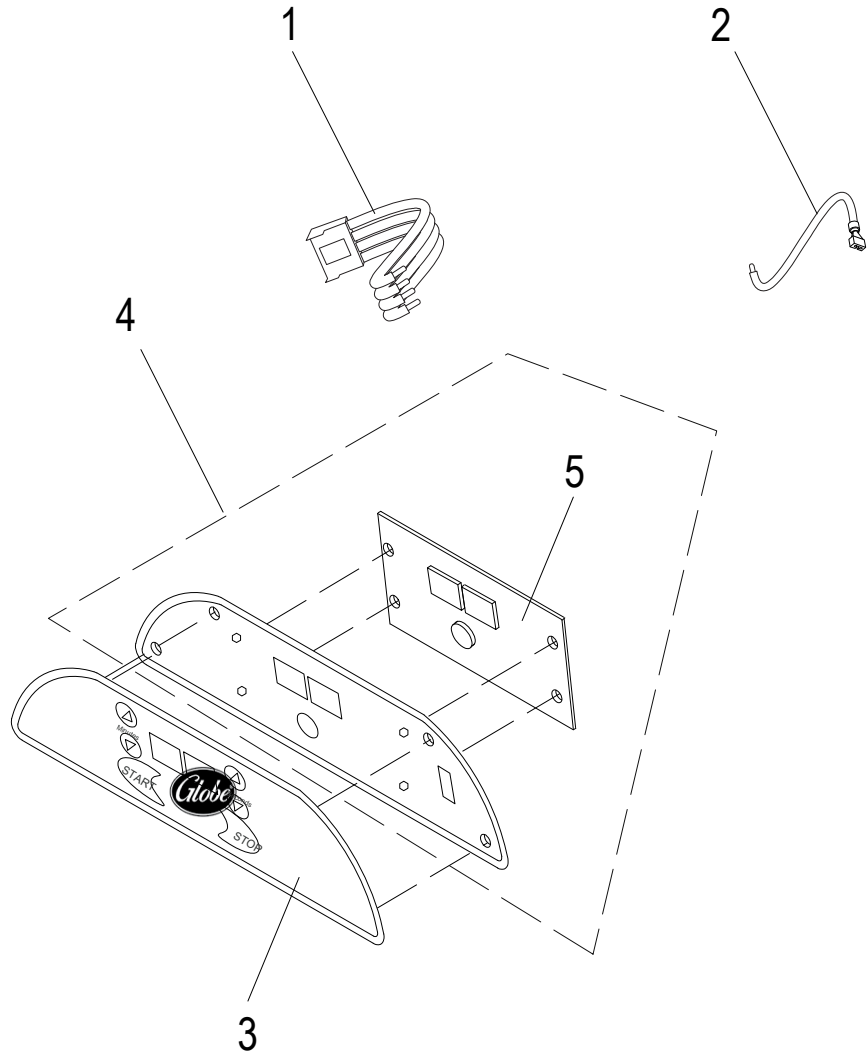


## SP10 Motor Components

Item	Part Number	Description	Qty	Serial Number
1	X10060-67	Motor Kit (120V/60HZ/1PH/5A) (Incl. items 2-12)	1	
2	X20066	Hex Nut 7/16, OD-11/16", TH-3/8", Zn	1	
3	X20067	Roll Pin M3x16mm	1	
4	X20065	Worm Gear	1	
5	X20060	Bushing	1	
6	X08114	Bearing (6203LU)	1	
7	X20202	Key H-3xW-3xL-18mm, Round Ends	1	
8		Motor Shaft	1	
8		Motor Coil	1	
9	X20206-207	Screw And Lock Washer Kit (Incl. items 10-11)	1	
10	X20207	Lock Washer M5, ID-5.4, OD-8.8, TH-2mm, SS-18	4	
11		Screw M5x84mm Hex Hd	4	
12	X08114	Bearing (6203LU)	1	
13	X20031	Screen	1	
14		Rivet	2	
15	X10054	Rear Cover	1	
16	1226	Washer M6 Split Lock	4	
17	X20161	Ext. Hex Hd Screw #1/4-20x2.25", Zn	4	
18	X10051	Platinum Switch	1	
19	X20207	Lock Washer M5, ID-5.4, OD-8.8, TH-2mm, SS-18	2	
20	X10083	Ext. Hex Hd Screw M5-0.8x10mm, SS	2	
21	X10052	Clutch	1	
22	X20207	Lock Washer M5, ID-5.4, OD-8.8, TH-2mm, SS-18	1	
23	X10083	Ext. Hex Hd Screw M5-0.8x10mm, SS	1	
24	X10053	Cover	1	
25	X10083	Ext. Hex Hd Screw M5-0.8x10mm, SS	2	



# SP10 Digital Timer Components





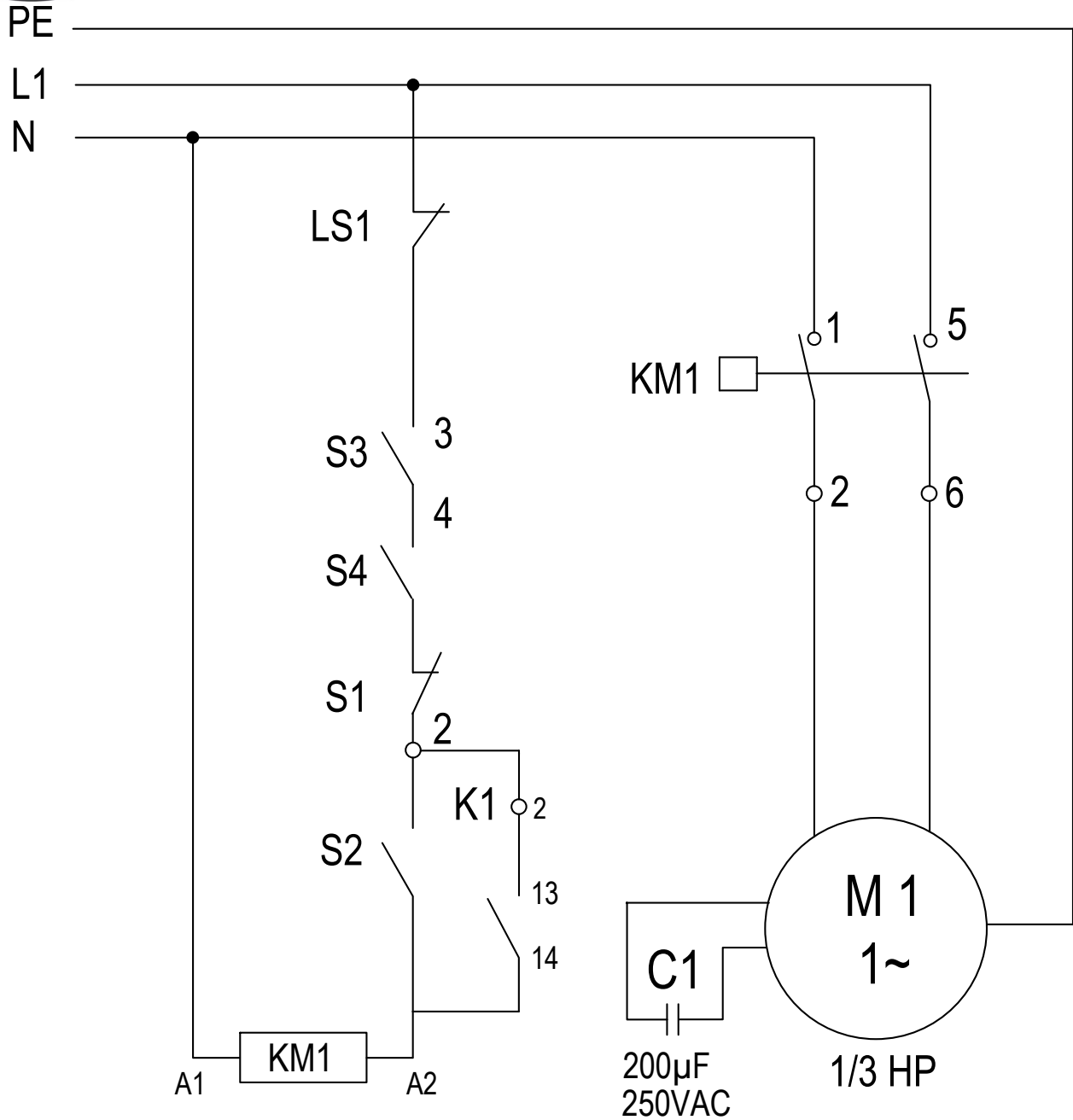
## SP10 Digital Timer Components

---

Item	Part Number	Description	Qty	Serial Number
1	<a href="#">X00675-1</a>	Wire Harness	1	
2	<a href="#">X00676</a>	Control Board Wire	2	
3	<a href="#">X00565</a>	Membrane	1	
4	<a href="#">X01336</a>	Aluminum Panel Kit	1	
5	<a href="#">X00568</a>	Control Board	1	
6	X02493	Mounting Plate	1	
7	<a href="#">X00569</a>	Transformer	1	
8	<a href="#">X10028ABB</a>	Contactor (110-220V/50-60HZ/1-3PH/9A)	1	
9	<a href="#">X10029A</a>	Connecting Block Kit	1	
9	<a href="#">X10029-2G</a>	Connecting Block, Gray (2C)	1	
9	<a href="#">X10029-EC</a>	Connecting Block End Cap	1	
10	<a href="#">X10026</a>	Capacitor, Start - 200MF	1	
11	<a href="#">X00570</a>	Fuse	Not Shown	1



# SP10 Electrical Diagram



Item	Description	Qty
C1	Capacitor	1
S1	Emergency Stop Button	1
S2	Start Button	1
S3	Microswitch (Interlock Guard)	1
S4	Microswitch (Bowl Lift)	1
KM1	Contactor Coil, 120V, 60 HZ	1
M1	Motor, 1/2 HP Single Phase 120V	1
LS1	Circuit Breaker	1
K1	Timer	1



# SP10 Wiring Diagram

