

Parts Catalog



SG13

S-Series Slicer Smart Manual

Model: SG13

7/21/2023 Rev. AG

IMPORTANT!

TO EXPEDITE SHIPMENT OF PARTS, ALWAYS SPECIFY MODEL, REV,
PART NUMBER, AND SERIAL NUMBER OF UNIT.

GLOBE FOOD EQUIPMENT COMPANY

2215 East River Road
Dayton, Ohio 45439

Parts Department

Toll Free 1-800-745-6238 · Fax (937) 290-0585

E-Mail: info@globefoodequip.com

Website: www.globefoodequip.com

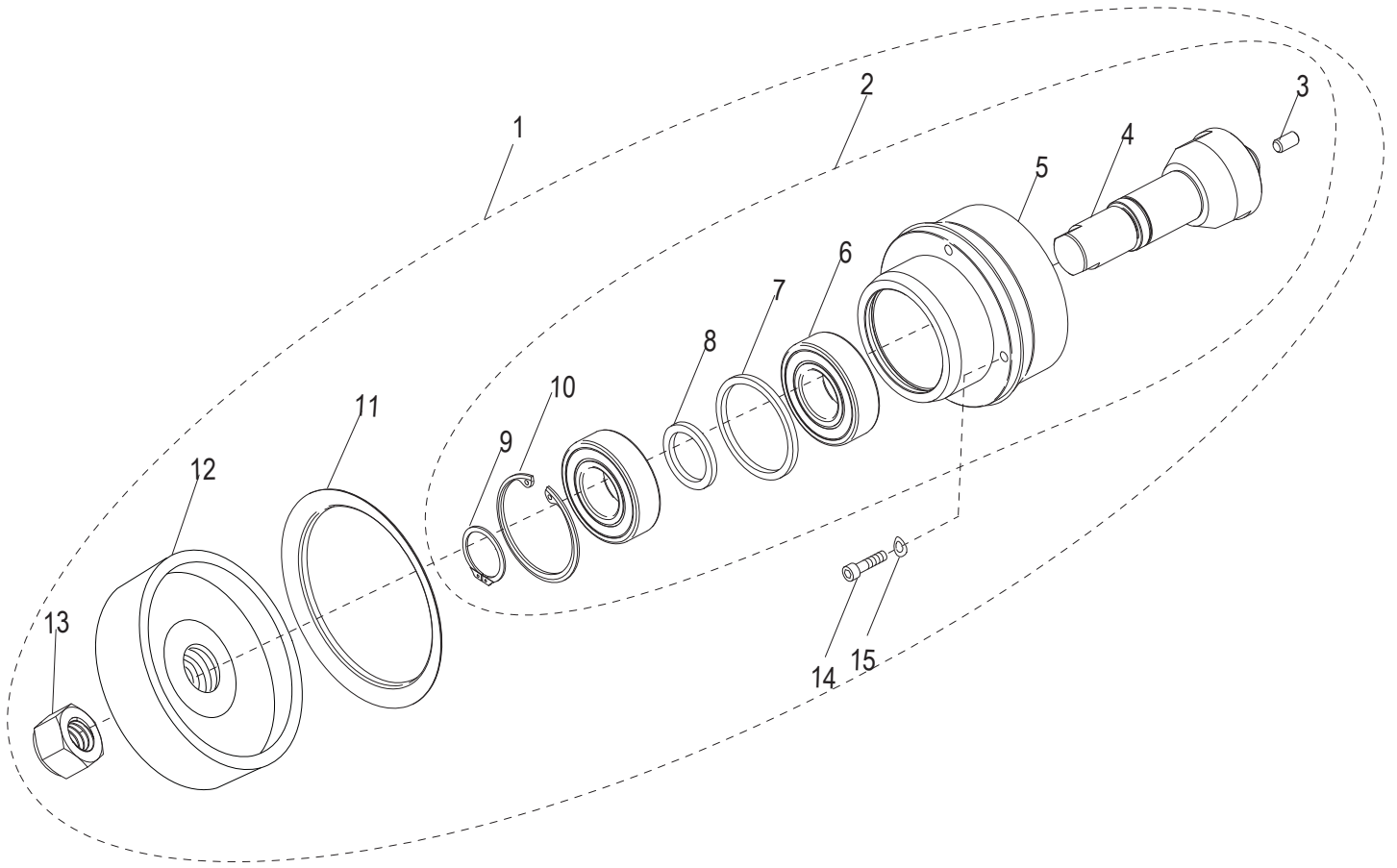
Not for resale

Table of Contents

Description	Page
SG13 Knife Drive Assembly Components	4
SG13 Index Knob Components	6
SG13 Base Shroud Components	8
SG13 Gauge Plate Components	10
SG13 Index Slide Assembly Components	12
SG13 Ring Guard Assembly Components	14
SG13 Electrical Base Components	16
SG13 Knife Drive Motor Components	20
SG13 Transport Arm Assembly Components	22
SG13 Lift Lever Base Components	26
SG13 Carriage and End Weight Assembly Components	28
SG13 Knife and Knife Cover Components	30
SG13 Sharpener Assembly Components	32
SG13 Removable Carriage Components - Option	34
SG13 Knife Removal Tool - Option	36
SG13 Removable Knife Kit - Option	38
SG13 Removable Knife Drive Kit - Option	40
SG13 Wiring Schematic	42



SG13 Knife Drive Assembly Components



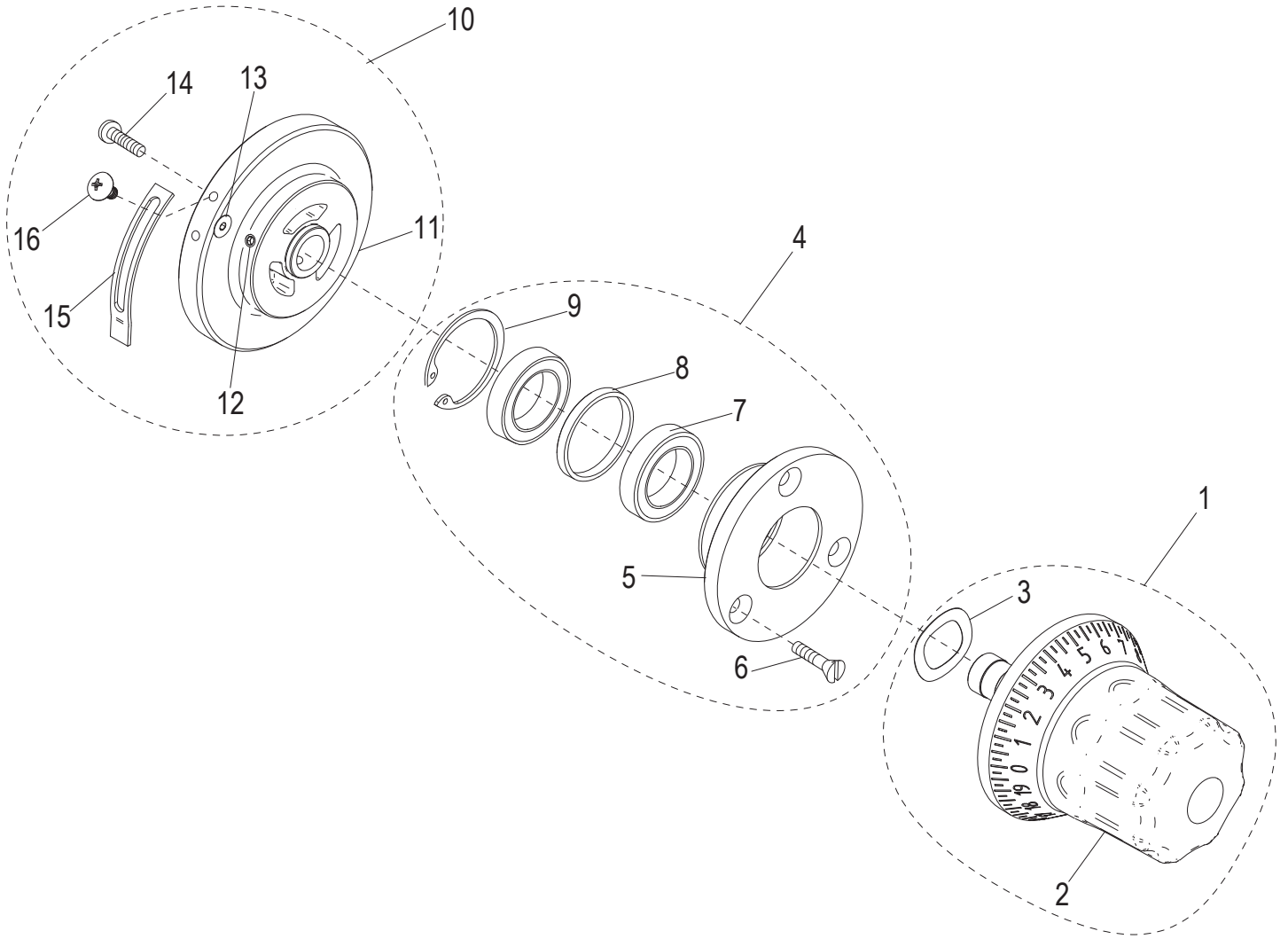


SG13 Knife Drive Assembly Components

Item	Part Number	Description	Qty	Serial Number
1	450211	Knife Drive Assembly (Incl. items 2-15)	1	
2	420088	Knife Drive Bearing Assembly (Incl. items 3-10)	1	
3	510078	Knife Cover Bumper	1	
4		Shaft, Knife Drive	1	
5		Knife Drive Bearing Mount	1	
6		Ball Bearing, Sealed	2	
7		Outer Ring, Bearing Spacer	1	
8		Inner Ring, Bearing Spacer	1	
9		Retaining Ring 5101-98 Bowed External	1	
10		Retaining Ring N5002-200	1	
11	520244	Knife Drive Boot	1	
12	450115	Knife Drive Pulley	1	
13	510033	Nut 7/8-20 Hex (Zinc)	1	
14	810229	Socket Hd. 1/4-20x3/4 Cap Screw, SST	4	
15	810275	Bellville Disc Spring Washer .255 ID x .50 OD	4	



SG13 Index Knob Components



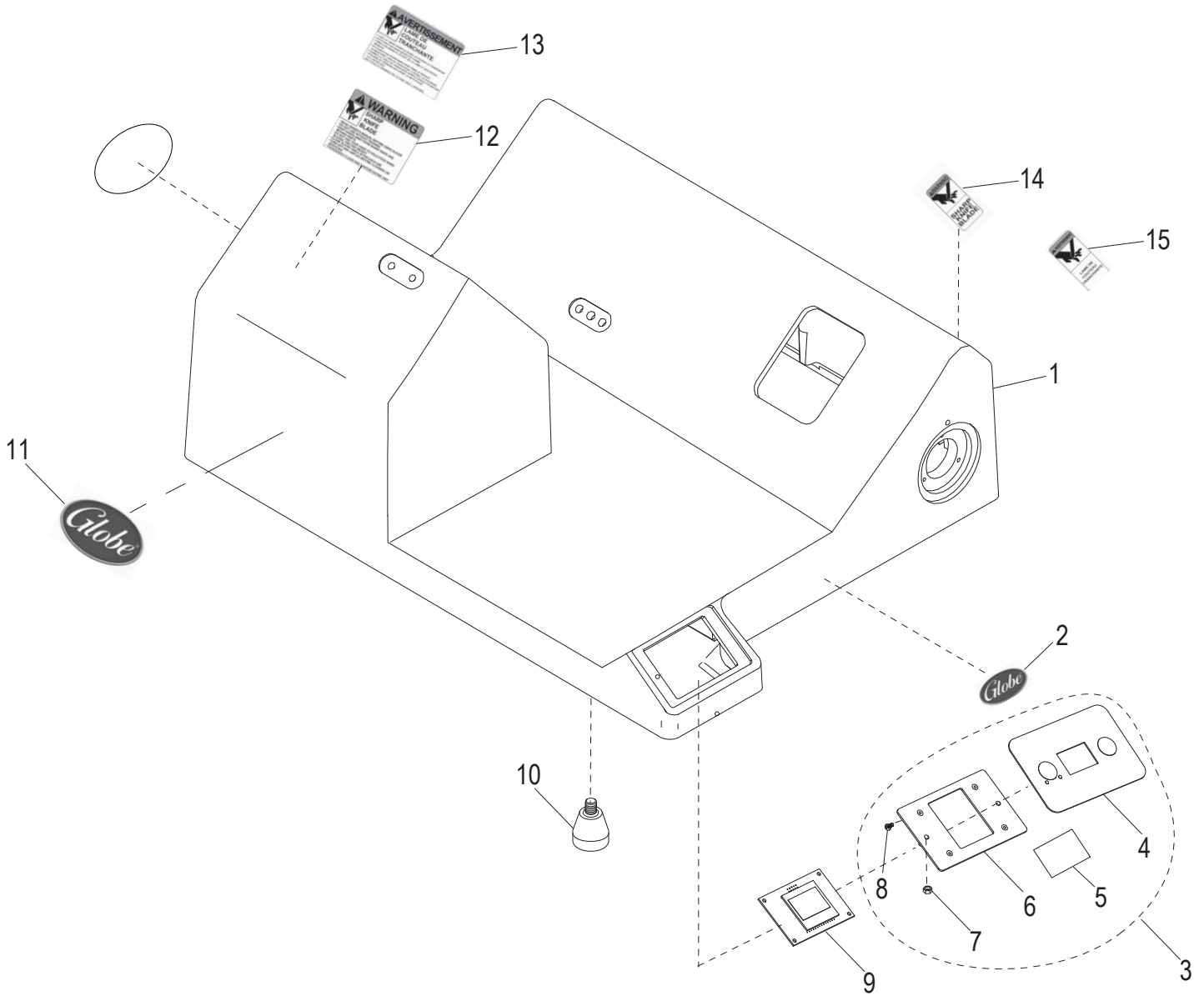


SG13 Index Knob Components

Item	Part Number	Description	Qty	Serial Number
1	500044	Index Knob Assembly (Incl. items 2-3)	1	
2	500022	Index Knob	1	
3	800136	Index Knob Tension Spring	1	
4	450214	Index Bearing Hub Assembly Kit (Incl. items 5-9)	1	
5		Index Knob Bearing Hub	1	
6	800104	Mach. Screw #10-24x5/8 Flat Hd Slotted	3	
7		Index Knob Bearing	2	
8		Spacer, Index Bearing	1	
9		Beveled Retaining Ring	1	
10	500049	Index Cam with Stop Assembly (Incl. items 11-16)	1	
11	520350	Index Cam	1	
12		Set Screw, Knurl Grip Cup Pt 1/4-28x3/4 (SST)	3	
13		Socket Cap Screw #10-32x3/4 Flat Hd (SS)	1	
14	800105	Socket Cap Screw #10-32x5/8 Button-Hd	1	
15	300054	Cam Stop	1	
16	800138	Button Hd Cap Screw #10-32 x 3/8 SST	2	



SG13 Base Shroud Components



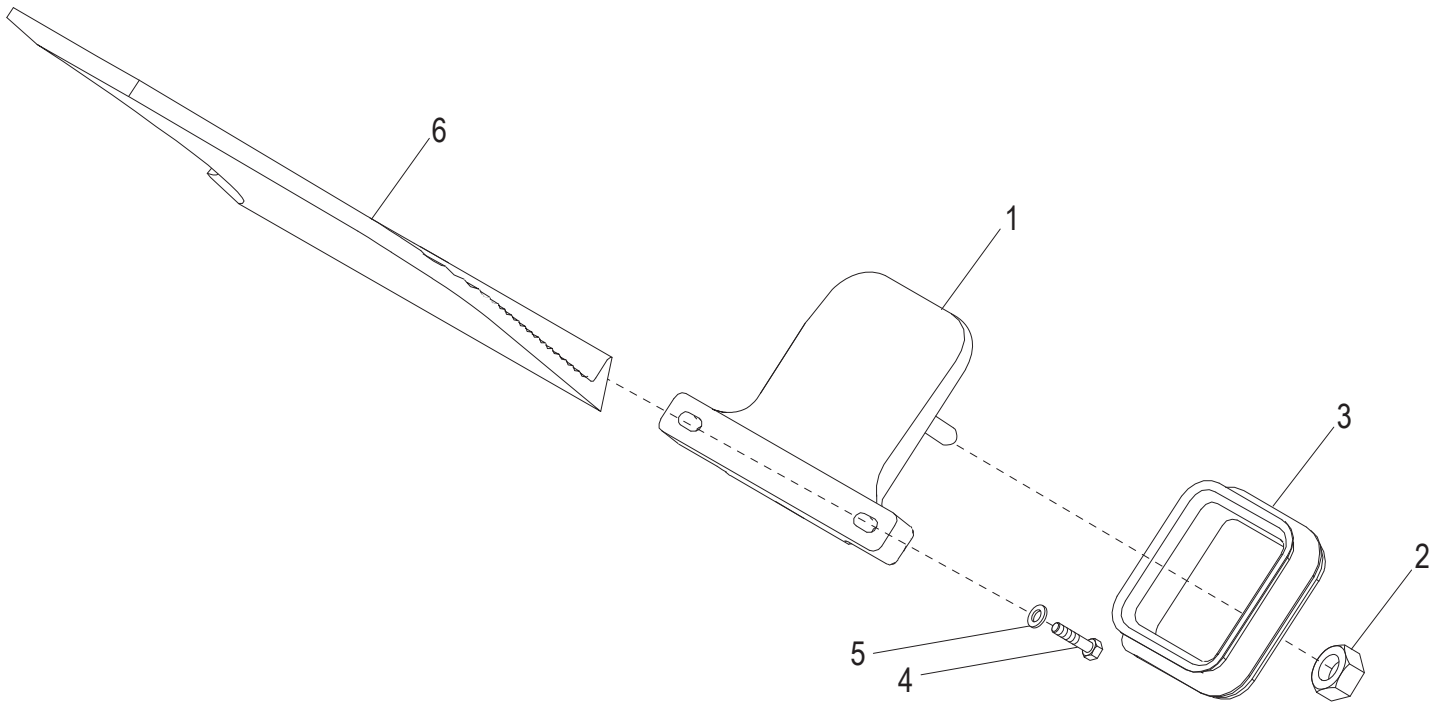


SG13 Base Shroud Components

Item	Part Number	Description	Qty	Serial Number
1		Slicer Base	1	
2	871-2	Globe Logo Decal 3.5"	1	
3	121071	Membrane Switch Kit (Incl. items 4-8)	1	
4		Membrane Switch, Smart Manual	1	
5	910088	Pad, Alcohol Prep	1	
6		User Interface Panel, Smart/Auto	1	
7	810422	Nylon Locknut 6-32	2	
8	810423	Mach. Screw #4-40 x 1/4, 18-8 PH Cr (SST)	4	
9	121062	Display Assembly	1	
10	510031	Slicer Foot	4	
11	920202	Globe Logo Decal	2	
12	920200	Warning Label, Large	1	
13	920198	Warning Label, Large French	1	
14	920201	Warning Label, Small	1	
15	920199	Warning Label, Small French	1	



SG13 Gauge Plate Components



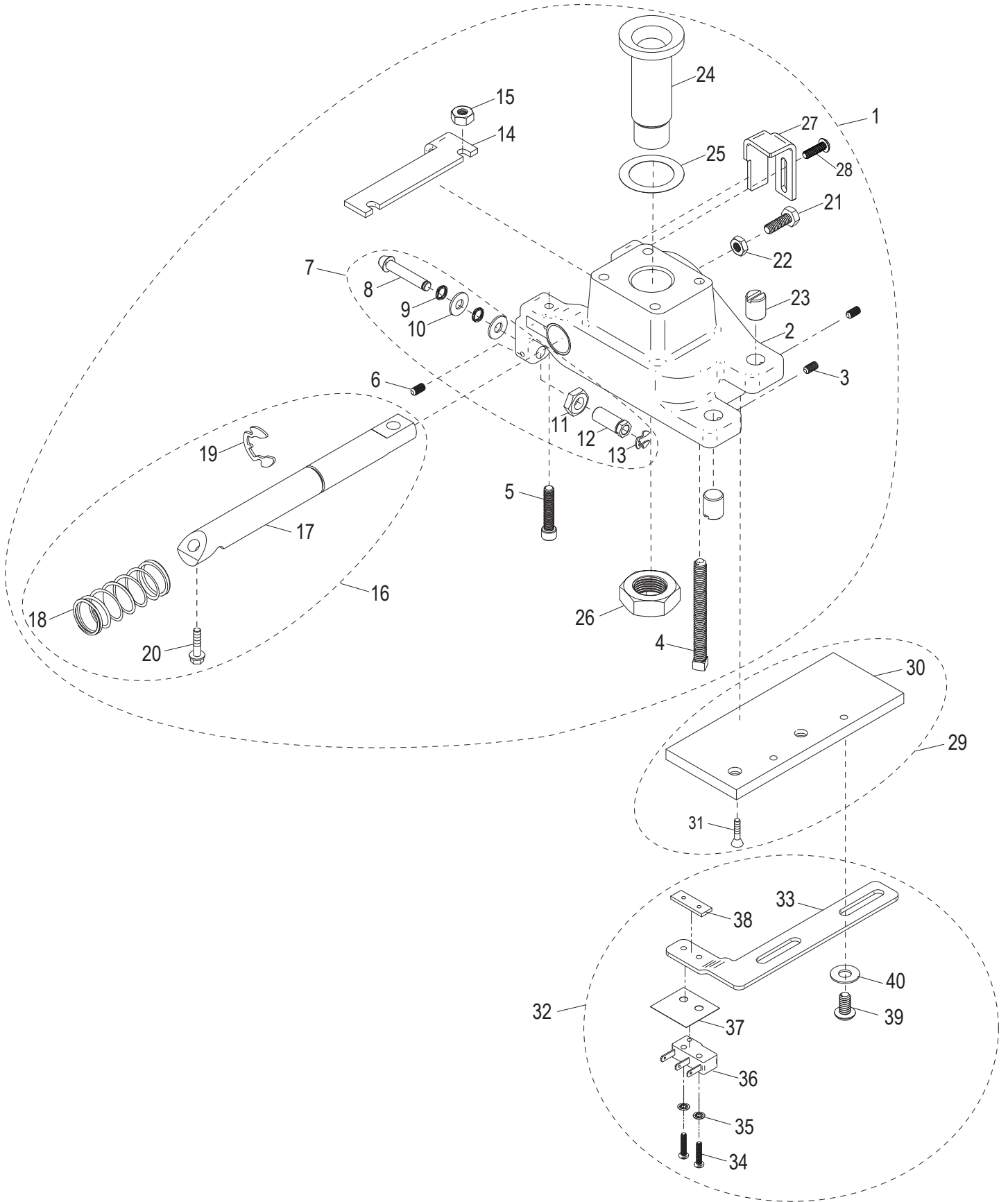


SG13 Gauge Plate Components

Item	Part Number	Description	Qty	Serial Number
1	450212	Gauge Plate Base Assembly	1	
2	450054	Post Nut, Gauge Plate Ball Joint	1	
3	500001	Gauge Plate Seal	1	
4	890411	Cap Screw 3/8-16x1-1/2, Hex Hd with Nylon Patch	2	
5	810228	Flat Washer, fits 3/8 Screw, .885 OD	2	
6	450070	Gauge Plate	1	



SG13 Index Slide Assembly Components





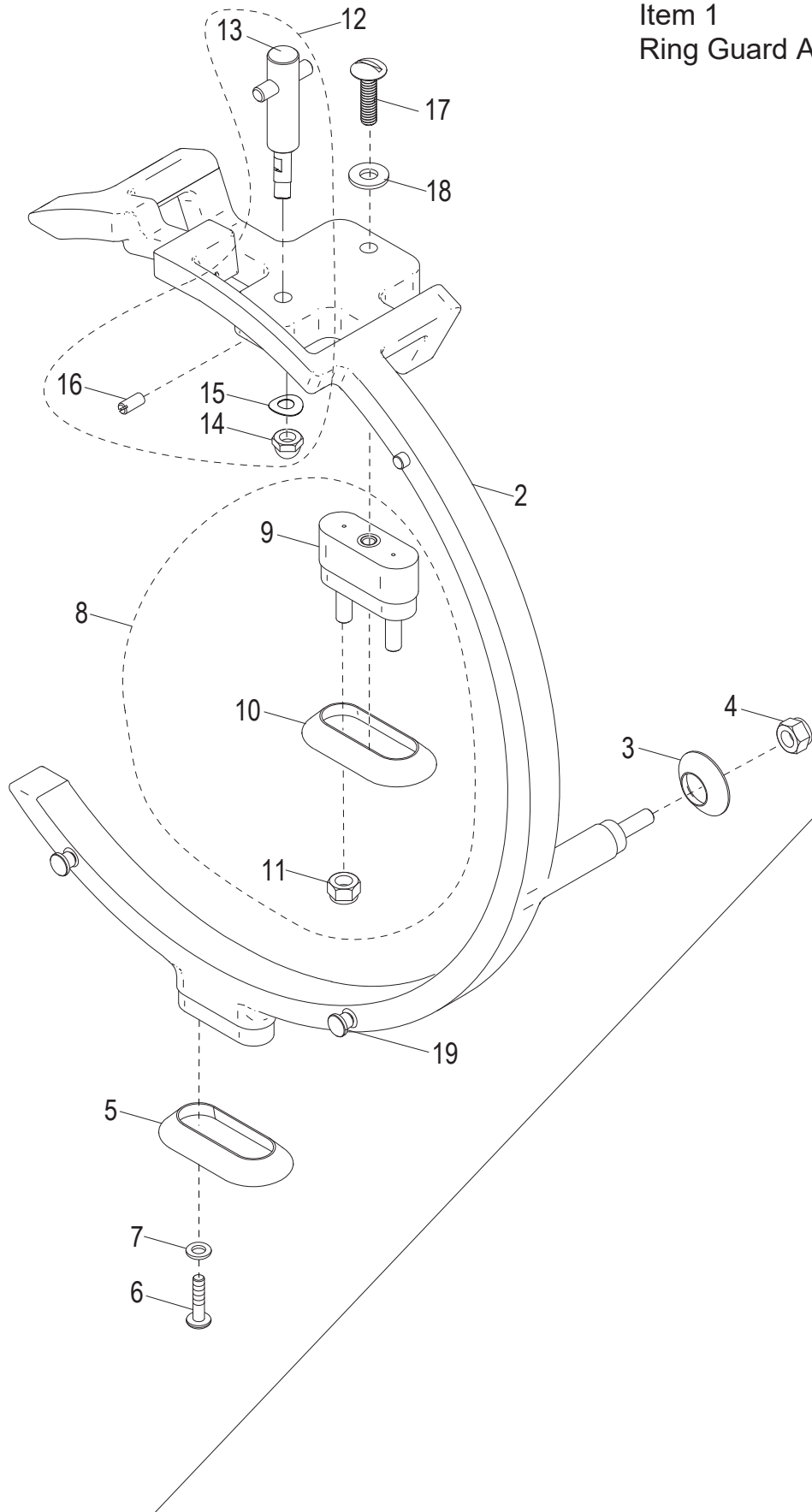
SG13 Index Slide Assembly Components

Item	Part Number	Description	Qty	Serial Number
1	400140	Index Slide Kit (Incl. items 2-28)	1	
2		Index Slide with Bushings	1	
3	810400	Set Screw #10-32x3/8 Cup Pt.	2	
4	810379	Retaining Clip Ring 5304-18	1	
5		Follower Adjustment Post	1	
6	800091	Set Screw #8-32 x 3/16 Knurled Grip - Cup Pt.	1	
7	400121	Cam Follower Kit (Incl. items 8-13)	1	
8		Follower	1	
9		Wave Spring Cam Follower	2	
10		Flat Washer .266 ID, .625 OD Type A	2	
11	810430	Jam Nut 3/8-24	1	
12	800144	Cap Screw 1/4-28x1-1/4 Socket Hd	2	
13	800146	Set Screw 5/16-18x3 Sq. Hd Cup Point	4	
14		Stop Plate, Tilt Back	1	
15	800145	Nut 1/4-28 Hex	2	
16	400122	Index Slide Shaft Kit (Incl. items 17-20)	1	
17		Index Slide Shaft	1	
18		Index Spring	1	
19	800152	Retaining Ring (Klipring) 5304-75	1	
20	800058	Washer 5/16-18-1 Hex Hd Tapping Screw	2	
21	810431	Cap Screw 1/4-20 x 3/4 Hex Hd	1	
22	810432	Nut, Thin 1/4-20 Hex	1	
23	450057	Screw, Anti-Rotation	2	
24	450050	Ball Joint Rest	1	
25	800168	Gauge Plate Spacer Kit (Kit of 4)	1	
26	800043	Nut 7/8-14 UNF Hex Jam	1	
27	300154	Adjustment Stop	1	
28	800105	Socket Cap Screw #10-32x5/8 Button-Hd	2	
29	400128	Anti-Rotation Plate Kit (Incl. items 30-31)	1	
30		Anti-Rotation Plate	1	
31	810003	Screw 1/4-20x3/4 Crossed Rec., Flat Hd, Tapping	2	
32	121079	Index Close Switch Kit (Incl. items 32-40)	1	
33		Switch Mounting Plate	1	
34		Mach. Screw #2-56x7/16 Pan Hd. Phillips	2	
35		Lock Washer #2 Internal Tooth	2	
36		Micro Switch, Pin Action	1	
37		Micro Switch Insulator	1	
38		Nut Plate	1	
39	800077	Mach. Screw #10-24x3/8 Button Hd Cap (SST)	2	
40	870087	Flat Washer (Electrical Box Mounting)	2	



SG13 Ring Guard Assembly Components

Item 1
Ring Guard Assembly



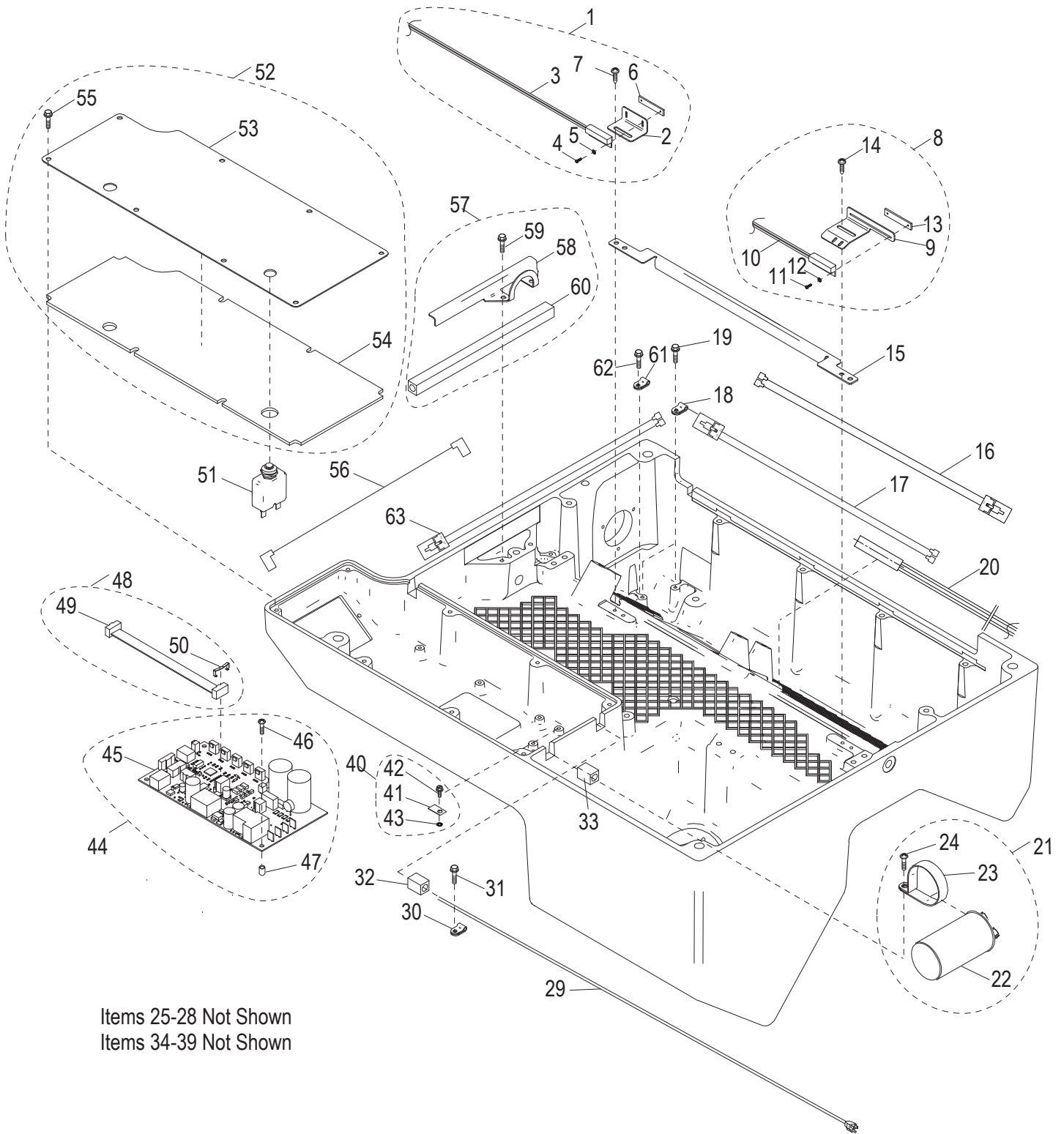


SG13 Ring Guard Assembly Components

Item	Part Number	Description	Qty	Serial Number
1	500047	Ring Guard Assembly Kit (Incl. items 2-19)	1	
2	520316	Ring Guard	1	
3	520243	Round Boot, Ring Guard	1	
4	810438	Nylon Insert Lock Nut 1/4-20	1	
5	520242	Oval Boot, Ring Guard	1	
6	810358	Mach. Screw 1/4-20x1 Truss Hd Slotted	2	
7	810345	Flat Washer 1/4 Screw Thread (18-8 SST)	2	
8	450213	Ring Guard Spacer Assembly (Incl. items 9-11)	1	
9	460064	Spacer, Ring Guard	1	
10	520242	Oval Boot, Ring Guard	1	
11	810438	Nylon Insert Lock Nut 1/4-20	2	
12	460069	Sharpener Mount Assembly Kit (Incl. items 13-16)	1	
13		Sharpener Mount Assembly	1	
14	800185	Acorn Nut, 1/4-28 SST	1	
15	800184	Washer 0.26 x 0.55 x 0.015	1	
16	810483	Slotted Set Screw 10-32	1	
17	810358	Mach. Screw 1/4-20x1 Truss Hd Slotted	1	
18	810345	Flat Washer 1/4 Screw Thread (18-8 SST)	1	
19	450130	Locator Pin	2	



SG13 Electrical Base Components



Items 25-28 Not Shown
Items 34-39 Not Shown



SG13 Electrical Base Components

Item	Part Number	Description	Qty	Serial Number
1	121083	Home Sensor Kit (Incl. items 2-7)	1	
2		Home/Cut Sensor Mount	1	
3		Sensor, Reed Switch, Carriage Home	1	
4		Mach. Screw #1-64x1/4, 18-8 Pan Hd. Phillips (SST)	2	
5		Lock Washer #2 Internal Tooth	2	
6		Nut Plate	1	
7	800069	Screw #8-32x3/8 Cross Rec. Pan Hd. Tapping	2	
8	121084-01	Cut/Auto Sensor Kit (Incl. items 8-14)	1	
9		Cut/Auto Engage Sensor Mount	1	
10		Sensor, Reed Switch, Cut Sensor	1	
11		Mach. Screw #1-64x1/4, 18-8 Pan Hd. Phillips (SST)	2	
12		Lock Washer #2 Internal Tooth	2	
13		Nut Plate	1	
14	800069	Screw #8-32x3/8 Cross Rec. Pan Hd. Tapping	2	
15	310208	Inner Wireway Cover	1	
16	100121	Wire Harness, Table Close Sensor	1	
17	100122	Wiring Harness, Automatic Switch	1	
18	110226	Clamp, Nylon Loop	2	
19	800069	Screw #8-32x3/8 Cross Rec. Pan Hd. Tapping	2	
20	110107	Harness, Reed Switch, Knife Cover Sensor	1	
21	121082-01	Capacitor Clamp Kit (Incl. items 22-24)	1	
22		Capacitor, Knife Motor (120V)	1	
23	110228	Capacitor Clamp	1	
24	800069	Screw #8-32x3/8 Cross Rec. Pan Hd. Tapping	1	
25	121082-02	Capacitor Clamp Kit (Incl. items 26-28) Not Shown	1	
26		Capacitor, Knife Motor (220V) Not Shown	1	
27	110229	Capacitor Clamp Not Shown	1	
28	800069	Screw #8-32x3/8 Cross Rec. Pan Hd. Tapping Not Shown	1	
29	130225	Power Supply Cord, 120VAC, 15A	1	
30	110227	Strain Relief, Power Cord	1	
31	800057	Screw 1/4-20x.75 Hex Washer Hd Tapping	1	
32	510045-01	Sleeve, Large Diameter Wire	1	
33	510044-01	Sleeve, Small Diameter Wire	1	
34	130008-01	Power Cord (220V) Not Shown	1	
35		Power Supply Cord Not Shown	1	
36		Male Power Plug, Europe CEE7/7, 50Hz Not Shown	1	
37	130008-02	Power Cord (220V) Not Shown	1	
38		Power Supply Cord Not Shown	1	
39		Three Blade Male Plug, NEMA 3-15, 60Hz Not Shown	1	
40	121080	Ground Location Tab Kit (Incl. items 41-43)	1	
41		Tab, Ground Location	1	
42		Screw, Green #8-32x5/16" Slotted Hex Hd Washer	1	
43		Lock Washer #8 External Tooth	1	
44	121086-01	Control Board Kit (Incl. items 45-47)	1	
45		Control Board Assembly	1	
46	800175	Screw #8-32x3/4 Crossed Recessed Tapping	4	
47	810450	Self Retaining Spacer	4	
48	121081	Ribbon Cable Kit (Incl. items 49-50)	1	
49		Ribbon Cable Assembly	1	
50		Retaining Clip, Ribbon Cable	2	
51	140017-01	Circuit Breaker (120V)	1	
51	140017-02	Circuit Breaker (220V) Not Shown	1	
52	300063	Electronics Cover & Gasket Kit (Incl. items 53-55)	1	



SG13 Electrical Base Components

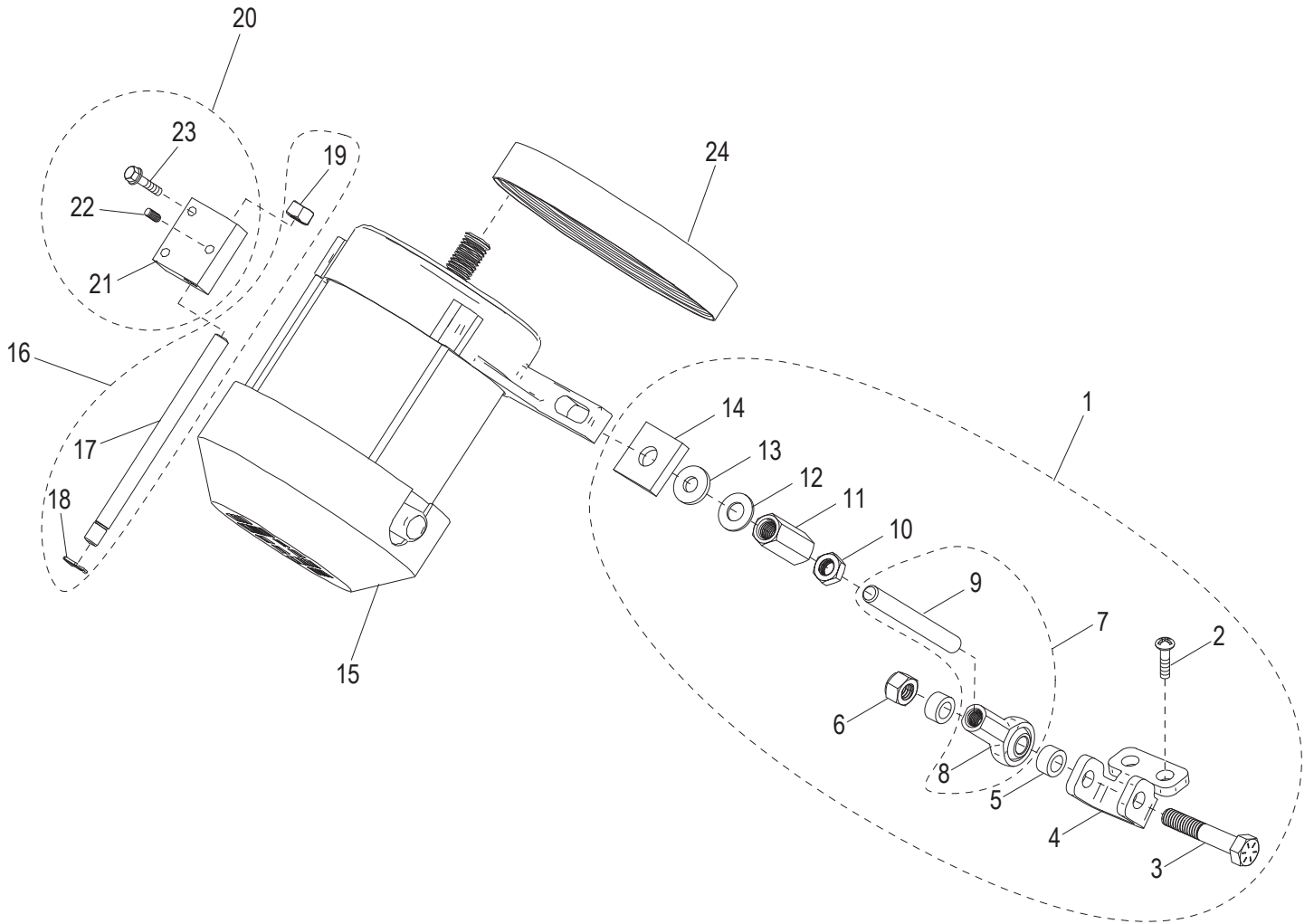
Item	Part Number	Description	Qty	Serial Number
53		Cover, Electronics	1	
54		Gasket, Electronic Cover	1	
55	800067	Screw #10-24x1/2 Hex Washer Hd Tapping	8	
56	100125	Wire Harness, Circuit Breaker	1	
57	300067	Front Wireway Cover Kit (Incl. items 58-60)	1	
58		Cover, Front Wireway	1	
59	800067	Screw #10-24x1/2 Hex Washer Hd Tapping	2	
60	510045-02	Sleeve, Large Diameter Wire	1	
61	110230	Nylon Loop Clamp 5/16	1	
62	800069	Screw #8-32x3/8 Cross Rec. Pan Hd. Tapping	1	
63	100120	Wiring Harness, Carriage Tilt Sensor	1	



INTENTIONALLY LEFT BLANK PAGE



SG13 Knife Drive Motor Components



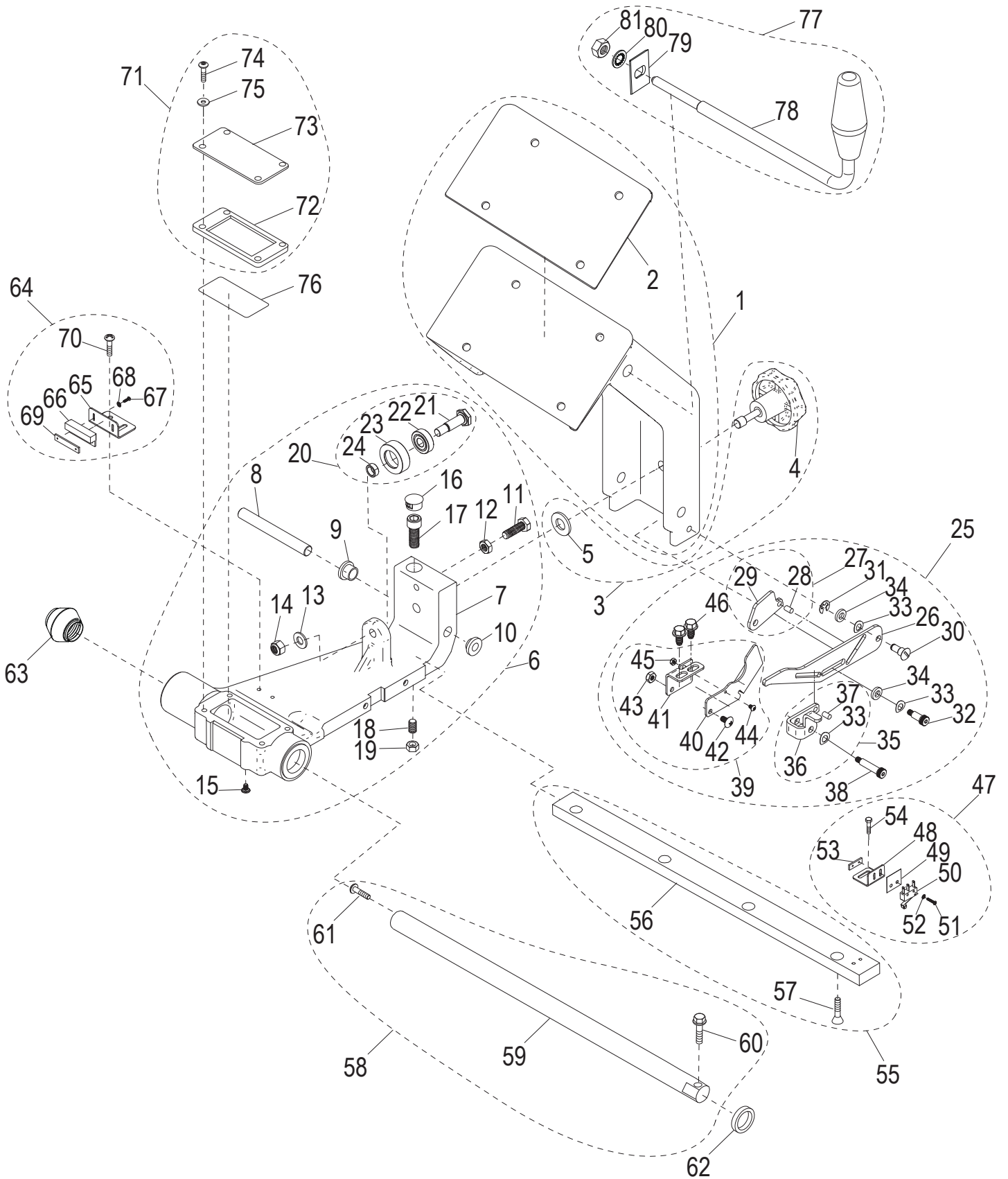


SG13 Knife Drive Motor Components

Item	Part Number	Description	Qty	Serial Number
1	400124	Knife Tensioner Kit (Incl. items 2-14)	1	
2	800135	Thread Forming Screw 1/4-20x5/8 PHP	2	
3		Cap Screw, 5/16-18x1.75 Hx Hd	1	
4		Knife Motor Tensioner Bracket	1	
5		Sleeve Spacer	2	
6	810420	Nyloc Nut 5/16-18, Grade 5	1	
7	400125	Threaded Ball Joint, Knife Tensioner (Incl. items 8-9)	1	
8		Ball Joint Rod End 5/16'-24 Thd	1	
9		Tension Shaft 5/16-24 x 3 Full Thread	1	
10		Nut 5/16-24 UNF Zinc Plated Steel Hex Jam	1	
11		Nut 5/16-24x1 Hex Coupling	1	
12	810416	Flat Washer 5/16 (Zinc)	1	
13	810417	Washer 5/16 Neoprene	1	
14	800161	Washer 5/16 Leveling	1	
15	120158-01	Knife Drive Motor, Single Phase, 120V, 60Hz	1	
15	120158-02	Knife Drive Motor, Single Phase, 220V, 60Hz Not Shown	1	
15	120158-03	Knife Drive Motor, Single Phase, 220V, 50Hz Not Shown	1	
16	400113	Motor Mount Pivot Rod Assembly (Incl. items 17-191)	1	
17		Motor Mount Pivot Rod	1	
18	810429	Retaining Ring, 5304-31 (Klipring)	1	
19	810420	Nyloc Nut 5/16-18, Grade 5	1	
20	400123	Motor Pivot Block Kit (Incl. items 21-23)	1	
21		Motor Pivot Block	1	
22	800094	Set Screw #10-32x1/4, Knurl-Grip Cup Pt.	1	
23	800068	Washer #10-24x1 Hex Hd Tap. Screw Slotted	2	
24	800092	Knife Drive Belt	1	



SG13 Transport Arm Assembly Components





SG13 Transport Arm Assembly Components

Item	Part Number	Description	Qty	Serial Number
1	400129	Carriage Arm & Gasket Kit (Incl. item 2)	1	
2	500004	Carriage Arm Gasket	1	
3	500052	Carriage Knob & Captive Clip Kit (Incl. items 4-5)	1	
4		Carriage Arm Tie Down Knob	1	
5	800180	Washer, Nylon	1	
6	400115	Transport Replacement Assembly (Incl. items 7-24)	1	
7		Transport with Bushings	1	
8	400017	Transport Attachment Pin	1	
9		Shoulder Washer .51 IDx.88 Nylon	1	
10		Shoulder Washer .51 IDx1.125 Nylon	1	
11	810406	Hex Cap Screw 5/16-24x1,18-8 (SST)	1	
12		Shoulder Washer .51 IDx1.125 Nylon	1	
13	810272	Flat Washer 5/16 x .63	1	
14	810420	Nyloc Nut 5/16-18, Grade 5	1	
15		Mach. Sealing Screw 8-32x1/4 PH Phillips	1	
16		Dome Plug for 5/8 Hole	1	
17		Socket Hd Cap Screw 3/8-16 x 1 (SST)	1	
18	800015	Transport Tie Down Screw	1	
19	800048	Nut 5/16-24 Hex UNF Thread (Zinc Plated Steel)	1	
20	800014	Roller Bearing Assembly (Incl. items 21-24)	1	
21		Roller Bearing Bolt	1	
22		Roller Bearing	1	
23		Bearing Sleeve	1	
24		Spacer Sleeve	1	
25	300061	Table Interlock Kit (Incl. items 26-46)	1	
26		Transport Slide Lock Plate	1	
27		Lock Plate Assembly	1	
28		Lock Plate	1	
29		Dowel Pin, 5/32 x 5/16 (SST)	1	
30		Reverse Shoulder Bolt	1	
31		E-Clip Retaining Ring for 1/4" Shaft	1	
32		Shoulder Bolt 1/4" x 1/2", #10-32 Thread	1	
33		Curved Disk Spring .265 ID,.490 OD,.011 Thick	3	
34		Washer, Nylon .265 ID, .50 OD, .094 Thick	2	
35		Cam Lock Plate Assembly (Incl. items 36-37)	1	
36		Cam Lock Plate	1	
37		Dowel Pin, 5/32 x 5/16 (SST)	1	
38		Shoulder Bolt 1/4" x 1", #10-32 Thread	1	
39		Lock Out Assembly (Incl. items 40-45)	1	
40		Pivot Stop Plate	1	
41		Slide Pivot Plate Bracket	1	
42	810457	Mach. Screw, #10-32 x 1/2 Phil Truss	1	
43	810458	Nut #10-32 Thin Nylon Lock Hex	1	
44		Mach. Screw #5-40 x 1/2 Button Socket Cap	1	
45	800170	Hex Nut, Nylon Lock #5-40	1	
46	800057	Screw 1/4-20x.75 Hex Washer Hd Tapping	2	
47	121089	Carriage Tilt Switch Kit (Incl. items 48-54)	1	
48		Carriage Tilt Back Sensor Mount	1	
49		Micro Switch Insulator	1	
50		Micro Switch	1	
51		Mach. Screw #2-56x7/16 Pan Hd. Phillips	2	
52		Lock Washer #2 Internal Tooth	2	
53		Nut Plate	1	



SG13 Transport Arm Assembly Components

Item	Part Number	Description	Qty	Serial Number
54	800099	Mach. Screw #8-32x3/8 Hex Hd	2	
55	400131	Transport Roller Bar Kit (Incl. items 56-57)	1	
56		Transport Roller Bar	1	
57	810004	Tapping Screw 1/4-20x1 Cross Rec. FH	4	
58	400132	Transport Shaft Kit (Incl. items 59-61)	1	
59		Transport Shaft	1	
60	800059	Washer 5/16-18x1.25 Hex Hd Tapping Screw	1	
61	800071	Mach. Screw 5/16-18x1 Truss Hd Slotted	1	
62	500005	Transport Bumper	1	
63	800131	Sleeved Spring Assembly	1	
64	121090	Carriage Magnet Kit (Incl. items 65-70)	1	
65		Transport Switch Magnet Mount	1	
66		Magnet	1	
67		Mach. Screw #1-64x1/4, 18-8 Pan Hd. Phillips (SST)	2	
68		Lock Washer #2 Internal Tooth	2	
69		Nut Plate	1	
70	800069	Screw #8-32x3/8 Cross Rec. Pan Hd. Tapping	2	
71	300064	Transport Cover Kit (Incl. items 72-75)	1	
72	510058	Oil Well Gasket	1	
73	300080	Transport Cover	1	
74	800109	Screw 1/4-20x.50 Button Hd Cap	4	
75		Washer 1/4 Flat	4	
76	800053	Felt Insert	1	
77	400114	Carriage Arm Handle Assembly with Nut (Incl. items 78-81)	1	
78		Carriage Arm Handle	1	
79	400155	Anti Rotation Block	1	
80	810226	Lock Washer, 1/2 Screw Size, Internal Tooth	1	
81	810224	Hex Nut, 1/2-13 Left Hand, Thread	1	

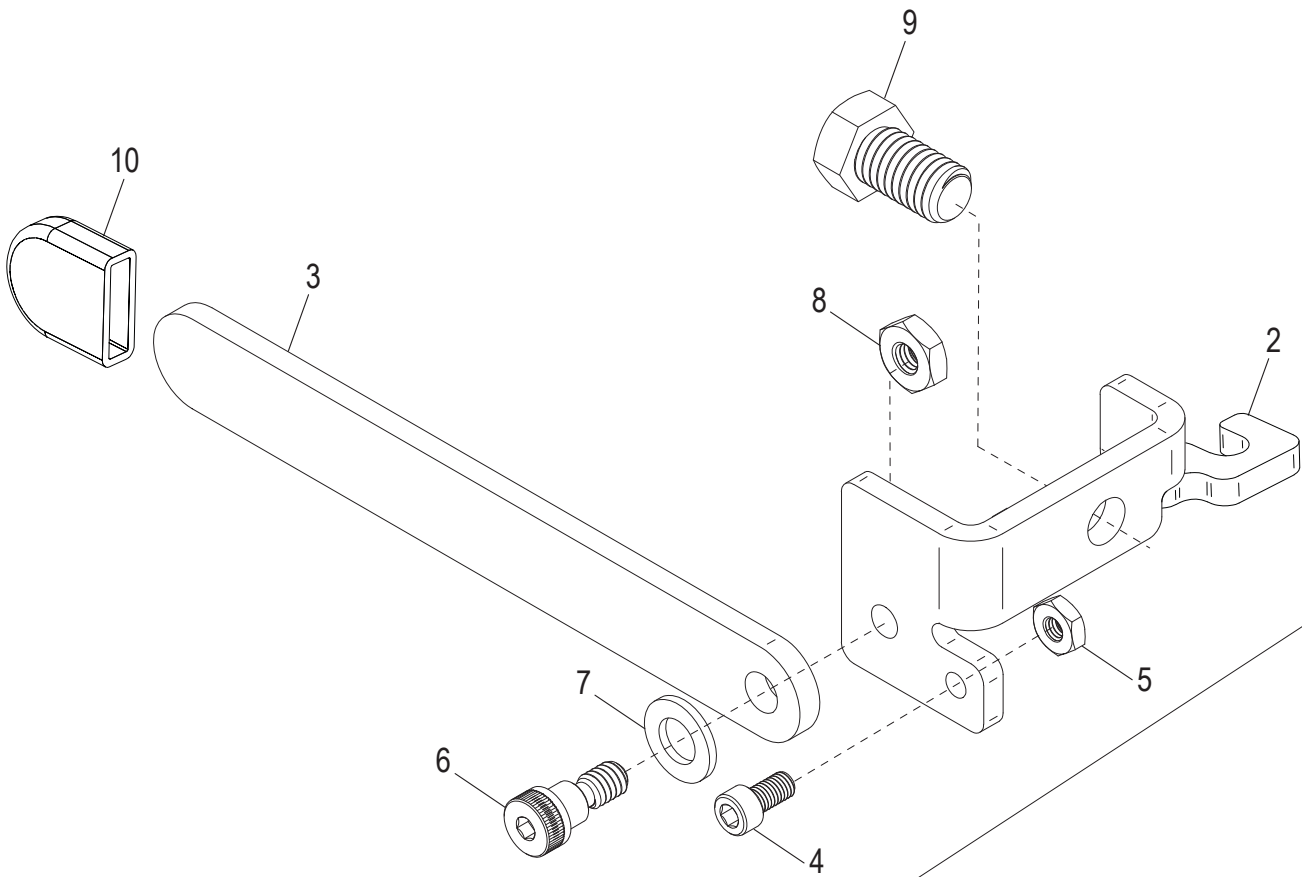


INTENTIONALLY LEFT BLANK PAGE



SG13 Lift Lever Base Components

Item 1 Manual Kickstand Assembly





SG13 Lift Lever Base Components

Item	Part Number	Description	Qty	Serial Number
1	300046	Manual Kickstand Assembly (Incl. items 2-10)	1	
2		Manual Kickstand Bracket	1	
3		Manual Kickstand Arm	1	
4		Socket Hd. Cap Screw #10-32 x 3/8 SST	1	
5		Hex Nut #10-32 SST	1	
6		Long Shoulder 5/16" Dia. x 1/4" Screw 1/4"-20 Thrd	1	
7	810272	Flat Washer 5/16 x .63	1	
8		Nylon-Insert Thin Hex Nut 1/4-20 SST	1	
10		Manual Kickstand Boot	1	

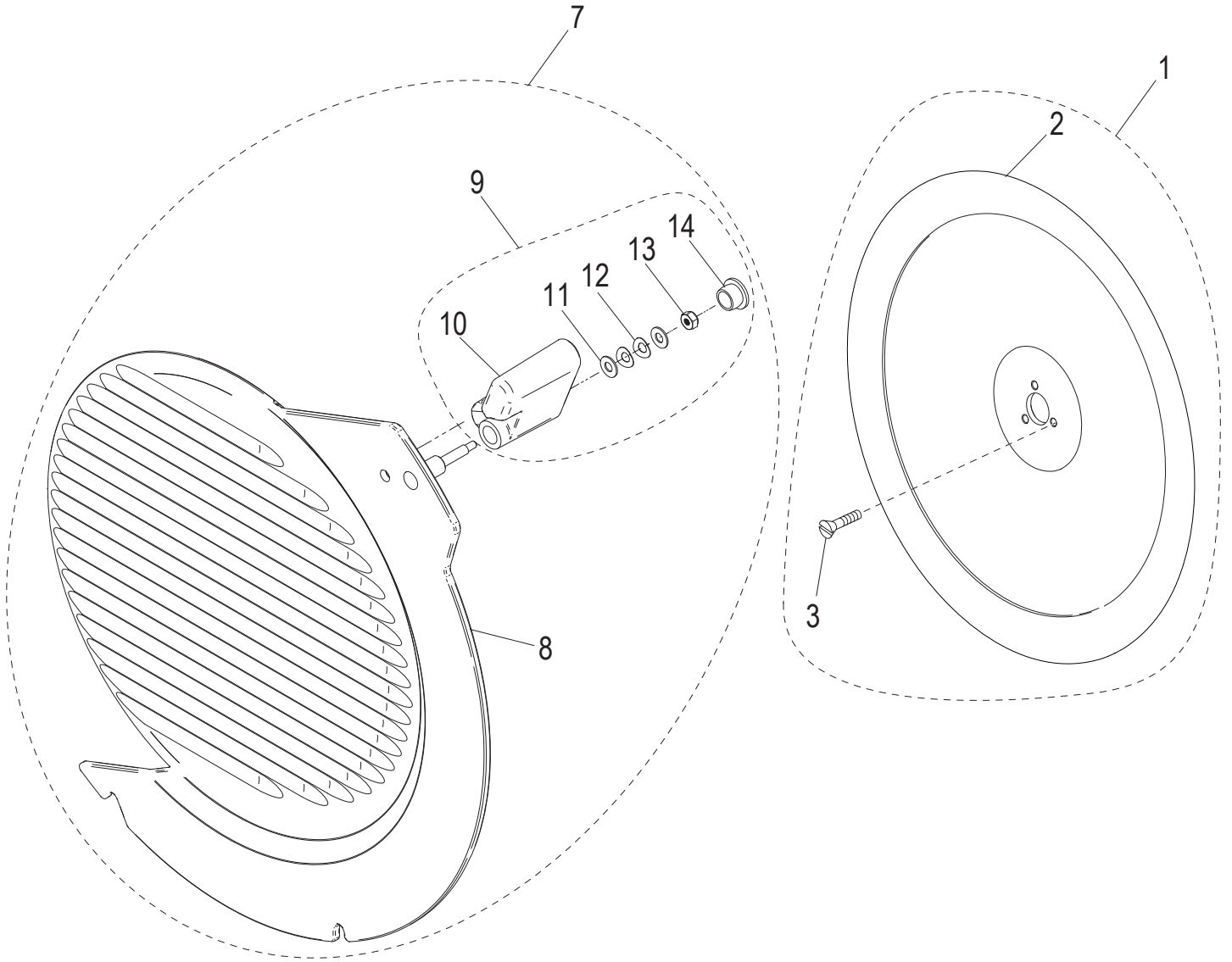


SG13 Carriage and End Weight Assembly Components

Item	Part Number	Description	Qty	Serial Number
1	400138	Carriage Assembly Kit (Incl. items 2-18)	1	
2	400012	Carriage Insert Assembly	1	
3	920196	Carriage Tilt Label	1	
4	920197	Carriage Tilt Label (French)	1	
5	800085	Washer 1/4" Screw, Self Aligning	4	
6	800188	Custom Nut, 1/4-20	4	
7	450158	End Weight Shaft Assembly	1	
8	400135	Rod Mount Kit End Weight (Incl. items 9-10)	1	
9		End Weight Rod Mount	1	
10	800037	Mach. Screw 1/4-20 x 5/8 FH Slotted	2	
11	400136	End Weight Stop Kit	1	
12		End Weight Stop	1	
13	800038	Mach. Screw 1/4-20 x 5/8 RH Slotted	2	
14	800205	Stop Pin, Delrin End Weight	1	
15	500046	Thumb Guard Assembly (Incl. items 16-18)	1	
16		Carriage Thumb Guard	1	
17	510038	Carriage Thumb Guard Gasket	1	
18	810366	Thumb Guard Screw	4	
19	500027	End Weight Assembly (Incl. items 20-26)	1	
20	420065	End Weight Arm Assembly	1	
21	500024	End Weight Handle	1	
22	800164	End Weight Face Washer Kit (Incl. items 23-24)	1	
23		Washer .04 mm thick End Weight Face	1	
24		Washer .01 mm thick End Weight Face	4	
25	500007	Molded End Weight Assembly	1	
26	800047	Delrin 1/8 Dia x 3/8 Pin	1	



SG13 Knife and Knife Cover Components



Items 4-6 Not Shown



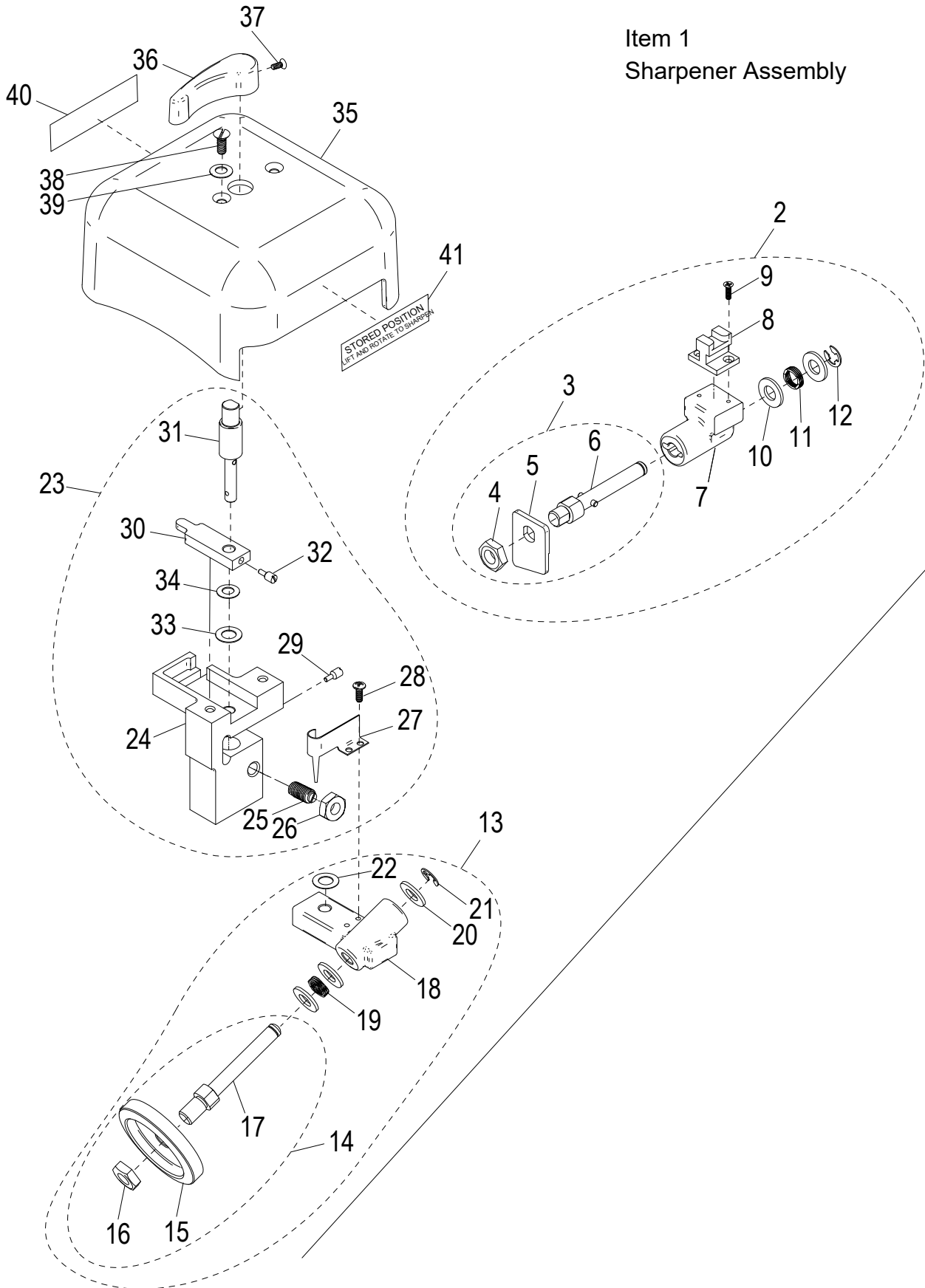
SG13 Knife and Knife Cover Components

Item	Part Number	Description	Qty	Serial Number
1	400139	Knife Kit (Incl. items 2-3)	1	
2		Knife, 13 Inch Steel	1	
3	810274	Screw, FH Slotted	3	
4	400161	Stainless Steel Knife Kit (Incl. items 5-6) Not Shown	1	
5		Knife, 13 inch (SST) Not Shown	1	
6	810274	Screw, FH Slotted Not Shown	3	
7	250247	Knife Cover Assembly (Incl. items 8-14)	1	
8	460090	Knife Cover Sub-Assembly	1	
9	500045	Knife Cover Swivel Lock Assembly (Incl. items 10-14)	1	
10		Knife Cover Swivel Lock	1	
11		Flat Washer #10 Thin Profile	2	
12		Spring Washer #10 x 0.42	2	
13		Nut, 6-32 INC-2B Hex, with Nylon Insert	1	
14	520237	Barrel Plug, Push-In	1	



SG13 Sharpener Assembly Components

Item 1
Sharpener Assembly



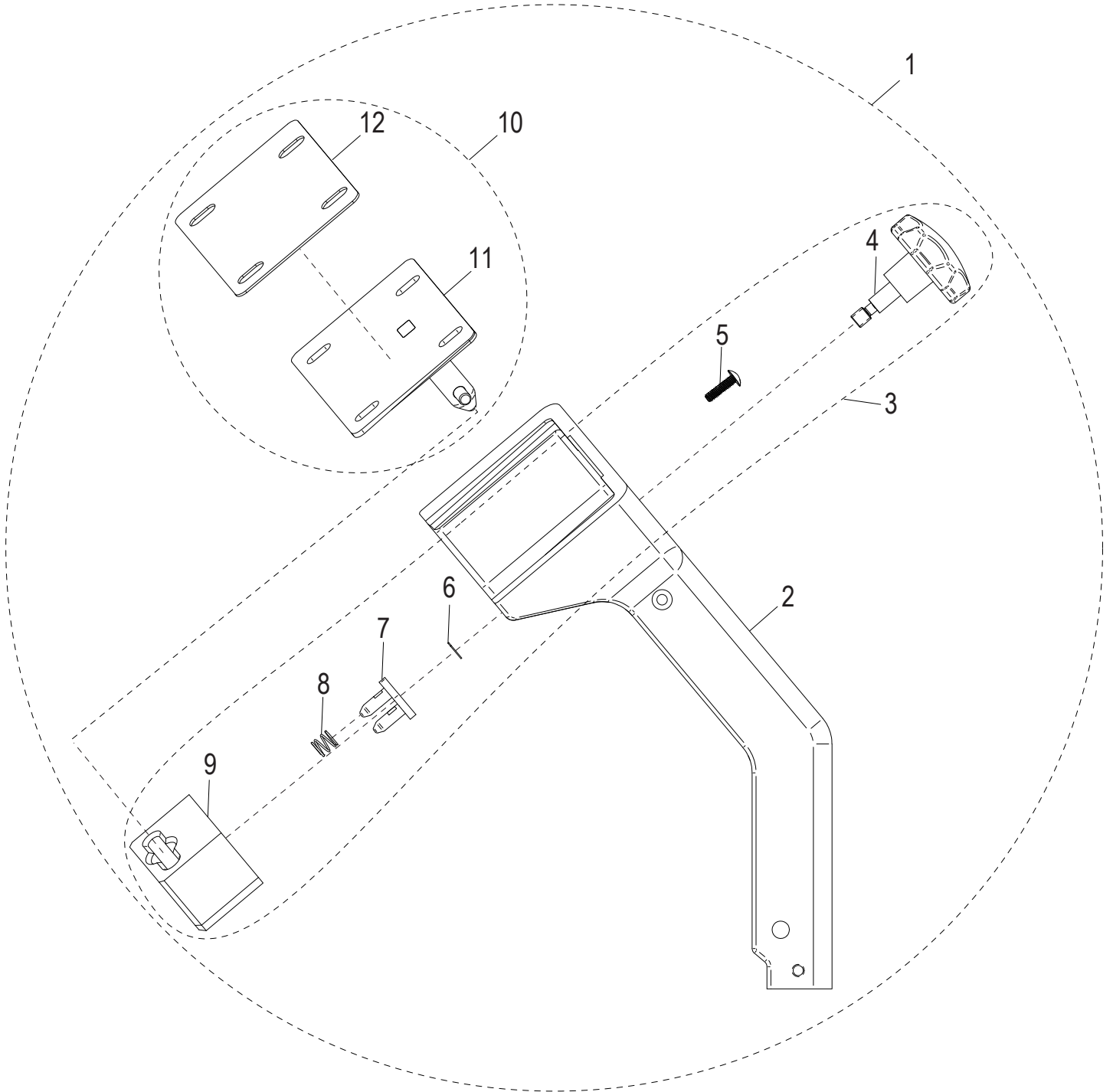


SG13 Sharpener Assembly Components

Item	Part Number	Description	Qty	Serial Number
1	440044-01	CBN Sharpener Assembly (Incl. items 2-41)	1	
2	430051-01	CBN Honing Stone Assembly (Incl. items 3-12)	1	
3		CBN Honing Stone Shaft Assembly (Incl. items 4-6)	1	
4	810430	Jam Nut 3/8-24	1	
5	240045	Honing Stone	1	
6		Honing Stone Dowel Assembly	1	
7		Honing Stone Bracket	1	
8		Honing Stone Slide	1	
9		Phillips Flat Head Screw #4-40 x 0.38	2	
10	810272	Flat Washer 5/16 x .63	2	
11		Wave Spring 0.38 x 0.49 x 0.14	1	
12		External Retaining Ring, Type E 0.243 x .50	1	
13	430052-01	CBN Sharpening Stone Assembly (Incl. items 14-22)	1	
14		CBN Sharpening Stone Shaft Assembly (Incl. items 15-17)	1	
15	410048	Sharpening Stone	1	
16	810430	Jam Nut 3/8-24	1	
17		Sharpening Stone Shaft	1	
18		Sharpening Stone Bracket	1	
19		Wave Spring 0.37 x 0.49 x 0.15	1	
20	810272	Flat Washer 5/16 x .63	3	
21		External Retaining Ring, Type E 0.243 x .50	1	
22	810437	Flat Washer 5/16 x 0.57	1	
23	400137	Sharpener Mount Center Kit (Incl. items 24-34)	1	
24	430053	Sharpener Center Mount Assy	1	
25		Slotted Ball Plunger, 1/4-28 x 0.531	1	
26		Jam Nut, 1/4-28	1	
27		Sharpener Return Spring	1	
28		Phillips Pan Head Screw #6-32x0.375	2	
29		Slotted Dog Poing Set Screw #10-32 x 0.45	1	
30		Honing Stone Lever	1	
31		Sharpener Handle Shaft	1	
32		Slotted Dog Poing Set Screw #10-32 x 0.45	1	
33	810437	Flat Washer 5/16 x 0.57	1	
34	800184	Washer 0.26 x 0.55 x 0.015	1	
35	250069	Sharpener Cover	1	
36	500070	Sharpener Handle, Top	1	Refer to Serial Number Document
36	510041	Sharpener Handle, Top	1	Refer to Serial Number Document
37	800223	Phillips Flat Head Screw #8-32 x 0.375	1	Refer to Serial Number Document
37	810233	Mach. Screw 8-32x1/2 Black, Phillips, w/Nylon Patch	1	Refer to Serial Number Document
38	810246	Slotted Truss Head Screw #10-32 x 0.50	1	
39		Spring Washer #10 x 0.42	1	
40	920215	Label, Sharpen Position	2	
41	920216	Label, Stored Position	2	



SG13 Removable Carriage Components - Option



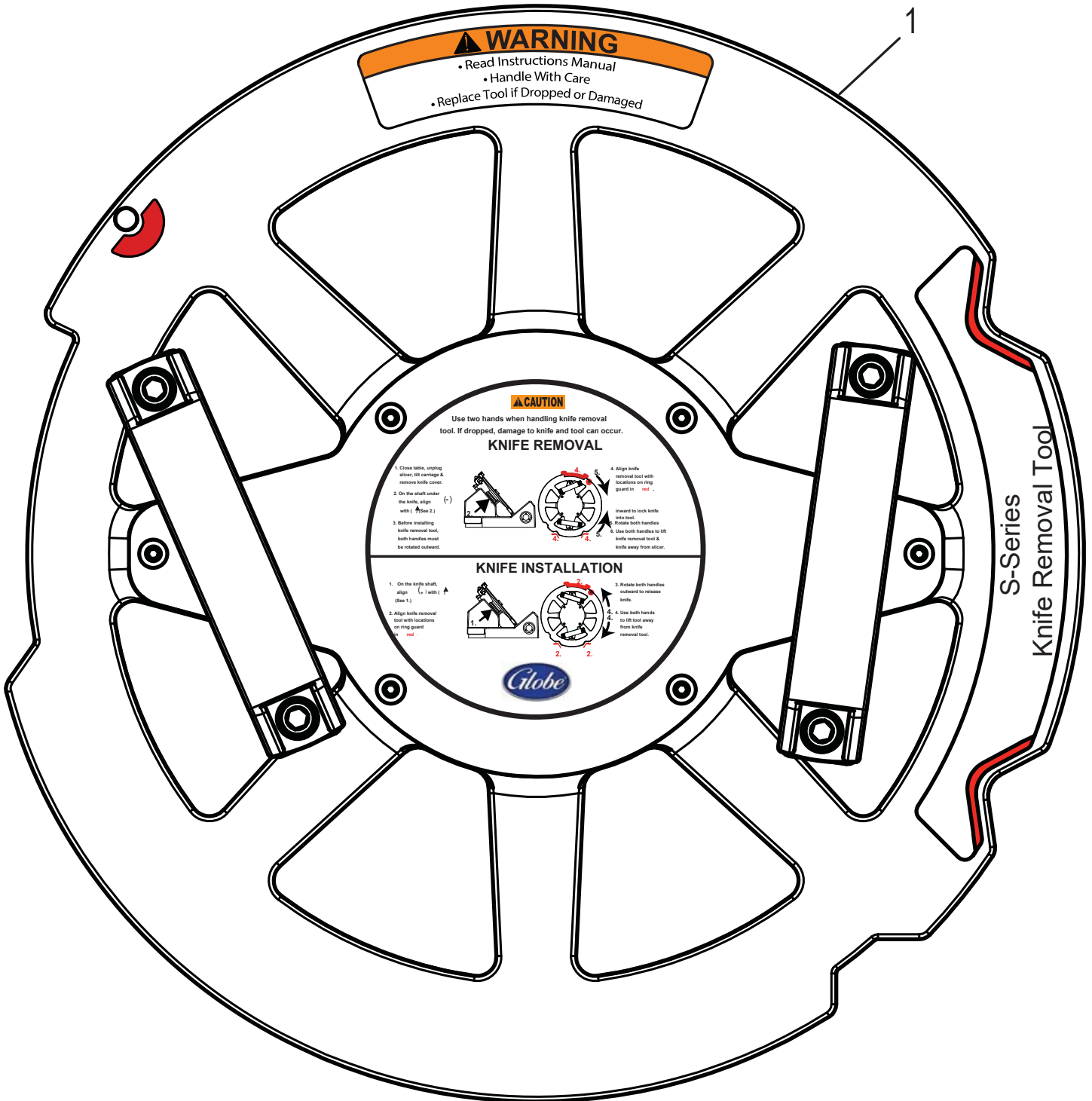


SG13 Removable Carriage Components - Option

Item	Part Number	Description	Qty	Serial Number
1	450221	Removable Carriage Arm Assembly Kit	1	
2	450217	Carriage Arm for Removable Carriage	1	
3	450220	Removable Carriage Machanism Assembly Kit	1	
4	500056	Removable Carriage Knob Assembly	1	
5	810358	Mach. Screw 1/4-20x1 Truss Hd Slotted	2	
6		Lock Out Assembly	1	
7		Compression Spring	2	
8		E-Clip Retaining Ring for 1/4" Shaft	1	
9	420103	Guide Block	1	
10	450219	Removable Carriage Attachment Assembly Kit	1	
11		Carriage Attachment Assembly	1	
12	500057	Removable Carriage Gasket	1	



SG13 Knife Removal Tool - Option



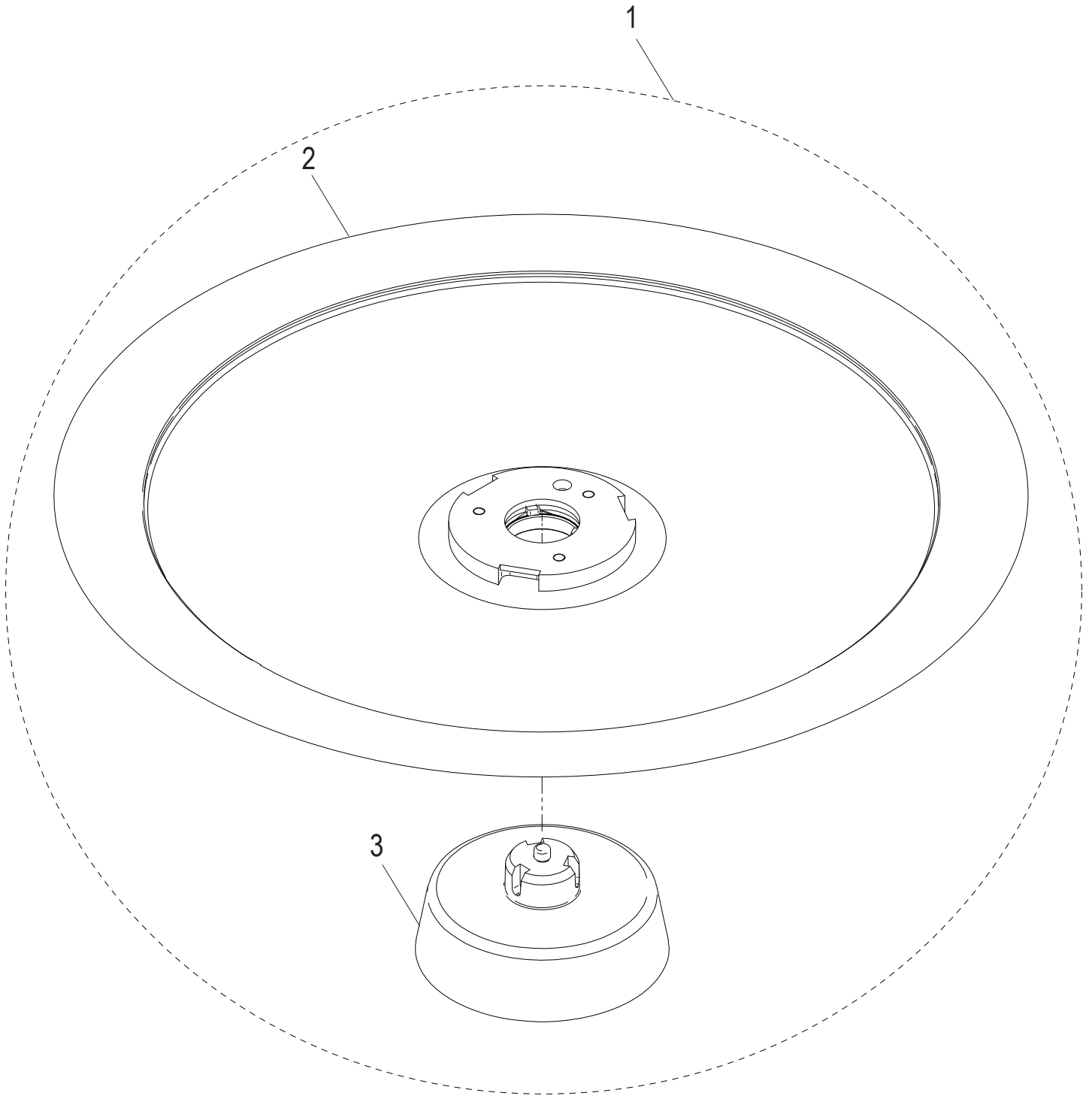


SG13 Knife Removal Tool - Option

Item	Part Number	Description	Qty	Serial Number
1	450200	Removable Knife Tool Assembly	1	



SG13 Removable Knife Kit - Option



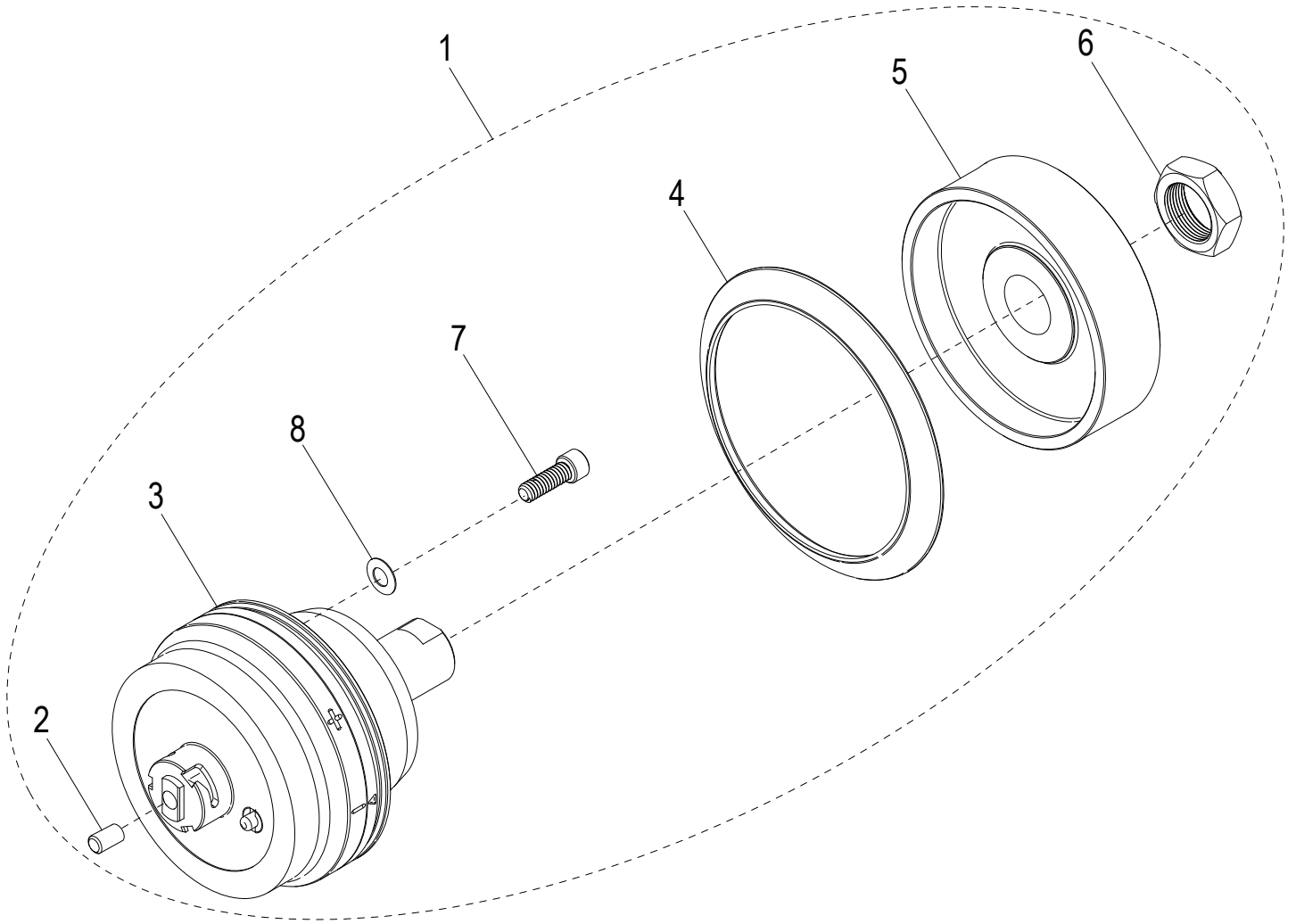


SG13 Removable Knife Kit - Option

Item	Part Number	Description	Qty	Serial Number
1	450222-01	Removable Knife Kit	1	
2		Knife, 13" Removable	1	
3		Post, Service Knife Release	1	
4	450222-03	Removable Knife Kit, SST (Not Shown)	1	
5		Knife, 13" SST Removable (Not Shown)	1	
6		Post, Service Knife Release (Not Shown)	1	



SG13 Removable Knife Drive Kit - Option



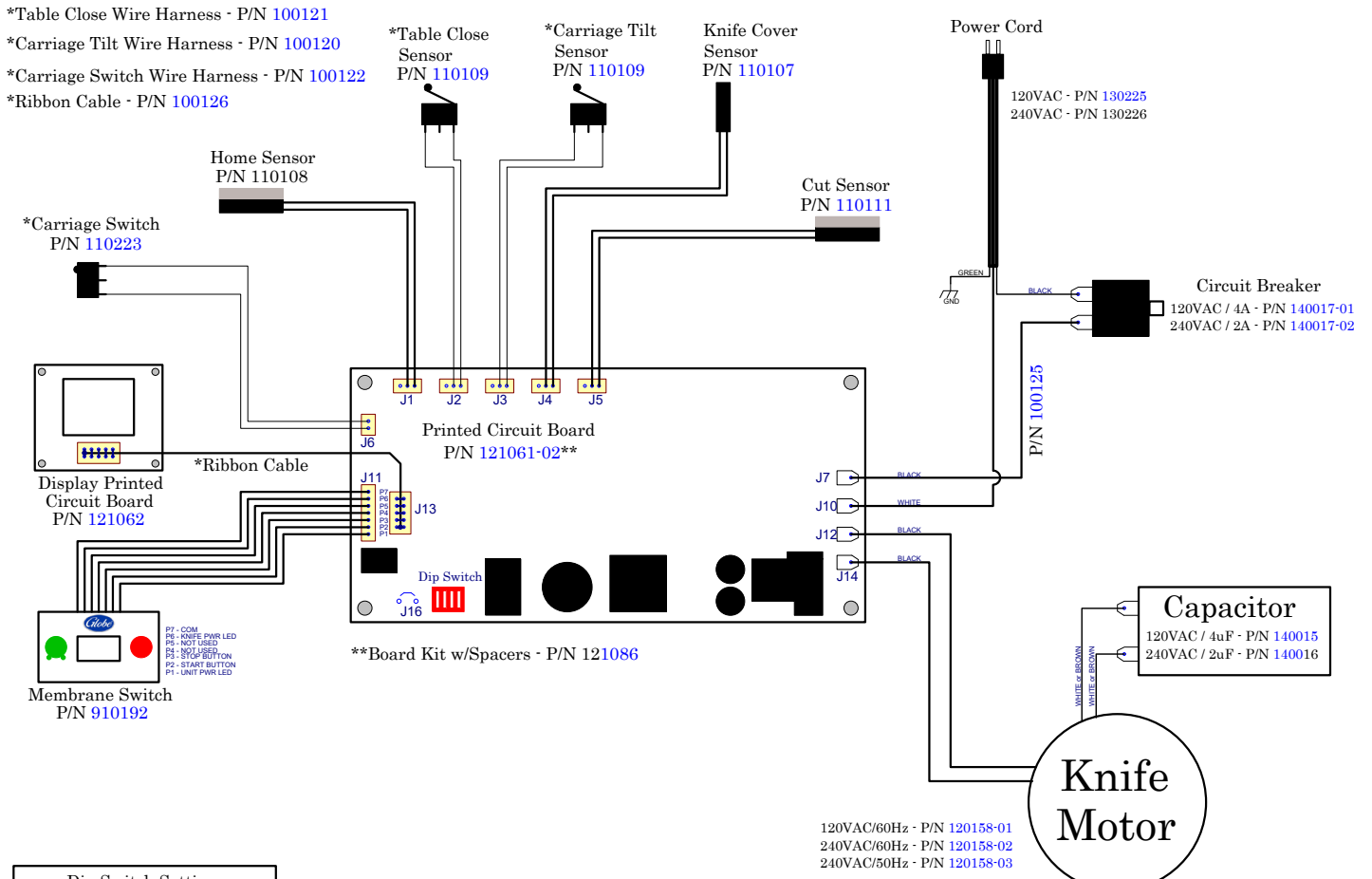


SG13 Removable Knife Drive Kit - Option

Item	Part Number	Description	Qty	Serial Number
1	450226-01	Removable Knife Drive Kit	1	
2	1193	Plug	1	
3		Shaft, Removable Knife Drive	1	
4	520244	Knife Drive Boot	1	
5	450115	Knife Drive Pulley	1	
6	510033	Nut 7/8-20 Hex (Zinc)	1	
7	810229	Socket Hd. 1/4-20x3/4 Cap Screw, SST	4	
8	810275	Bellville Disc Spring Washer .255 ID x .50 OD	4	



SG13 Wiring Schematic



Dip Switch Setting

SG13 Manual