

Parts Catalog



SG13A-22

Arby's S-Series Slicer Automatic

Model: **SG13A-22**

01/26/2026 Rev. AH

IMPORTANT!

TO EXPEDITE SHIPMENT OF PARTS, ALWAYS SPECIFY MODEL, REV,
PART NUMBER, AND SERIAL NUMBER OF UNIT.

GLOBE FOOD EQUIPMENT COMPANY

2215 East River Road
Dayton, Ohio 45439

Parts Department

Toll Free 1-800-745-6238

E-Mail: info@globefoodequip.com

Website: www.globefoodequip.com

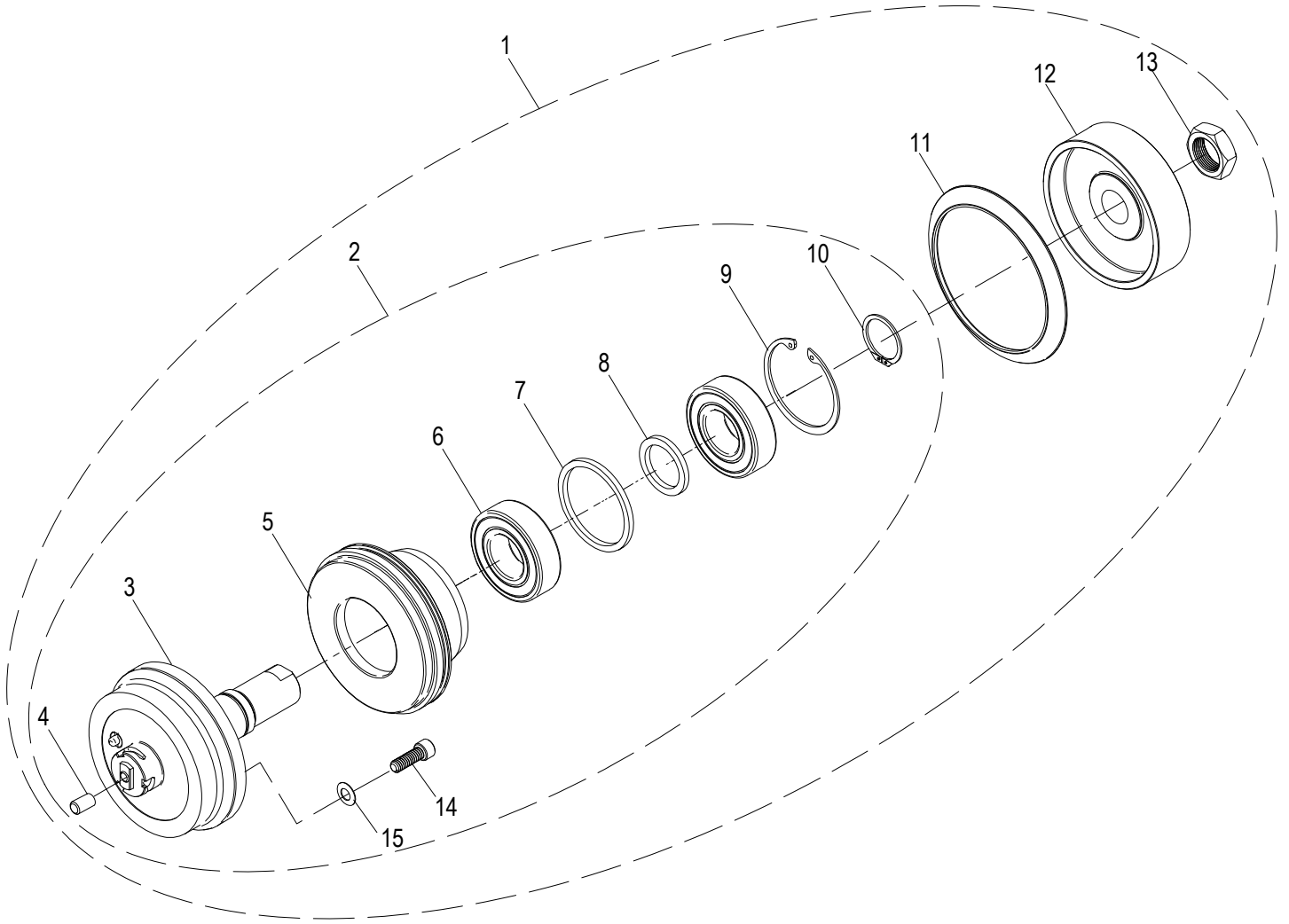
Not for resale

Table of Contents

Description	Page
SG13A-22 Removable Knife Drive Components	4
SG13A-22 Index Knob Components	6
SG13A-22 Base Shroud Components	8
SG13A-22 Gauge Plate Components	10
SG13A-22 Auto Engage Lever Components	12
SG13A-22 Index Slide Assembly Components	14
SG13A-22 Ring Guard Assembly Components	16
SG13A-22 Electrical Base Components	18
SG13A-22 Knife Drive Motor Components	22
SG13A-22 Transport Arm Assembly Components	24
SG13A-22 Automatic Drive Assembly Components	28
SG13A-22 Automatic Lift Lever Base Components	30
SG13A-22 Carriage and End Weight Assembly Components	32
SG13A-22 Knife and Knife Cover Components	34
SG13A-22 Sharpener Assembly Components	36
SG13A-22 Removable Carriage Components	38
SG13A-22 Knife Removal Tool	40
SG13A-22 Wiring Schematic	42



SG13A-22 Removable Knife Drive Components



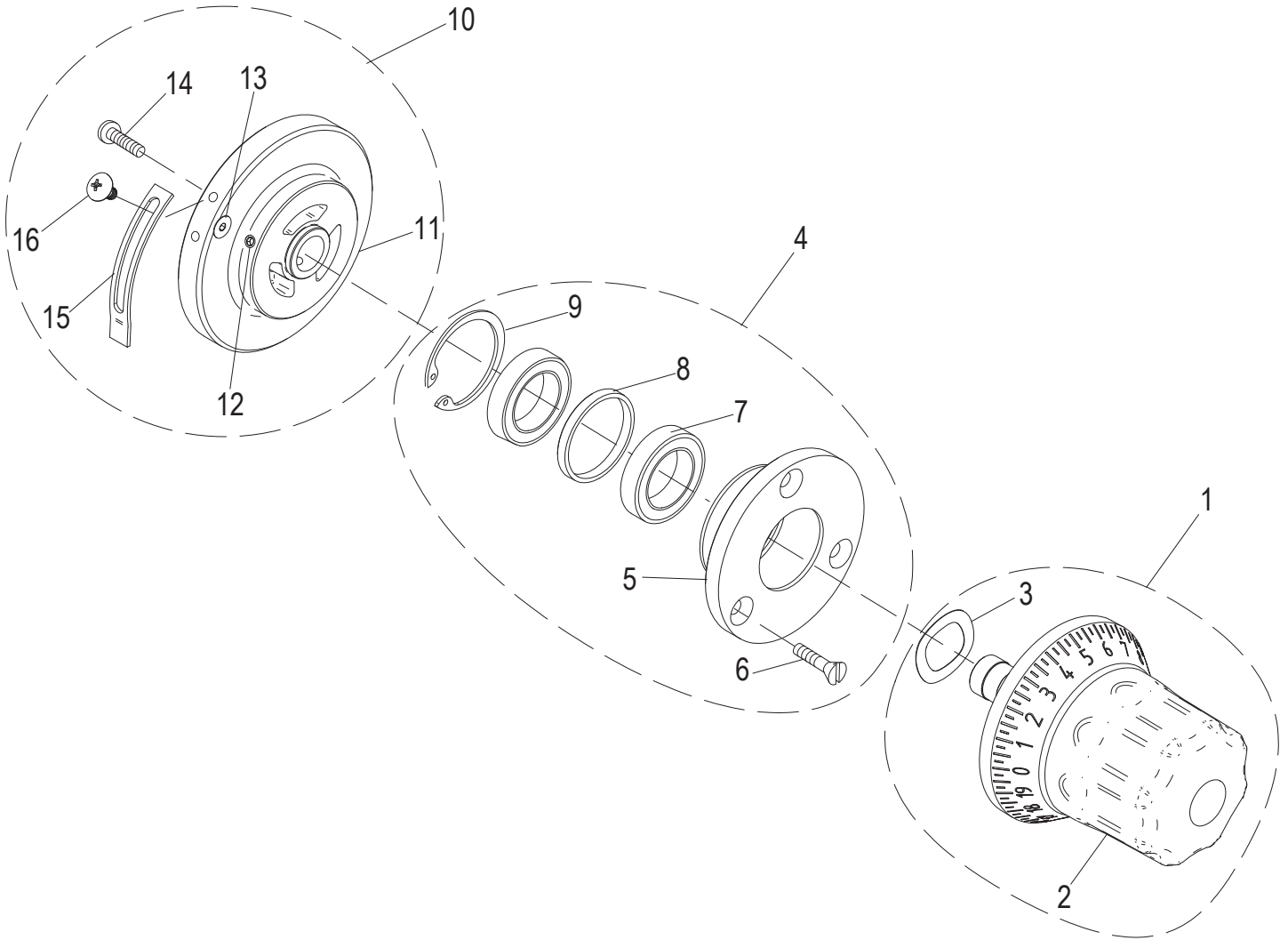


SG13A-22 Removable Knife Drive Components

Item	Part Number	Description	Qty	Serial Number
1	450226-01	Removable Knife Drive Kit	1	
2	450203	Shaft, Removable Knife Drive	1	
3	450199	Removable Knife Drive Shaft Assembly	1	
4	1193	Plug	1	
5	450201	Knife Drive Bearing Mount	1	
6	820045-02	Ball Bearing, Sealed	2	
7	450119	Outer Ring, Bearing Spacer	1	
8	450118	Inner Ring, Bearing Spacer	1	
9	810427	Retaining Ring N5002-200	1	
10	800010	Retaining Ring 5101-98 Bowed External	1	
11	520244	Knife Drive Boot	1	
12	450115	Knife Drive Pulley	1	
13	510033	Hex Nut, 7/8-20 Zinc	1	
14	810229	Socket Head Cap Screw 1/4-20x0.75	4	
15	810275	Spring Washer, 1/4x0.5	4	



SG13A-22 Index Knob Components



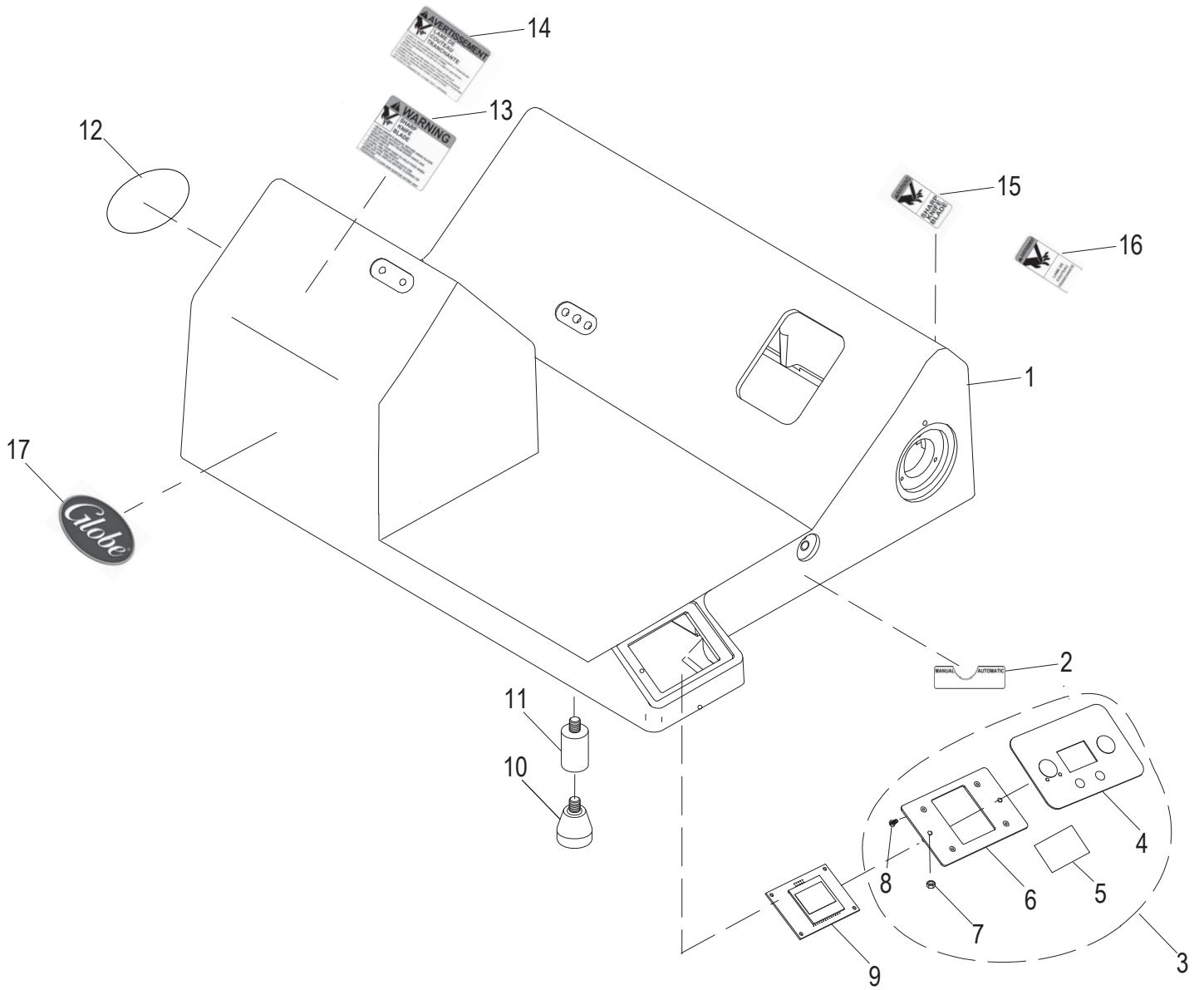


SG13A-22 Index Knob Components

Item	Part Number	Description	Qty	Serial Number
1	500044	Index Knob Kit (Incl. items 2-3)	1	
2	500022	Index Knob	1	
3	800136	Index Knob Tension Spring	1	
4	450214	Index Bearing Hub Assembly Kit (Incl. items 5-9)	1	
5	450150	Index Knob Bearing Hub	1	
6	800104	Mach. Screw #10-24x5/8 Flat Hd Slotted	3	
7	800011	Ball Bearing 20x32	2	
8	450069	Spacer, Index Bearing	1	
9	800031	Internal Beveled Retaining Ring 1.388	1	
10	500049	Index Cam with Stop Assembly (Incl. items 11-16)	1	
11	520350	Index Cam	1	
12	810463	Set Screw, Knurl Grip Cup Pt 1/4-28x3/4 (SST)	3	
13	800160	Socket Cap Screw #10-32x3/4 Flat Hd (SS)	1	
14	800105	Socket Cap Screw #10-32x5/8 Button-Hd	1	
15	300054	Cam Stop	1	
16	800138	Button Hd Cap Screw #10-32 x 3/8 SST	2	



SG13A-22 Base Shroud Components



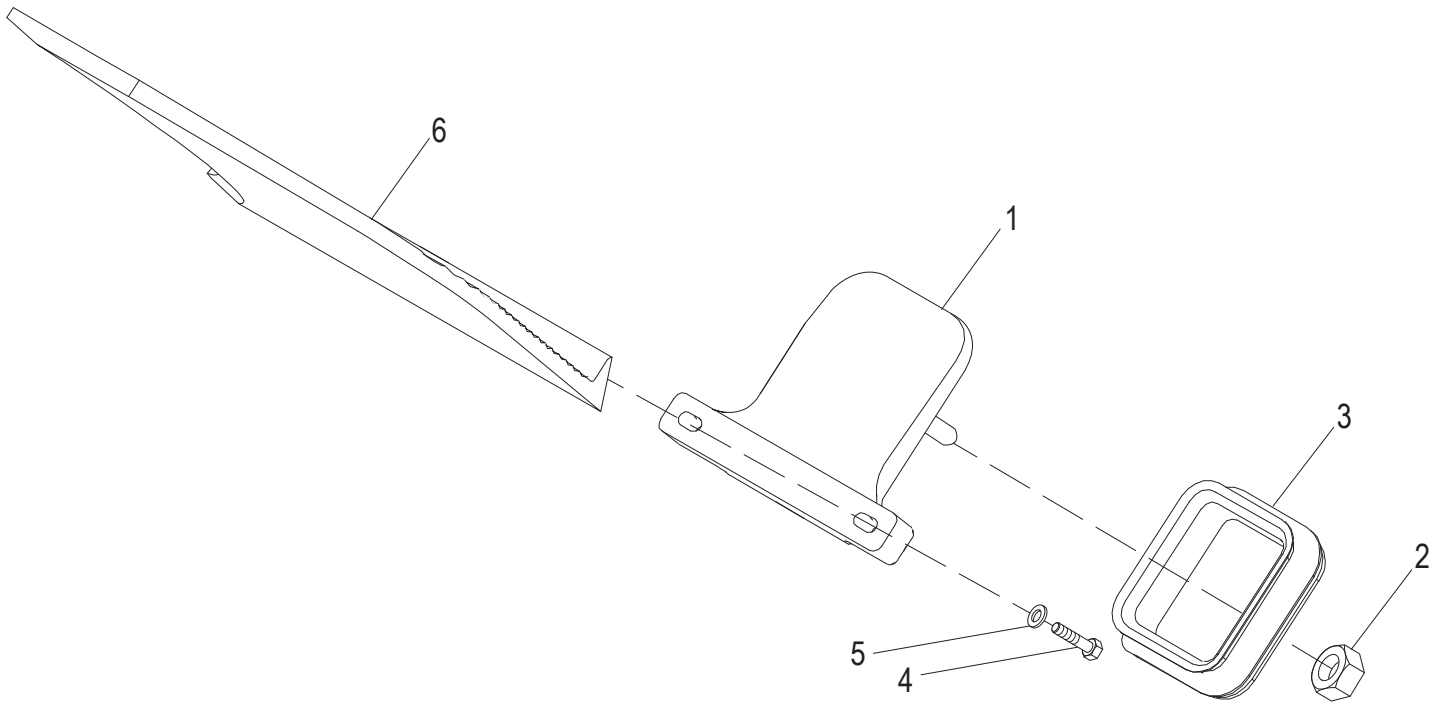


SG13A-22 Base Shroud Components

Item	Part Number	Description	Qty	Serial Number
1	450161-02	Slicer Base	1	
2	920203	Auto Engage Label	1	
3	121072-01	Membrane Switch Kit (Incl. items 4-8)	1	
4	910193	Membrane Switch, Automatic Slicer	1	
5	910088	Pad, Alcohol Prep	1	
6	300092	User Interface Panel, Smart/Auto	1	
7	810422	Nylon Locknut 6-32	2	
8	810423	Phillips Pan Head Screw 4-40 x 0.25"	4	
9	121062	Display Assembly	1	
10	510031	Slicer Foot	4	
11	800113	Foot Extension	4	
12	920202	Globe Logo Decal S - Series	1	
13	920200	Warning Label, Large	1	
14	920198	Warning Label, Large French	1	
15	920201	Warning Label, Small	1	
16	920199	Warning Label, Small French	1	
17	871-2	Globe Logo Decal 3.5"	1	
18	900030	Label, QR Code (Not Shown)	1	
19	920214	Label, Two Year Parts/Warranty (Not Shown)	1	



SG13A-22 Gauge Plate Components



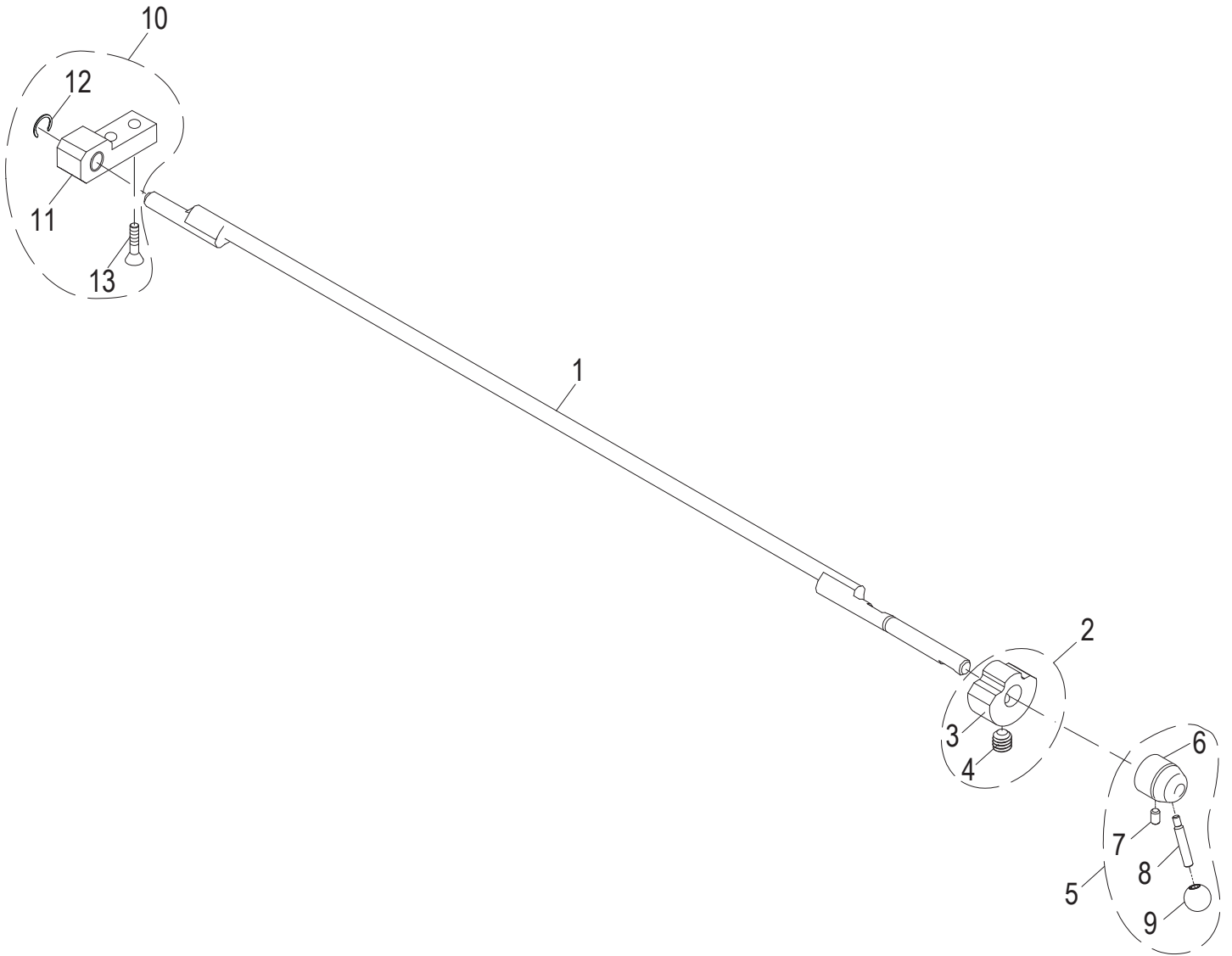


SG13A-22 Gauge Plate Components

Item	Part Number	Description	Qty	Serial Number
1	450212	Gauge Plate Base Assembly	1	
2	450054	Post Nut, Gauge Plate Ball Joint	1	
3	500001	Gauge Plate Seal	1	
4	890411	Cap Screw 3/8-16x1-1/2, Hex Hd with Nylon Patch	2	
5	810228	Flat Washer, fits 3/8 Screw, .885 OD	2	
6	450070	Gauge Plate	1	



SG13A-22 Auto Engage Lever Components



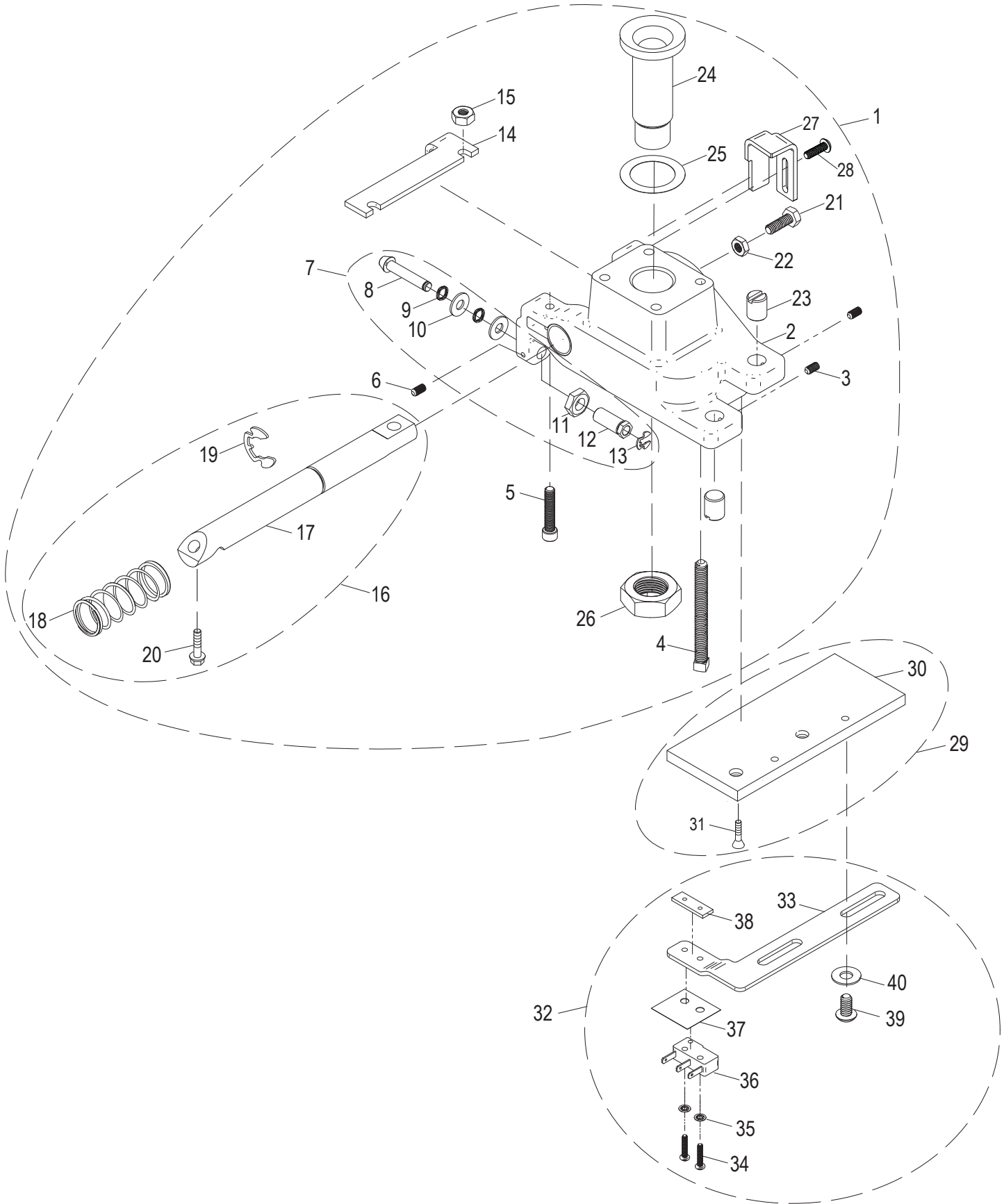


SG13A-22 Auto Engage Lever Components

Item	Part Number	Description	Qty	Serial Number
1	400021	Auto Engage Assembly Bar	1	
2	400038	Position Block Assembly (Incl. items 3-4)	1	
3	400024	Auto Engage Position Block	1	
4	810364	Socket Set Screw 1/4-20x1/4, 18-8 Cup Pt. (SST)	1	
5	500029	Auto Engage Lever Assembly (Incl. items 6-9)	1	
6	500028	Auto Engage Lever Hub	1	
7	810253	Slotted Cup Point Set Screw 1/4-20 x .42	1	
8	400039	Handle Shaft	1	
9	1202	Knob	1	
10	400126	Bearing Block Assembly Kit (Incl. items 11-13)	1	
11	400009	Bearing Block Assembly	1	
12	810429	External Retaining Ring 0.25x0.042	1	
13	810003	Screw 1/4-20x3/4 Crossed Rec., Flat Hd, Tapping	2	



SG13A-22 Index Slide Assembly Components





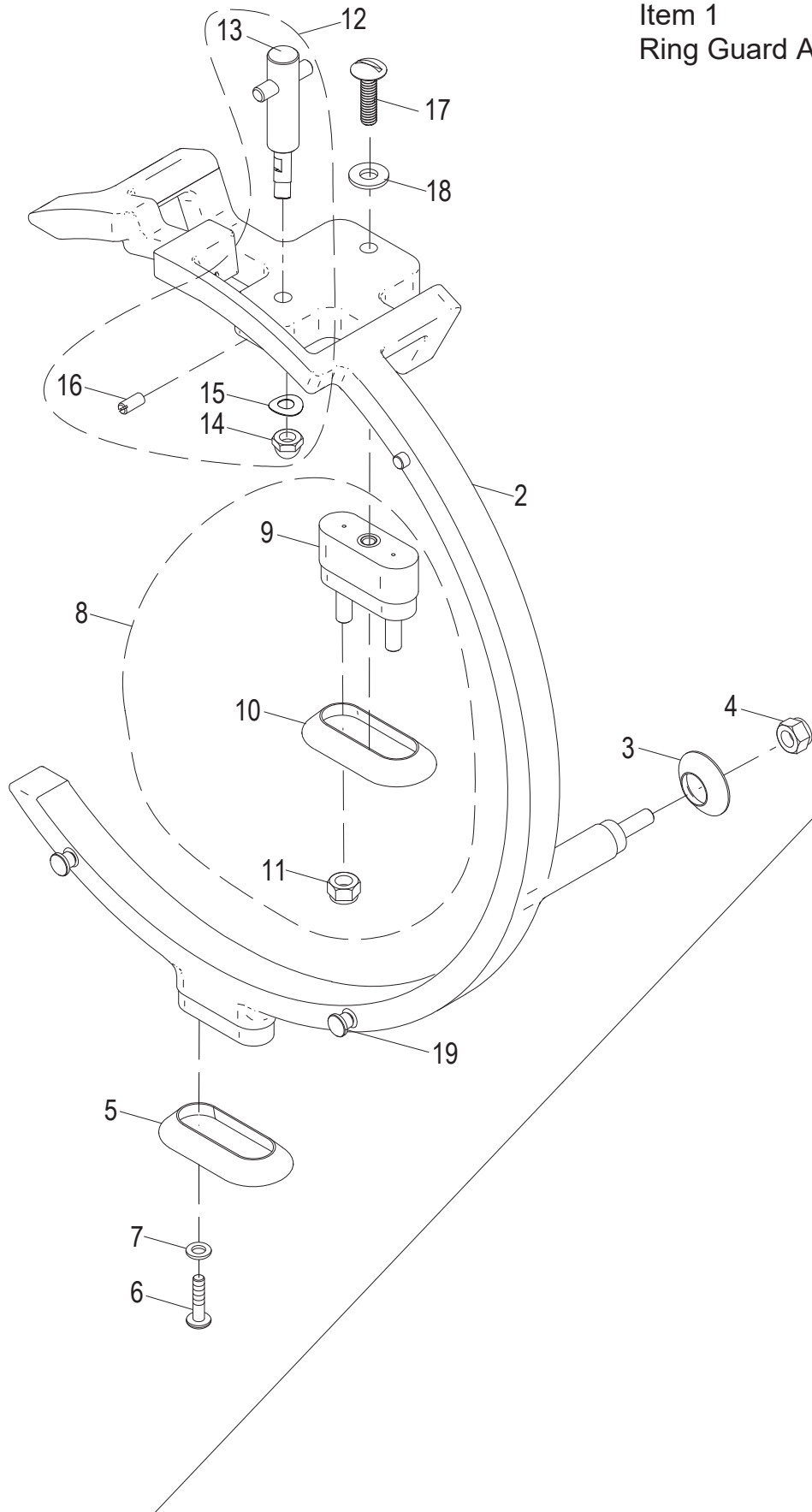
SG13A-22 Index Slide Assembly Components

Item	Part Number	Description	Qty	Serial Number
1	400140	Index Slide Kit (Incl. items 2-28)	1	
2	430028	Index Slide with Bushings	1	
3	810400	Set Screw #10-32x3/8 Cup Pt.	2	
4	800146	Set Screw 5/16-18x3 Sq. Hd Cup Point	4	
5	800144	Cap Screw 1/4-28x1-1/4 Socket Hd	2	
6	800091	Hex Socket Knurl-Cup Point Set Screw 8-32 X 0.1875"	1	
7	400121	Cam Follower Kit (Incl. items 8-13)	1	
8	450153	Follower	1	
9	800163	Wave Spring Cam Follower	2	
10	810410	Flat Washer 0.266x0.625	2	
11	810430	Jam Nut 3/8-24	1	
12	450152	Follower Adjustment Post	1	
13	810379	Retaining Clip Ring 5304-18	1	
14	300153	Stop Plate, Tilt Back	1	
15	800145	Nut 1/4-28 Hex	2	
16	400122	Index Slide Shaft Kit (Incl. items 17-20)	1	
17	450058	Index Slide Shaft	1	
18	800154	Index Spring	1	
19	800152	Retaining Ring (Klipring) 5304-75	1	
20	800058	Washer 5/16-18-1 Hex Hd Tapping Screw	2	
21	810431	Hex Head Screw 1/4-20x0.75	1	
22	810432	Jam Nut 1/4-20	1	
23	450057	Screw, Anti-Rotation	2	
24	450050	Ball Joint Rest	1	
25	800168	Gauge Plate Spacer Kit (Kit of 4)	1	
26	800043	Nut 7/8-14 UNF Hex Jam	1	
27	300154	Adjustment Stop	1	
28	800105	Socket Cap Screw #10-32x5/8 Button-Hd	2	
29	400128	Anti-Rotation Plate Kit (Incl. items 30-31)	1	
30	450056	Anti-Rotation Plate	1	
31	810003	Screw 1/4-20x3/4 Crossed Rec., Flat Hd, Tapping	2	
32	121079	Index Close Switch Kit (Incl. items 32-40)	1	
33	300062	Switch Mounting Plate	1	
34	800126	Mach. Screw #2-56x7/16 Pan Hd. Phillips	2	
35	800098	Lock Washer #2 Internal Tooth	2	
36	110223	Micro Switch, Pin Action	1	
37	140125	Micro Switch Insulator	1	
38	300055	Nut Plate	1	
39	800077	Hex Socket Button Head Screw #10-24 x 0.375	2	
40	870087	Flat Washer (Electrical Box Mounting)	2	



SG13A-22 Ring Guard Assembly Components

Item 1
Ring Guard Assembly



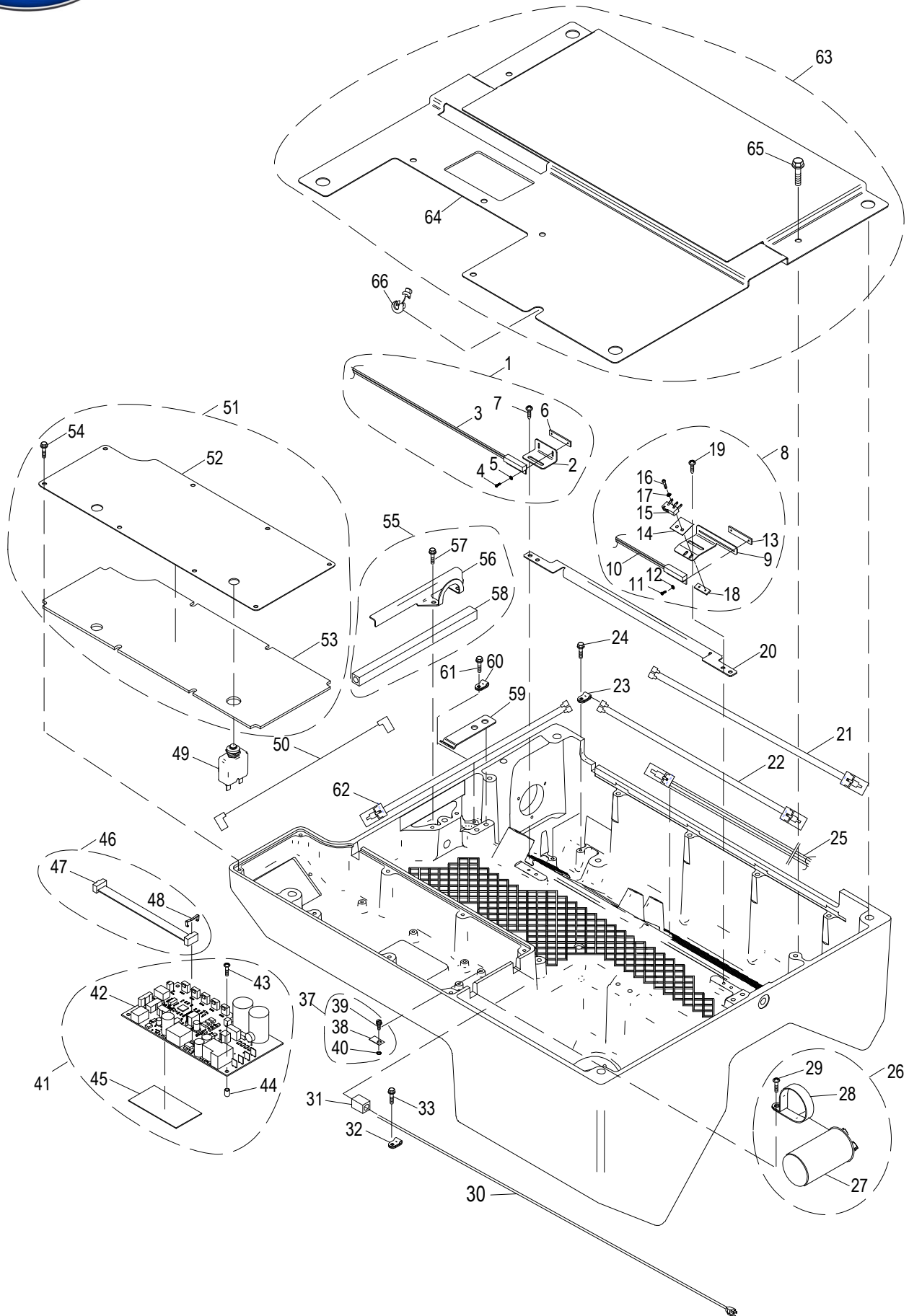


SG13A-22 Ring Guard Assembly Components

Item	Part Number	Description	Qty	Serial Number
1	500047-01	Ring Guard Assembly Kit (Incl. items 2-19)	1	
2	520316	Ring Guard	1	
3	520243	Round Boot, Ring Guard	1	
4	810438	Nylon Insert Lock Nut 1/4-20	1	
5	520242	Oval Boot, Ring Guard	1	
6	810358	Slotted Truss Head Screw 1/4-20 x 1.00	2	
7	810345	Flat Washer, 1/4 x 0.63	2	
8	450213	Ring Guard Spacer Kit (Incl. items 9-11)	1	
9	460064	Spacer, Ring Guard	1	
10	520242	Oval Boot, Ring Guard	1	
11	810438	Nylon Insert Lock Nut 1/4-20	2	
12	460069-01	Sharpener Mount Kit, Standard (Incl. items 13-16)	1	
13	450131	Sharpener Mount Kit	1	
14	800185	Acorn Nut, 1/4-28	1	
15	800184	Spring Washer 0.26x0.55x0.015	1	
16	810483	Slotted Set Screw, #10-32x0.50	1	
17	810358	Slotted Truss Head Screw 1/4-20 x 1.00	1	
18	810345	Flat Washer, 1/4 x 0.63	1	
19	450130	Locator Pin	2	



SG13A-22 Electrical Base Components





SG13A-22 Electrical Base Components

Item	Part Number	Description	Qty	Serial Number
1	121083	Home Sensor Kit (Incl. items 2-7)	1	
2	310200	Home/Cut Sensor Mount	1	
3	110108	Sensor, Reed Switch, Carriage Home	1	
4	800101	Mach. Screw #1-64x1/4, 18-8 Pan Hd. Phillips (SST)	2	
5	800098	Lock Washer #2 Internal Tooth	2	
6	300056	Nut Plate	1	
7	800069	Phillips Round Head Thread Forming Screw 8-32 x 0.375"	2	
8	121084-02	Cut/Auto Sensor Kit (Incl. items 9-19)	1	
9	310204	Cut/Auto Engage Sensor Mount	1	
10	110111	Sensor, Reed Switch, Cut Sensor	1	
11	800101	Mach. Screw #1-64x1/4, 18-8 Pan Hd. Phillips (SST)	2	
12	800098	Lock Washer #2 Internal Tooth	2	
13	300056	Nut Plate	1	
14	140125	Micro Switch Insulator	1	
15	110223	Micro Switch, Pin Action	1	
16	800126	Mach. Screw #2-56x7/16 Pan Hd. Phillips	2	
17	800098	Lock Washer #2 Internal Tooth	2	
18	300055	Nut Plate	1	
19	800069	Phillips Round Head Thread Forming Screw 8-32 x 0.375"	2	
20	310208	Inner Wireway Cover	1	
21	100121	Wire Harness, Table Close Sensor	1	
22	100122	Wiring Harness, Automatic Switch	1	
23	110226	Clamp, Nylon Loop	2	
23	110229	Capacitor Clamp (220V)	1	
24	800069	Phillips Round Head Thread Forming Screw 8-32 x 0.375"	2	
25	110107	Harness, Reed Switch, Knife Cover Sensor	1	
26	121082-01	120V Capacitor Kit (Incl. items 27-29)	1	
27	140015	Capacitor, Knife Motor 120V	1	
28	110228	Capacitor Clamp (120V)	1	
29	800069	Phillips Round Head Thread Forming Screw 8-32 x 0.375"	1	
26	121082-02	220V Capacitor Kit (Incl. items 31-33) Not Shown	1	
27	140016	Capacitor, Knife Motor (220V)	1	
28	110229	Capacitor Clamp (220V)	1	
29	800069	Phillips Round Head Thread Forming Screw 8-32 x 0.375"	1	
30	130225	Power Supply Cord, 120VAC, 15A	1	
31	510045-01	Sleeve, Large Diameter Wire	2	
32	110227	Power Cord Strain Relief	1	
33	800057	Screw 1/4-20x.75 Hex Washer Hd Tapping	1	
34	130008-01	Power Cord (220V/50Hz) Not Shown	1	
35	130226	Power Supply Cord Not Shown	1	
36	130228	Male Power Plug, Europe CEE7/7, 50Hz Not Shown	1	
34	130008-02	Power Cord (220V/60Hz) Not Shown	1	
35	130226	Power Supply Cord Not Shown	1	
36	130227	Three Blade Male Plug, NEMA 3-15, 60Hz Not Shown	1	
37	121080	Ground Location Tab Kit (Incl. items 36-38)	1	
38	910184	Tab, Ground Location	1	
39	800202	Green Slotted Hex Washer Head Screw #8-32 x 0.312	1	
40	800115	External Tooth Lock Washer #8x0.381	1	
41	121088-03	Control Board Kit (Incl. items 40-43)	1	
42	121061-01	Control Board Assembly	1	
43	800175	Screw #8-32x3/4 Crossed Recessed Tapping	4	
44	810450	Self Retaining Spacer	4	
45	510050	Thermal Pad	1	



SG13A-22 Electrical Base Components

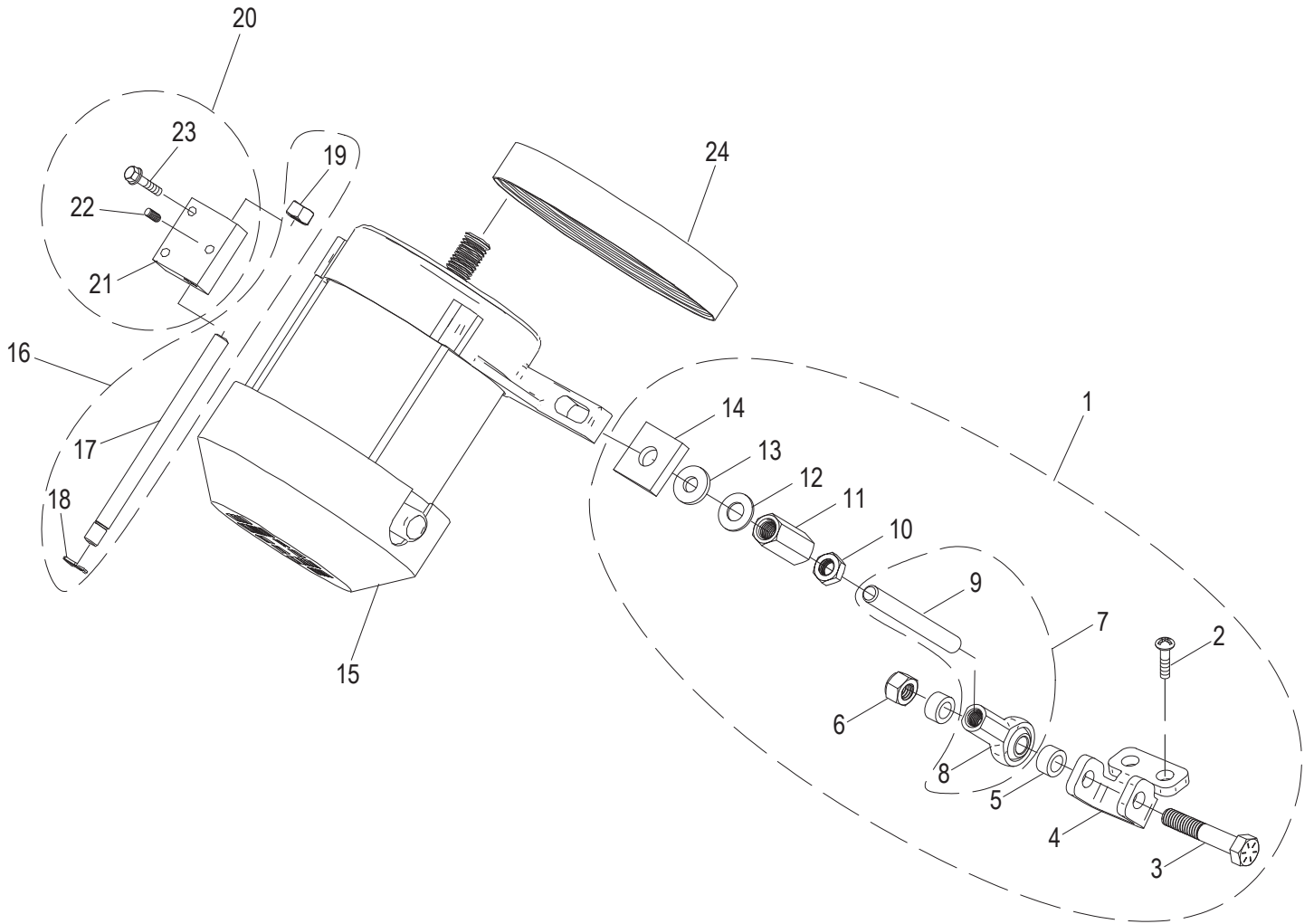
Item	Part Number	Description	Qty	Serial Number
46	121081	Ribbon Cable Kit (Incl. items 45-46)	1	
47	100126	Ribbon Cable Assembly Contol To Display Board	1	
48	180126	Retaining Clip, Ribbon Cable	2	
49	140017-01	Circuit Breaker	1	
49	140017-02	Circuit Breaker (220V) Not Shown	1	
50	100125	Wire Harness, Circuit Breaker	1	
51	300063	Electronics Cover & Gasket Kit (Incl. items 50-52)	1	
52	300013	Cover, Electronics	1	
53	500016	Gasket, Electronic Cover	1	
54	800067	Screw #10-24x1/2 Hex Washer Hd Tapping	8	
55	300067-02	Front Wireway Cover Kit	1	
56	310207	Cover, Front Wireway	1	
57	800067	Screw #10-24x1/2 Hex Washer Hd Tapping	2	
58	510045-02	Sleeve, Large Diameter Wire	1	
59	300019	Auto Engage Position Leaf Spring	1	
60	110230	Nylon Loop Clamp 5/16	1	
61	800069	Phillips Round Head Thread Forming Screw 8-32 x 0.375"	1	
62	100120	Wiring Harness, Carriage Tilt Sensor	1	
63	330141	Bottom Cover Assembly (Incl. items 62-63)	1	
64	300133	Bottom Cover	1	
65	800229	Hex Washer HD 1/4-20x1/2" Screw	2	
66	877	Strain Relief	1	



INTENTIONALLY LEFT BLANK PAGE



SG13A-22 Knife Drive Motor Components



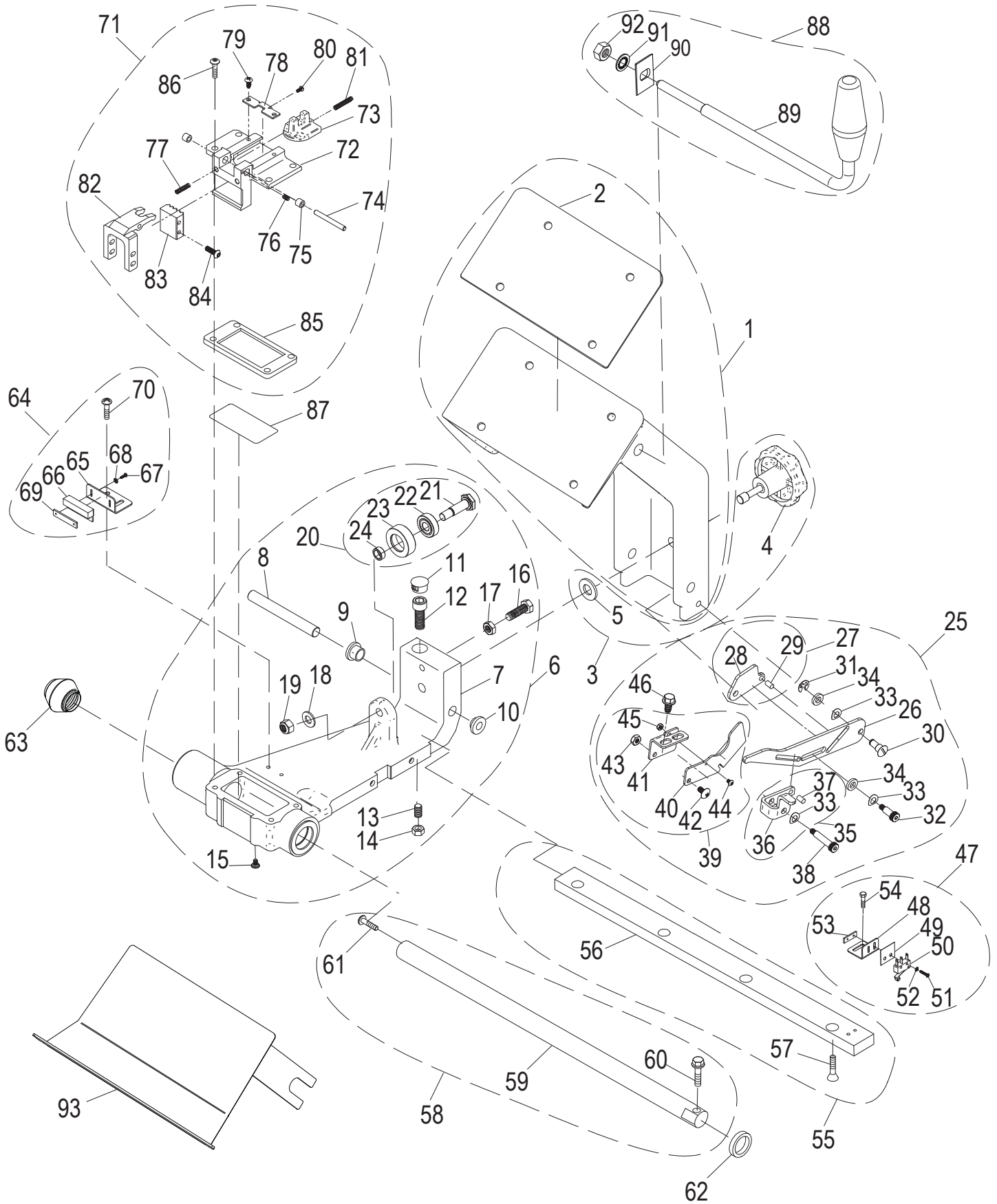


SG13A-22 Knife Drive Motor Components

Item	Part Number	Description	Qty	Serial Number
1	400124	Knife Tensioner Kit (Incl. items 2-14)	1	
2	800135	Thread Forming Screw 1/4-20x5/8 PHP	2	
3	810419	Cap Screw, 5/16-18x1.75 Hx Hd	1	
4	300023	Knife Motor Tensioner Bracket	1	
5	500033	Sleeve Spacer	2	
6	810420	Nylon Insert Locknut 5/16-18	1	
7	400125	Threaded Ball Joint, Knife Tensioner (Incl. items 8-9)	1	
8	800093	Ball Joint Rod End 5/16'-24 Thd	1	
9	450034	Tension Shaft 5/16-24 x 3 Full Thread	1	
10	810414	Nut 5/16-24 UNF Zinc Plated Steel Hex Jam	1	
11	800162	Nut 5/16-24x1 Hex Coupling	1	
12	810416	Flat Washer, 5/16 x 0.69	1	
13	810417	Washer 5/16 Neoprene	1	
14	800161	Washer 5/16 Leveling	1	
15	120158-01	Knife Drive Motor, Single Phase, 120V, 60Hz	1	
16	400113	Motor Mount Pivot Rod Assembly (Incl. items 17-19)	1	
17	400026	Motor Mount Pivot Rod	1	
18	810429	External Retaining Ring 0.25x0.042	1	
19	810420	Nylon Insert Locknut 5/16-18	1	
20	400123	Motor Pivot Block Kit (Incl. items 21-23)	1	
21	450117	Motor Pivot Block	1	
22	800094	Hex Socket Knurl-Cup Point Set Screw 10-32 x 0.25	1	
23	800068	Washer #10-24x1 Hex Hd Tap. Screw Slotted	2	
24	800092	Knife Drive Belt	1	



SG13A-22 Transport Arm Assembly Components





SG13A-22 Transport Arm Assembly Components

Item	Part Number	Description	Qty	Serial Number
1	400129	Carriage Arm & Gasket Kit (Incl. item 2)	1	
2	500004	Carriage Arm Gasket	1	
3	500052	Carriage Knob & Captive Clip Kit (Incl. items 4-5)	1	
4	500026	Carriage Arm Tie Down Knob	1	
5	800180	Washer, Nylon	1	
6	400115	Transport Replacement Assembly (Incl. items 7-24)	1	
7	420062	Transport with Bushings	1	
8	400017	Transport Attachment Pin	1	
9	810237	Shoulder Washer .51 IDx.88 Nylon	1	
10	810238	Shoulder Washer .51 IDx1.125 Nylon	1	
11	810227	Dome Plug for 5/8 Hole	1	
12	810256	Socket Hd Cap Screw 3/8-16 x 1 (SST)	1	
13	800015	Transport Tie Down Screw 5/16-24x1.30"	1	
14	800048	Hex Nut 5/16-24	1	
15	810232	Phillips Pan Head Sealing Screw 8-32 x 0.25"	1	
16	810406	Hex Cap Screw 5/16-24x1,18-8 (SST)	1	
17	810414	Nut 5/16-24 UNF Zinc Plated Steel Hex Jam	1	
18	810272	Flat Washer 5/16 x 0.63	1	
19	810420	Nylon Insert Locknut 5/16-18	1	
20	800014	Roller Bearing Assembly (Incl. items 21-24)	1	
21	810351	Roller Bearing Bolt	1	
22	810363	Roller Bearing	1	
23	500003	Bearing Sleeve	1	
24	810352	Spacer Sleeve	1	
25	300061	Table Interlock Kit (Incl. items 26-45)	1	
26	300049	Transport Slide Lock Plate	1	
27	300057	Lock Plate Assembly (Incl. items 28-29)	1	
28	300050	Lock Plate	1	
29	810451	Dowel Pin, 5/32 x 5/16 (SST)	1	
30	800029	Reverse Shoulder Bolt	1	
31	800082	E-Clip Retaining Ring for 1/4" Shaft	1	
32	810455	Shoulder Bolt 1/4" x 1/2", #10-32 Thread	1	
33	870092	Spring Washer 0.256 x 0.490	3	
34	810459	Washer, Nylon .265 ID, .50 OD, .094 Thick	2	
35	300058	Cam Lock Plate Assembly (Incl. items 36-37)	1	
36	300051	Cam Lock Plate	1	
37	810451	Dowel Pin, 5/32 x 5/16 (SST)	1	
38	810454	Shoulder Bolt 1/4" x 1", #10-32 Thread	1	
39	300059	Lock Out Assembly (Incl. items 40-45)	1	
40	300053	Pivot Stop Plate	1	
41	300052	Slide Pivot Plate Bracket	1	
42	810457	Mach. Screw, #10-32 x 1/2 Phil Truss	1	
43	810458	Nylon Insert Lock Nut #10-32	1	
44	810456	Mach. Screw #5-40 x 1/2 Button Socket Cap	1	
45	800170	Hex Nut, Nylon Lock #5-40	1	
46	800057	Screw 1/4-20x.75 Hex Washer Hd Tapping	2	
47	121089	Carriage Tilt Switch Kit (Incl. items 48-54)	1	
48	310201	Carriage Tilt Back Sensor Mount	1	
49	140125	Micro Switch Insulator	1	
50	110109	Micro Switch	1	
51	800126	Mach. Screw #2-56x7/16 Pan Hd. Phillips	2	
52	800098	Lock Washer #2 Internal Tooth	2	
53	300055	Nut Plate	1	



SG13A-22 Transport Arm Assembly Components

Item	Part Number	Description	Qty	Serial Number
54	800099	Hex Head Screw #8-32x0.375	2	
55	400131	Transport Roller Bar Kit (Incl. items 56-57)	1	
56	450061	Transport Roller Bar	1	
57	810004	Tapping Screw 1/4-20x1 Cross Rec. FH	4	
58	400132	Transport Shaft Kit (Incl. items 59-61)	1	
59	450060	Transport Shaft	1	
60	800059	Washer 5/16-18x1.25 Hex Hd Tapping Screw	1	
61	800071	Slotted Truss Head Screw 5/16-18x1.0	1	
62	500005	Transport Bumper	1	
63	800131	Sleeved Spring Assembly	1	
64	121090	Carriage Magnet Kit (Incl. items 65-70)	1	
65	310199	Transport Switch Magnet Mount	1	
66	110118	Magnet	1	
67	800101	Mach. Screw #1-64x1/4, 18-8 Pan Hd. Phillips (SST)	2	
68	800098	Lock Washer #2 Internal Tooth	2	
69	300056	Nut Plate	1	
70	800069	Phillips Round Head Thread Forming Screw 8-32 x 0.375"	2	
71	400130	Auto Engage Pickup Kit (Incl. items 72-86)	1	
72	450030	Transport Auto Engage	1	
73	500017	Auto Engage Slide	1	
74	800030	Auto Engage Pivot Dowel	1	
75	500032	Sleeve Bushing	1	
76	810473	Set Screw, 8-32x3/8, Brass Tip Dog Point (SST)	1	
77	800106	Clamp Release Spring	1	
78	300015	Auto Engage Spring Stop Bracket	1	
79	800069	Phillips Round Head Thread Forming Screw 8-32 x 0.375"	1	
80	810423	Phillips Pan Head Screw 4-40 x 0.25"	1	
81	800107	Slide Spring	1	
82	450142	Auto Engage Pivot Lever	1	
83	450146	Auto Engage Belt Clamp	1	
84	800105	Socket Cap Screw #10-32x5/8 Button-Hd	1	
85	510058	Oil Well Gasket	1	
86	800109	Screw 1/4-20x.50 Button Hd Cap	4	
87	800053	Felt Insert	1	
88	400114	Carriage Arm Handle Assembly with Nut (Incl. items 89-92)	1	
89	460076	Carriage Arm Handle	1	
90	400155	Anti Rotation Block	1	
91	810226	Lock Washer, 1/2 Screw Size, Internal Tooth	1	
92	810224	Hex Nut, 1/2-13 Left Hand, Thread	1	
93	300110-02	Cover, Hardware	1	

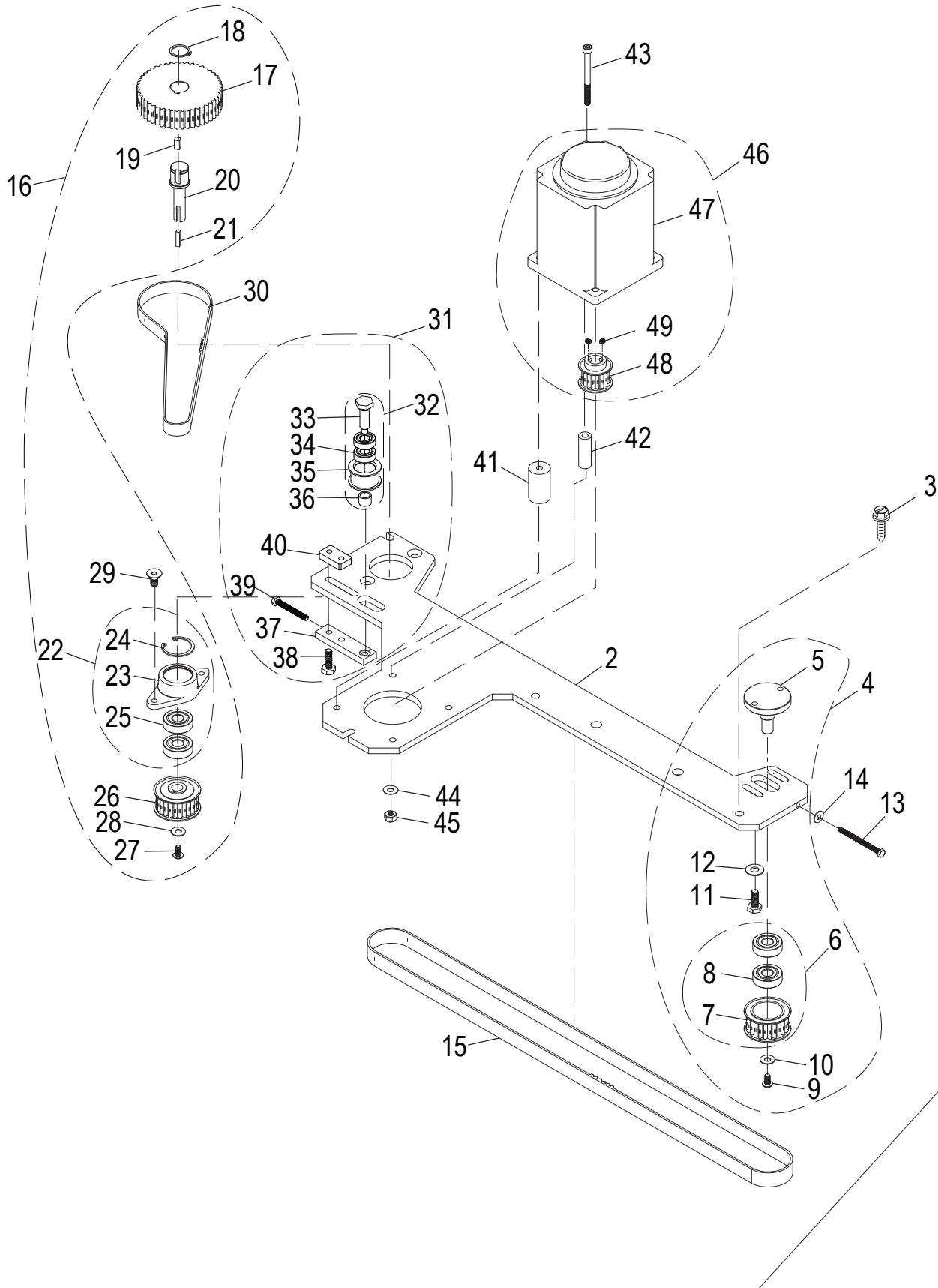


INTENTIONALLY LEFT BLANK PAGE



SG13A-22 Automatic Drive Assembly Components

Item 1
Automatic Drive Kit



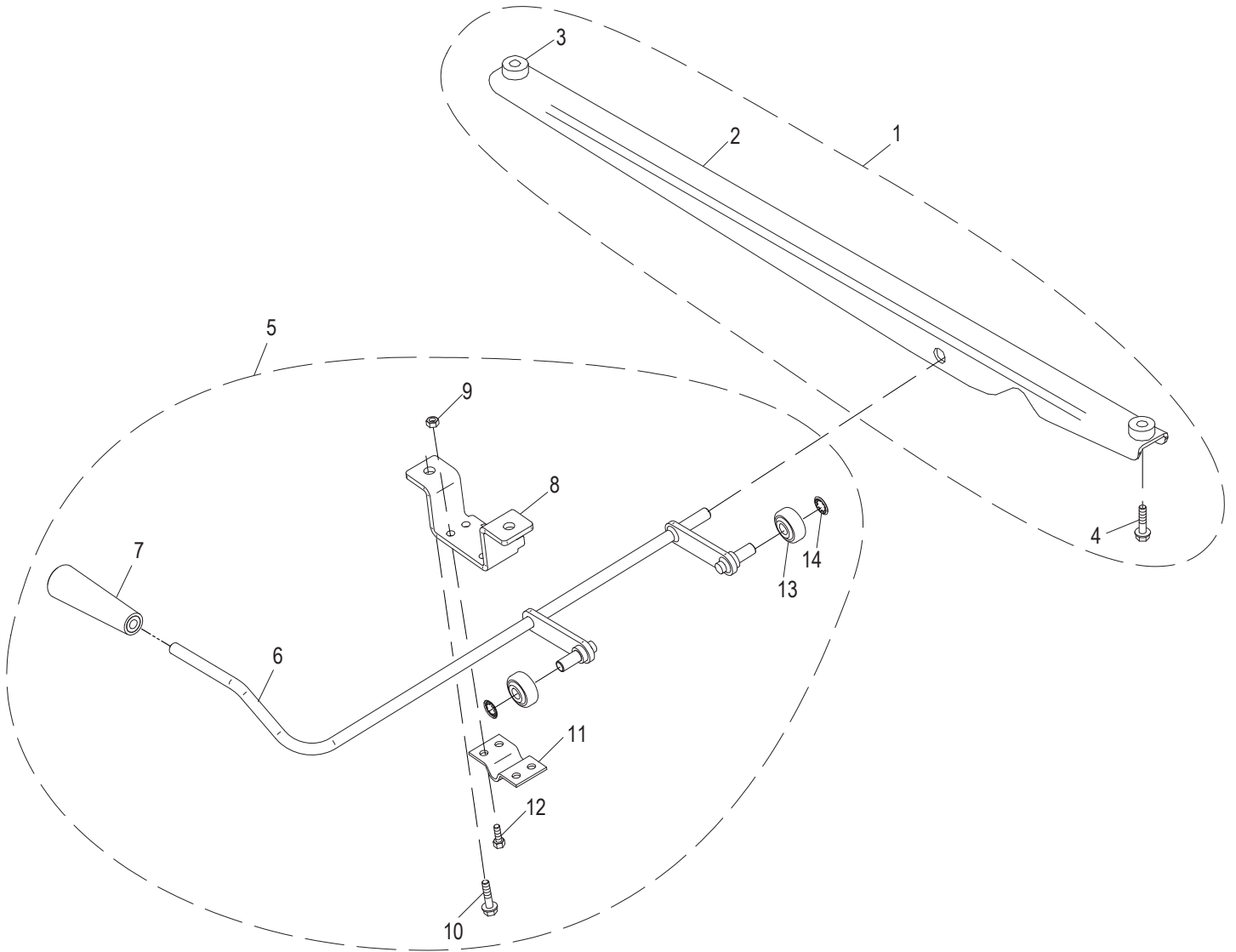


SG13A-22 Automatic Drive Assembly Components

Item	Part Number	Description	Qty	Serial Number
1	400133	Automatic Drive Kit (Incl. items 2-49)	1	
2	450077	Automatic Base Plate	1	
3	800057	Screw 1/4-20x.75 Hex Washer Hd Tapping	4	
4	400143	Idler Assembly Kit (Incl. items 5-12)	1	
5	450080	Pulley Shaft	1	
6	450097	Idler Assembly (Incl. items 7-8)	1	
7	450094	Idler Pulley (24 Tooth)	1	
8	800005	Bearing 6000 Double Seal	2	
9	800077	Hex Socket Button Head Screw #10-24 x 0.375	1	
10	800076	Flat Washer, #10x0.50	1	
11	800072	Hex Head Screw 1/4-20x0.63	2	
12	800079	Flat Washer, 1/4x0.625	2	
13	800088	Mach. Screw #8-32x2 Hex Hd (SS)	1	
14	870072	Flat Washer, #8 x 0.44	1	
15	800008	Automatic Driven Belt	1	
16	400141	48/24 Tooth Drive Pulley Kit (Incl. items 17-29)	1	
17	450099	Drive Pulley (48 Tooth)	1	
18	800090	Retaining Ring 5100-62 External	1	
19	450088	Key, 3/16x3/16 Drive	1	
20	450079	Shaft, Dual Pulley	1	
21	450089	Key, 1/8x1/8 Drive	1	
22	450096	Bearing Block Assembly (Incl. items 23-25)	1	
23	450087	Bearing Block	1	
24	800007	Retaining Ring N5002-102 Internal	1	
25	800005	Bearing 6000 Double Seal	2	
26	450093	Drive Pulley (24 Tooth)	1	
27	800077	Hex Socket Button Head Screw #10-24 x 0.375	1	
28	800076	Flat Washer, #10x0.50	1	
29	800073	Screw 1/4-20x1/2 Socket Flat Countersunk Hd Cap	2	
30	800009	Automatic Drive Belt	1	
31	400154	Belt Tension Kit (Incl. items 32-40)	1	
32	400151	Belt Tensioner Assembly	1	
33	400149	Tension Pulley Shaft	1	
34	800012	Bearing, Tension	2	
35	500059	Tension Sleeve	1	
36	400153	Spacer	1	
37	400152	Tensioner Bar	1	
38	810431	Hex Head Screw 1/4-20x0.75	2	
39	810007	Screw, Machine #10-32x1-1/2 Hx Hd Drive	1	
40	400150	Nut Plate	1	
41	450090	Standoff, Automatic Motor	3	
42	450091	Standoff, Automatic Motor	1	
43	800074	Screw #10-24x2.25 Socket Hd Cap	4	
44	800076	Flat Washer, #10x0.50	4	
45	800075	Nut #10-24 Hex	4	
46	400144	Carriage Drive Motor Kit (Incl. items 46-49)	1	
47	120160	Carriage Drive Motor (BLDC)	1	
48	450095	Motor Drive Pulley (16 Tooth)	1	
49	800091	Hex Socket Knurl-Cup Point Set Screw 8-32 X 0.1875"	2	



SG13A-22 Automatic Lift Lever Base Components



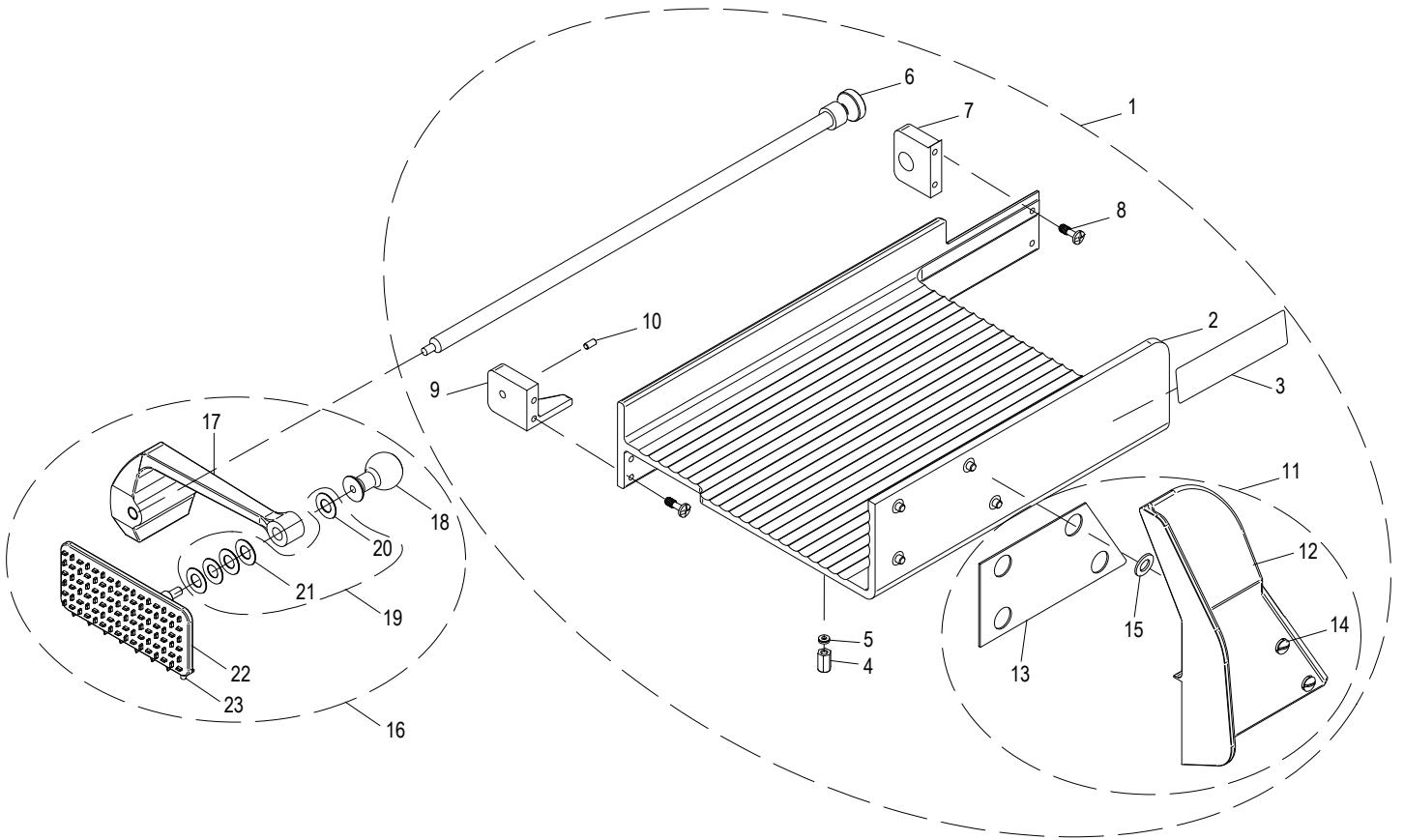


SG13A-22 Automatic Lift Lever Base Components

Item	Part Number	Description	Qty	Serial Number
1	300066	Lift Lever Base Support Kit (Incl. items 2-4)	1	
2	300028	Lift Lever Base Support	1	
3	400037	Lift Lever Base Support Post	2	
4	800057	Screw 1/4-20x.75 Hex Washer Hd Tapping	2	
5	400134	Lift Lever Assembly Kit (Incl. items 6-14)	1	
6	400032	Lift Lever Weldment	1	
7	951-8	Lift Lever Handle	1	
8	300078	Lift Lever Support & Stop	1	
9	810438	Nylon Insert Lock Nut 1/4-20	4	
10	800058	Washer 5/16-18-1 Hex Hd Tapping Screw	2	
11	300030	Lift Lever Bracket	1	
12	800072	Hex Head Screw 1/4-20x0.63	4	
13	400034	Lift Lever Roller	2	
14	800087	Retaining Ring 5115-37 Push-On External	2	



SG13A-22 Carriage and End Weight Assembly Components



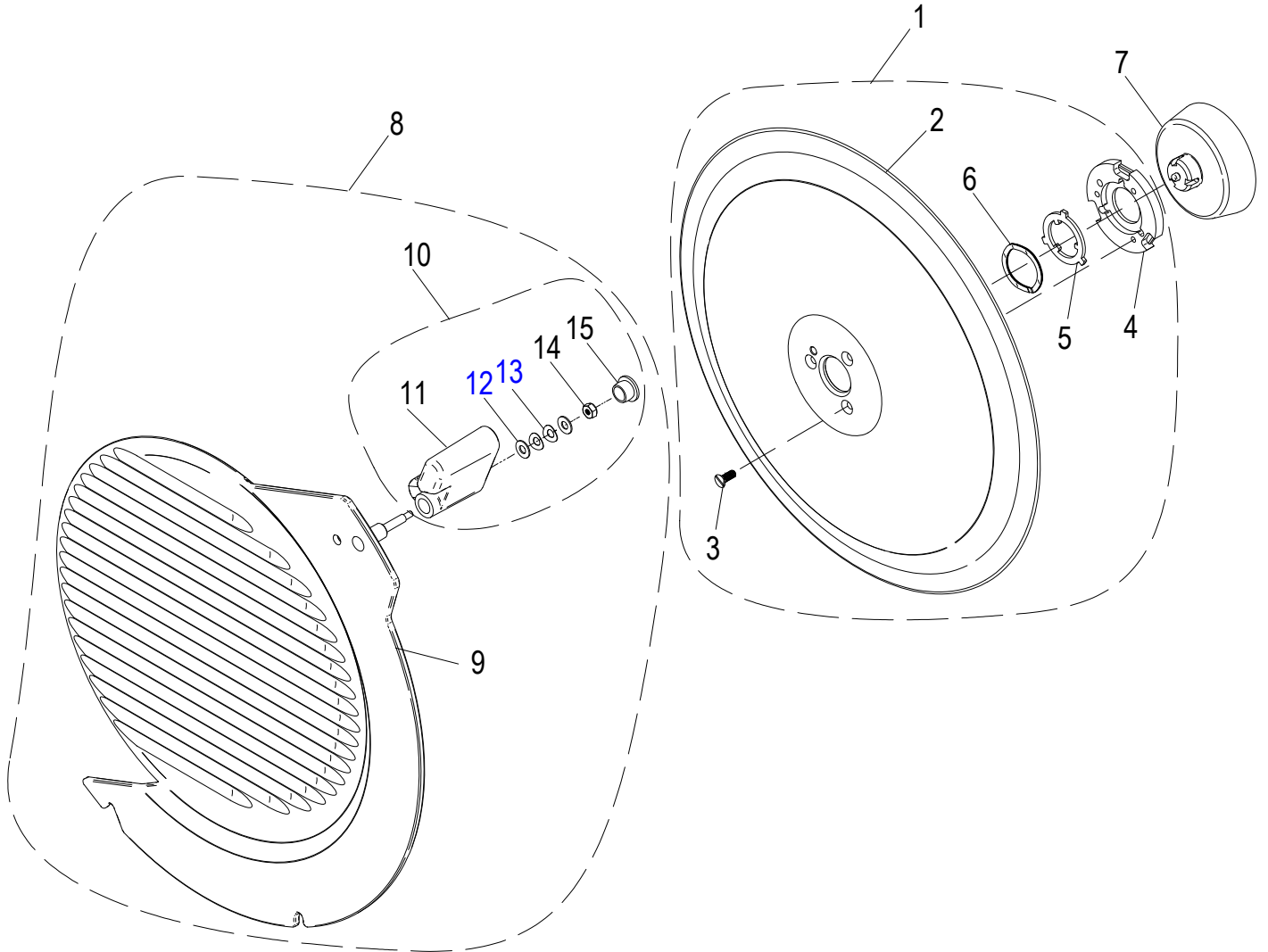


SG13A-22 Carriage and End Weight Assembly Components

Item	Part Number	Description	Qty	Serial Number
1	400198	Carriage Assembly Kit, Captive (Incl. items 2-15)	1	
2	400197	Carriage Assembly, Captive	1	
3	920196	Carriage Tilt Label	1	
4	800188	Custom Nut, 1/4-20	4	
5	800085	Washer 1/4" Screw, Self Aligning	4	
6	450158	End Weight Shaft Assembly	1	
7	450156	End Weight Rod Mount	1	
8	890346	Captive Machine Screw Slotted	4	
9	420094	End Weight Stop	1	
10	800205	Stop Pin, Delrin End Weight	1	
11	510060	Thumb Guard/Gasket Assembly, Captive (Incl. items 12-15)	1	
12	510054	Thumb Guard, Captive	1	
13	510038	Carriage Thumb Guard Gasket	1	
14	890347	Thumb Guard Screw, Captive	4	
15	890548	Flat Washer, Type A 5/16 Narrow	4	
16	500027-02	End Weight Assembly (Incl. items 17-23)	1	
17	420065	End Weight Arm Assembly	1	
18	450159	End Weight Handle	1	
19	800164	End Weight Face Washer Kit (Incl. items 20-21)	1	
20	800033-02	End Weight Face Washer	1	
21	800033-01	End Weight Face Washer	4	
22	500007	Molded End Weight Assembly	1	
23	800047	Delrin Pin, 1/8 Dia x 3/8	1	
24	920197	Carriage Tilt Label (French) (Not Shown)	1	



SG13A-22 Knife and Knife Cover Components



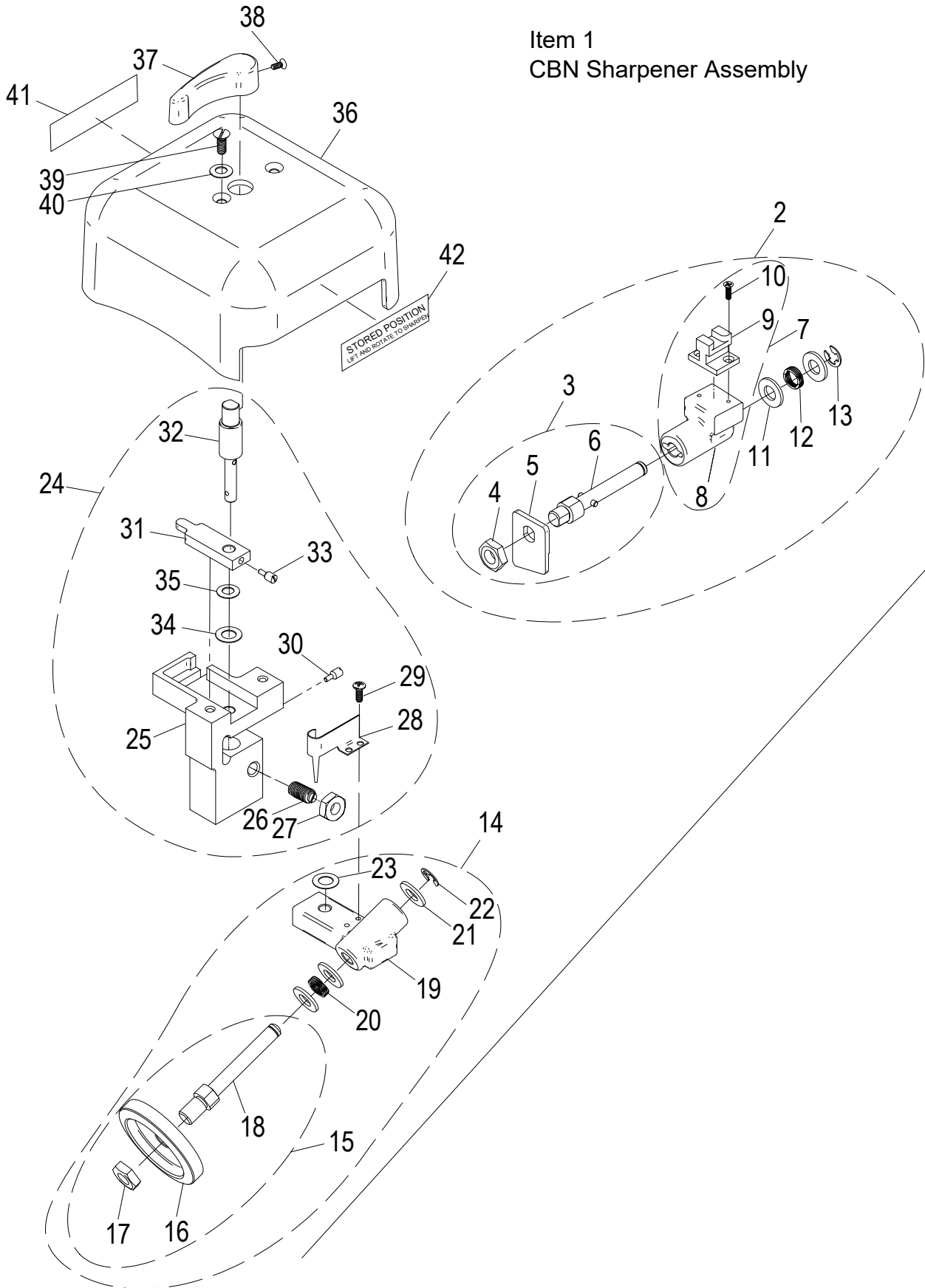


SG13A-22 Knife and Knife Cover Components

Item	Part Number	Description	Qty	Serial Number
1	450269	Removable Knife Assembly (Incl. items 2-6)	1	
2	450180	Removable Knife, 13"	1	
3	810274	Slotted Flat Head Screw, 10-32x0.5	3	
4	450268	Arby's Hub	1	
5	300033	Engagement Disk	1	
7	500051	Post, Service Knife Release	1	
8	250247	Knife Cover Assembly (Incl. items 9-15)	1	
9	460090	Knife Cover Sub-Assembly	1	
10	500045	Knife Cover Swivel Lock Assembly (Incl. items 11-15)	1	
11	520245	Knife Cover Swivel Lock	1	
12	810278	Flat Washer, No.10x0.44	2	
13	810279	Spring Washer #10 x 0.42	2	
14	810245	Nut, 6-32 INC-2B Hex, with Nylon Insert	1	
15	520237	Barrel Plug, Push-In	1	



SG13A-22 Sharpener Assembly Components



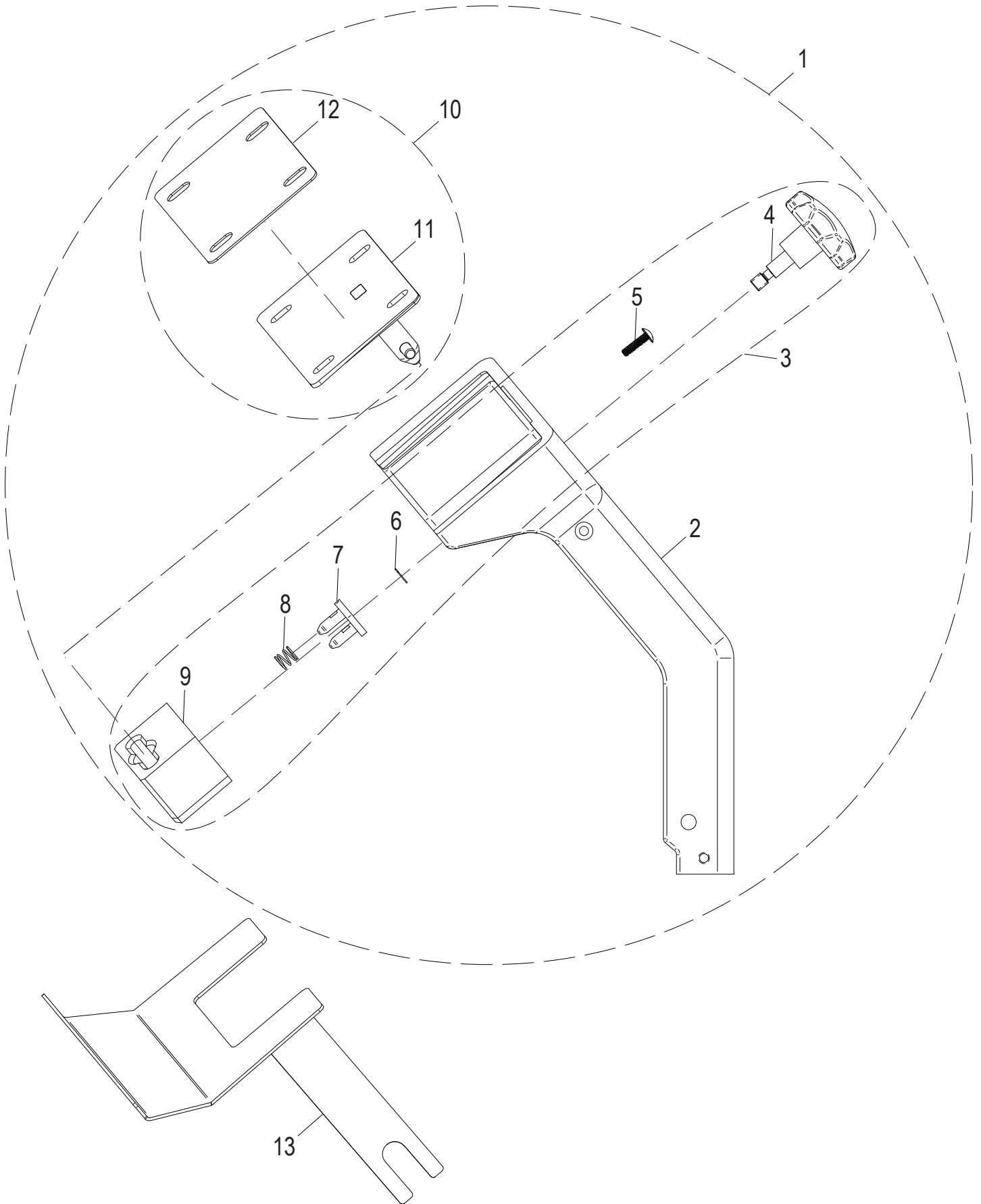


SG13A-22 Sharpener Assembly Components

Item	Part Number	Description	Qty	Serial Number
1	440044-02	CBN Sharpener Assembly (Incl. items 2-41)	1	
2	430051	CBN Honing Stone Assembly (Incl. items 3-12)	1	
3	940033	CBN Honing Stone Shaft Assembly (Incl. items 4-6)	1	
4	810430	Jam Nut 3/8-24	1	
5	240045	Honing Stone	1	
6	450163	Honing Stone Dowel Assembly	1	
7	400291	Honing Stone Bracket Kit	1	
8	430032	Honing Stone Bracket	1	
9	430042	Honing Stone Slide	1	
10	810222	Phillips Flat Head Screw #4-40 x 0.38	2	
11	810272	Flat Washer 5/16 x 0.63	2	
12	810362	Wave Spring 0.38 x 0.49 x 0.14	1	
13	810273	External Retaining Ring, Type E 0.243 x .50	1	
14	430052	CBN Sharpening Stone Assembly (Incl. items 14-22)	1	
15	940044	CBN Sharpening Stone Shaft Assembly (Incl. items 15-17)	1	
16	410048	Sharpening Stone	1	
17	810430	Jam Nut 3/8-24	1	
18	460065	Sharpening Stone Shaft	1	
19	430031	Sharpening Stone Bracket	1	
20	810361	Wave Spring 0.37 x 0.49 x 0.15	1	
21	810272	Flat Washer 5/16 x 0.63	3	
22	810273	External Retaining Ring, Type E 0.243 x .50	1	
23	810437	Flat Washer 5/16 x 0.57	1	
24	400137	Sharpener Mount Center Kit (Incl. items 24-34)	1	
25	430045	Sharpener Center Mount	1	
26	810488	Slotted Ball Plunger, 1/4-28 x 0.531	1	
27	810489	Jam Nut 1/4-28	1	
28	310137	Sharpener Return Spring	1	
29	810271	Phillips Pan Head Screw #6-32x0.375	2	
30	810344	Slotted Dog Point Set Screw #10-32 x 0.45	1	
31	430040	Honing Stone Lever	1	
32	400183	Sharpener Handle Shaft	1	
33	810344	Slotted Dog Point Set Screw #10-32 x 0.45	1	
34	810437	Flat Washer 5/16 x 0.57	1	
35	800184	Spring Washer 0.26x0.55x0.015	1	
36	250069	Sharpener Cover	1	
37	510041	Sharpener Handle, Top	1	Refer to Serial Number Document
37	500070	Sharpener Handle, Top	1	Refer to Serial Number Document
38	810233	Mach. Screw 8-32x1/2 Black, Phillips, w/Nylon Patch	1	Refer to Serial Number Document
38	800223	Phillips Flat Head Screw #8-32 x 0.375	1	Refer to Serial Number Document
39	810246	Slotted Truss Head Screw #10-32 x 0.50	2	
40	810279	Spring Washer #10 x 0.42	2	
41	920215	Label, Sharpen Position	1	
42	920216	Label, Stored Position	1	



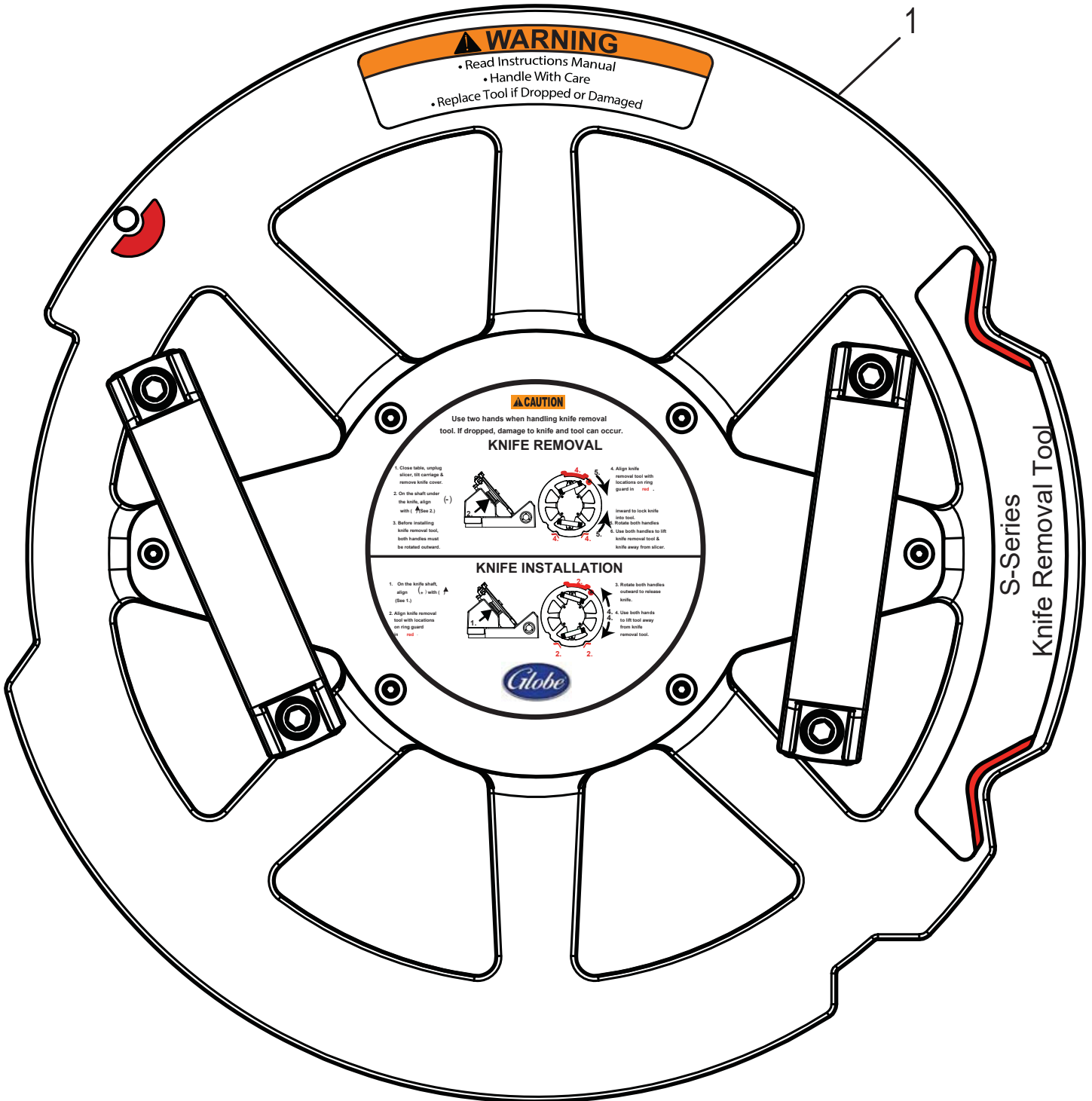
SG13A-22 Removable Carriage Components - Option





SG13A-22 Removable Carriage Components - Option

Item	Part Number	Description	Qty	Serial Number
1	450221	Removable Carriage Arm Assembly Kit	1	
2	450217	Carriage Arm for Removable Carriage	1	
3	450220	Removable Carriage Machanism Assembly Kit	1	
4	500056	Removable Carriage Knob Assembly	1	
5	810358	Slotted Truss Head Screw 1/4-20 x 1.00	2	
6	800082	E-Clip Retaining Ring for 1/4" Shaft	1	
7	420101	Lock Out Assembly	1	
8	800174	Compression Spring	2	
9	420103	Guide Block	1	
10	450219	Removable Carriage Attachment Assembly Kit	1	
11	420105	Carriage Attachment Assembly	1	
12	500057	Removable Carriage Gasket	1	
13	300110-01	Cover, Hardware	1	





SG13A-22 Knife Removal Tool

Item	Part Number	Description	Qty	Serial Number
1	450200-01	Removable Knife Tool Assembly	1	
2	450200-03	French Removable Knife Tool Assembly (Not Shown)	1	



SG13A-22 Wiring Schematic

