

# Parts Catalog



**S13**

## **S-Series Slicer Manual**

**Model: S13**

01/26/2026 Rev. AG

IMPORTANT!

TO EXPEDITE SHIPMENT OF PARTS, ALWAYS SPECIFY MODEL, REV,  
PART NUMBER, AND SERIAL NUMBER OF UNIT.

## **GLOBE FOOD EQUIPMENT COMPANY**

2215 East River Road  
Dayton, Ohio 45439

### **Parts Department**

Toll Free 1-800-745-6238

E-Mail: [info@globefoodequip.com](mailto:info@globefoodequip.com)

Website: [www.globefoodequip.com](http://www.globefoodequip.com)

Not for resale

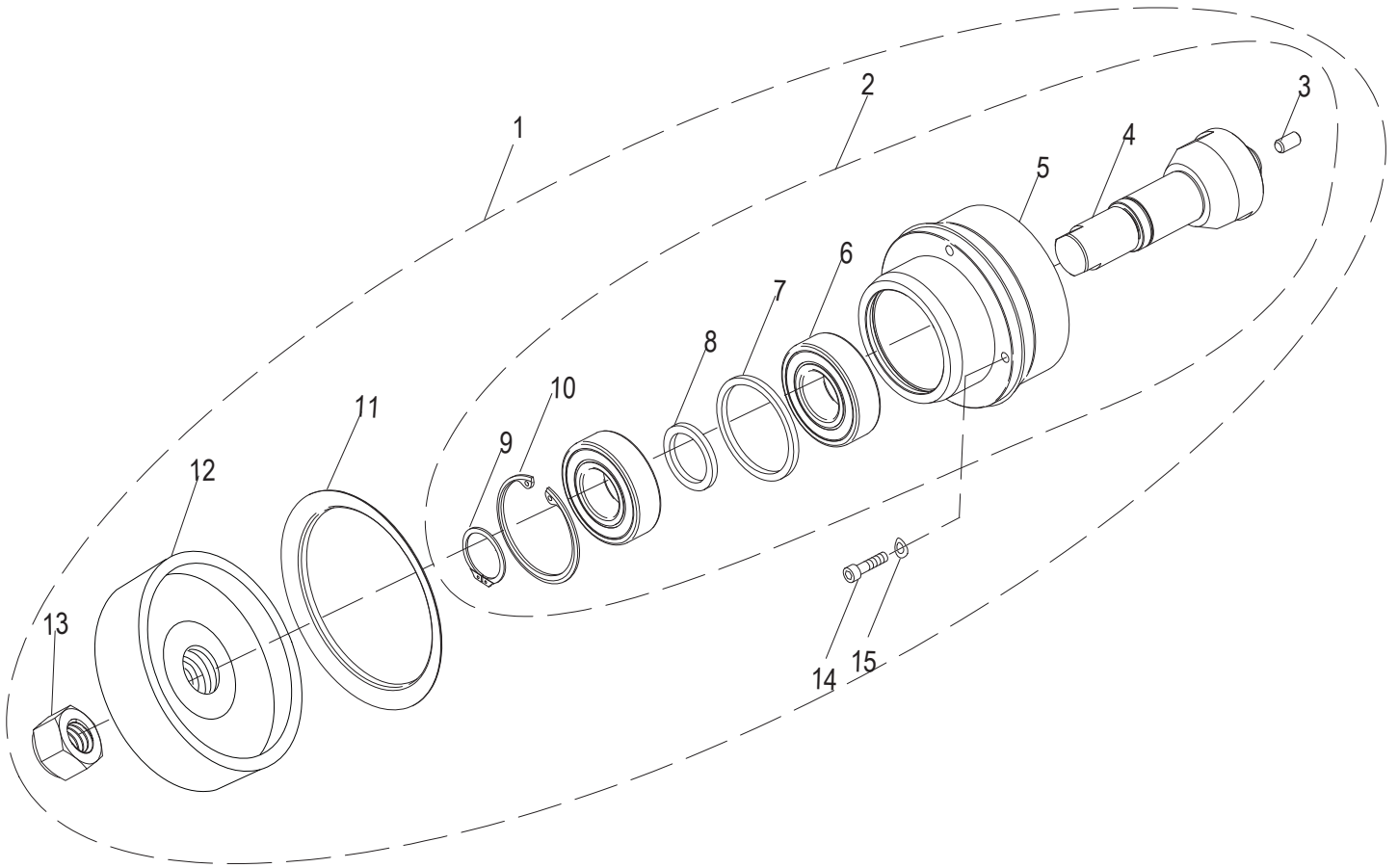


# Table of Contents

Description	Page
S13 Knife Drive Assembly Components	4
S13 Index Knob Components	6
S13 Base Shroud Components	8
S13 Gauge Plate Components	10
S13 Index Slide Assembly Components	12
S13 Ring Guard Assembly Components	14
S13 Electrical Base Components	16
S13 Knife Drive Motor Components	18
S13 Transport Arm Assembly Components	20
S13 Lift Lever Base Components	22
S13 Carriage and End Weight Assembly Components	24
S13 Knife and Knife Cover Components	26
S13 Grit Sharpener Assembly Components	28
S13 Removable Carriage Components - Option	30
S13 Knife Removal Tool - Option	32
S13 Removable Knife Kit - Option	34
S13 Removable Knife Drive Kit - Option	36
S13 Wiring Schematic	38



# S13 Knife Drive Assembly Components





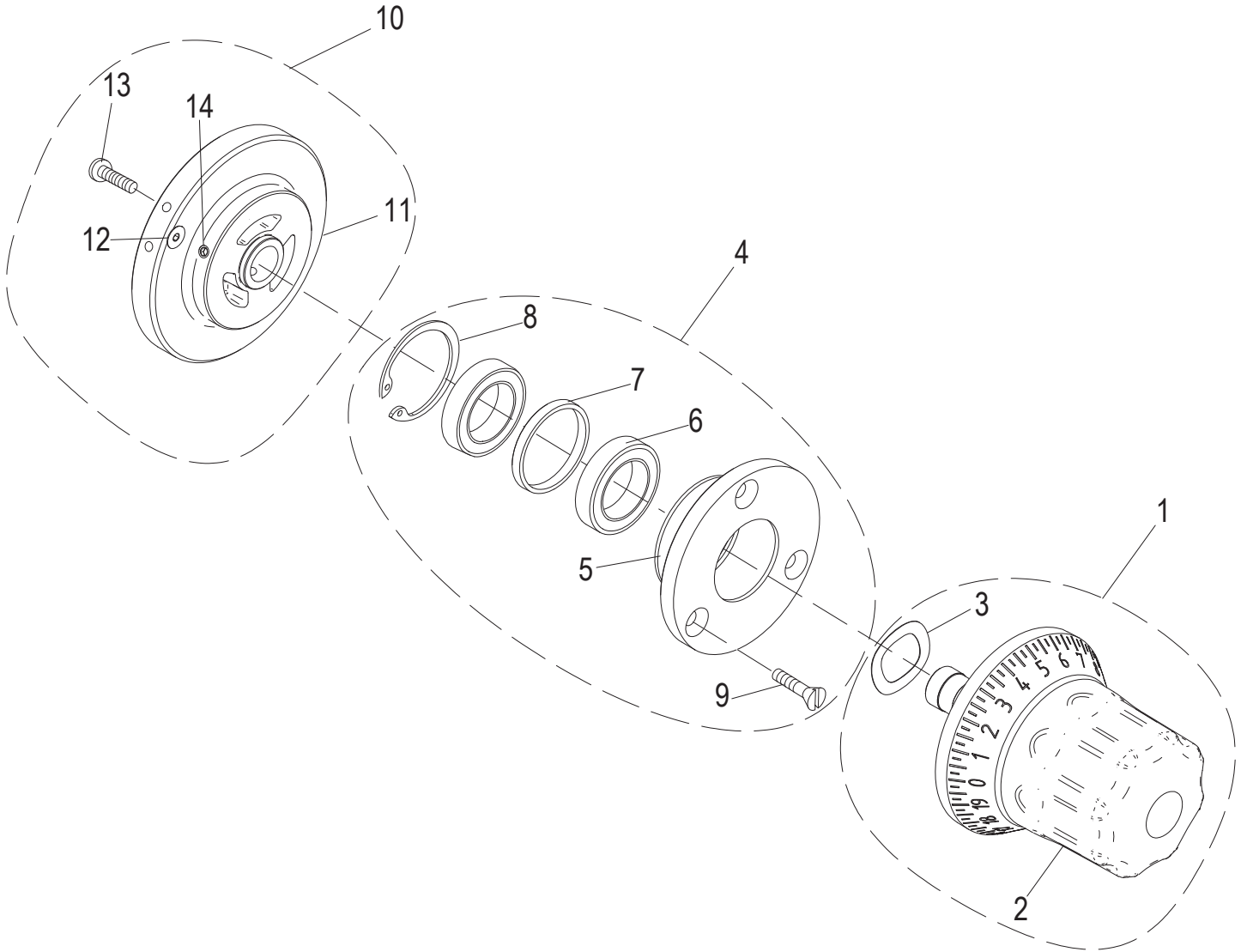
## S13 Knife Drive Assembly Components

---

Item	Part Number	Description	Qty	Serial Number
1	450211	Knife Drive Assembly (Incl. items 2-15)	1	
3	510078	Knife Cover Bumper	1	
6	820045-02	Ball Bearing, Sealed	2	
7	450119	Outer Ring, Bearing Spacer	1	
8	450118	Inner Ring, Bearing Spacer	1	
9	800010	Retaining Ring 5101-98 Bowed External	1	
10	810427	Retaining Ring N5002-200	1	
11	520244	Knife Drive Boot	1	
12	450115	Knife Drive Pulley	1	
13	510033	Hex Nut, 7/8-20 Zinc	1	
14	810229	Socket Head Cap Screw 1/4-20x0.75	4	
15	810275	Spring Washer, 1/4x0.5	4	



# S13 Index Knob Components





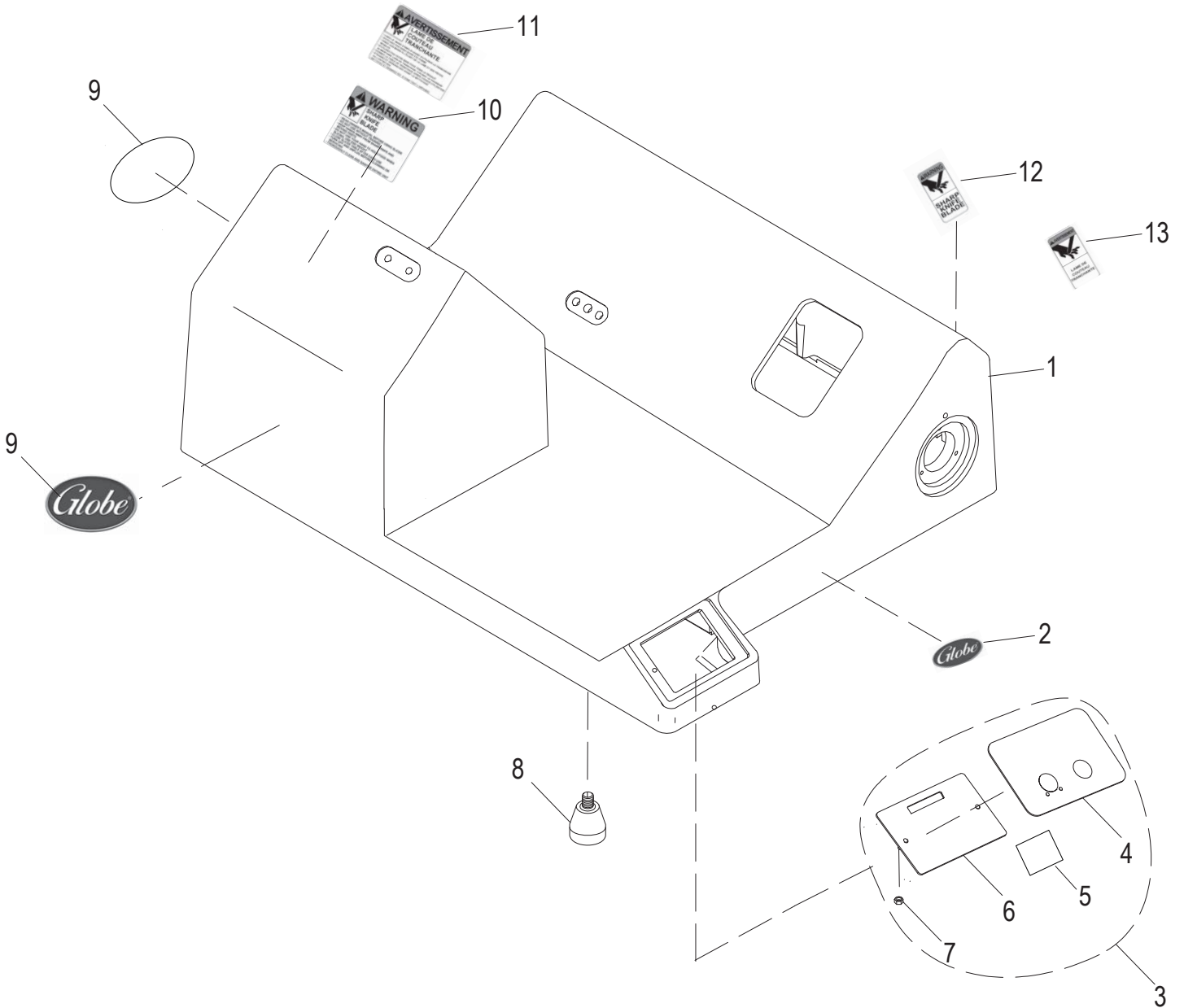
## S13 Index Knob Components

---

Item	Part Number	Description	Qty	Serial Number
1	500044	Index Knob Kit (Incl. items 2-3)	1	
2	500022	Index Knob	1	
3	800136	Index Knob Tension Spring	1	
4	450214	Index Bearing Hub Assembly Kit (Incl. items 5-9)	1	
5	450150	Index Knob Bearing Hub	1	
6	800011	Ball Bearing 20x32	2	
7	450069	Spacer, Index Bearing	1	
8	800031	Internal Beveled Retaining Ring 1.388	1	
9	800104	Mach. Screw #10-24x5/8 Flat Hd Slotted	3	
10	500050	Index Cam Kit (Incl. items 11-14)	1	
11	520350	Index Cam	1	
12	800160	Socket Cap Screw #10-32x3/4 Flat Hd (SS)	1	
13	800105	Socket Cap Screw #10-32x5/8 Button-Hd	1	
14	810463	Set Screw, Knurl Grip Cup Pt 1/4-28x3/4 (SST)	3	



# S13 Base Shroud Components





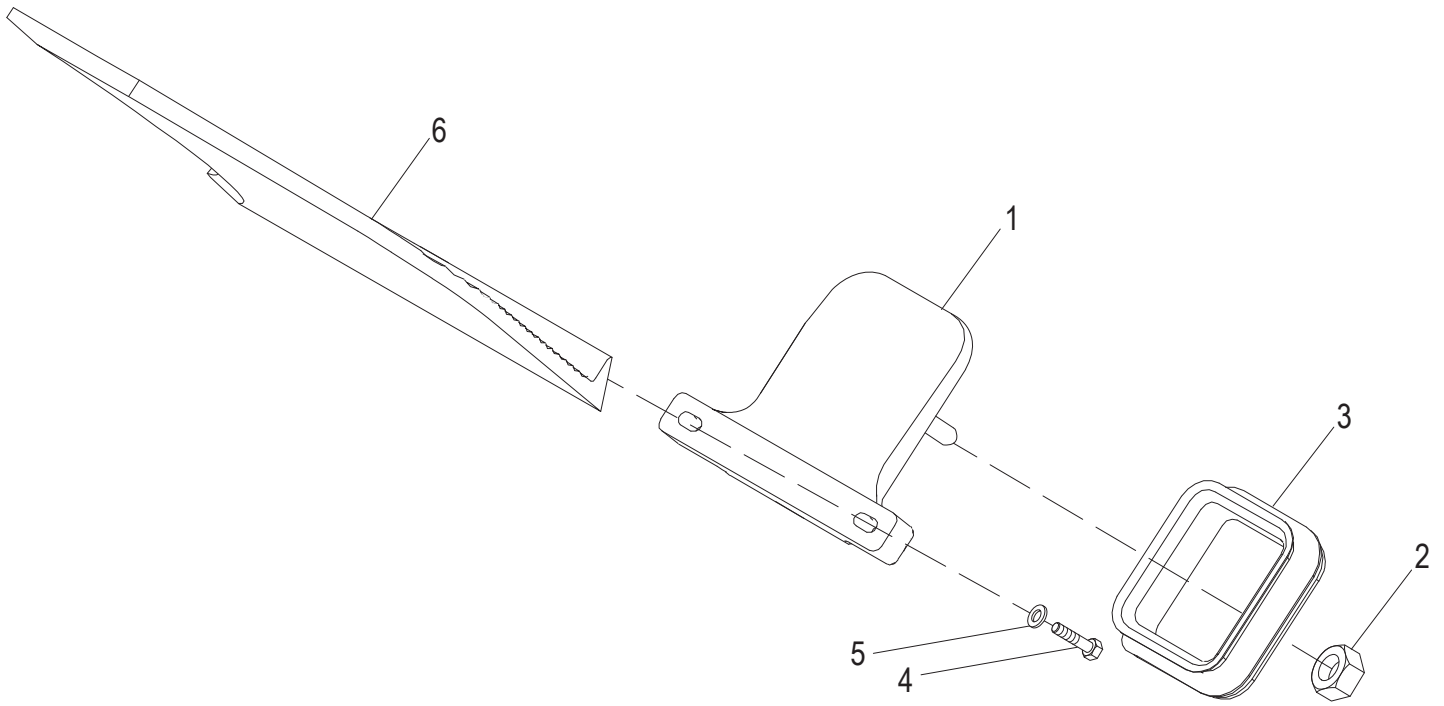
## S13 Base Shroud Components

---

Item	Part Number	Description	Qty	Serial Number
1	450161-03	Slicer Base	1	
2	<a href="#">871-2</a>	Globe Logo Decal 3.5"	1	
3	<a href="#">121070-01</a>	Membrane Switch Kit (Incls. items 4-7)	1	
4	<a href="#">910191</a>	Membrane Switch, Manual	1	
5	<a href="#">910088</a>	Pad, Alcohol Prep	1	
6	300091	User Interface Panel, Manual	1	
7	<a href="#">810422</a>	Nylon Locknut 6-32	2	
8	<a href="#">510031</a>	Slicer Foot	4	
9	<a href="#">920202</a>	Globe Logo Decal S - Series	2	
10	<a href="#">920200</a>	Warning Label, Large	1	
11	<a href="#">920198</a>	Warning Label, Large French	1	
12	<a href="#">920201</a>	Warning Label, Small	1	
13	<a href="#">920199</a>	Warning Label, Small French	1	



# S13 Gauge Plate Components





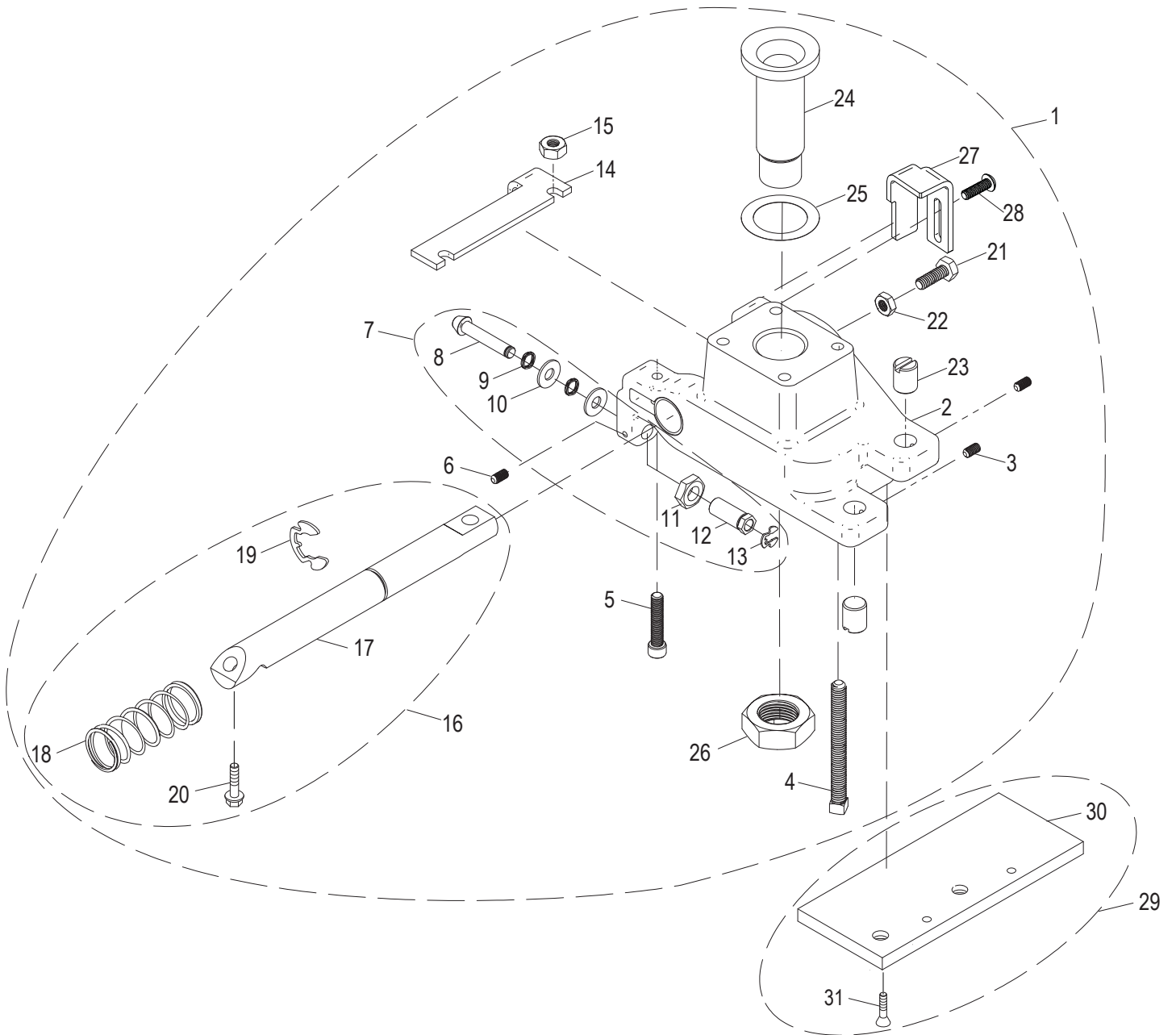
## S13 Gauge Plate Components

---

Item	Part Number	Description	Qty	Serial Number
1	450212	Gauge Plate Base Assembly	1	
2	450054	Post Nut, Gauge Plate Ball Joint	1	
3	500001	Gauge Plate Seal	1	
4	890411	Cap Screw 3/8-16x1-1/2, Hex Hd with Nylon Patch	2	
5	810228	Flat Washer, fits 3/8 Screw, .885 OD	2	
6	450070	Gauge Plate	1	



# S13 Index Slide Assembly Components





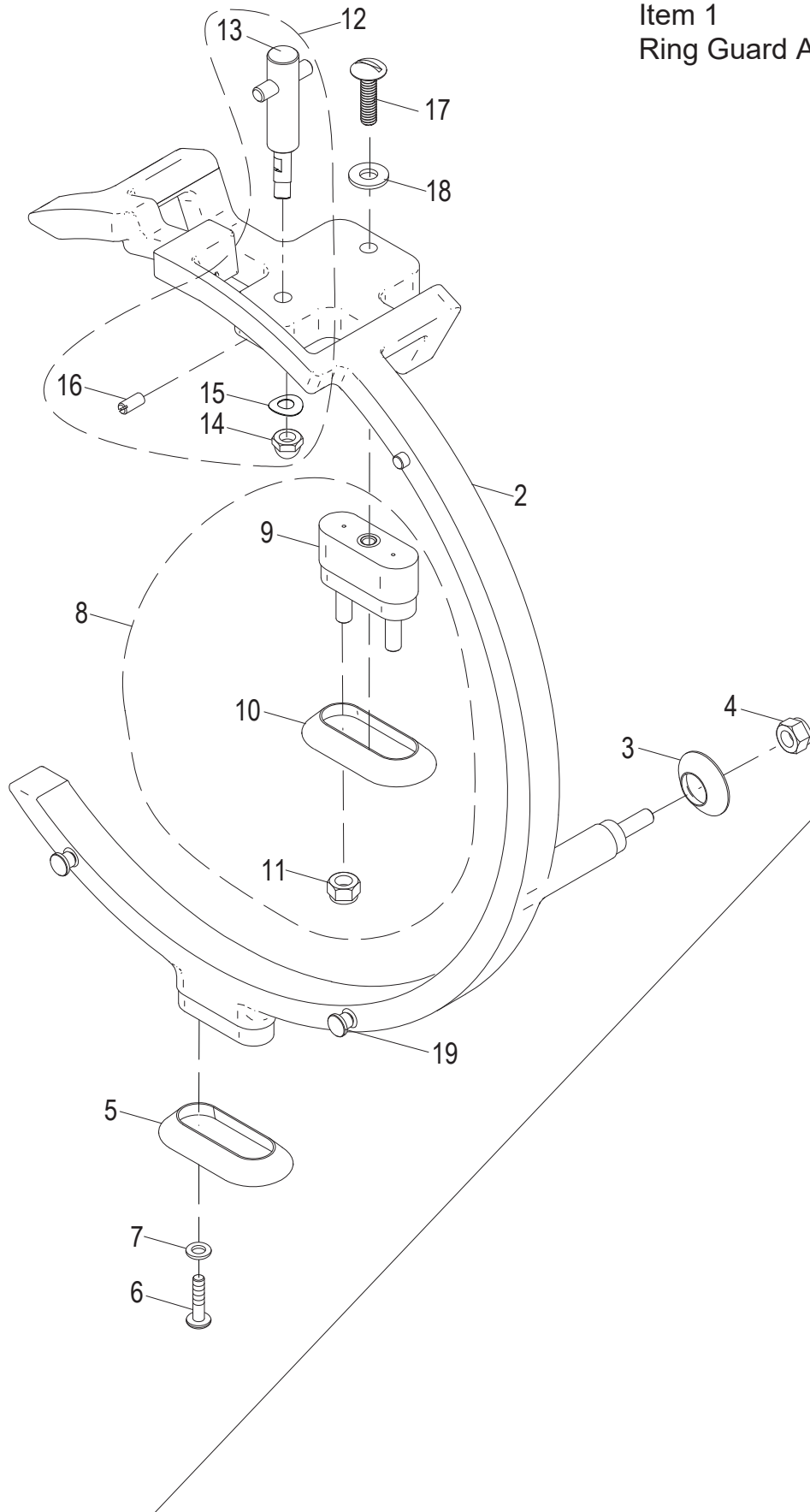
## S13 Index Slide Assembly Components

Item	Part Number	Description	Qty	Serial Number
1	400140	Index Slide Kit (Incl. items 2-28)	1	
2	430028	Index Slide with Bushings	1	
3	810400	Set Screw #10-32x3/8 Cup Pt.	2	
4	800146	Set Screw 5/16-18x3 Sq. Hd Cup Point	4	
5	800144	Cap Screw 1/4-28x1-1/4 Socket Hd	2	
6	800091	Hex Socket Knurl-Cup Point Set Screw 8-32 X 0.1875"	1	
7	400121	Cam Follower Kit (Incl. items 8-13)	1	
8	450153	Follower	1	
9	800163	Wave Spring Cam Follower	2	
10	810410	Flat Washer 0.266x0.625	2	
11	810430	Jam Nut 3/8-24	1	
12	450152	Follower Adjustment Post	1	
13	810379	Retaining Clip Ring 5304-18	1	
14	300153	Stop Plate, Tilt Back	1	
15	800145	Nut 1/4-28 Hex	2	
16	400122	Index Slide Shaft Kit (Incl. items 17-20)	1	
17	450058	Index Slide Shaft	1	
18	800154	Index Spring	1	
19	800152	Retaining Ring (Klipring) 5304-75	1	
20	800058	Washer 5/16-18-1 Hex Hd Tapping Screw	2	
21	810431	Hex Head Screw 1/4-20x0.75	1	
22	810432	Jam Nut 1/4-20	1	
23	450057	Screw, Anti-Rotation	2	
24	450050	Ball Joint Rest	1	
25	800168	Gauge Plate Spacer Kit (Kit of 4)	1	
26	800043	Nut 7/8-14 UNF Hex Jam	1	
27	300154	Adjustment Stop	1	
28	800105	Socket Cap Screw #10-32x5/8 Button-Hd	2	
29	400128	Anti-Rotation Plate Kit (Incl. items 29-31)	1	
30	450056	Anti-Rotation Plate	1	
31	810003	Screw 1/4-20x3/4 Crossed Rec., Flat Hd, Tapping	2	



## S13 Ring Guard Assembly Components

Item 1  
Ring Guard Assembly



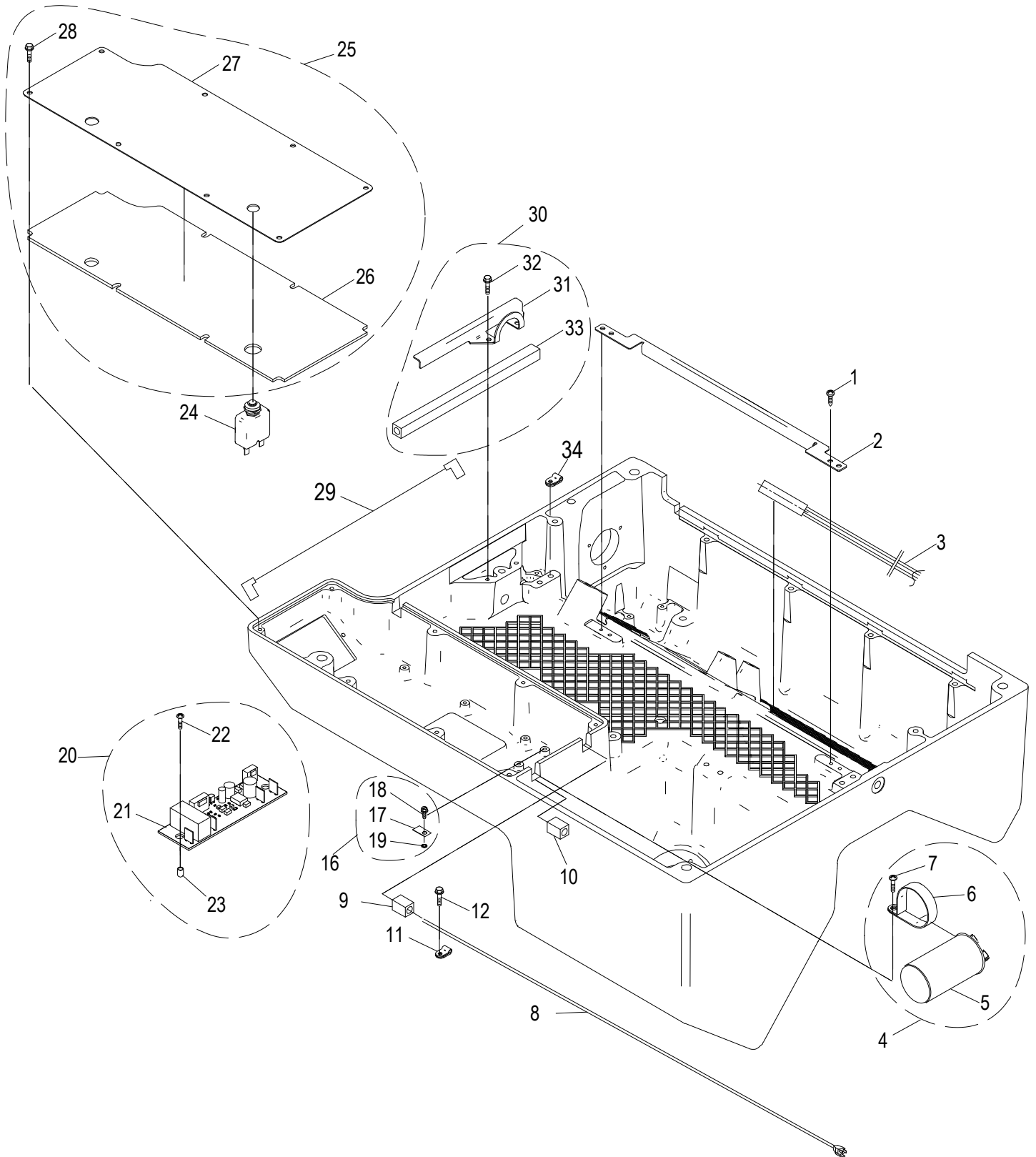


## S13 Ring Guard Assembly Components

Item	Part Number	Description	Qty	Serial Number
1	500047-01	Ring Guard Assembly Kit (Incl. items 2-19)	1	
2	520316	Ring Guard	1	
3	520243	Round Boot, Ring Guard	1	
4	810438	Nylon Insert Lock Nut 1/4-20	1	
5	520242	Oval Boot, Ring Guard	1	
6	810358	Slotted Truss Head Screw 1/4-20 x 1.00	2	
7	810345	Flat Washer, 1/4 x 0.63	2	
8	450213	Ring Guard Spacer Kit (Incl. items 9-11)	1	
9	460064	Spacer, Ring Guard	1	
10	520242	Oval Boot, Ring Guard	1	
11	810438	Nylon Insert Lock Nut 1/4-20	2	
12	460069-01	Sharpener Mount Kit, Standard (Incl. items 13-16)	1	
13	450131	Sharpener Mount Kit	1	
14	800185	Acorn Nut, 1/4-28	1	
15	800184	Spring Washer 0.26x0.55x0.015	1	
16	810483	Slotted Set Screw, #10-32x0.50	1	
17	810358	Slotted Truss Head Screw 1/4-20 x 1.00	1	
18	810345	Flat Washer, 1/4 x 0.63	1	
19	450130	Locator Pin	2	



# S13 Electrical Base Components



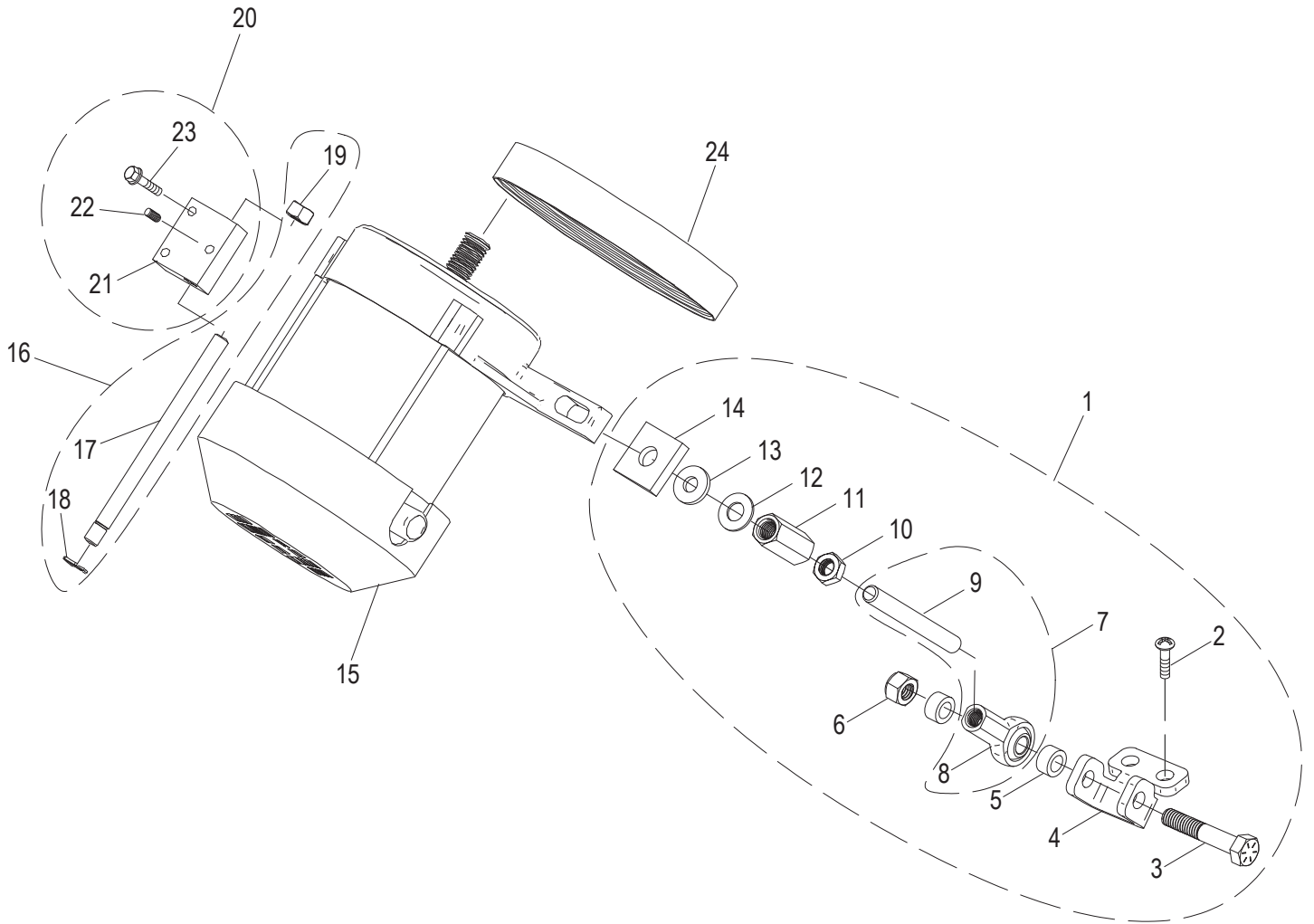


## S13 Electrical Base Components

Item	Part Number	Description	Qty	Serial Number
1	800069	Phillips Round Head Thread Forming Screw 8-32 x 0.375"	4	
2	310208	Inner Wireway Cover	1	
3	110107	Harness, Reed Switch, Knife Cover Sensor	1	
4	121082-01	120V Capacitor Kit (Incl. items 5-7)	1	
5	140015	Capacitor, Knife Motor 120V (For Use w/120V Units)	1	
6	110228	Capacitor Clamp (120V)	1	
7	800069	Phillips Round Head Thread Forming Screw 8-32 x 0.375"	1	
4	121082-02	220V Capacitor Kit (Incl. items 9-11) Not Shown	1	
5	140016	Capacitor, Knife Motor (220V) Not Shown	1	
6	110229	Capacitor Clamp (220V) Not Shown	1	
7	800069	Phillips Round Head Thread Forming Screw 8-32 x 0.375" Not Shown	1	
8	130225	Power Supply Cord, 120VAC, 15A	1	
9	510045-01	Sleeve, Large Diameter Wire	1	
10	510044-01	Sleeve, Small Diameter Wire	1	
11	110227	Power Cord Strain Relief	1	
12	800057	Screw 1/4-20x.75 Hex Washer Hd Tapping	1	
13	130008-01	Power Cord (220V/50Hz) Not Shown	1	
14	130226	Power Supply Cord Not Shown	1	
15	130228	Male Power Plug, Europe CEE7/7, 50Hz Not Shown	1	
13	130008-02	Power Cord (220V/60Hz) Not Shown	1	
14	130226	Power Supply Cord Not Shown	1	
15	130227	Three Blade Male Plug, NEMA 3-15, 60Hz Not Shown	1	
16	121080	Ground Location Tab Kit (Incl. items 17-19)	1	
17	910184	Tab, Ground Location	1	
18	800202	Green Slotted Hex Washer Head Screw #8-32 x 0.312	1	
19	800115	External Tooth Lock Washer #8x0.381	1	
20	100024	Manual Control Board Kit (Incl. items 21-23)	1	
21	121003	Manual Control Board Assembly	1	
22	800175	Screw #8-32x3/4 Crossed Recessed Tapping	4	
23	810450	Self Retaining Spacer	4	
24	140017-01	Circuit Breaker	1	
24	140017-02	Circuit Breaker (220V) Not Shown	1	
25	300063	Electronics Cover & Gasket Kit (Incl. items 26-28)	1	
26	500016	Gasket, Electronic Cover	1	
27	300013	Cover, Electronics	1	
28	800067	Screw #10-24x1/2 Hex Washer Hd Tapping	8	
29	100125	Wire Harness, Circuit Breaker	1	
30	300067-01	Front Wireway Cover Kit (Incl. items 31-33)	1	
31	310207	Cover, Front Wireway	1	
32	800067	Screw #10-24x1/2 Hex Washer Hd Tapping	2	
33	510044-02	Sleeve, Small Diameter Wire	1	
34	110226	Clamp, Nylon Loop	1	



# S13 Knife Drive Motor Components



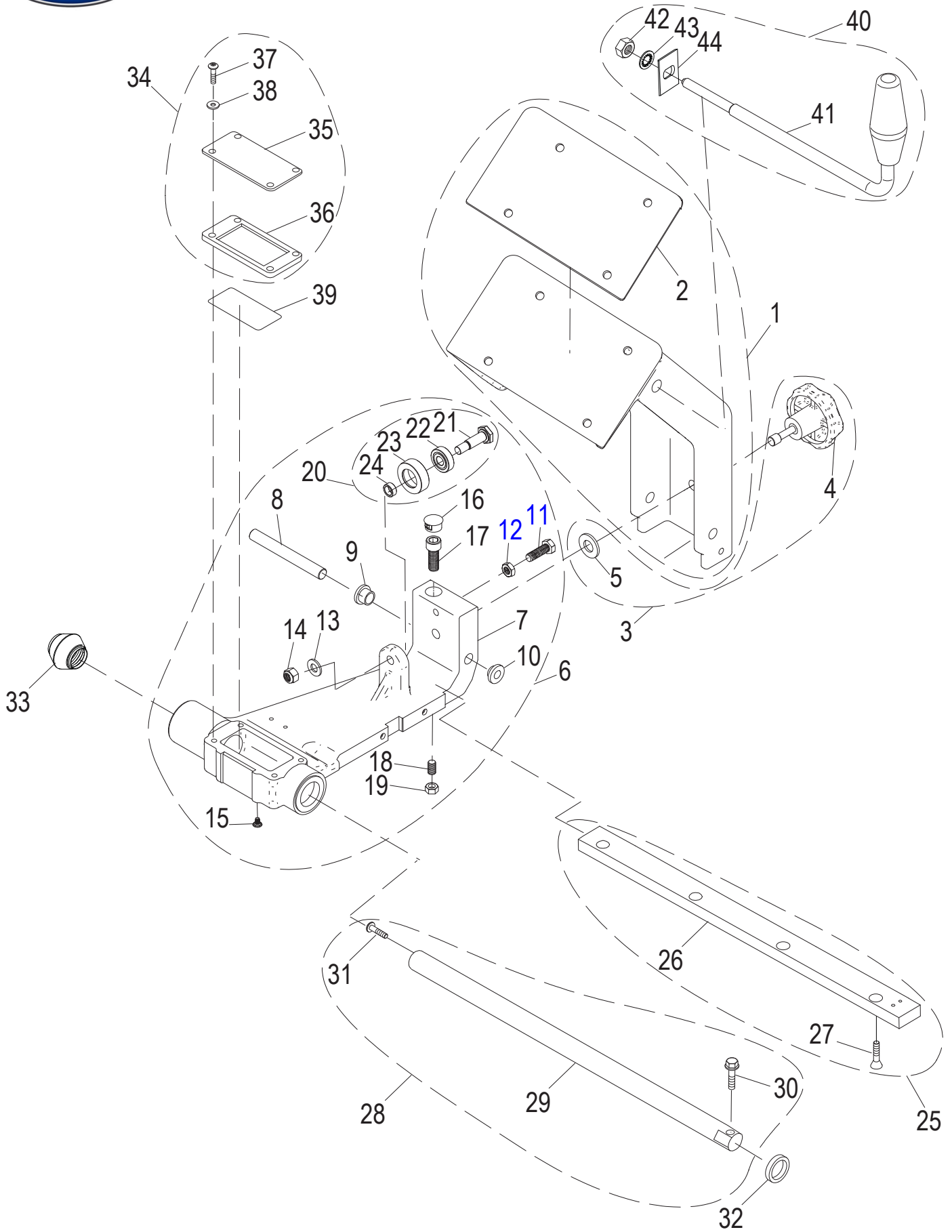


## S13 Knife Drive Motor Components

Item	Part Number	Description	Qty	Serial Number
1	400124	Knife Tensioner Kit (Incl. items 2-14)	1	
2	800135	Thread Forming Screw 1/4-20x5/8 PHP	2	
3	810419	Cap Screw, 5/16-18x1.75 Hx Hd	1	
4	300023	Knife Motor Tensioner Bracket	1	
5	500033	Sleeve Spacer	2	
6	810420	Nylon Insert Locknut 5/16-18	1	
7	400125	Threaded Ball Joint, Knife Tensioner (Incl. items 8-9)	1	
8	800093	Ball Joint Rod End 5/16'-24 Thd	1	
9	450034	Tension Shaft 5/16-24 x 3 Full Thread	1	
10	810414	Nut 5/16-24 UNF Zinc Plated Steel Hex Jam	1	
11	800162	Nut 5/16-24x1 Hex Coupling	1	
12	810416	Flat Washer, 5/16 x 0.69	1	
13	810417	Washer 5/16 Neoprene	1	
14	800161	Washer 5/16 Leveling	1	
15	120158-01	Knife Drive Motor, Single Phase, 120V, 60Hz	1	
15	120158-02	Knife Drive Motor, Single Phase, 220V, 60Hz Not Shown	1	
15	120158-03	Knife Drive Motor, Single Phase, 220V, 50Hz Not Shown	1	
16	400113	Motor Mount Pivot Rod Assembly (Incl. items 17-19)	1	
17	400026	Motor Mount Pivot Rod	1	
18	810429	External Retaining Ring 0.25x0.042	1	
19	810420	Nylon Insert Locknut 5/16-18	1	
20	400123	Motor Pivot Block Kit (Incl. items 21-23)	1	
21	450117	Motor Pivot Block	1	
22	800094	Hex Socket Knurl-Cup Point Set Screw 10-32 x 0.25	1	
23	800068	Washer #10-24x1 Hex Hd Tap. Screw Slotted	2	
24	800092	Knife Drive Belt	1	



# S13 Transport Arm Assembly Components





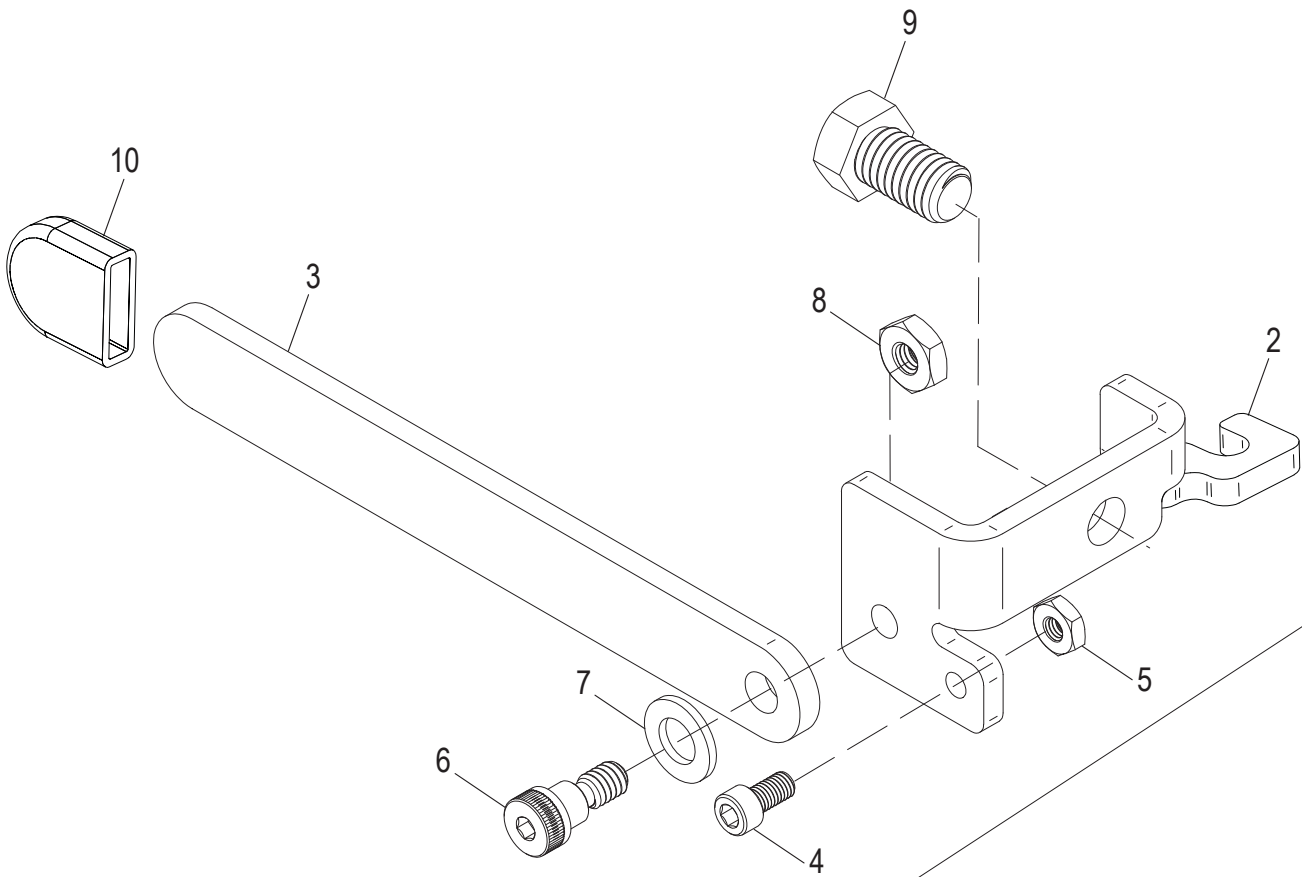
## S13 Transport Arm Assembly Components

Item	Part Number	Description	Qty	Serial Number
1	400129	Carriage Arm & Gasket Kit (Incl. item 2)	1	
2	500004	Carriage Arm Gasket	1	
3	500052	Carriage Knob & Captive Clip Kit (Incl. items 4-5)	1	
4	500026	Carriage Arm Tie Down Knob	1	
5	800180	Washer, Nylon	1	
6	400115	Transport Replacement Assembly (Incl. items 7-24)	1	
7	420062	Transport with Bushings	1	
8	400017	Transport Attachment Pin	1	
9	810237	Shoulder Washer .51 IDx.88 Nylon	1	
10	810238	Shoulder Washer .51 IDx1.125 Nylon	1	
11	810406	Hex Cap Screw 5/16-24x1,18-8 (SST)	1	
12	810414	Nut 5/16-24 UNF Zinc Plated Steel Hex Jam	1	
13	810272	Flat Washer 5/16 x 0.63	1	
14	810420	Nylon Insert Locknut 5/16-18	1	
15	810232	Phillips Pan Head Sealing Screw 8-32 x 0.25"	1	
16	810227	Dome Plug for 5/8 Hole	1	
17	810256	Socket Hd Cap Screw 3/8-16 x 1 (SST)	1	
18	800015	Transport Tie Down Screw 5/16-24x1.30"	1	
19	800048	Hex Nut 5/16-24	1	
20	800014	Roller Bearing Assembly (Incl. items 21-24)	1	
21	810351	Roller Bearing Bolt	1	
22	810363	Roller Bearing	1	
23	500003	Bearing Sleeve	1	
24	810352	Spacer Sleeve	1	
25	400131	Transport Roller Bar Kit (Incl. items 26-27)	1	
26	450061	Transport Roller Bar	1	
27	810004	Tapping Screw 1/4-20x1 Cross Rec. FH	4	
28	400132	Transport Shaft Kit (Incl. items 29-31)	1	
29	450060	Transport Shaft	1	
30	800059	Washer 5/16-18x1.25 Hex Hd Tapping Screw	1	
31	800071	Slotted Truss Head Screw 5/16-18x1.0	1	
32	500005	Transport Bumper	1	
33	800131	Sleeved Spring Assembly	1	
34	300064	Transport Cover Kit (Incl. items 35-38)	1	
35	300080	Transport Cover	1	
36	510058	Oil Well Gasket	1	
37	800109	Screw 1/4-20x.50 Button Hd Cap	1	
38	800079	Flat Washer, 1/4x0.625	1	
39	800053	Felt Insert	1	
40	400114	Carriage Arm Handle Assembly with Nut (Incl. items 41-44)	1	
41	460076	Carriage Arm Handle	1	
42	810224	Hex Nut, 1/2-13 Left Hand, Thread	1	
43	810226	Lock Washer, 1/2 Screw Size, Internal Tooth	1	
44	400155	Anti Rotation Block	1	



## S13 Lift Lever Base Components

### Item 1 Manual Kickstand Assembly





## S13 Lift Lever Base Components

---

Item	Part Number	Description	Qty	Serial Number
1	300046	Manual Kickstand Assembly (Incl. items 2-10)	1	
2	300044	Manual Kickstand Bracket	1	
3	300045	Manual Kickstand Arm	1	
4	800124	Socket Hd. Cap Screw #10-32 x 3/8 SST	1	
5	800125	Hex Nut, #10-32 SST	1	
6	800122	Long Shoulder 5/16" Dia. x 1/4" Screw 1/4"-20 Thrd	1	
7	810272	Flat Washer 5/16 x 0.63	1	
8	800128	Nylon-Insert Thin Hex Nut 1/4-20 SST	1	
9	800189	Cap Screw, 5/16-18 UNCx3/4 Hx Hd	1	
10	500062	Manual Kickstand Boot	1	



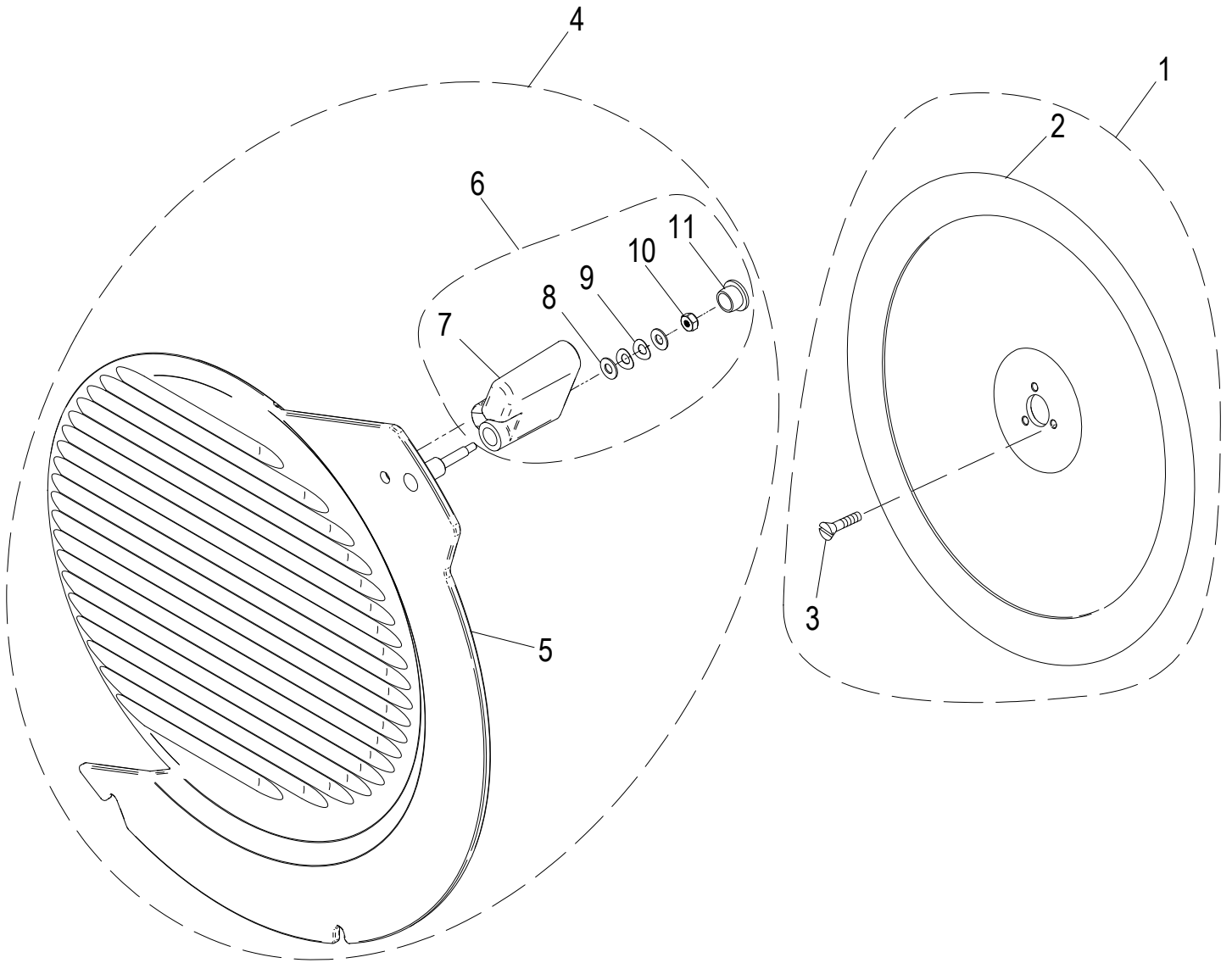


## S13 Carriage and End Weight Assembly Components

Item	Part Number	Description	Qty	Serial Number
1	400138	Carriage Assembly Kit (Incl. items 2-18)	1	
2	400012	Carriage Insert Assembly	1	
3	920196	Carriage Tilt Label	1	
4	920197	Carriage Tilt Label (French)	1	
5	800085	Washer 1/4" Screw, Self Aligning	4	
6	800188	Custom Nut, 1/4-20	4	
7	450158	End Weight Shaft Assembly	1	
8	400135	Rod Mount Kit End Weight (Incl. items 9-10)	1	
9	450156	End Weight Rod Mount	1	
10	800037	Mach. Screw 1/4-20 x 5/8 FH Slotted	2	
11	400136	End Weight Stop Kit (Incl. items 12-14)	1	
12	420094	End Weight Stop	1	
13	800038	Mach. Screw 1/4-20 x 5/8 RH Slotted	2	
14	800205	Stop Pin, Delrin End Weight	1	
15	500046	Thumb Guard Assembly (Incl. items 16-18)	1	
16	510065	Carriage Thumb Guard	1	
17	510038	Carriage Thumb Guard Gasket	1	
18	810366	Thumb Guard Screw	4	
19	500027-01	End Weight Assembly (Incl. items 20-26)	1	
20	420065	End Weight Arm Assembly	1	
21	500024	End Weight Handle	1	
22	800164	End Weight Face Washer Kit (Incl. items 23-24)	1	
23	800033-02	End Weight Face Washer	1	
24	800033-01	End Weight Face Washer	4	
25	500007	Molded End Weight Assembly	1	
26	800047	Delrin Pin, 1/8 Dia x 3/8	1	



# S13 Knife and Knife Cover Components





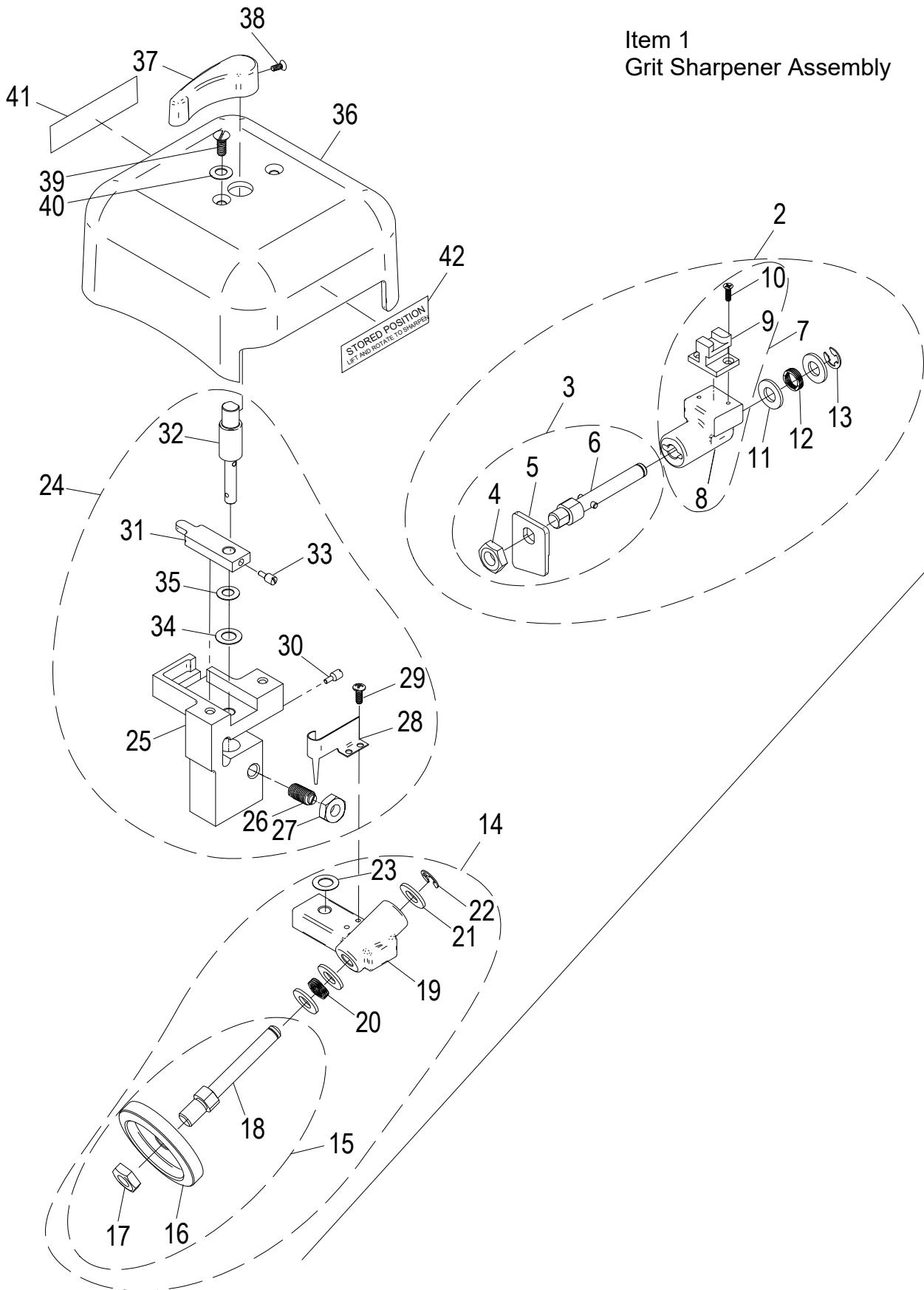
## S13 Knife and Knife Cover Components

Item	Part Number	Description	Qty	Serial Number
1	400139-01	Knife Kit (Incl. items 2-3)	1	
2	450170	13 Inch Steel Knife	1	
3	810274	Slotted Flat Head Screw, 10-32x0.5	1	
1	400161-01	Stainless Steel Knife Kit (Incl. items 2-3) Not Shown	1	
2	450171	Knife, 13 inch (SST) Not Shown	1	
3	810274	Slotted Flat Head Screw, 10-32x0.5 Not Shown	3	
4	250247	Knife Cover Assembly (Incl. items 5-11)	1	
5	460090	Knife Cover Sub-Assembly	1	
6	500045	Knife Cover Swivel Lock Assembly (Incl. items 7-11)	1	
7	520245	Knife Cover Swivel Lock	1	
8	810278	Flat Washer, No.10x0.44	2	
9	810279	Spring Washer #10 x 0.42	2	
10	810245	Nut, 6-32 INC-2B Hex, with Nylon Insert	1	
11	520237	Barrel Plug, Push-In	1	



# S13 Grit Sharpener Assembly Components

Item 1  
Grit Sharpener Assembly



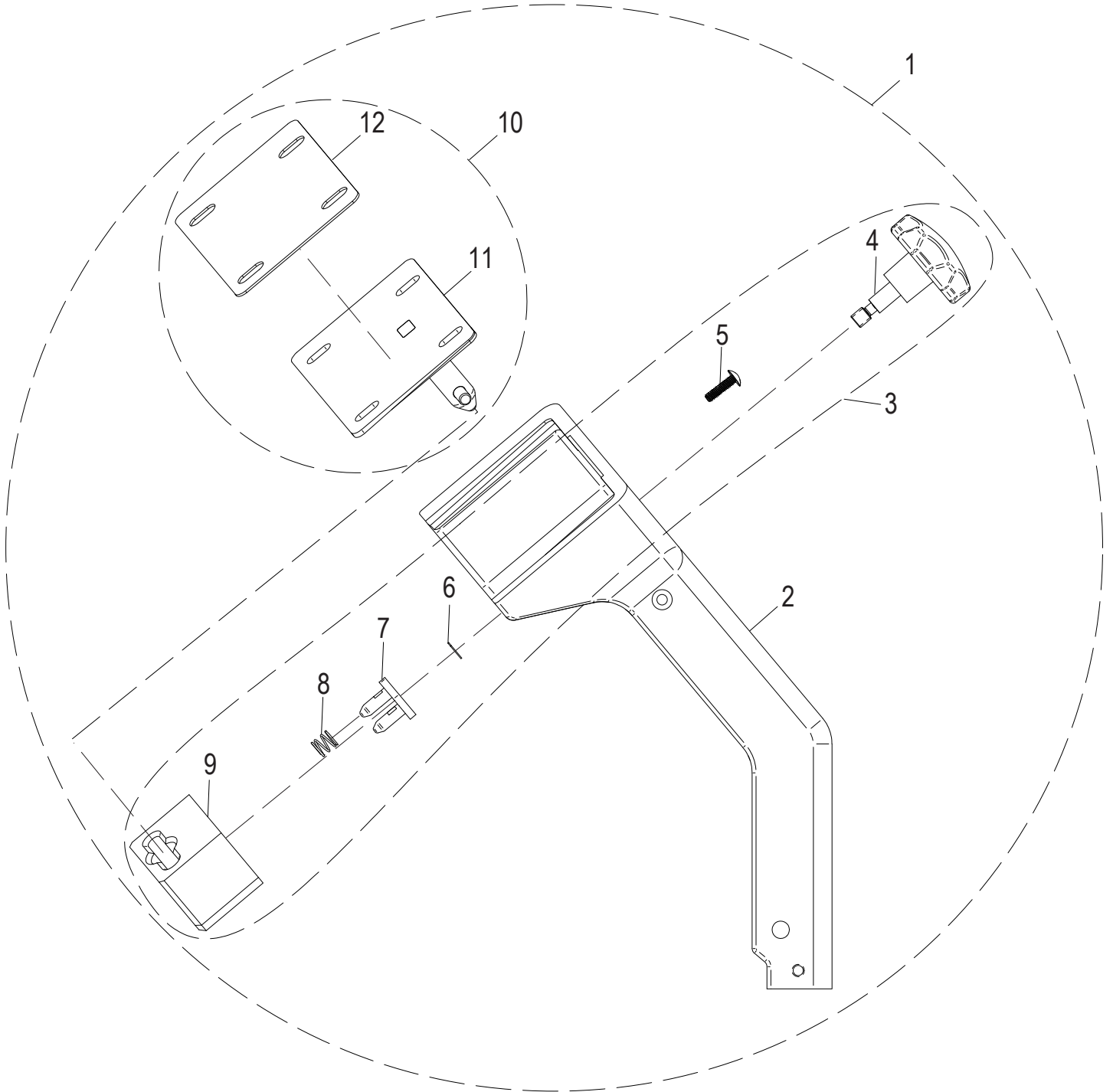


## S13 Grit Sharpener Assembly Components

Item	Part Number	Description	Qty	Serial Number
1	440044-03	Grit Sharpener Assembly (Incl. items 2-41)	1	S13-00-002951 ->
2	430051-02	Grit Honing Stone Assembly (Incl. items 3-12)	1	
3	940033-02	Grit Honing Stone Shaft Assembly (Incl. items 4-6)	1	
4	810430	Jam Nut 3/8-24	1	
5	200047	Flat Grit Honing Stone	1	
6	450163	Honing Stone Dowel Assembly	1	
7	400291	Honing Stone Bracket Kit (Incls. items 8-10)	1	
8	430032	Honing Stone Bracket	1	
9	430042	Honing Stone Slide	1	
10	810222	Phillips Flat Head Screw #4-40 x 0.38	2	
11	810272	Flat Washer 5/16 x 0.63	2	
12	810362	Wave Spring 0.38 x 0.49 x 0.14	1	
13	810273	External Retaining Ring, Type E 0.243 x .50	1	
14	430052-02	Grit Sharpening Stone Assembly (Incl. items 14-22)	1	
15	940044-02	Grit Sharpening Stone Shaft Assembly (Incl. items 15-17)	1	
16	410049	Grit Sharpening Stone	1	
17	810430	Jam Nut 3/8-24	1	
18	460065	Sharpening Stone Shaft	1	
19	430031	Sharpening Stone Bracket	1	
20	810361	Wave Spring 0.37 x 0.49 x 0.15	1	
21	810272	Flat Washer 5/16 x 0.63	3	
22	810273	External Retaining Ring, Type E 0.243 x .50	1	
23	810437	Flat Washer 5/16 x 0.57	1	
24	400137	Sharpener Mount Center Kit (Incl. items 24-35)	1	
25	430045	Sharpener Center Mount	1	
26	810488	Slotted Ball Plunger, 1/4-28 x 0.531	1	
27	810489	Jam Nut 1/4-28	1	
28	310137	Sharpener Return Spring	1	
29	810271	Phillips Pan Head Screw #6-32x0.375	2	
30	810344	Slotted Dog Point Set Screw #10-32 x 0.45	1	
31	430040	Honing Stone Lever	1	
32	400183	Sharpener Handle Shaft	1	
33	810344	Slotted Dog Point Set Screw #10-32 x 0.45	1	
34	810437	Flat Washer 5/16 x 0.57	1	
35	800184	Spring Washer 0.26x0.55x0.015	1	
36	250069	Sharpener Cover	1	
37	510041	Sharpener Handle, Top	1	Refer to Serial Number Document
37	500070	Sharpener Handle, Top	1	Refer to Serial Number Document
38	810233	Mach. Screw 8-32x1/2 Black, Phillips, w/Nylon Patch	1	Refer to Serial Number Document
38	800223	Phillips Flat Head Screw #8-32 x 0.375	1	Refer to Serial Number Document
39	810246	Slotted Truss Head Screw #10-32 x 0.50	2	
40	810279	Spring Washer #10 x 0.42	2	
41	920215	Label, Sharpen Position	1	
42	920216	Label, Stored Position	1	



**S13 Removable Carriage Components - Option**





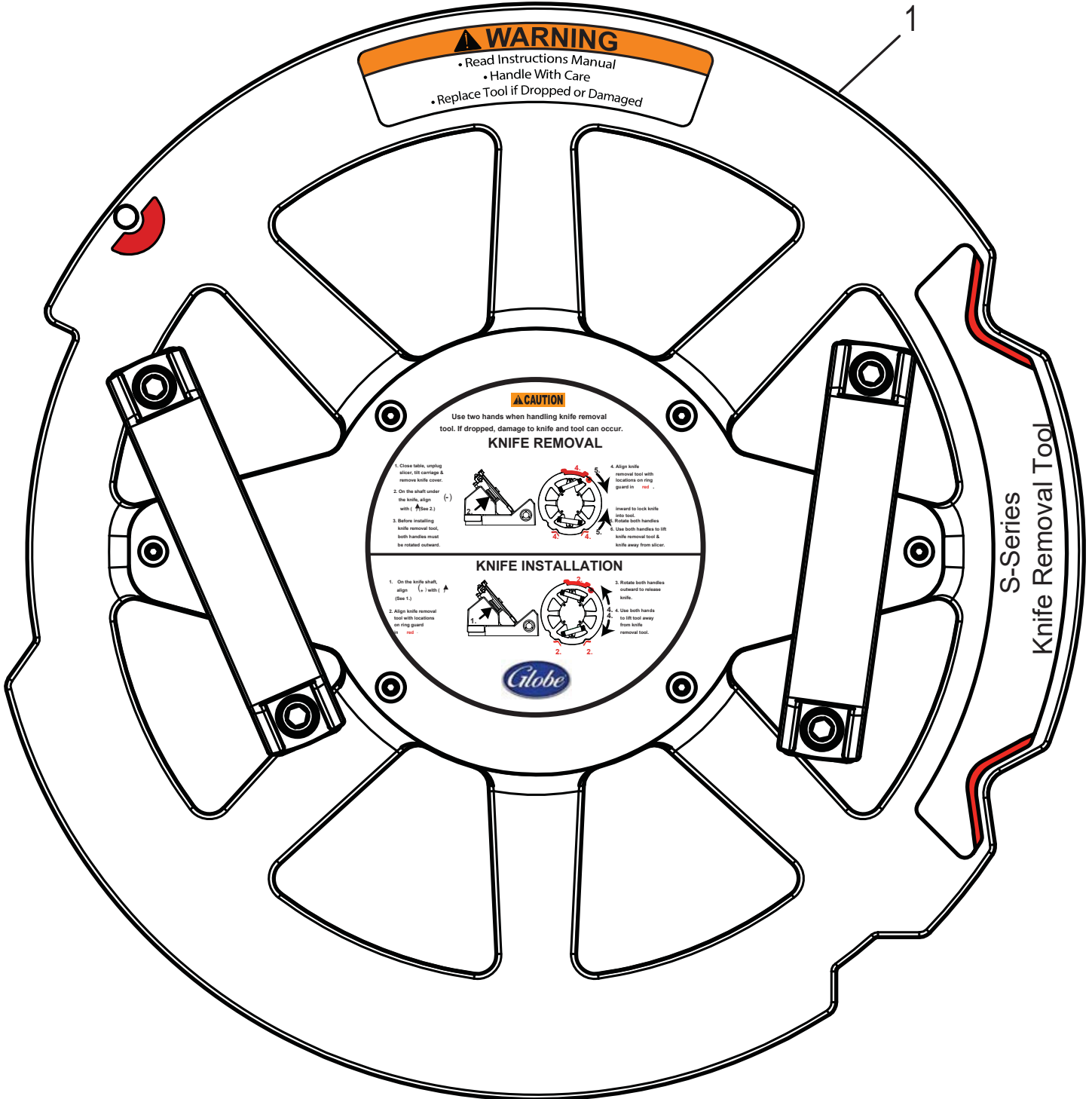
## **S13 Removable Carriage Components - Option**

---

<b>Item</b>	<b>Part Number</b>	<b>Description</b>	<b>Qty</b>	<b>Serial Number</b>
1	450221	Removable Carriage Arm Assembly Kit	1	
2	450217	Carriage Arm for Removable Carriage	1	
3	450220	Removable Carriage Machanism Assembly Kit	1	
4	500056	Removable Carriage Knob Assembly	1	
5	810358	Slotted Truss Head Screw 1/4-20 x 1.00	2	
6	800082	E-Clip Retaining Ring for 1/4" Shaft	1	
7	420101	Lock Out Assembly	1	
8	800174	Compression Spring	2	
9	420103	Guide Block	1	
10	450219	Removable Carriage Attachment Assembly Kit	1	
11	420105	Carriage Attachment Assembly	1	
12	500057	Removable Carriage Gasket	1	



# S13 Knife Removal Tool - Option





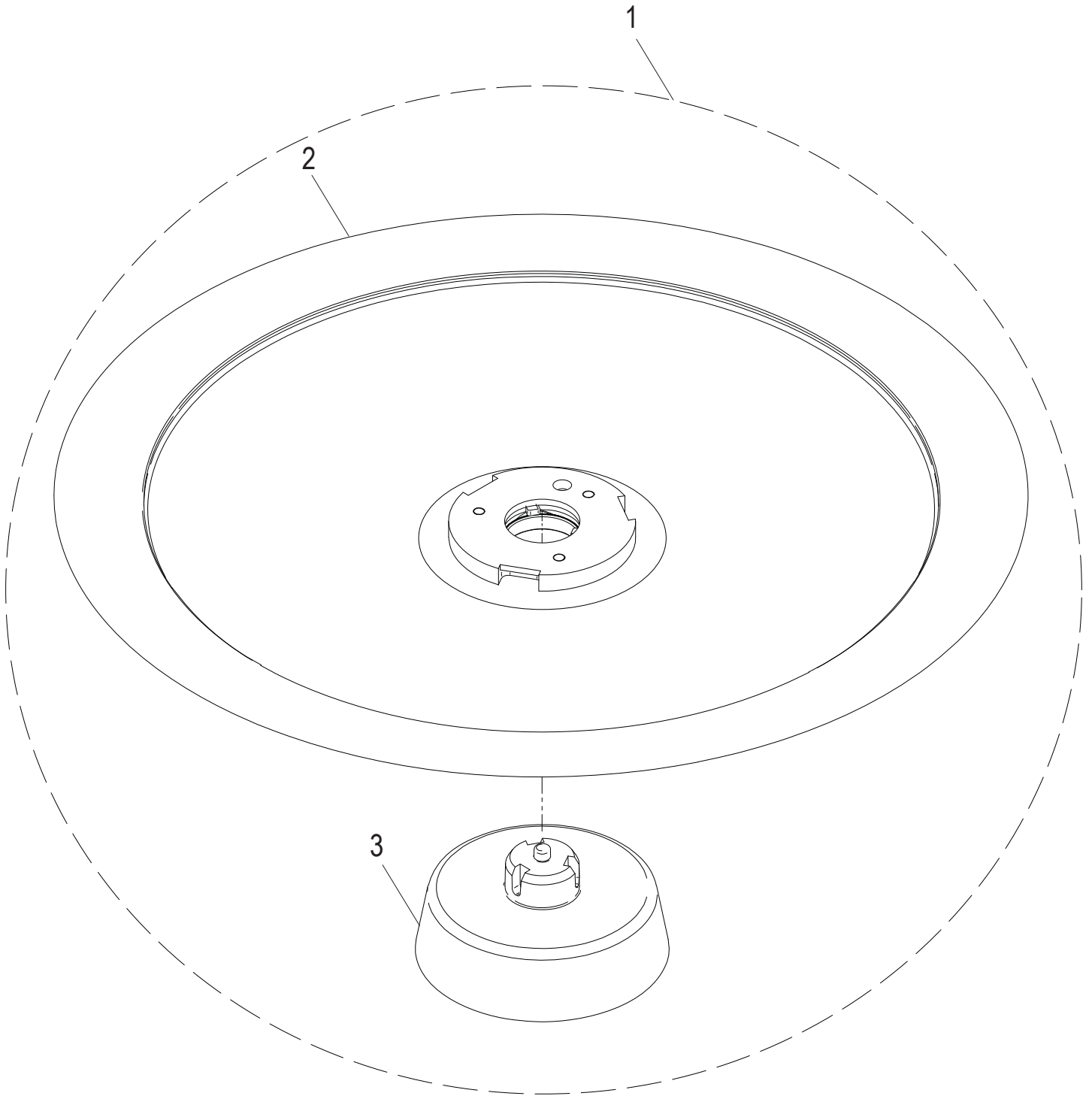
## S13 Knife Removal Tool - Option

---

Item	Part Number	Description	Qty	Serial Number
1	450200-01	Removable Knife Tool Assembly	1	



# S13 Removable Knife Kit - Option





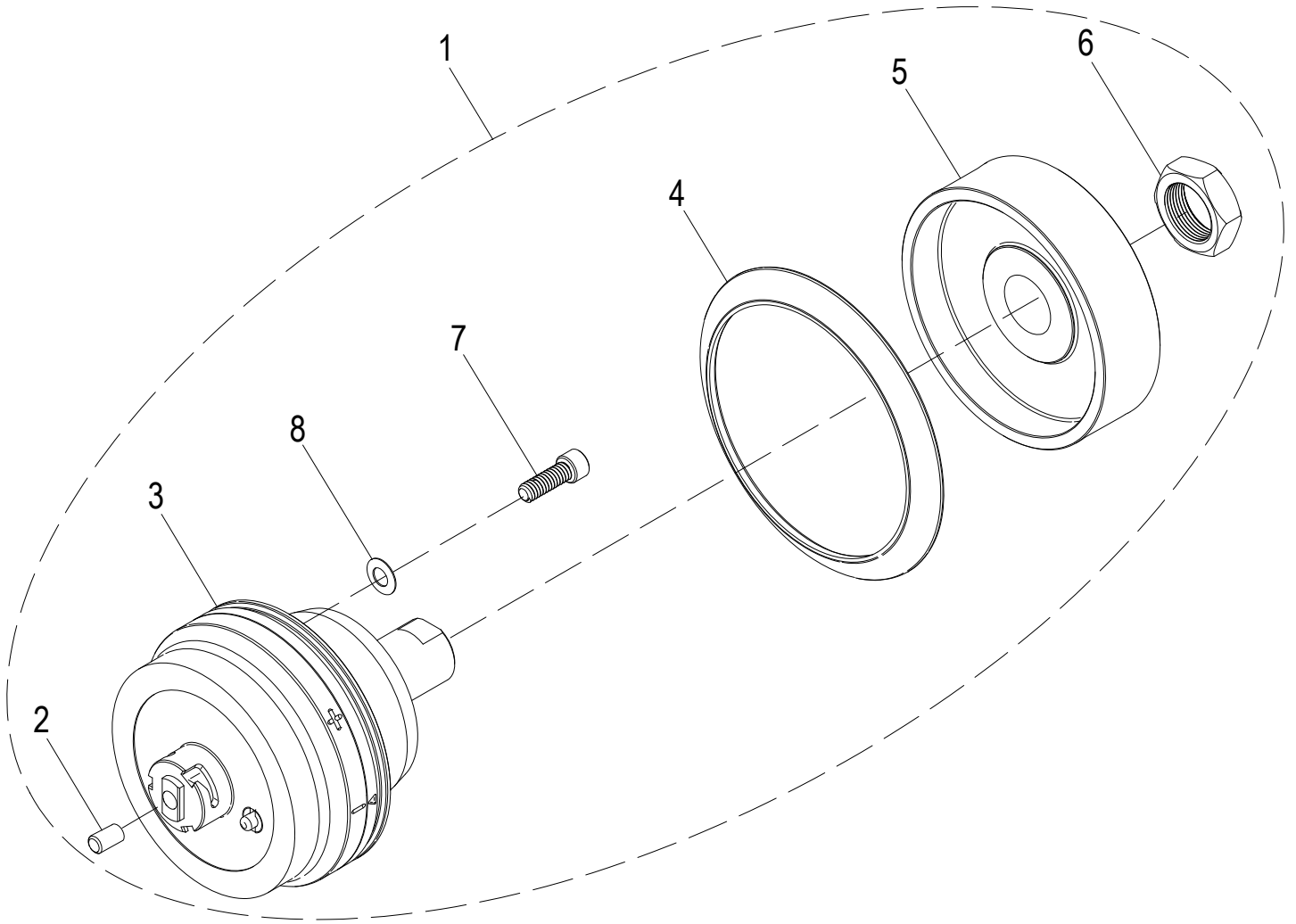
## S13 Removable Knife Kit - Option

---

Item	Part Number	Description	Qty	Serial Number
1	450222-01	Removable Knife Kit	1	
2	450183-1	Knife, 13" Removable	1	
3	500051	Post, Service Knife Release	1	
1	450222-03	Removable Knife Kit, SST (Not Shown)	1	
2	450183-3	Knife, 13" SST Removable (Not Shown)	1	
3	500051	Post, Service Knife Release (Not Shown)	1	



# S13 Removable Knife Drive Kit - Option





## S13 Removable Knife Drive Kit - Option

---

Item	Part Number	Description	Qty	Serial Number
1	450226-01	Removable Knife Drive Kit	1	
2	1193	Plug	1	
3	450203	Shaft, Removable Knife Drive	1	
4	520244	Knife Drive Boot	1	
5	450115	Knife Drive Pulley	1	
6	510033	Hex Nut, 7/8-20 Zinc	1	
7	810229	Socket Head Cap Screw 1/4-20x0.75	4	
8	810275	Spring Washer, 1/4x0.5	4	



# S13 Wiring Schematic

