

# Parts Catalog



**S13-70**

## **S-Series Slicer Manual**

**Model: S13-70**

01/26/2025 Rev. D

IMPORTANT!

TO EXPEDITE SHIPMENT OF PARTS, ALWAYS SPECIFY MODEL, REV,  
PART NUMBER, AND SERIAL NUMBER OF UNIT.

## **GLOBE FOOD EQUIPMENT COMPANY**

2215 East River Road  
Dayton, Ohio 45439

### **Parts Department**

Toll Free 1-800-745-6238

E-Mail: [info@globefoodequip.com](mailto:info@globefoodequip.com)

Website: [www.globefoodequip.com](http://www.globefoodequip.com)

Not for resale

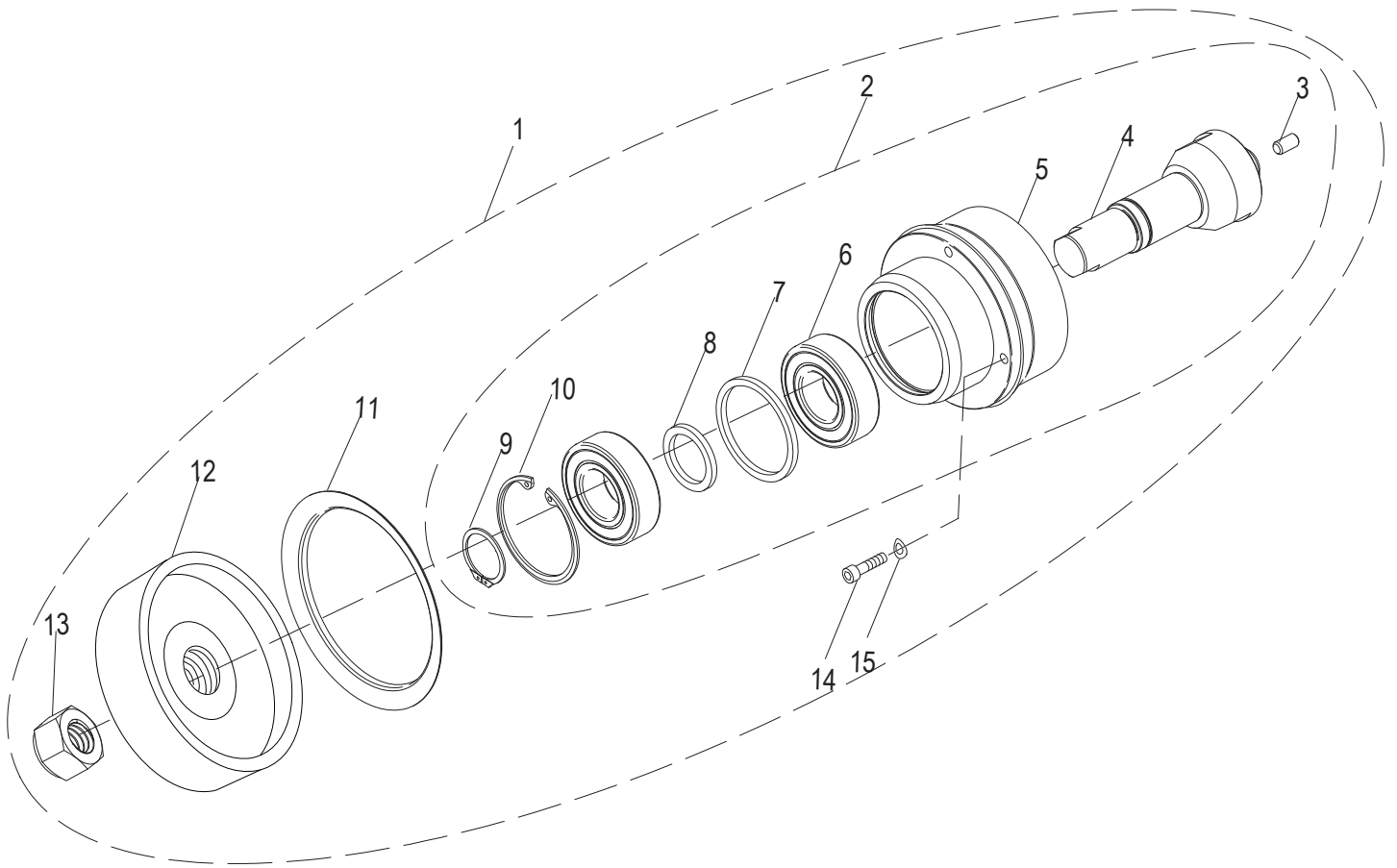


# Table of Contents

<b>Description</b>	<b>Page</b>
<a href="#">S13-70 Knife Drive Assembly Components</a>	4
<a href="#">S13-70 Index Knob Components</a>	6
<a href="#">S13-70 Base Shroud Components</a>	8
<a href="#">S13-70 Gauge Plate Components</a>	10
<a href="#">S13-70 Index Slide Assembly Components</a>	12
<a href="#">S13-70 Ring Guard Assembly Components</a>	14
<a href="#">S13-70 Electrical Base Components</a>	16
<a href="#">S13-70 Knife Drive Motor Components</a>	18
<a href="#">S13-70 Transport Arm Assembly Components</a>	20
<a href="#">S13-70 Lift Lever Base Components</a>	22
<a href="#">S13-70 Carriage Assembly Components</a>	24
<a href="#">S13-70 Knife and Knife Cover Components</a>	26
<a href="#">S13-70 Sharpener Assembly Components</a>	28
<a href="#">S13-70 Knife Removal Tool - Option</a>	30
<a href="#">S13-70 Removable Knife Kit - Option</a>	32
<a href="#">S13-70 Removable Knife Drive Kit - Option</a>	34
<a href="#">S13-70 Wiring Schematic</a>	36



# S13-70 Knife Drive Assembly Components



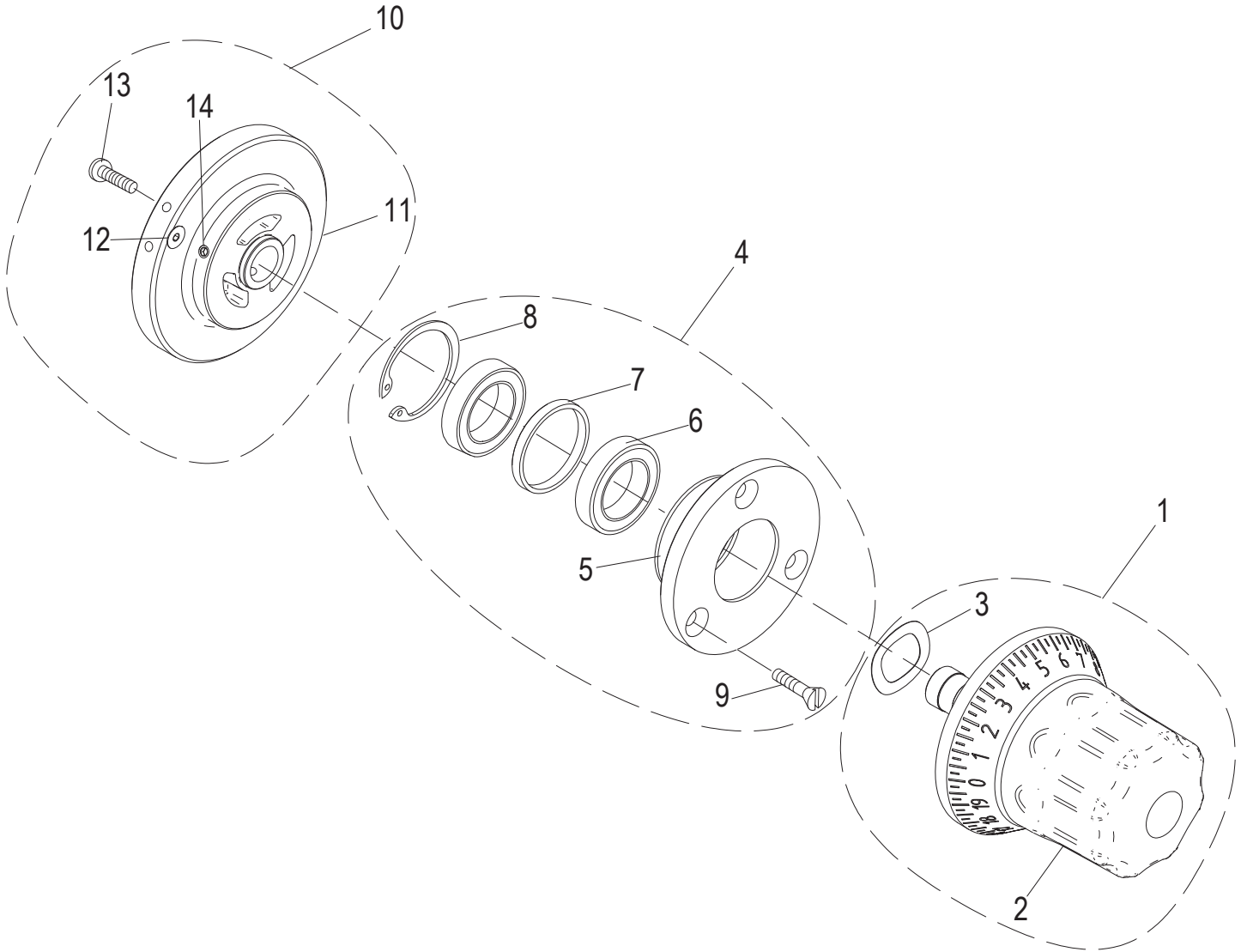


## S13-70 Knife Drive Assembly Components

Item	Part Number	Description	Qty	Serial Number
1	450211	Knife Drive Assembly (Incl. items 2-15)	1	
2	420088	Knife Drive Bearing Assembly (Incl. items 3-10)	1	
3	510078	Knife Cover Bumper	1	
4	450102	Shaft, Knife Drive	1	
5	450215	Knife Drive Bearing Mount	1	
6	820045-02	Ball Bearing, Sealed	2	
7	450119	Outer Ring, Bearing Spacer	1	
8	450118	Inner Ring, Bearing Spacer	1	
9	800010	Retaining Ring 5101-98 Bowed External	1	
10	810427	Retaining Ring N5002-200	1	
11	520244	Knife Drive Boot	1	
12	450115	Knife Drive Pulley	1	
13	510033	Hex Nut, 7/8-20 Zinc	1	
14	810229	Socket Head Cap Screw 1/4-20x0.75	4	
15	810275	Spring Washer, 1/4x0.5	4	



# S13-70 Index Knob Components





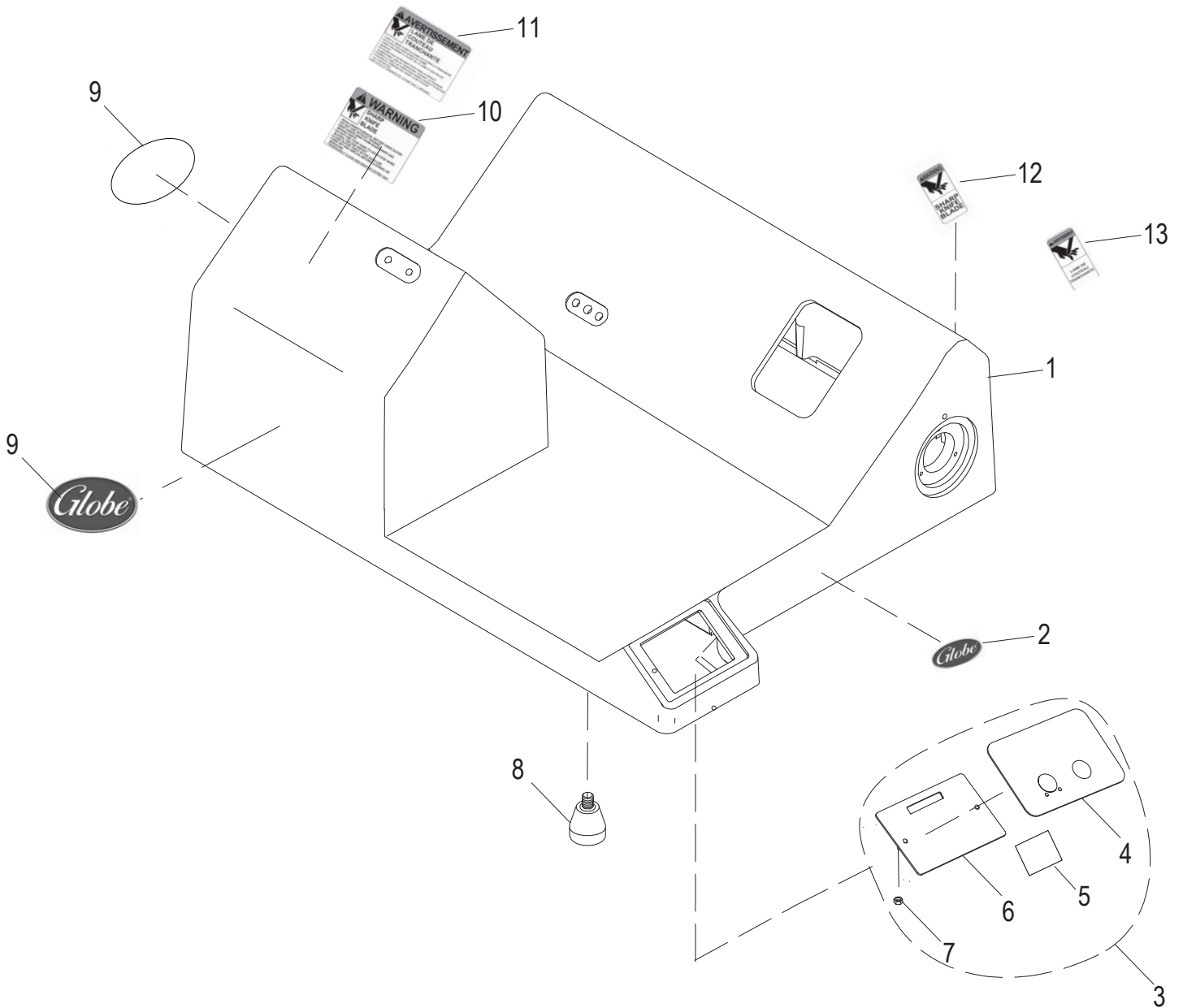
## S13-70 Index Knob Components

---

Item	Part Number	Description	Qty	Serial Number
1	500044	Index Knob Kit (Incl. items 2-3)	1	
2	500022	Index Knob	1	
3	800136	Index Knob Tension Spring	1	
4	450214	Index Bearing Hub Assembly Kit (Incl. items 5-9)	1	
5	450150	Index Knob Bearing Hub	1	
6	800011	Ball Bearing 20x32	2	
7	450069	Spacer, Index Bearing	1	
8	800031	Internal Beveled Retaining Ring 1.388	1	
9	800104	Mach. Screw #10-24x5/8 Flat Hd Slotted	3	
10	500050	Index Cam Kit (Incl. items 11-14)	1	
11	520350	Index Cam	1	
12	800160	Socket Cap Screw #10-32x3/4 Flat Hd (SS)	1	
13	800105	Socket Cap Screw #10-32x5/8 Button-Hd	1	
14	810463	Set Screw, Knurl Grip Cup Pt 1/4-28x3/4 (SST)	3	



# S13-70 Base Shroud Components





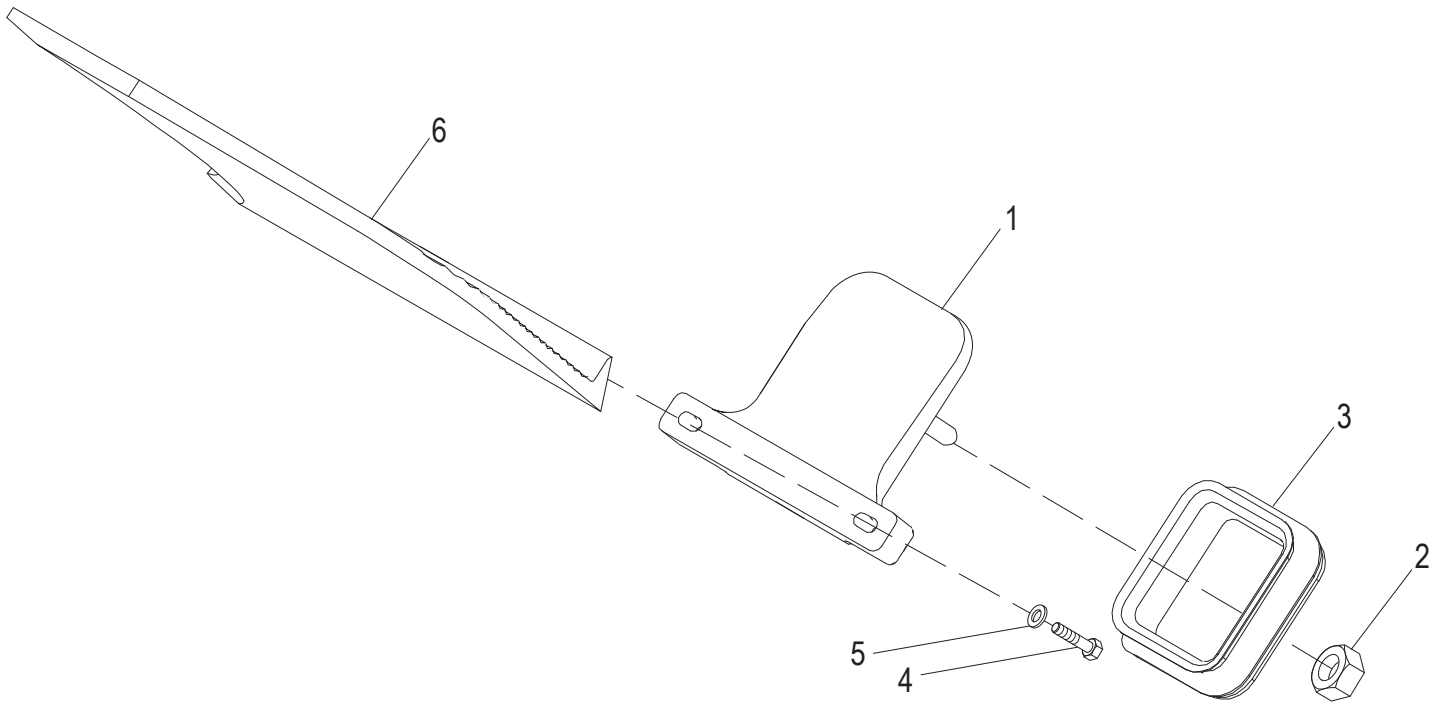
## S13-70 Base Shroud Components

---

Item	Part Number	Description	Qty	Serial Number
1	450161-03	Slicer Base	1	
2	<a href="#">871-2</a>	Globe Logo Decal 3.5"	1	
3	<a href="#">121070-01</a>	Membrane Switch Kit (Incls. items 4-7)	1	
4	<a href="#">910191</a>	Membrane Switch, Manual	1	
5	<a href="#">910088</a>	Pad, Alcohol Prep	1	
6	300091	User Interface Panel, Manual	1	
7	<a href="#">810422</a>	Nylon Locknut 6-32	2	
8	<a href="#">510031</a>	Slicer Foot	4	
9	<a href="#">920202</a>	Globe Logo Decal S - Series	2	
10	<a href="#">920200</a>	Warning Label, Large	1	
11	<a href="#">920198</a>	Warning Label, Large French	1	
12	<a href="#">920201</a>	Warning Label, Small	1	
13	<a href="#">920199</a>	Warning Label, Small French	1	



**S13-70 Gauge Plate Components**





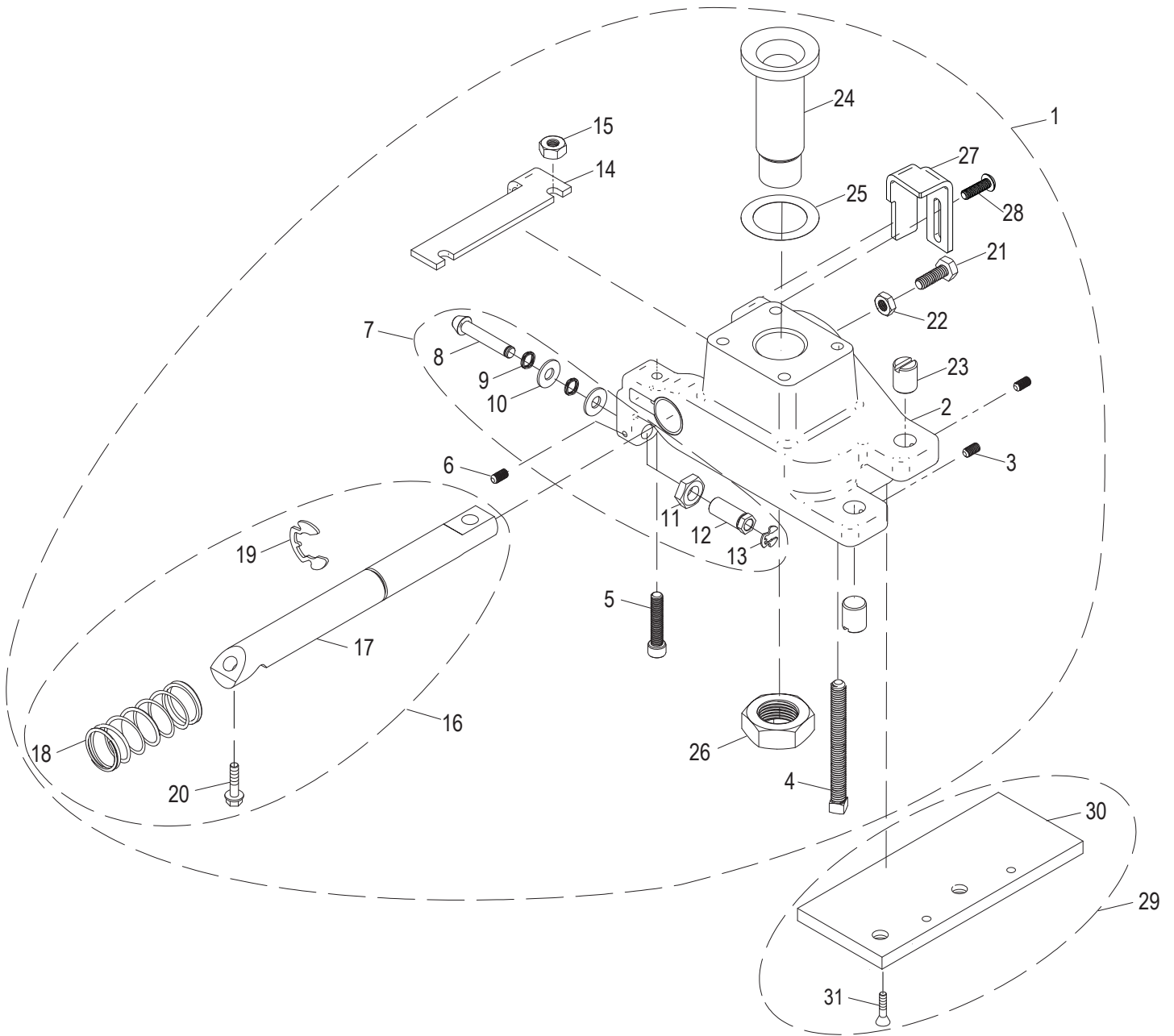
## S13-70 Gauge Plate Components

---

Item	Part Number	Description	Qty	Serial Number
1	<a href="#">450212</a>	Gauge Plate Base Assembly	1	
2	<a href="#">450054</a>	Post Nut, Gauge Plate Ball Joint	1	
3	<a href="#">500001</a>	Gauge Plate Seal	1	
4	<a href="#">890411</a>	Cap Screw 3/8-16x1-1/2, Hex Hd with Nylon Patch	2	
5	<a href="#">810228</a>	Flat Washer, fits 3/8 Screw, .885 OD	2	
6	450250	Gauge Plate	1	



# S13-70 Index Slide Assembly Components





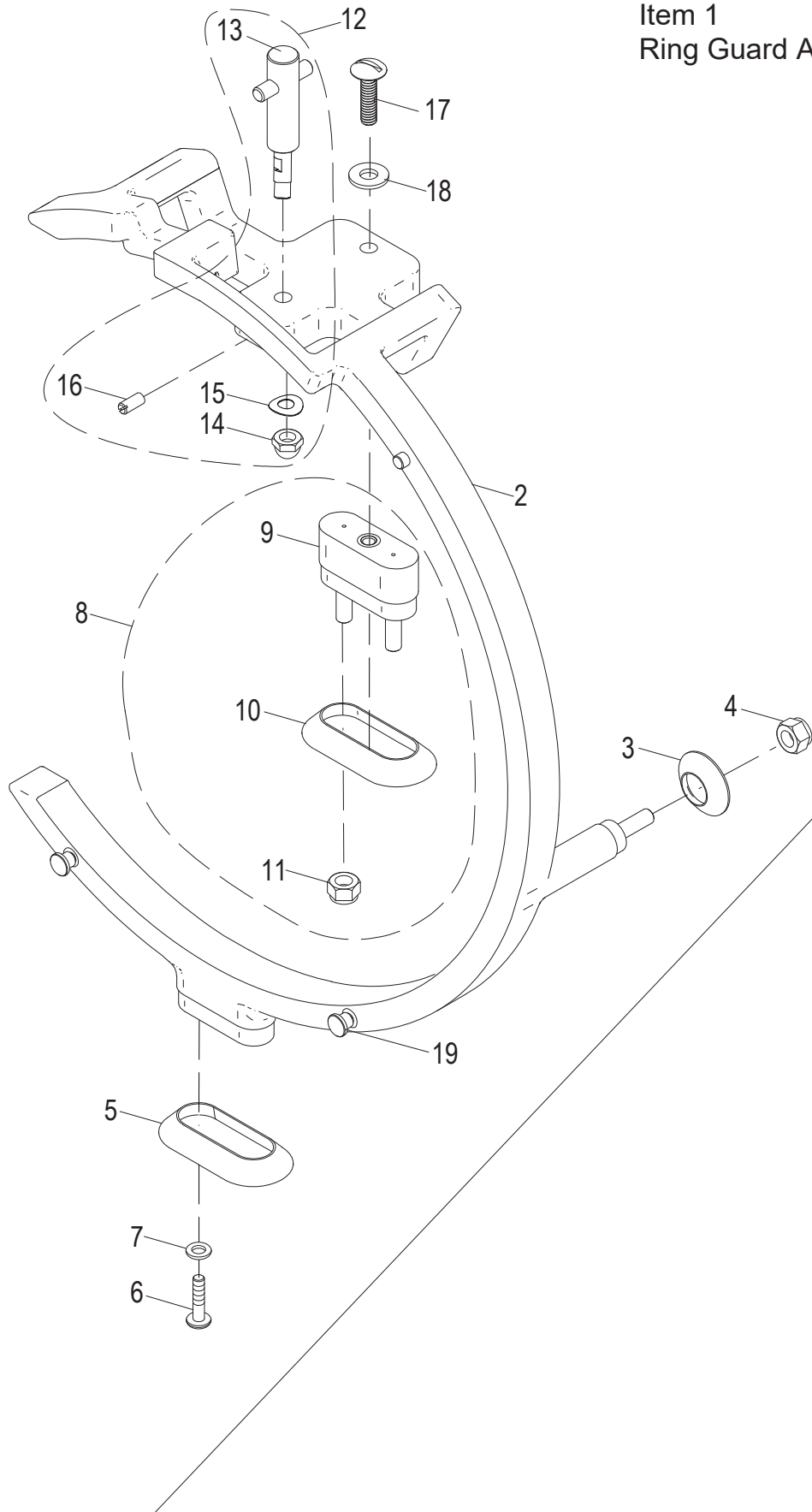
## S13-70 Index Slide Assembly Components

Item	Part Number	Description	Qty	Serial Number
1	400140	Index Slide Kit (Incl. items 2-28)	1	
2	430028	Index Slide with Bushings	1	
3	810400	Set Screw #10-32x3/8 Cup Pt.	2	
4	800146	Set Screw 5/16-18x3 Sq. Hd Cup Point	4	
5	800144	Cap Screw 1/4-28x1-1/4 Socket Hd	2	
6	800091	Hex Socket Knurl-Cup Point Set Screw 8-32 X 0.1875"	1	
7	400121	Cam Follower Kit (Incl. items 8-13)	1	
8	450153	Follower	1	
9	800163	Wave Spring Cam Follower	2	
10	810410	Flat Washer 0.266x0.625	2	
11	810430	Jam Nut 3/8-24	1	
12	450152	Follower Adjustment Post	1	
13	810379	Retaining Clip Ring 5304-18	1	
14	300153	Stop Plate, Tilt Back	1	
15	800145	Nut 1/4-28 Hex	2	
16	400122	Index Slide Shaft Kit (Incl. items 17-20)	1	
17	450058	Index Slide Shaft	1	
18	800154	Index Spring	1	
19	800152	Retaining Ring (Klipring) 5304-75	1	
20	800058	Washer 5/16-18-1 Hex Hd Tapping Screw	2	
21	810431	Hex Head Screw 1/4-20x0.75	1	
22	810432	Jam Nut 1/4-20	1	
23	450057	Screw, Anti-Rotation	2	
24	450050	Ball Joint Rest	1	
25	800168	Gauge Plate Spacer Kit (Kit of 4)	1	
26	800043	Nut 7/8-14 UNF Hex Jam	1	
27	300154	Adjustment Stop	1	
28	800105	Socket Cap Screw #10-32x5/8 Button-Hd	2	
29	400128	Anti-Rotation Plate Kit (Incl. items 29-31)	1	
30	450056	Anti-Rotation Plate	1	
31	810003	Screw 1/4-20x3/4 Crossed Rec., Flat Hd, Tapping	2	



# S13-70 Ring Guard Assembly Components

Item 1  
Ring Guard Assembly



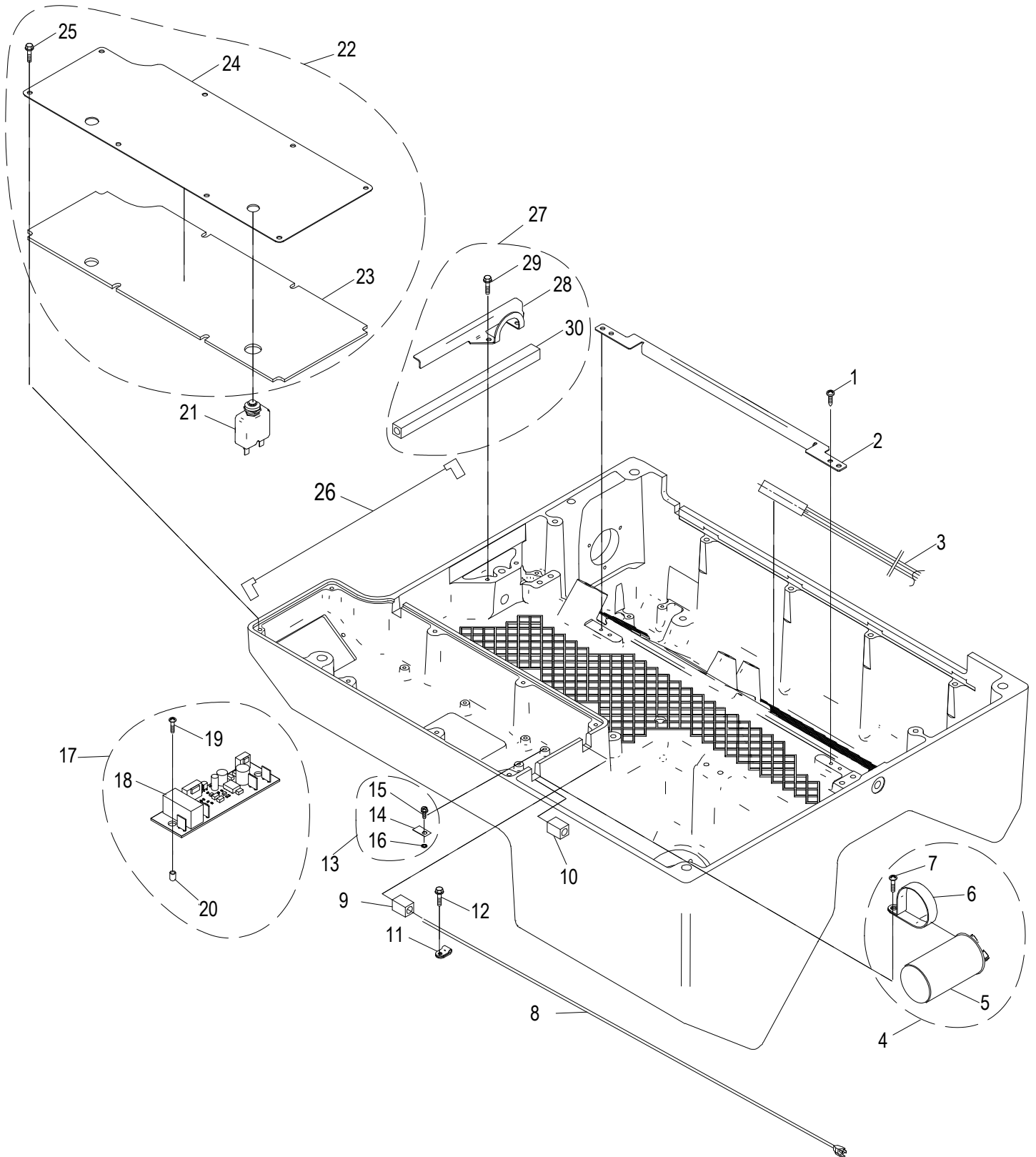


## S13-70 Ring Guard Assembly Components

Item	Part Number	Description	Qty	Serial Number
1	500047-02	Ring Guard Assembly Kit (Incl. items 2-19)	1	
2	520316-02	Ring Guard	1	
3	520243	Round Boot, Ring Guard	1	
4	810438	Nylon Insert Lock Nut 1/4-20	1	
5	520242	Oval Boot, Ring Guard	1	
6	810358	Slotted Truss Head Screw 1/4-20 x 1.00	2	
7	810345	Flat Washer, 1/4 x 0.63	2	
8	450213	Ring Guard Spacer Kit (Incl. items 9-11)	1	
9	460064	Spacer, Ring Guard	1	
10	520242	Oval Boot, Ring Guard	1	
11	810438	Nylon Insert Lock Nut 1/4-20	2	
12	460069-01	Sharpener Mount Kit, Standard (Incl. items 13-16)	1	
13	450131	Sharpener Mount Kit	1	
14	800185	Acorn Nut, 1/4-28	1	
15	800184	Spring Washer 0.26x0.55x0.015	1	
16	810483	Slotted Set Screw, #10-32x0.50	1	
17	810358	Slotted Truss Head Screw 1/4-20 x 1.00	1	
18	810345	Flat Washer, 1/4 x 0.63	1	
19	450130	Locator Pin	2	



# S13-70 Electrical Base Components



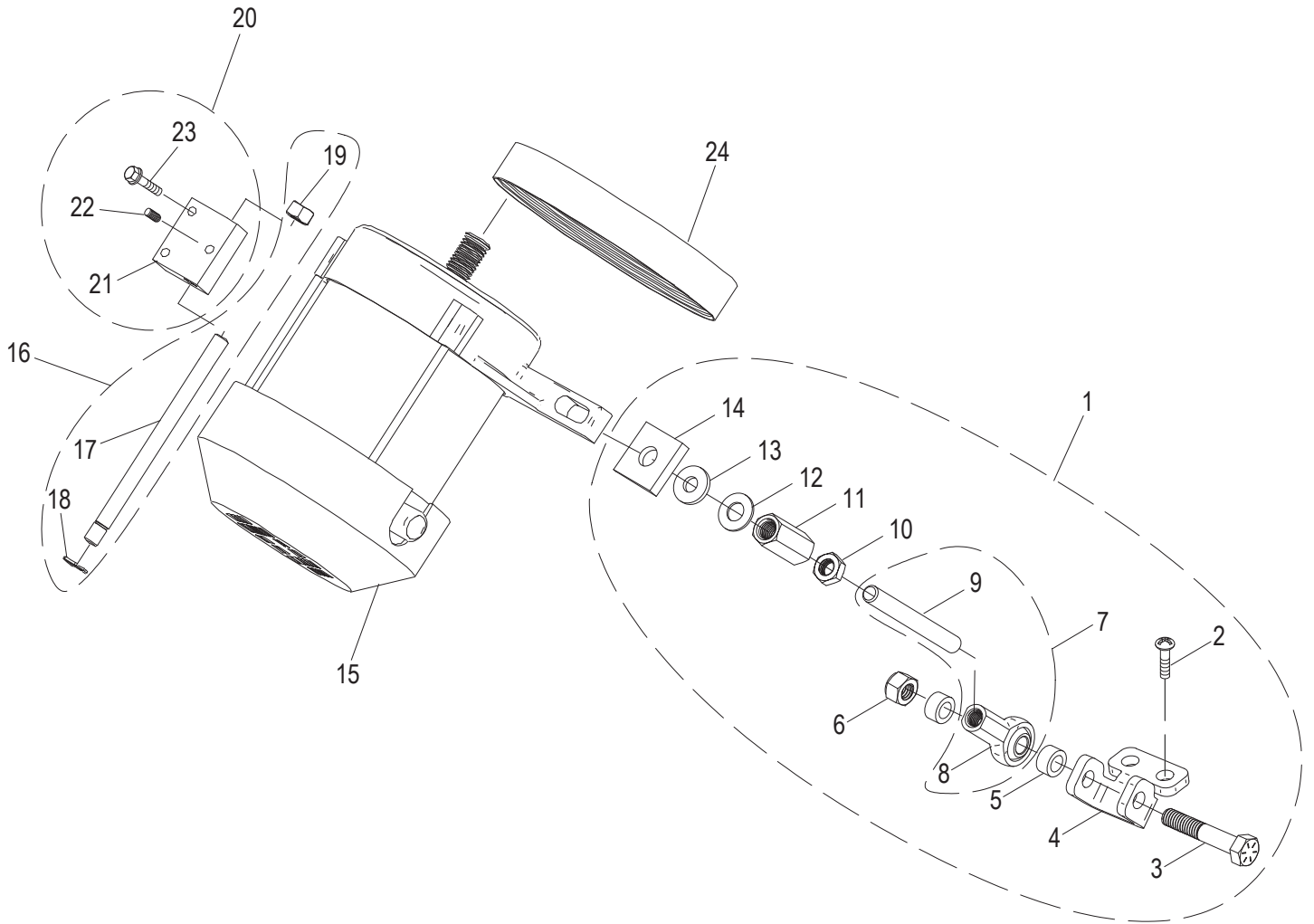


## S13-70 Electrical Base Components

Item	Part Number	Description	Qty	Serial Number
1	800069	Phillips Round Head Thread Forming Screw 8-32 x 0.375"	4	
2	310208	Inner Wireway Cover	1	
3	110107	Harness, Reed Switch, Knife Cover Sensor	1	
4	121082-01	120V Capacitor Kit (Incl. items 5-7)	1	
5	140015	Capacitor, Knife Motor 120V (For Use w/120V Units)	1	
6	110228	Capacitor Clamp (120V)	1	
7	800069	Phillips Round Head Thread Forming Screw 8-32 x 0.375"	1	
8	130225	Power Supply Cord, 120VAC, 15A	1	
9	510045-01	Sleeve, Large Diameter Wire	1	
10	510044-01	Sleeve, Small Diameter Wire	1	
11	110227	Power Cord Strain Relief	1	
12	800057	Screw 1/4-20x.75 Hex Washer Hd Tapping	1	
13	121080	Ground Location Tab Kit (Incl. items 14-16)	1	
14	910184	Tab, Ground Location	1	
15	800202	Green Slotted Hex Washer Head Screw #8-32 x 0.312	1	
16	800115	External Tooth Lock Washer #8x0.381	1	
17	121117	Standard Manual PCB 2nd Ver. Kit (Incl. items 18-20)	1	
18	121060	Control Board Assembly	1	
19	800175	Screw #8-32x3/4 Crossed Recessed Tapping	4	
20	810450	Self Retaining Spacer	4	
21	140017-01	Circuit Breaker	1	
22	300063	Electronics Cover & Gasket Kit (Incl. items 23-25)	1	
23	500016	Gasket, Electronic Cover	1	
24	300013	Cover, Electronics	1	
25	800067	Screw #10-24x1/2 Hex Washer Hd Tapping	8	
26	100125	Wire Harness, Circuit Breaker	1	
27	300067-01	Front Wireway Cover Kit (Incl. items 28-30)	1	
28	310207	Cover, Front Wireway	1	
29	800067	Screw #10-24x1/2 Hex Washer Hd Tapping	2	
30	510044-02	Sleeve, Small Diameter Wire	1	
31	110226	Clamp, Nylon Loop	1	



# S13-70 Knife Drive Motor Components



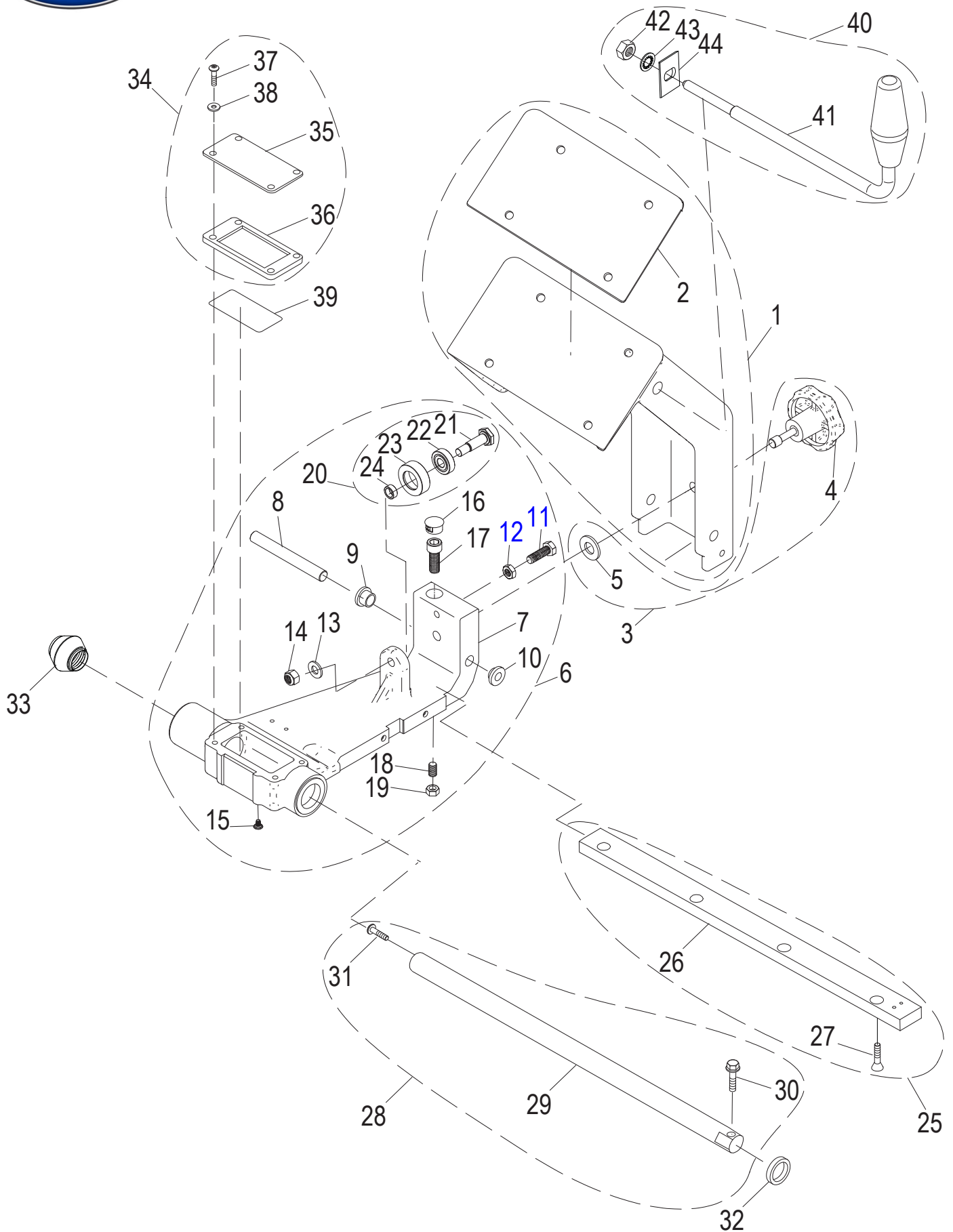


## S13-70 Knife Drive Motor Components

Item	Part Number	Description	Qty	Serial Number
1	400124	Knife Tensioner Kit (Incl. items 2-14)	1	
2	800135	Thread Forming Screw 1/4-20x5/8 PHP	2	
3	810419	Cap Screw, 5/16-18x1.75 Hx Hd	1	
4	300023	Knife Motor Tensioner Bracket	1	
5	500033	Sleeve Spacer	2	
6	810420	Nylon Insert Locknut 5/16-18	1	
7	400125	Threaded Ball Joint, Knife Tensioner (Incl. items 8-9)	1	
8	800093	Ball Joint Rod End 5/16'-24 Thd	1	
9	450034	Tension Shaft 5/16-24 x 3 Full Thread	1	
10	810414	Nut 5/16-24 UNF Zinc Plated Steel Hex Jam	1	
11	800162	Nut 5/16-24x1 Hex Coupling	1	
12	810416	Flat Washer, 5/16 x 0.69	1	
13	810417	Washer 5/16 Neoprene	1	
14	800161	Washer 5/16 Leveling	1	
15	120158-01	Knife Drive Motor, Single Phase, 120V, 60Hz	1	
15	120158-02	Knife Drive Motor, Single Phase, 220V, 60Hz Not Shown	1	
15	120158-03	Knife Drive Motor, Single Phase, 220V, 50Hz Not Shown	1	
16	400113	Motor Mount Pivot Rod Assembly (Incl. items 17-19)	1	
17	400026	Motor Mount Pivot Rod	1	
18	810429	External Retaining Ring 0.25x0.042	1	
19	810420	Nylon Insert Locknut 5/16-18	1	
20	400123	Motor Pivot Block Kit (Incl. items 21-23)	1	
21	450117	Motor Pivot Block	1	
22	800094	Hex Socket Knurl-Cup Point Set Screw 10-32 x 0.25	1	
23	800068	Washer #10-24x1 Hex Hd Tap. Screw Slotted	2	
24	800092	Knife Drive Belt	1	



# S13-70 Transport Arm Assembly Components





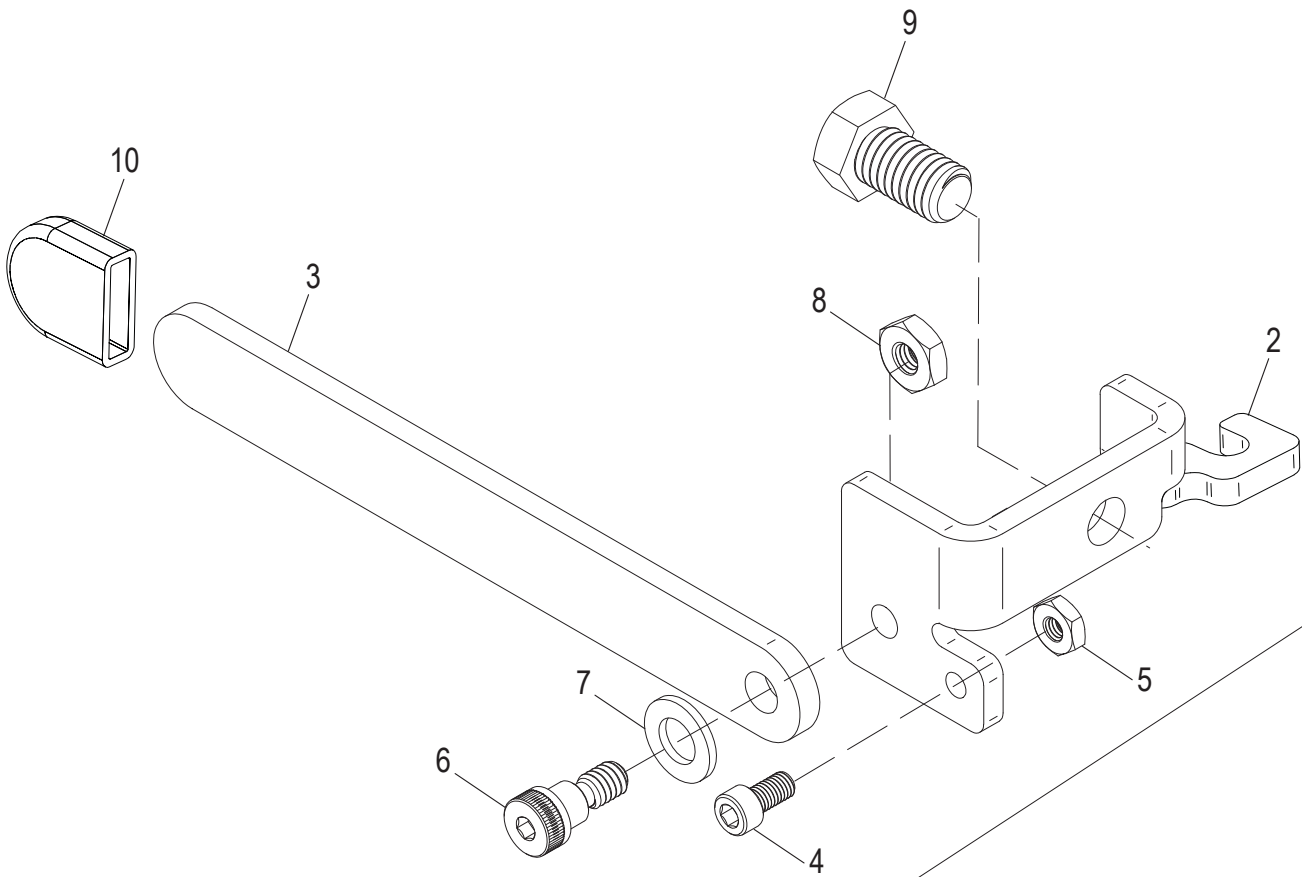
## S13-70 Transport Arm Assembly Components

Item	Part Number	Description	Qty	Serial Number
1	400129	Carriage Arm & Gasket Kit (Incl. item 2)	1	
2	500004	Carriage Arm Gasket	1	
3	500052	Carriage Knob & Captive Clip Kit (Incl. items 4-5)	1	
4	500026	Carriage Arm Tie Down Knob	1	
5	800180	Washer, Nylon	1	
6	400115	Transport Replacement Assembly (Incl. items 7-24)	1	
7	420062	Transport with Bushings	1	
8	400017	Transport Attachment Pin	1	
9	810237	Shoulder Washer .51 IDx.88 Nylon	1	
10	810238	Shoulder Washer .51 IDx1.125 Nylon	1	
11	810406	Hex Cap Screw 5/16-24x1,18-8 (SST)	1	
12	810414	Nut 5/16-24 UNF Zinc Plated Steel Hex Jam	1	
13	810272	Flat Washer 5/16 x 0.63	1	
14	810420	Nylon Insert Locknut 5/16-18	1	
15	810232	Phillips Pan Head Sealing Screw 8-32 x 0.25"	1	
16	810227	Dome Plug for 5/8 Hole	1	
17	810256	Socket Hd Cap Screw 3/8-16 x 1 (SST)	1	
18	800015	Transport Tie Down Screw 5/16-24x1.30"	1	
19	800048	Hex Nut 5/16-24	1	
20	800014	Roller Bearing Assembly (Incl. items 21-24)	1	
21	810351	Roller Bearing Bolt	1	
22	810363	Roller Bearing	1	
23	500003	Bearing Sleeve	1	
24	810352	Spacer Sleeve	1	
25	400131	Transport Roller Bar Kit (Incl. items 26-27)	1	
26	450061	Transport Roller Bar	1	
27	810004	Tapping Screw 1/4-20x1 Cross Rec. FH	4	
28	400132	Transport Shaft Kit (Incl. items 29-31)	1	
29	450060	Transport Shaft	1	
30	800059	Washer 5/16-18x1.25 Hex Hd Tapping Screw	1	
31	800071	Slotted Truss Head Screw 5/16-18x1.0	1	
32	500005	Transport Bumper	1	
33	800131	Sleeved Spring Assembly	1	
34	300064	Transport Cover Kit (Incl. items 35-38)	1	
35	300080	Transport Cover	1	
36	510058	Oil Well Gasket	1	
37	800109	Screw 1/4-20x.50 Button Hd Cap	1	
38	800079	Flat Washer, 1/4x0.625	1	
39	800053	Felt Insert	1	
40	400114	Carriage Arm Handle Assembly with Nut (Incl. items 41-44)	1	
41	460076	Carriage Arm Handle	1	
42	810224	Hex Nut, 1/2-13 Left Hand, Thread	1	
43	810226	Lock Washer, 1/2 Screw Size, Internal Tooth	1	
44	450239	Anti Rotation Block	1	



## S13-70 Lift Lever Base Components

### Item 1 Manual Kickstand Assembly





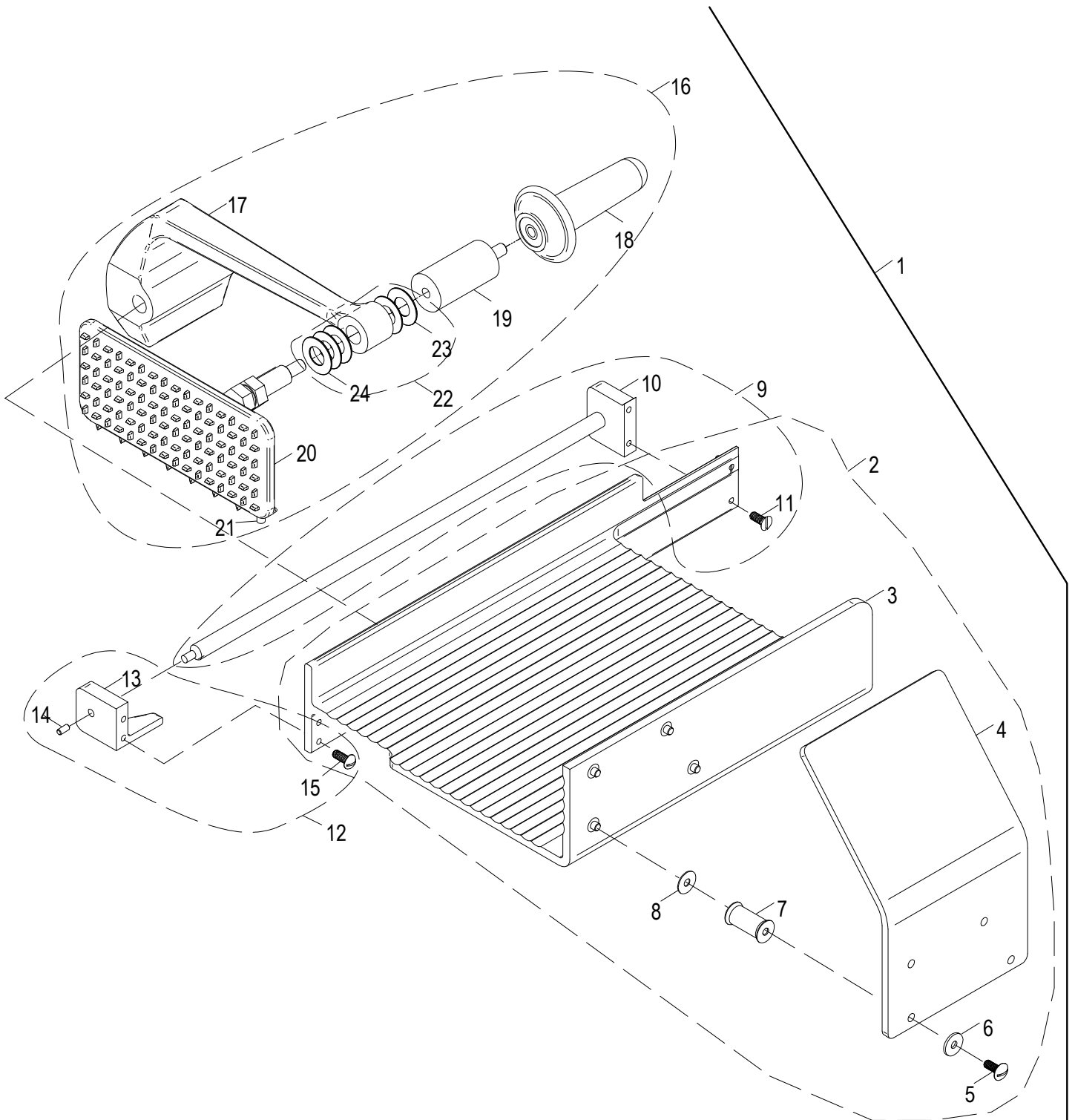
## S13-70 Lift Lever Base Components

---

Item	Part Number	Description	Qty	Serial Number
1	300046	Manual Kickstand Assembly (Incl. items 2-10)	1	
2	300044	Manual Kickstand Bracket	1	
3	300045	Manual Kickstand Arm	1	
4	800124	Socket Hd. Cap Screw #10-32 x 3/8 SST	1	
5	800125	Hex Nut, #10-32 SST	1	
6	800122	Long Shoulder 5/16" Dia. x 1/4" Screw 1/4"-20 Thrd	1	
7	810272	Flat Washer 5/16 x 0.63	1	
8	800128	Nylon-Insert Thin Hex Nut 1/4-20 SST	1	
9	800189	Cap Screw, 5/16-18 UNCx3/4 Hx Hd	1	
10	500062	Manual Kickstand Boot	1	



# S13-70 Carriage Assembly Components





## S13-70 Carriage Assembly Components

Item	Part Number	Description	Qty	Serial Number
1	450241	Carriage Assembly (Incl. items 2-24)	1	
2	450251	Carriage with Thumb Guard Assembly	1	
3	400012	Carriage Insert Assembly	1	
4	510075	Shield	1	
5	890341	Machine Screw, Truss Hd	1	
6	800206	Washer 1/4 Flat	4	
7	450240	Standoff, Shield	4	
8	510076	Gasket, Standoff	4	
9	450249	End Weight Shaft Assembly (Incl. item 10)	1	
10	450247	End Weight Rod Mount	1	
11	800037	Mach. Screw 1/4-20 x 5/8 FH Slotted	2	
12	410024	End Weight Stop Assembly (Incl. items 13-14)	1	
13	420094	End Weight Stop	1	
14	800205	Stop Pin, Delrin End Weight	1	
15	800038	Mach. Screw 1/4-20 x 5/8 RH Slotted	2	
16	500065	End Weight Assembly (Incl. items 17-22)	1	
17	420065	End Weight Arm Assembly	1	
18	500024	End Weight Handle	1	
19	400166	Handle Spacer	1	
20	500007	Molded End Weight Assembly	1	
21	800047	Delrin Pin, 1/8 Dia x 3/8	1	
22	800164	End Weight Face Washer Kit	1	
23	800033-02	End Weight Face Washer	1	
24	800033-01	End Weight Face Washer	1	





## S13-70 Knife and Knife Cover Components

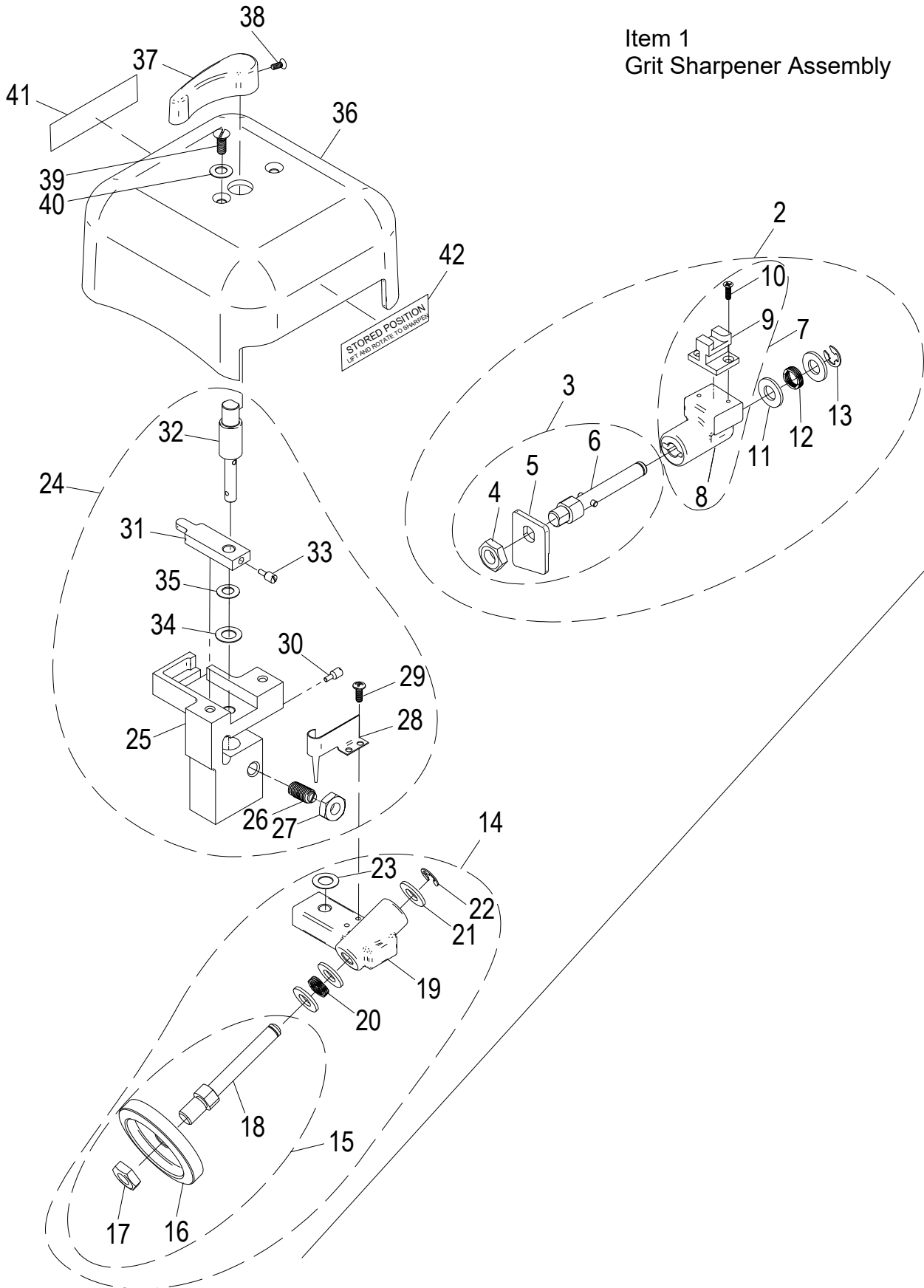
---

Item	Part Number	Description	Qty	Serial Number
1	400161-01	Stainless Steel Knife Kit (Incl. items 2-3)	1	
2	450171	Knife, 13 inch (SST)	1	
3	810274	Slotted Flat Head Screw, 10-32x0.5	3	
4	250247	Knife Cover Assembly (Incl. items 5-11)	1	
5	460090	Knife Cover Sub-Assembly	1	
6	500045	Knife Cover Swivel Lock Assembly (Incl. items 7-11)	1	
7	520245	Knife Cover Swivel Lock	1	
8	810278	Flat Washer, No.10x0.44	2	
9	810279	Spring Washer #10 x 0.42	2	
10	810245	Nut, 6-32 INC-2B Hex, with Nylon Insert	1	
11	520237	Barrel Plug, Push-In	1	



# S13-70 Sharpener Assembly Components

Item 1  
Grit Sharpener Assembly



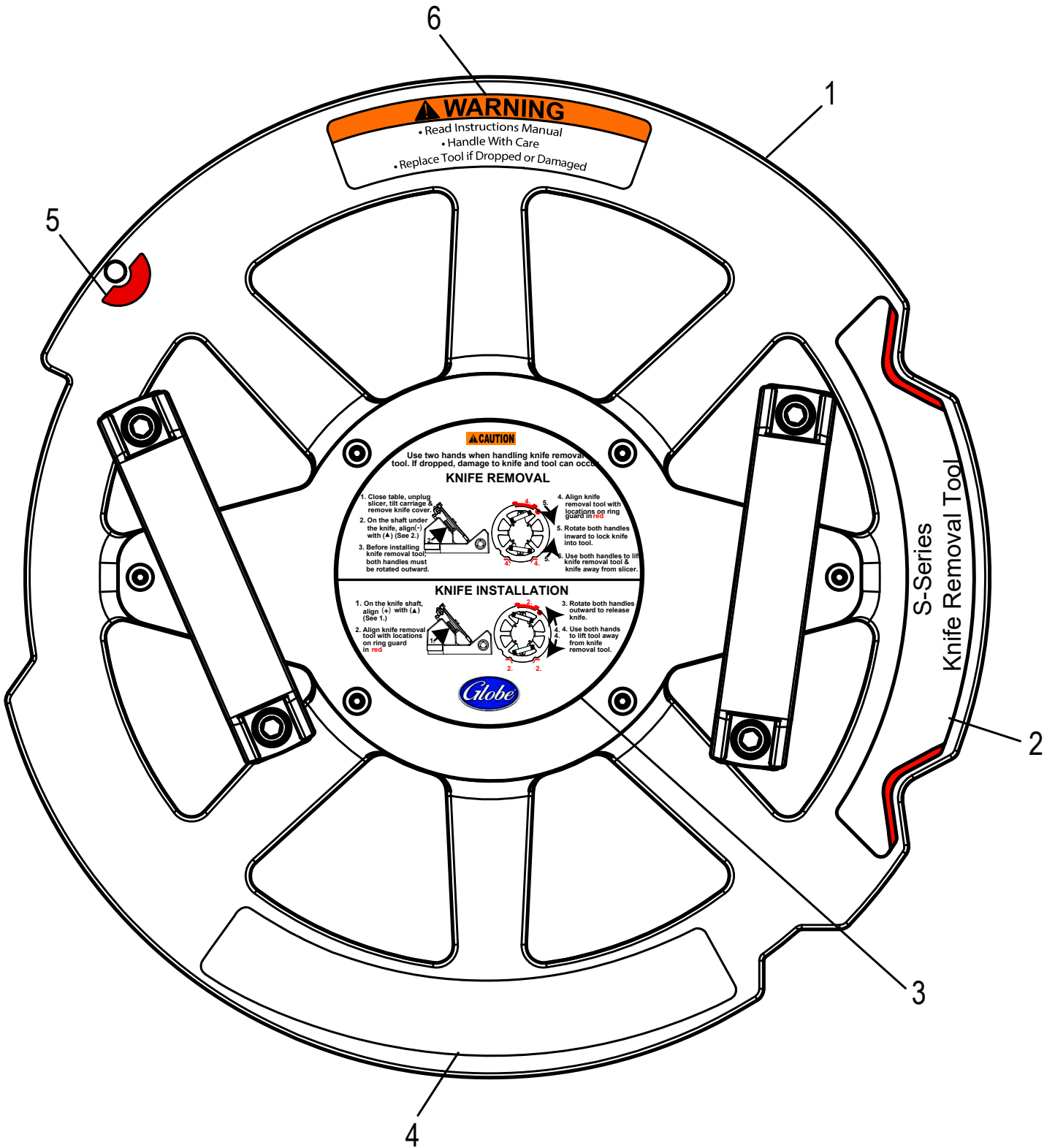


## S13-70 Sharpener Assembly Components

Item	Part Number	Description	Qty	Serial Number
1	440044-03	Grit Sharpener Assembly (Incl. items 2-41)	1	
2	430051-02	Grit Honing Stone Assembly (Incl. items 3-12)	1	
3	940033-02	Grit Honing Stone Shaft Assembly (Incl. items 4-6)	1	
4	810430	Jam Nut 3/8-24	1	
5	200047	Flat Grit Honing Stone	1	
6	450163	Honing Stone Dowel Assembly	1	
7	400291	Honing Stone Bracket Kit (Incls. items 8-10)	1	
8	430032	Honing Stone Bracket	1	
9	430042	Honing Stone Slide	1	
10	810222	Phillips Flat Head Screw #4-40 x 0.38	2	
11	810272	Flat Washer 5/16 x 0.63	2	
12	810362	Wave Spring 0.38 x 0.49 x 0.14	1	
13	810273	External Retaining Ring, Type E 0.243 x .50	1	
14	430052-02	Grit Sharpening Stone Assembly (Incl. items 15-23)	1	
15	940044-02	Grit Sharpening Stone Shaft Assembly (Incl. items 16-18)	1	
16	410049	Grit Sharpening Stone	1	
17	810430	Jam Nut 3/8-24	1	
18	460065	Sharpening Stone Shaft	1	
19	430031	Sharpening Stone Bracket	1	
20	810361	Wave Spring 0.37 x 0.49 x 0.15	1	
21	810272	Flat Washer 5/16 x 0.63	3	
22	810273	External Retaining Ring, Type E 0.243 x .50	1	
23	810437	Flat Washer 5/16 x 0.57	1	
24	400137	Sharpener Mount Center Kit (Incl. items 25-35)	1	
25	430045	Sharpener Center Mount	1	
26	810488	Slotted Ball Plunger, 1/4-28 x 0.531	1	
27	810489	Jam Nut 1/4-28	1	
28	310137	Sharpener Return Spring	1	
29	810271	Phillips Pan Head Screw #6-32x0.375	2	
30	810344	Slotted Dog Point Set Screw #10-32 x 0.45	1	
31	430040	Honing Stone Lever	1	
32	400183	Sharpener Handle Shaft	1	
33	810344	Slotted Dog Point Set Screw #10-32 x 0.45	1	
34	810437	Flat Washer 5/16 x 0.57	1	
35	800184	Spring Washer 0.26x0.55x0.015	1	
36	250069	Sharpener Cover	1	
37	510041	Sharpener Handle, Top	1	Refer to Serial Number Document
37	500070	Sharpener Handle, Top	1	Refer to Serial Number Document
38	810233	Mach. Screw 8-32x1/2 Black, Phillips, w/Nylon Patch	1	Refer to Serial Number Document
38	800223	Phillips Flat Head Screw #8-32 x 0.375	1	Refer to Serial Number Document
39	810246	Slotted Truss Head Screw #10-32 x 0.50	2	
40	810279	Spring Washer #10 x 0.42	2	
41	920215	Label, Sharpen Position	1	
42	920216	Label, Stored Position	1	



# S13-70 Knife Removal Tool - Option





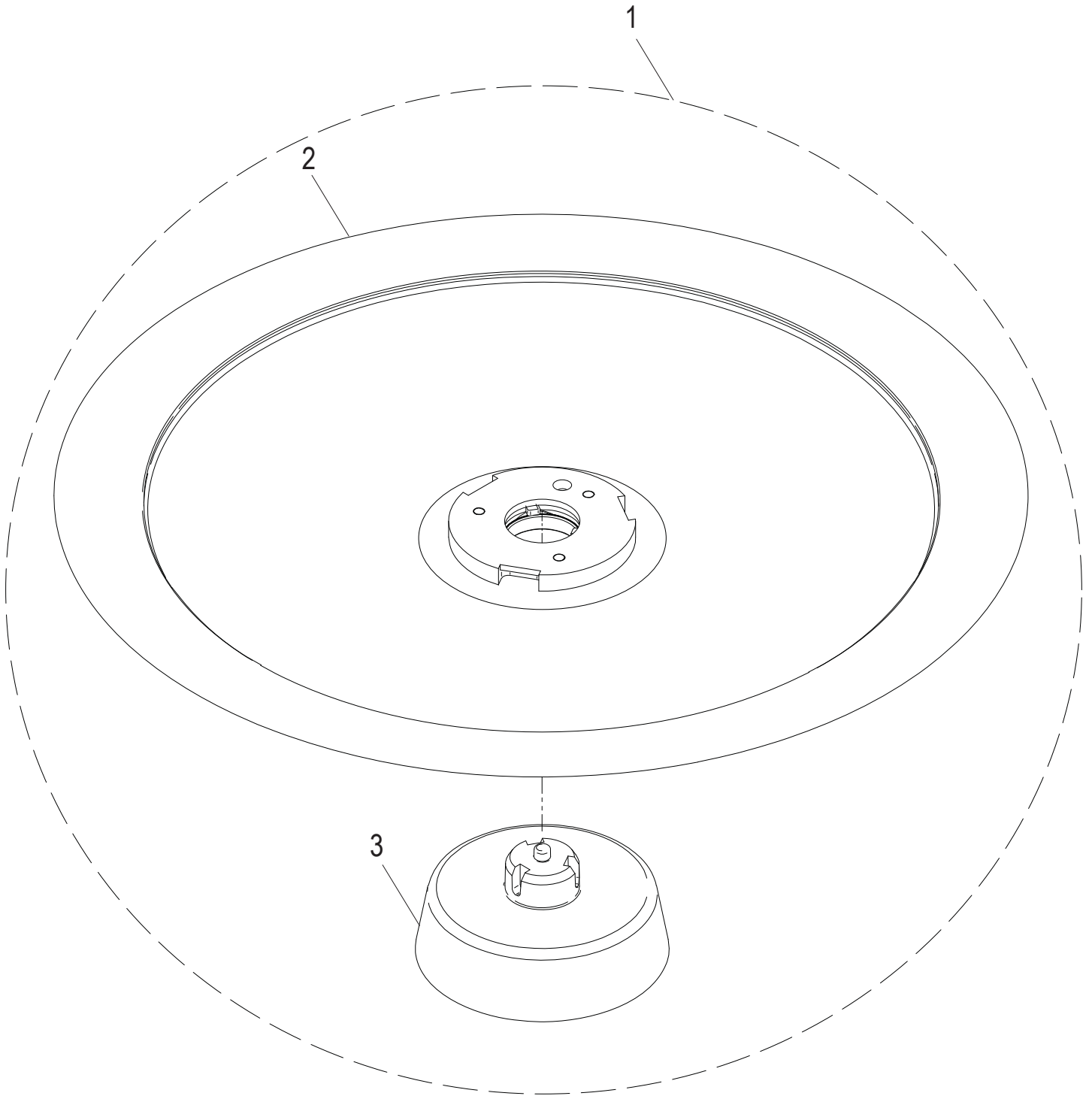
## S13-70 Knife Removal Tool - Option

---

Item	Part Number	Description	Qty	Serial Number
1	450200-03	French Removable Knife Tool Assembly	1	
2	920227	Dual Pin Location Decal	1	
2	920235	French Dual Pin Location Decal	1	
3	920226	Instructional Label	1	
4	920237	French Caution Label	1	
5	920232	Single Pin Location Decal	1	
6	920225	Warning Label	1	
6	920234	French Warning Label	1	



**S13-70 Removable Knife Kit - Option**





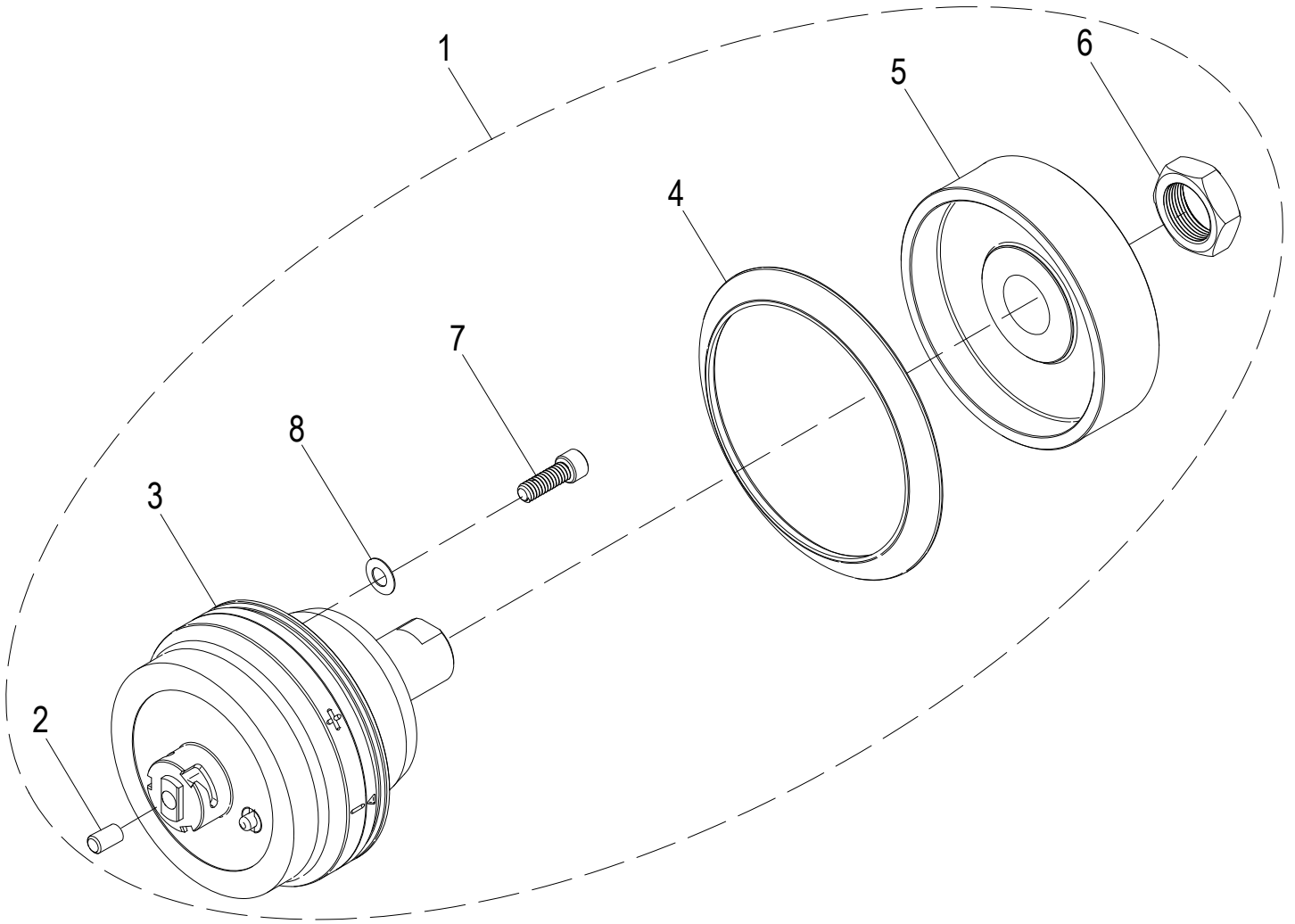
## **S13-70 Removable Knife Kit - Option**

---

Item	Part Number	Description	Qty	Serial Number
1	<a href="#">450222-03</a>	Removable Knife Kit, SST	1	
2	450183-3	Knife, 13" SST Removable	1	
3	<a href="#">500051</a>	Post, Service Knife Release	1	



**S13-70 Removable Knife Drive Kit - Option**





## S13-70 Removable Knife Drive Kit - Option

---

Item	Part Number	Description	Qty	Serial Number
1	450226-01	Removable Knife Drive Kit	1	
2	1193	Plug	1	
3	450203	Shaft, Removable Knife Drive	1	
4	520244	Knife Drive Boot	1	
5	450115	Knife Drive Pulley	1	
6	510033	Hex Nut, 7/8-20 Zinc	1	
7	810229	Socket Head Cap Screw 1/4-20x0.75	4	
8	810275	Spring Washer, 1/4x0.5	4	



# S13-70 Wiring Schematic

