

Parts Catalog



S13-15

S-Series Slicer Manual Correctional Package

Model: S13-15

1/27/2026 Rev. AD

IMPORTANT!

TO EXPEDITE SHIPMENT OF PARTS, ALWAYS SPECIFY MODEL, REV,
PART NUMBER, AND SERIAL NUMBER OF UNIT.

GLOBE FOOD EQUIPMENT COMPANY

2215 East River Road
Dayton, Ohio 45439

Parts Department

Toll Free 1-800-745-6238

E-Mail: info@globefoodequip.com

Website: www.globefoodequip.com

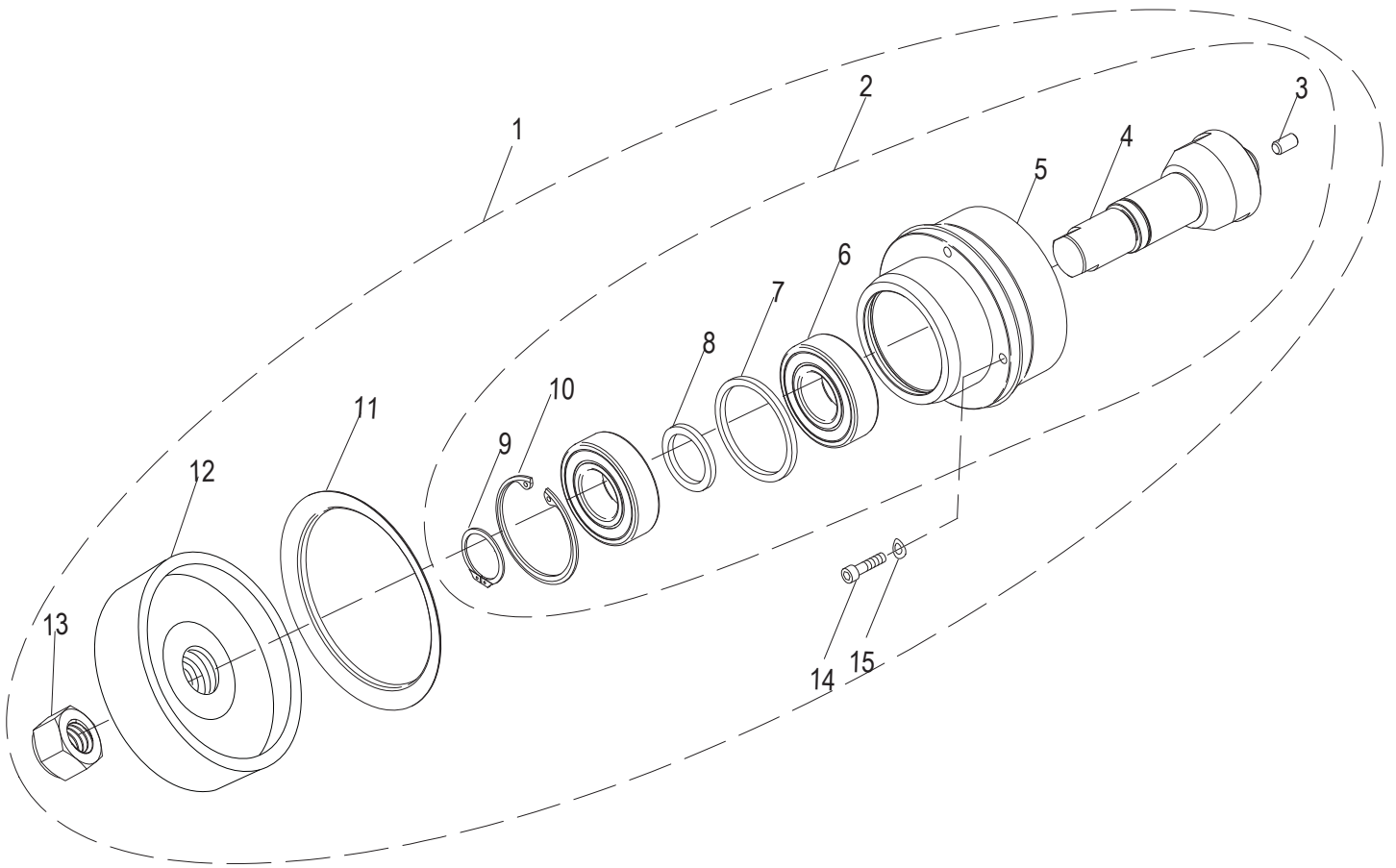
Not for resale

Table of Contents

Description	Page
S13-15 Knife Drive Assembly Components	4
S13-15 Index Knob Components	6
S13-15 Base Shroud Components	8
S13-15 Gauge Plate Components	10
S13-15 Index Slide Assembly Components	12
S13-15 Ring Guard Assembly Components	14
S13-15 Electrical Base Components	16
S13-15 Knife Drive Motor Components	18
S13-15 Transport Arm Assembly Components	20
S13-15 Lift Lever Base Components	22
S13-15 Carriage and End Weight Assembly Components	24
S13-15 Knife and Knife Cover Components	26
S13-15 Grit Sharpener Assembly Components	28
S13-15 Dummy Sharpener Assembly	30
S13-15 Wiring Schematic	32



S13-15 Knife Drive Assembly Components



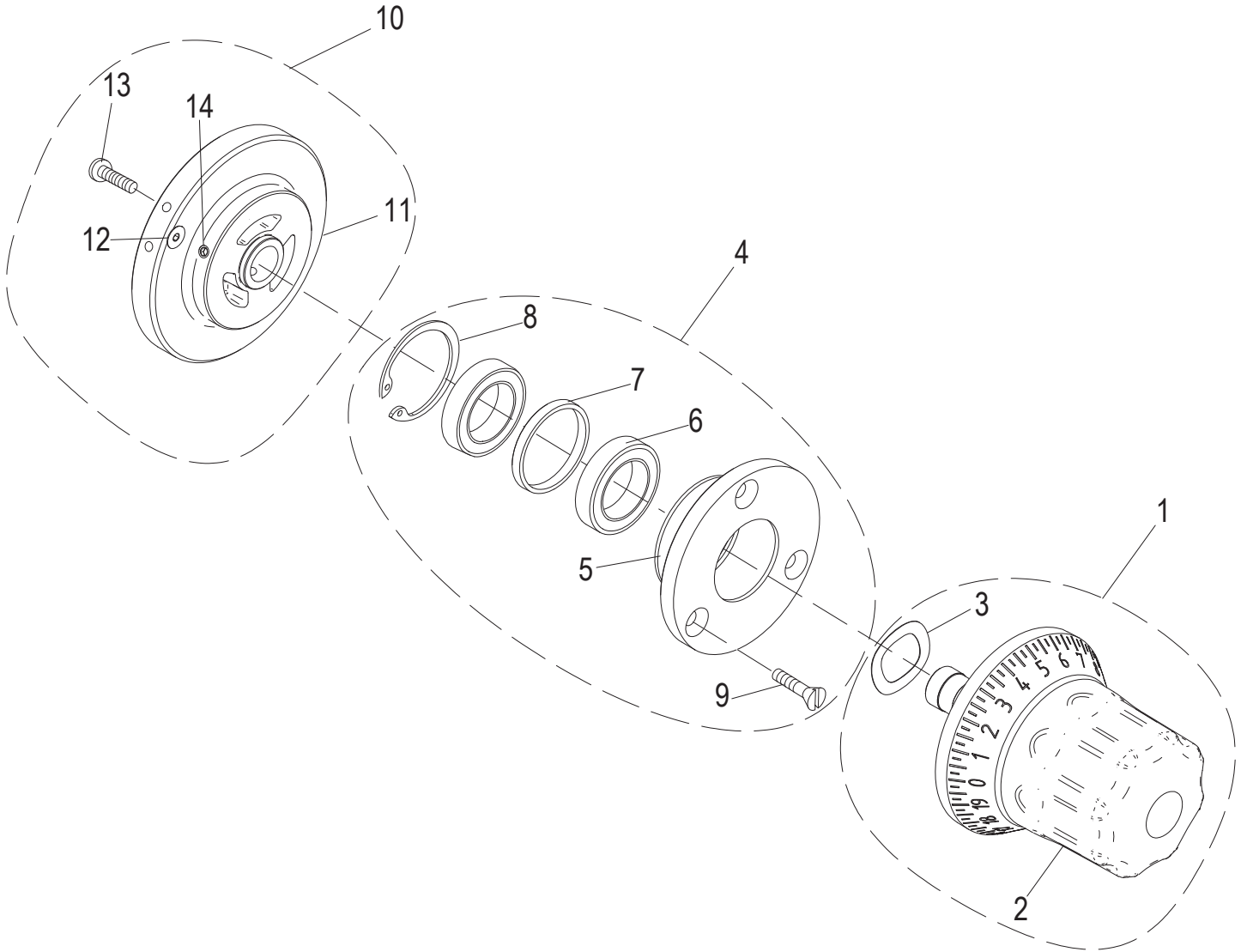


S13-15 Knife Drive Assembly Components

Item	Part Number	Description	Qty	Serial Number
1	450211	Knife Drive Assembly (Incl. items 2-15)	1	
2	420088	Knife Drive Bearing Assembly (Incl. items 3-10)	1	
3	510078	Knife Cover Bumper	1	
4	450102	Shaft, Knife Drive	1	
5	450215	Knife Drive Bearing Mount	1	
6	820045-02	Ball Bearing, Sealed	2	
7	450119	Outer Ring, Bearing Spacer	1	
8	450118	Inner Ring, Bearing Spacer	1	
9	800010	Retaining Ring 5101-98 Bowed External	1	
10	810427	Retaining Ring N5002-200	1	
11	520244	Knife Drive Boot	1	
12	450115	Knife Drive Pulley	1	
13	510033	Hex Nut, 7/8-20 Zinc	1	
14	810229	Socket Head Cap Screw 1/4-20x0.75	4	
15	810275	Spring Washer, 1/4x0.5	4	



S13-15 Index Knob Components



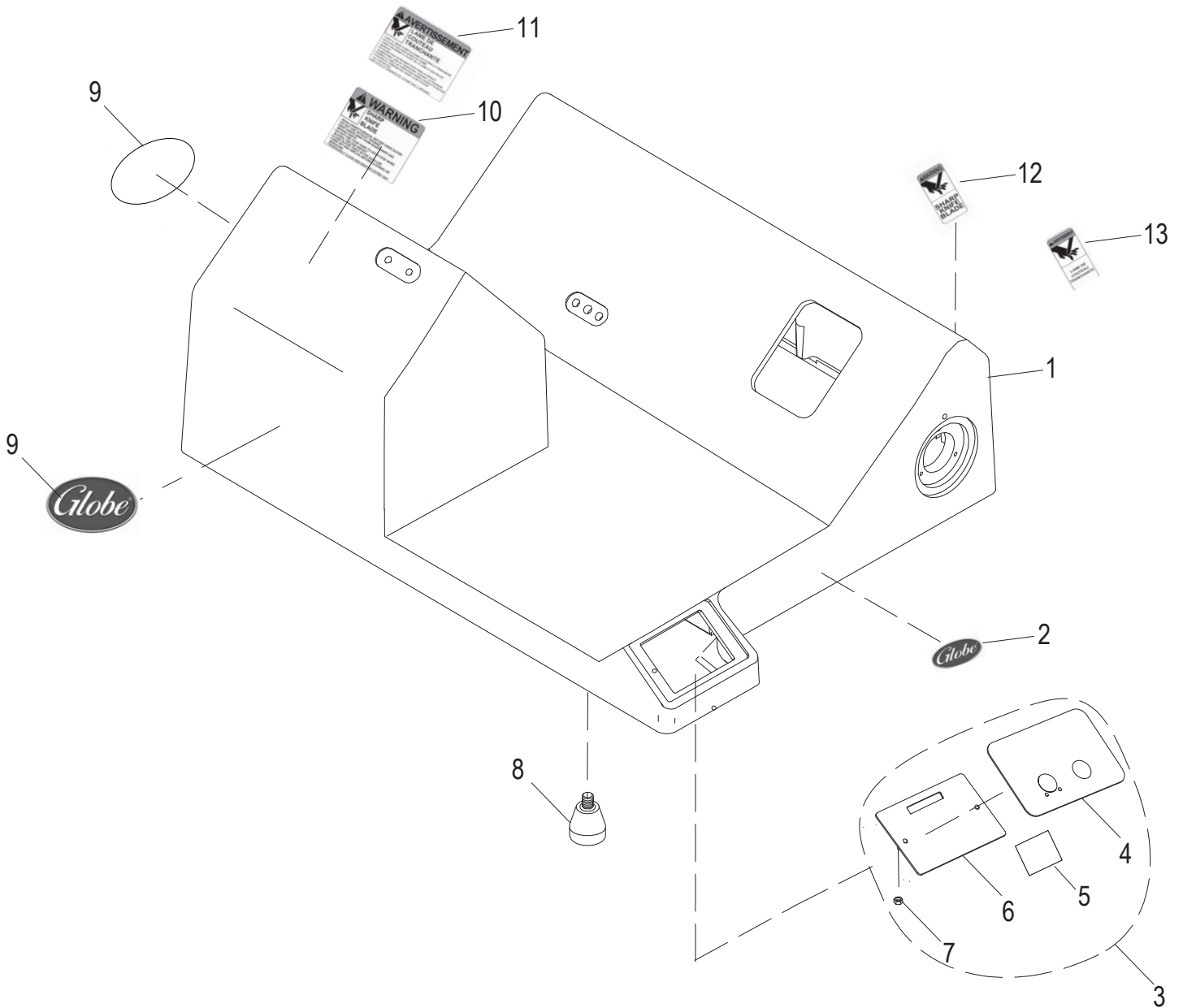


S13-15 Index Knob Components

Item	Part Number	Description	Qty	Serial Number
1	500044	Index Knob Kit (Incl. items 2-3)	1	
2	500022	Index Knob	1	
3	800136	Index Knob Tension Spring	1	
4	450214	Index Bearing Hub Assembly Kit (Incl. items 5-9)	1	
5	450150	Index Knob Bearing Hub	1	
6	800011	Ball Bearing 20x32	2	
7	450069	Spacer, Index Bearing	1	
8	800031	Internal Beveled Retaining Ring 1.388	1	
9	800104	Mach. Screw #10-24x5/8 Flat Hd Slotted	3	
10	500050	Index Cam Kit (Incl. items 11-14)	1	
11	520350	Index Cam	1	
12	800160	Socket Cap Screw #10-32x3/4 Flat Hd (SS)	1	
13	800105	Socket Cap Screw #10-32x5/8 Button-Hd	1	
14	810463	Set Screw, Knurl Grip Cup Pt 1/4-28x3/4 (SST)	3	



S13-15 Base Shroud Components



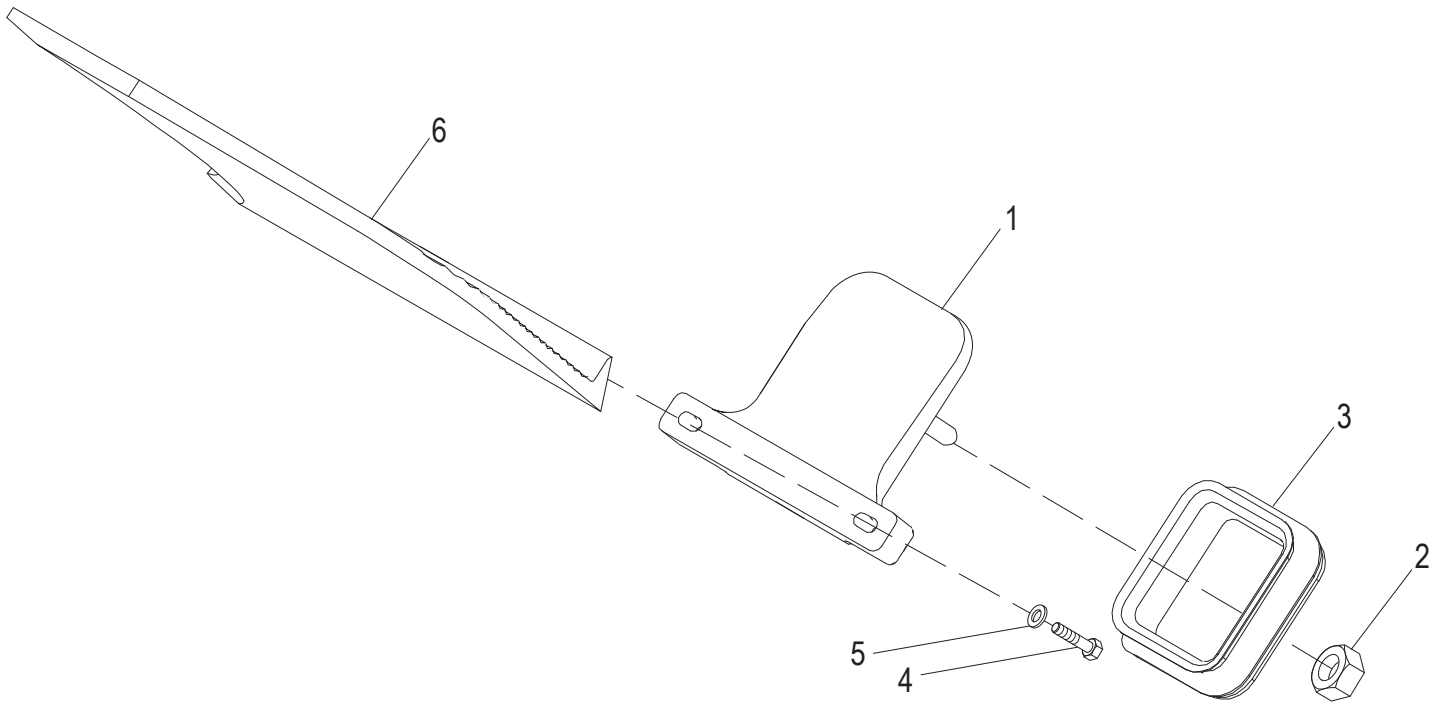


S13-15 Base Shroud Components

Item	Part Number	Description	Qty	Serial Number
1	450161-03	Slicer Base	1	
2	871-2	Globe Logo Decal 3.5"	1	
3	121070-01	Membrane Switch Kit (Incl. items 4-7)	1	
4	910191	Membrane Switch, Manual	1	
5	910088	Pad, Alcohol Prep	1	
6	300091	User Interface Panel, Manual	1	
7	810422	Nylon Locknut 6-32	2	
8	510031	Slicer Foot	4	
9	920202	Globe Logo Decal S - Series	2	
10	920200	Warning Label, Large	1	
11	920198	Warning Label, Large French	1	
12	920201	Warning Label, Small	1	
13	920199	Warning Label, Small French	1	



S13-15 Gauge Plate Components



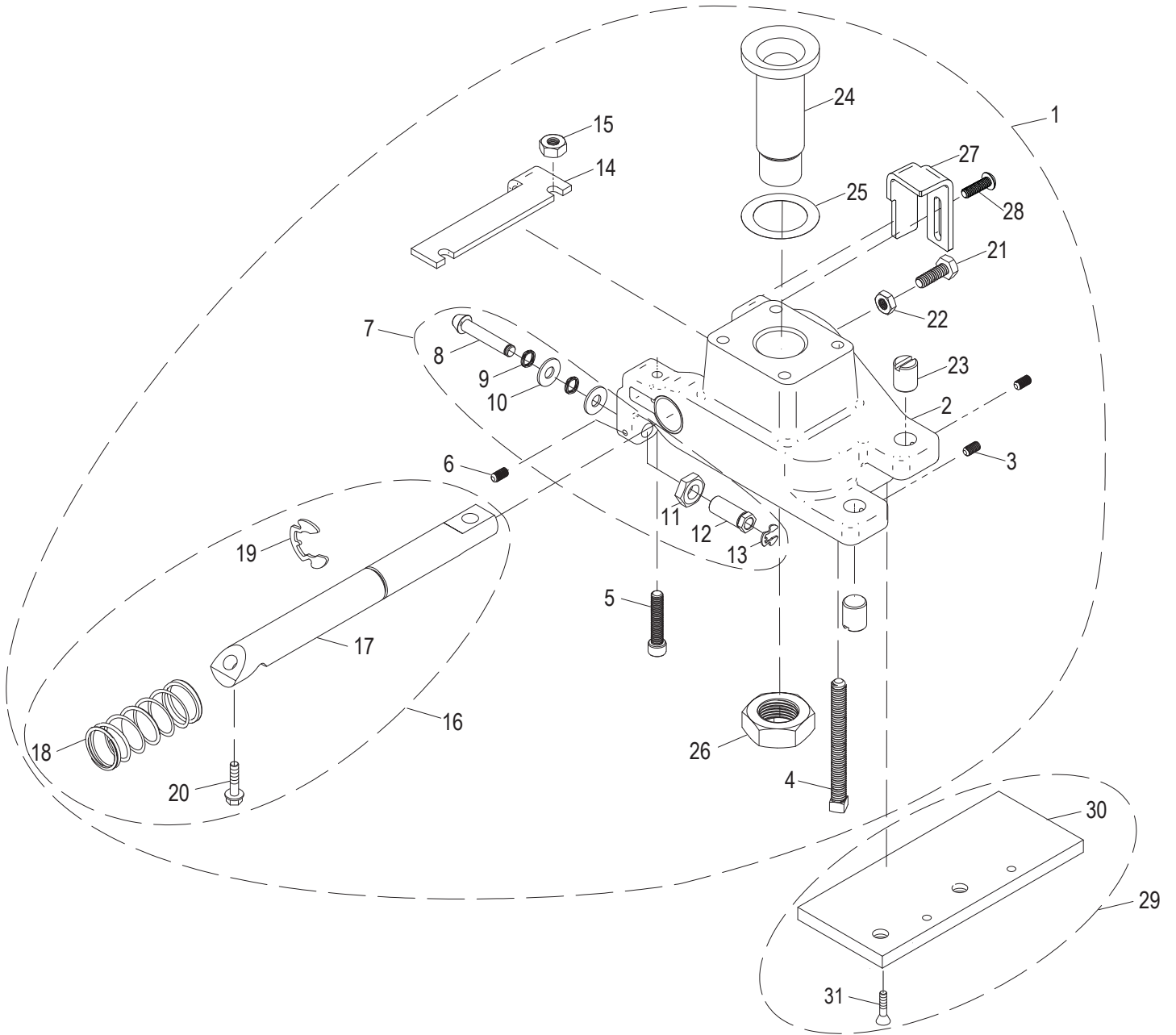


S13-15 Gauge Plate Components

Item	Part Number	Description	Qty	Serial Number
1	450212	Gauge Plate Base Assembly	1	
2	450054	Post Nut, Gauge Plate Ball Joint	1	
3	500001	Gauge Plate Seal	1	
4	890411	Cap Screw 3/8-16x1-1/2, Hex Hd with Nylon Patch	2	
5	810228	Flat Washer, fits 3/8 Screw, .885 OD	2	
6	450070	Gauge Plate	1	



S13-15 Index Slide Assembly Components





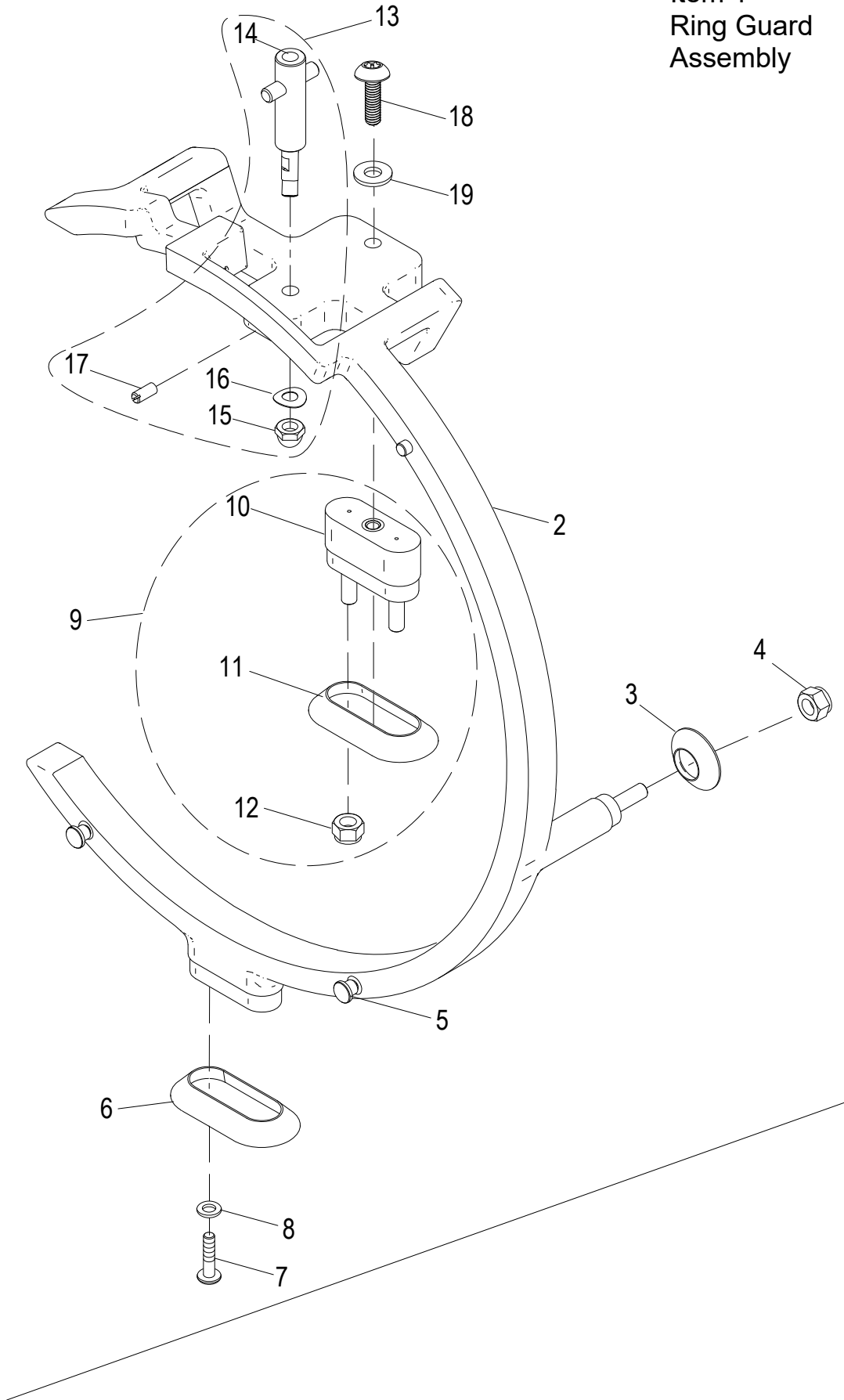
S13-15 Index Slide Assembly Components

Item	Part Number	Description	Qty	Serial Number
1	400140	Index Slide Kit (Incl. items 2-28)	1	
2	430028	Index Slide with Bushings	1	
3	810400	Set Screw #10-32x3/8 Cup Pt.	2	
4	800146	Set Screw 5/16-18x3 Sq. Hd Cup Point	4	
5	800144	Cap Screw 1/4-28x1-1/4 Socket Hd	2	
6	800091	Hex Socket Knurl-Cup Point Set Screw 8-32 X 0.1875"	1	
7	400121	Cam Follower Kit (Incl. items 8-13)	1	
8	450153	Follower	1	
9	800163	Wave Spring Cam Follower	2	
10	810410	Flat Washer 0.266x0.625	2	
11	810430	Jam Nut 3/8-24	1	
12	450152	Follower Adjustment Post	1	
13	810379	Retaining Clip Ring 5304-18	1	
14	300153	Stop Plate, Tilt Back	1	
15	800145	Nut 1/4-28 Hex	2	
16	400122	Index Slide Shaft Kit (Incl. items 17-20)	1	
17	450058	Index Slide Shaft	1	
18	800154	Index Spring	1	
19	800152	Retaining Ring (Klipring) 5304-75	1	
20	800058	Washer 5/16-18-1 Hex Hd Tapping Screw	2	
21	810431	Hex Head Screw 1/4-20x0.75	1	
22	810432	Jam Nut 1/4-20	1	
23	450057	Screw, Anti-Rotation	2	
24	450050	Ball Joint Rest	1	
25	800168	Gauge Plate Spacer Kit (Kit of 4)	1	
26	800043	Nut 7/8-14 UNF Hex Jam	1	
27	300154	Adjustment Stop	1	
28	800105	Socket Cap Screw #10-32x5/8 Button-Hd	2	
29	400128	Anti-Rotation Plate Kit (Incl. items 29-31)	1	
30	450056	Anti-Rotation Plate	1	
31	810003	Screw 1/4-20x3/4 Crossed Rec., Flat Hd, Tapping	2	



S13-15 Ring Guard Assembly Components

Item 1
Ring Guard
Assembly



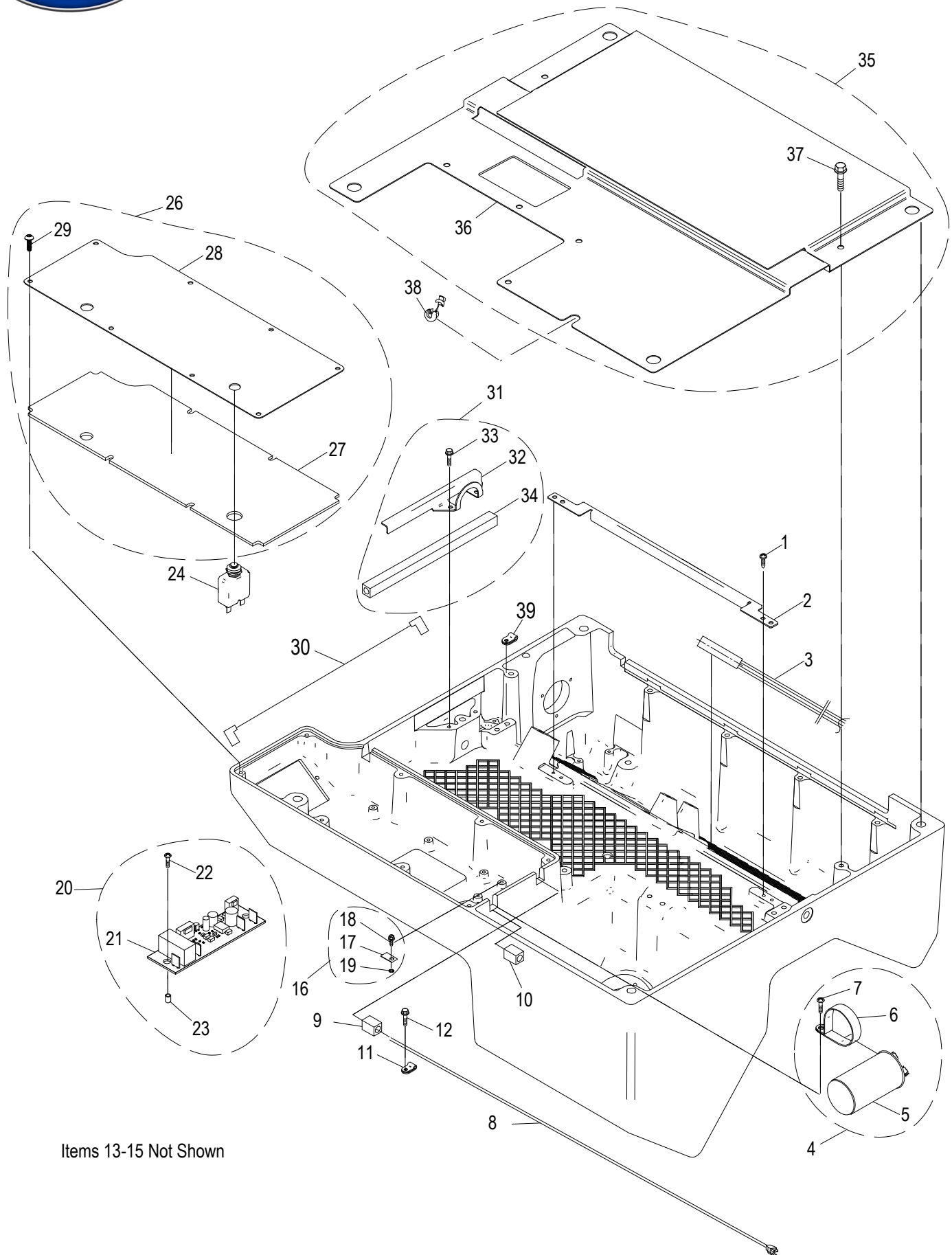


S13-15 Ring Guard Assembly Components

Item	Part Number	Description	Qty	Serial Number
1	510085	Ring Guard Assembly (Incl. items 2-19)	1	
2	520316	Ring Guard	1	
3	520243	Round Boot, Ring Guard	1	
4	810438	Nylon Insert Lock Nut 1/4-20	1	
5	450130	Locator Pin	2	
6	520242	Oval Boot, Ring Guard	1	
7	810358	Slotted Truss Head Screw 1/4-20 x 1.00	2	
8	810345	Flat Washer, 1/4 x 0.63	1	
9	450213	Ring Guard Spacer Kit (Incl. items 10-12)	1	
10	460064	Spacer, Ring Guard	1	
11	520242	Oval Boot, Ring Guard	1	
12	810438	Nylon Insert Lock Nut 1/4-20	2	
13	460070	Sharpener Mount Assembly Kit (Incl. items 14-17)	1	
14	450181	Sharpener Mount Assembly	1	
15	800185	Acorn Nut, 1/4-28	1	
16	800184	Spring Washer 0.26x0.55x0.015	1	
17	810483	Slotted Set Screw, #10-32x0.50	1	
18	810374	Mach. Screw 1/4-20x1, Torx	1	
19	810345	Flat Washer, 1/4 x 0.63	2	



S13-15 Electrical Base Components



Items 13-15 Not Shown

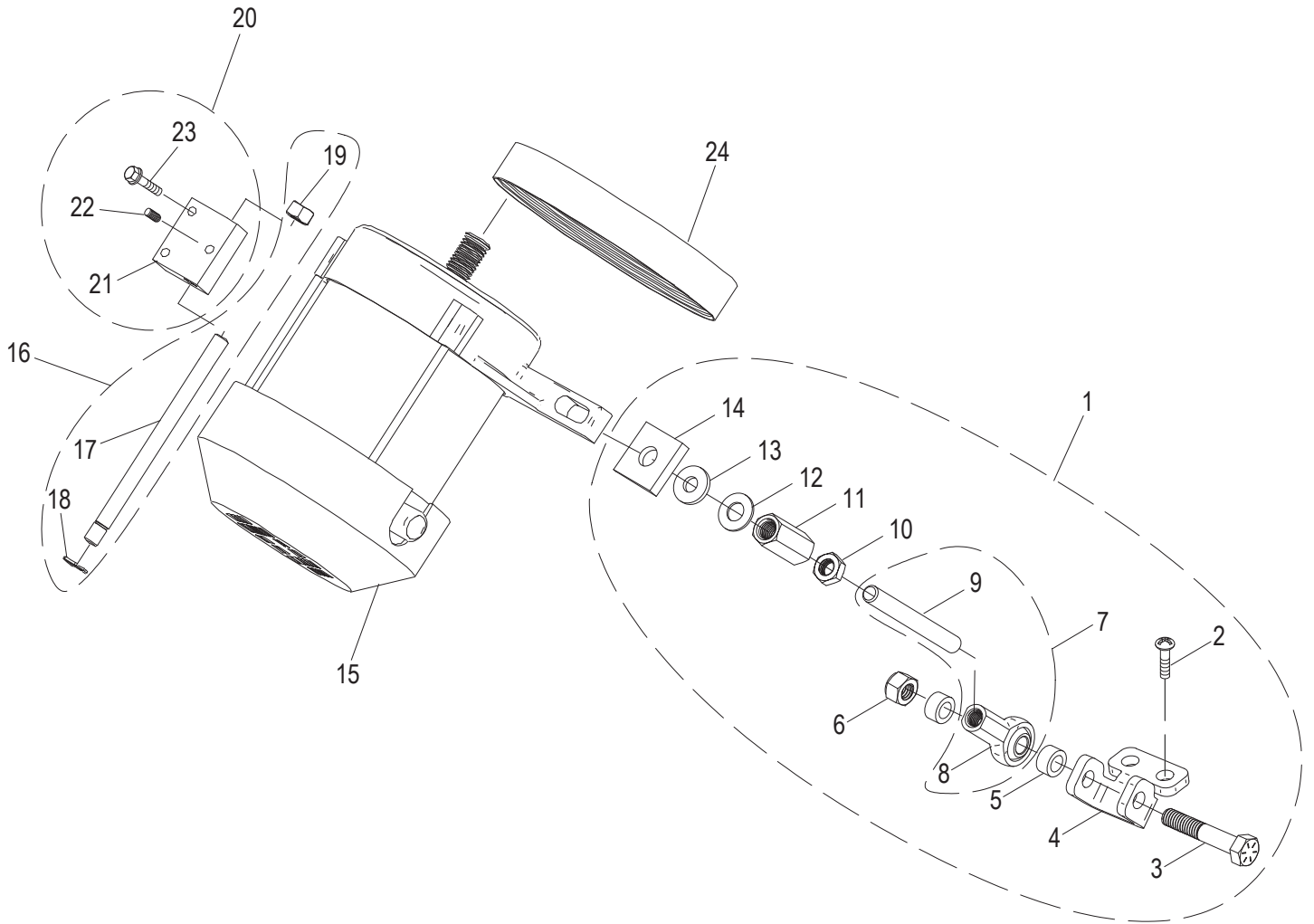


S13-15 Electrical Base Components

Item	Part Number	Description	Qty	Serial Number
1	800069	Phillips Round Head Thread Forming Screw 8-32 x 0.375"	4	
2	310208	Inner Wireway Cover	1	
3	110107	Harness, Reed Switch, Knife Cover Sensor	1	
4	121082-01	120V Capacitor Kit (Incl. items 5-7)	1	
5	140015	Capacitor, Knife Motor 120V	1	
6	110228	Capacitor Clamp (120V)	1	
7	800069	Phillips Round Head Thread Forming Screw 8-32 x 0.375"	1	
4	121082-02	220V Capacitor Kit (Incl. items 9-11) Not Shown	1	
5	140016	Capacitor, Knife Motor (220V) Not Shown	1	
6	110229	Capacitor Clamp (220V) Not Shown	1	
7	800069	Phillips Round Head Thread Forming Screw 8-32 x 0.375" Not Shown	1	
8	130225	Power Supply Cord, 120VAC, 15A	1	
9	510045-01	Sleeve, Large Diameter Wire	1	
10	510044-01	Sleeve, Small Diameter Wire	1	
11	110227	Power Cord Strain Relief	1	
12	800057	Screw 1/4-20x.75 Hex Washer Hd Tapping	1	
13	130008-01	Power Cord (220V/50Hz) Not Shown	1	
14	130226	Power Supply Cord Not Shown	1	
15	130228	Male Power Plug, Europe CEE7/7, 50Hz Not Shown	1	
13	130008-02	Power Cord (220V/60Hz) Not Shown	1	
14	130226	Power Supply Cord Not Shown	1	
15	130227	Three Blade Male Plug, NEMA 3-15, 60Hz Not Shown	1	
16	121080	Ground Location Tab Kit (Incl. items 24-26)	1	
17	910184	Tab, Ground Location	1	
18	800202	Green Slotted Hex Washer Head Screw #8-32 x 0.312	1	
19	800115	External Tooth Lock Washer #8x0.381	1	
20	100024	Manual Control Board Kit (Incl. items 28-30)	1	
21	121003	Manual Control Board Assembly	1	
22	800175	Screw #8-32x3/4 Crossed Recessed Tapping	4	
23	810450	Self Retaining Spacer	4	
24	140017-01	Circuit Breaker	1	
25	140017-02	Circuit Breaker (220V) Not Shown	1	
26	300073	Electronics Cover & Gasket Kit (Incl. items 33-35)	1	
27	500016	Gasket, Electronic Cover	1	
28	300013	Cover, Electronics	1	
29	810349	Tapping Screw 10 x 1/2 PH, Torx	8	
30	100125	Wire Harness, Circuit Breaker	1	
31	300067-01	Front Wireway Cover Kit (Incl. items 38-40)	1	
32	310207	Cover, Front Wireway	1	
33	800067	Screw #10-24x1/2 Hex Washer Hd Tapping	2	
34	510044-02	Sleeve, Small Diameter Wire	1	
35	300068-01	Bottom Cover Assembly (Incl. items 42-43)	1	
36	300139	Bottom Cover	1	
37	810493	Screw 1/4-20x1/2 Torx	2	
38	877	Strain Relief	1	
39	110226	Clamp, Nylon Loop	1	



S13-15 Knife Drive Motor Components



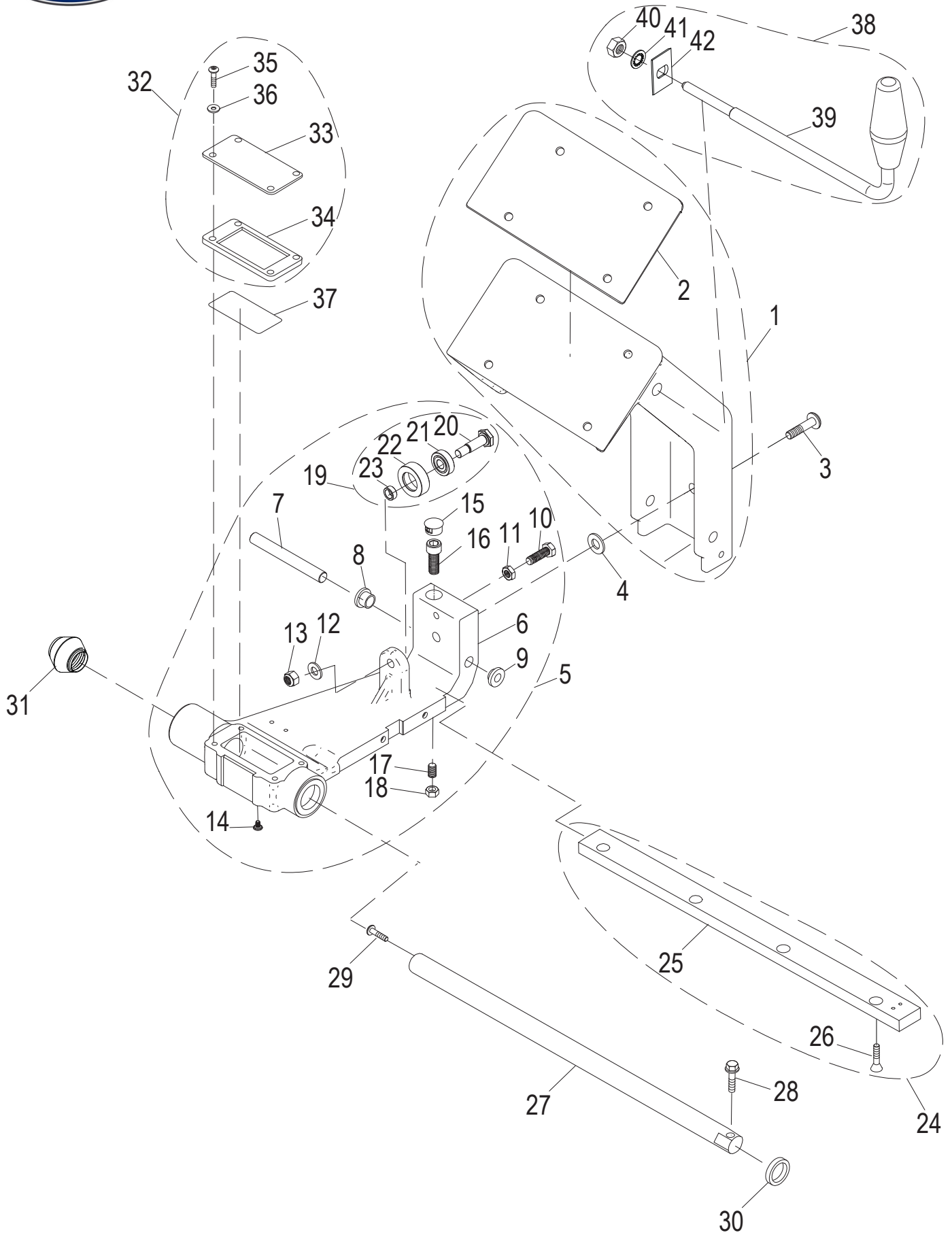


S13-15 Knife Drive Motor Components

Item	Part Number	Description	Qty	Serial Number
1	400124	Knife Tensioner Kit (Incl. items 2-14)	1	
2	800135	Thread Forming Screw 1/4-20x5/8 PHP	2	
3	810419	Cap Screw, 5/16-18x1.75 Hx Hd	1	
4	300023	Knife Motor Tensioner Bracket	1	
5	500033	Sleeve Spacer	2	
6	810420	Nylon Insert Locknut 5/16-18	1	
7	400125	Threaded Ball Joint, Knife Tensioner (Incl. items 8-9)	1	
8	800093	Ball Joint Rod End 5/16'-24 Thd	1	
9	450034	Tension Shaft 5/16-24 x 3 Full Thread	1	
10	810414	Nut 5/16-24 UNF Zinc Plated Steel Hex Jam	1	
11	800162	Nut 5/16-24x1 Hex Coupling	1	
12	810416	Flat Washer, 5/16 x 0.69	1	
13	810417	Washer 5/16 Neoprene	1	
14	800161	Washer 5/16 Leveling	1	
15	120158-01	Knife Drive Motor, Single Phase, 120V, 60Hz	1	
15	120158-02	Knife Drive Motor, Single Phase, 220V, 60Hz Not Shown	1	
15	120158-03	Knife Drive Motor, Single Phase, 220V, 50Hz Not Shown	1	
16	400113	Motor Mount Pivot Rod Assembly (Incl. items 17-19)	1	
17	400026	Motor Mount Pivot Rod	1	
18	810429	External Retaining Ring 0.25x0.042	1	
19	810420	Nylon Insert Locknut 5/16-18	1	
20	400123	Motor Pivot Block Kit (Incl. items 21-23)	1	
21	450117	Motor Pivot Block	1	
22	800094	Hex Socket Knurl-Cup Point Set Screw 10-32 x 0.25	1	
23	800068	Washer #10-24x1 Hex Hd Tap. Screw Slotted	2	
24	800092	Knife Drive Belt	1	



S13-15 Transport Arm Assembly Components





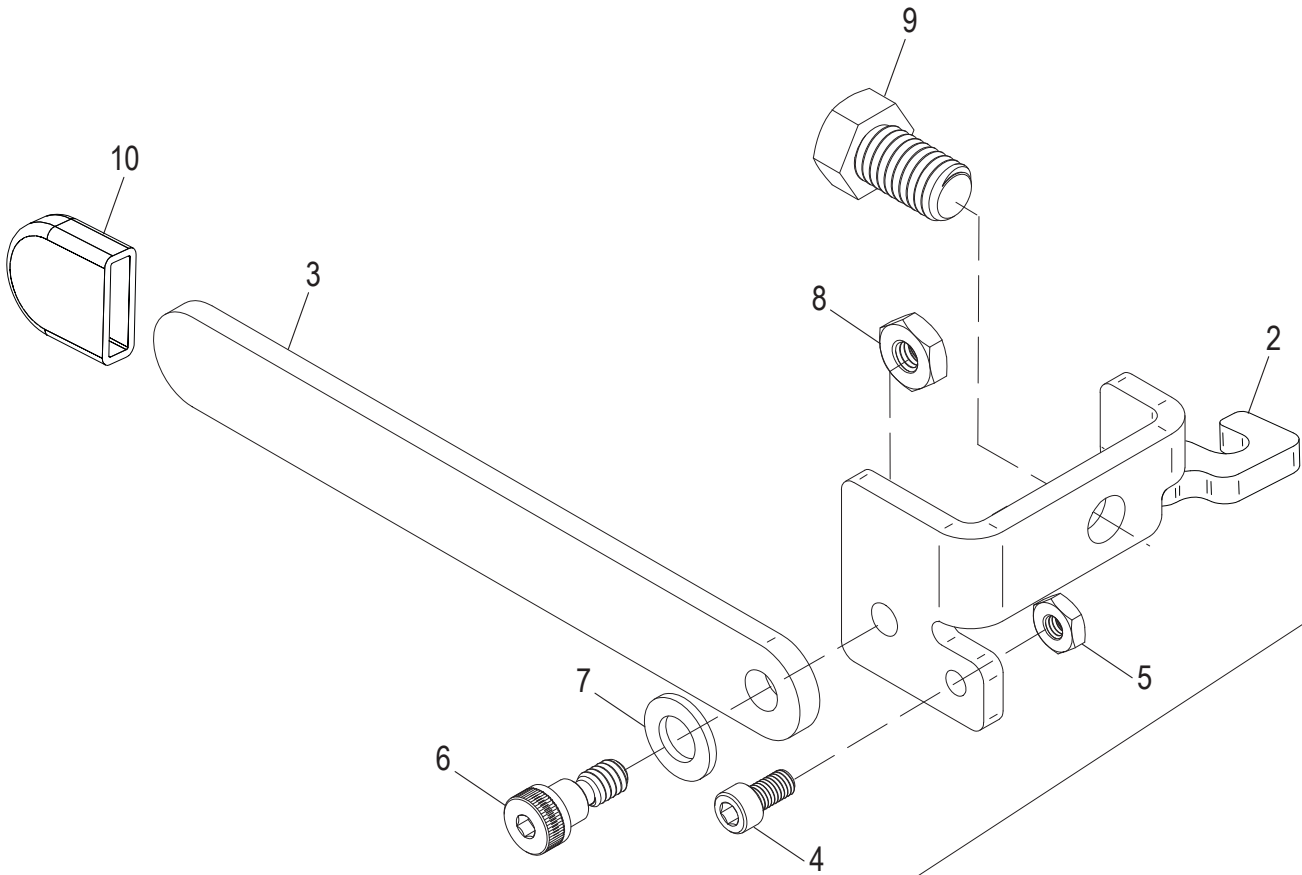
S13-15 Transport Arm Assembly Components

Item	Part Number	Description	Qty	Serial Number
1	400129	Carriage Arm & Gasket Kit (Incl. item 2)	1	
2	500004	Carriage Arm Gasket	1	
3	820027	Modified Mach. Screw 3/8-16x1-1/2, Button Hd Torx	1	
4	800149	Captive Knob Retainer	1	
5	400115	Transport Replacement Assembly (Incl. items 6-23)	1	
6	420062	Transport with Bushings	1	
7	400017	Transport Attachment Pin	1	
8	810237	Shoulder Washer .51 IDx.88 Nylon	1	
9	810238	Shoulder Washer .51 IDx1.125 Nylon	1	
10	810406	Hex Cap Screw 5/16-24x1,18-8 (SST)	1	
11	810414	Nut 5/16-24 UNF Zinc Plated Steel Hex Jam	1	
12	810272	Flat Washer 5/16 x 0.63	1	
13	810420	Nylon Insert Locknut 5/16-18	1	
14	810232	Phillips Pan Head Sealing Screw 8-32 x 0.25"	1	
15	810227	Dome Plug for 5/8 Hole	1	
16	810256	Socket Hd Cap Screw 3/8-16 x 1 (SST)	1	
17	800015	Transport Tie Down Screw 5/16-24x1.30"	1	
18	800048	Hex Nut 5/16-24	1	
19	800014	Roller Bearing Assembly (Incl. items 20-23)	1	
20	810351	Roller Bearing Bolt	1	
21	810363	Roller Bearing	1	
22	500003	Bearing Sleeve	1	
23	810352	Spacer Sleeve	1	
24	400131	Transport Roller Bar Kit (Incl. items 25-26)	1	
25	450061	Transport Roller Bar	1	
26	810004	Tapping Screw 1/4-20x1 Cross Rec. FH	4	
27	450060	Transport Shaft	1	
28	800059	Washer 5/16-18x1.25 Hex Hd Tapping Screw	1	
29	810378	Pin-In-Torx Button Head 5/16-18 x 1	1	
30	500005	Transport Bumper	1	
31	800131	Sleeved Spring Assembly	1	
32	300064	Transport Cover Kit (Incl. items 33-36)	1	
33	300080	Transport Cover	1	
34	510058	Oil Well Gasket	1	
35	800109	Screw 1/4-20x.50 Button Hd Cap	1	
36	800079	Flat Washer, 1/4x0.625	1	
37	800053	Felt Insert	1	
38	400114	Carriage Arm Handle Assembly with Nut (Incl. items 39-42)	1	
39	460076	Carriage Arm Handle	1	
40	810224	Hex Nut, 1/2-13 Left Hand, Thread	1	
41	810226	Lock Washer, 1/2 Screw Size, Internal Tooth	1	
42	400155	Anti Rotation Block	1	



S13-15 Lift Lever Base Components

**Item 1
Manual Kickstand Assembly**



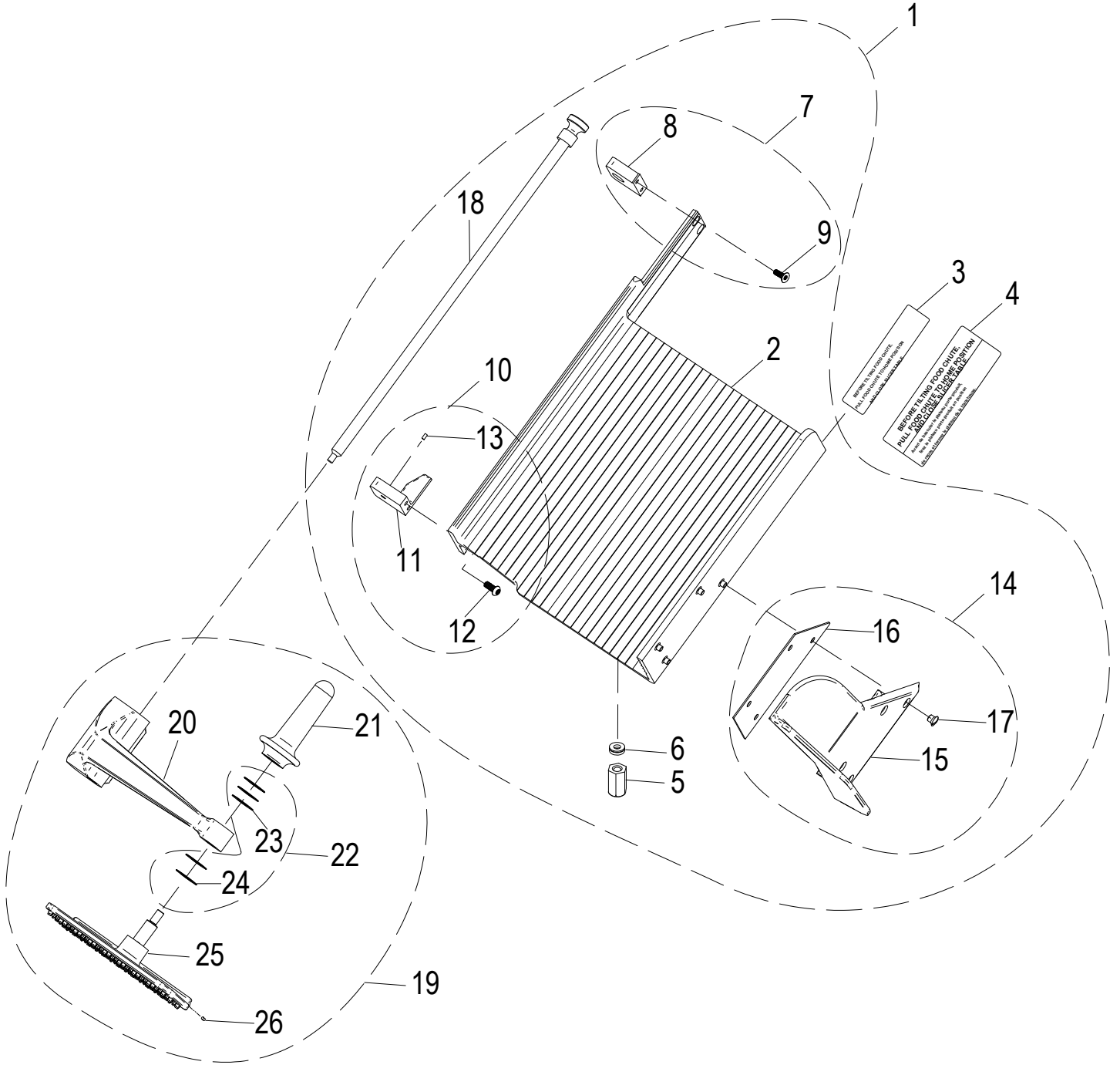


S13-15 Lift Lever Base Components

Item	Part Number	Description	Qty	Serial Number
1	300046	Manual Kickstand Assembly (Incl. items 2-10)	1	
2	300044	Manual Kickstand Bracket	1	
3	300045	Manual Kickstand Arm	1	
4	800124	Socket Hd. Cap Screw #10-32 x 3/8 SST	1	
5	800125	Hex Nut, #10-32 SST	1	
6	800122	Long Shoulder 5/16" Dia. x 1/4" Screw 1/4"-20 Thrd	1	
7	810272	Flat Washer 5/16 x 0.63	1	
8	800128	Nylon-Insert Thin Hex Nut 1/4-20 SST	1	
9	800189	Cap Screw, 5/16-18 UNCx3/4 Hx Hd	1	
10	500062	Manual Kickstand Boot	1	



S13-15 Carriage and End Weight Assembly Components



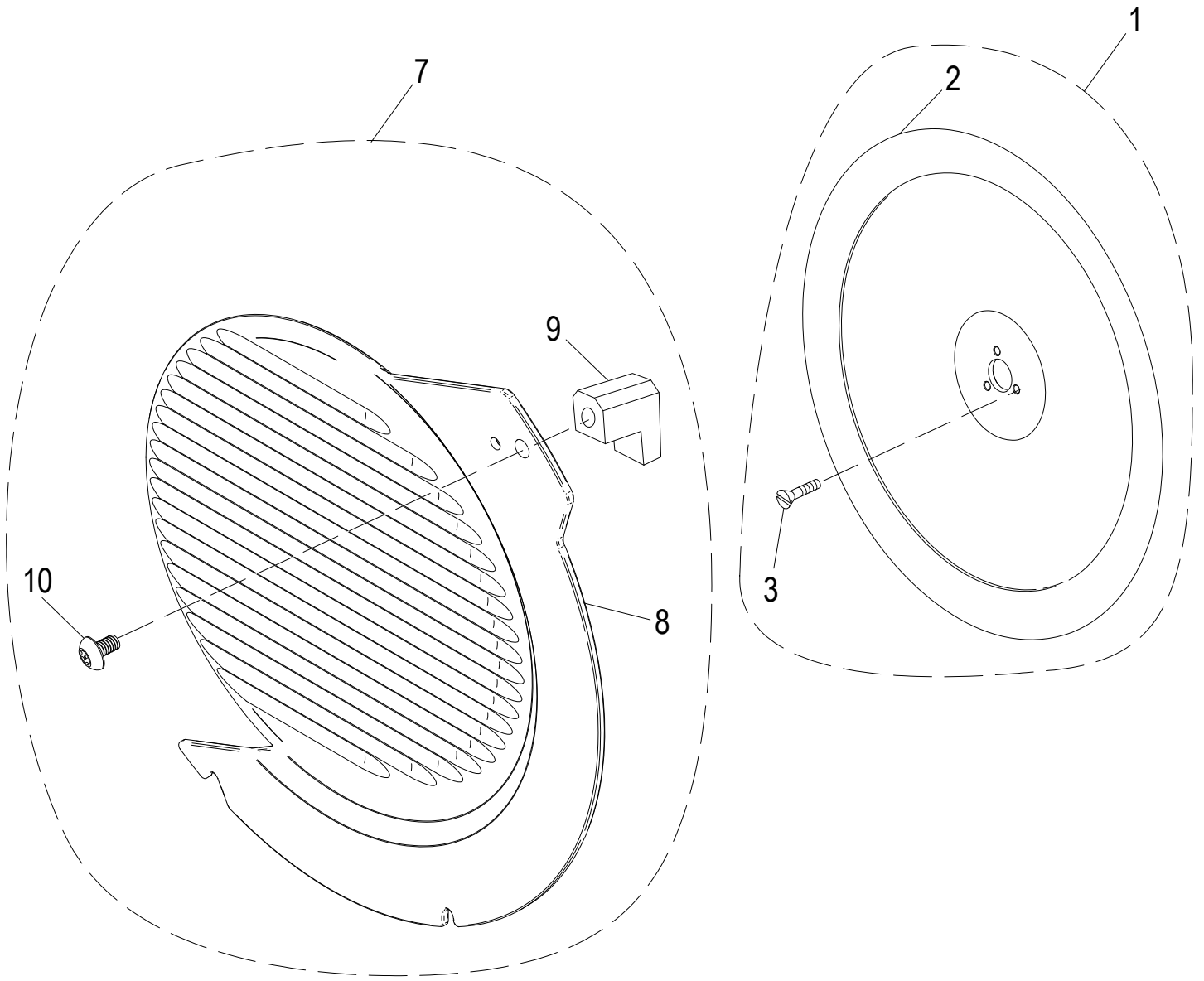


S13-15 Carriage and End Weight Assembly Components

Item	Part Number	Description	Qty	Serial Number
1	400138-02	Carriage Assembly Kit (Incl. items 2-18)	1	
2	400012	Carriage Insert Assembly	1	
3	920196	Carriage Tilt Label	1	
4	920197	Carriage Tilt Label (French)	1	
5	800188	Custom Nut, 1/4-20	4	
6	800085	Washer 1/4" Screw, Self Aligning	4	
7	400343	Rod Mount KitEnd Weight, Security (Incl. items 8-9)	1	
8	450156	End Weight Rod Mount	1	
9	810372	Pin-In-Torx Flat Head Screw 1/4-20 x 0.75	2	
10	400344	End Weight Stop Kit, Security (Incl. items 11-13)	1	
11	420094	End Weight Stop	1	
12	810373	Mach. Screw 1/4-20x5/8 Button Hd Pin-in-Torx	2	
13	800205	Stop Pin, Delrin End Weight	1	
14	500167	Thumb Guard Assembly Kit, Security (Incl. items 15-17)	1	
15	510052	Thumb Guard Assembly	1	
16	510038	Carriage Thumb Guard Gasket	1	
17	430054	Thumb Guard Screw, Tamper Proof	4	
18	450197	End Weight Shaft Assembly	1	
19	500027-01	End Weight Assembly (Incl. items 20-26)	1	
20	420065	End Weight Arm Assembly	1	
21	500024	End Weight Handle	1	
22	800164	End Weight Face Washer Kit (Incl. items 23-24)	1	
23	800033-02	End Weight Face Washer	1	
24	800033-01	End Weight Face Washer	4	
25	500007	Molded End Weight Assembly	1	
26	800047	Delrin Pin, 1/8 Dia x 3/8	1	



S13-15 Knife and Knife Cover Components



Items 4-6 Not Shown



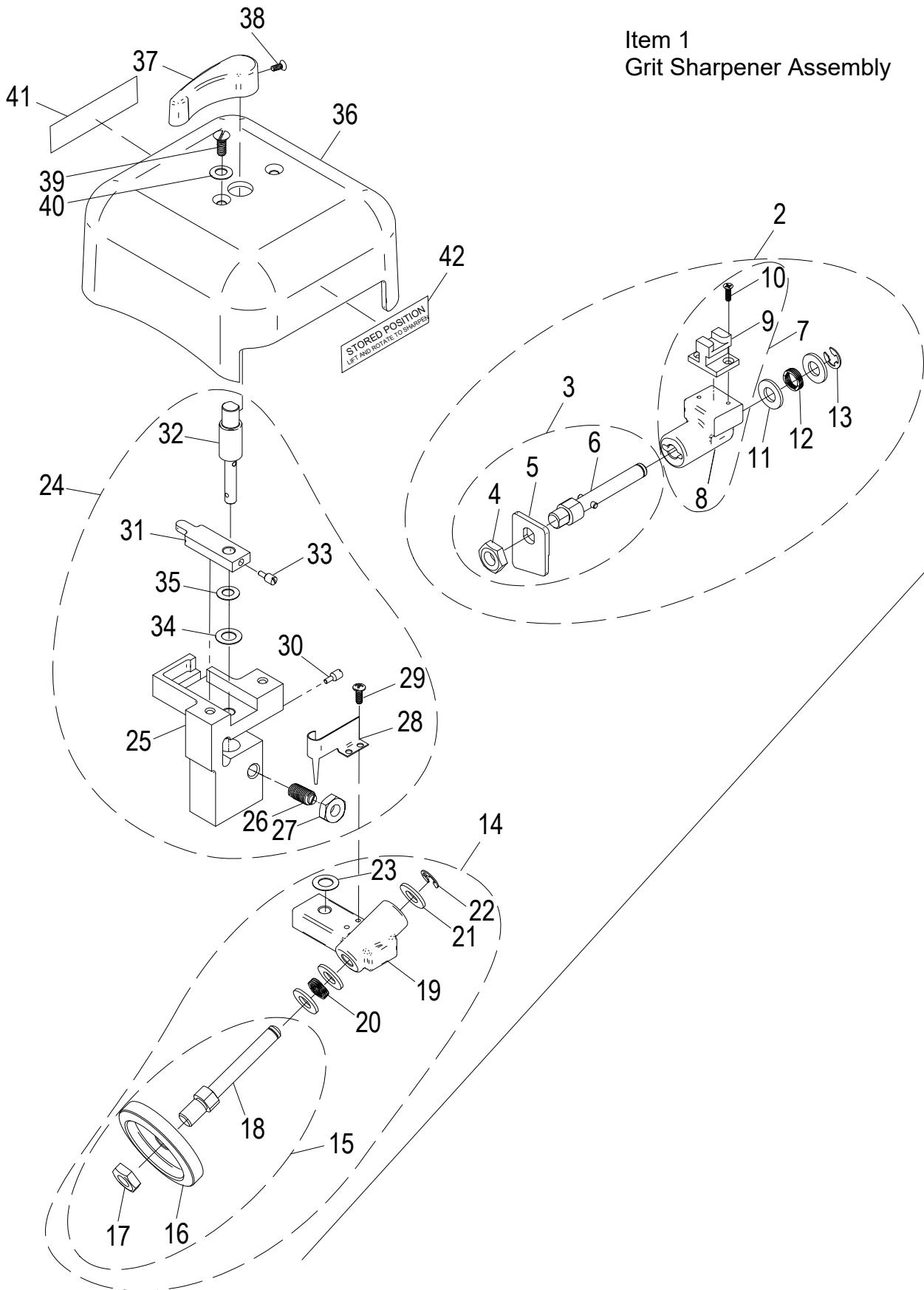
S13-15 Knife and Knife Cover Components

Item	Part Number	Description	Qty	Serial Number
1	400139-01	Knife Kit (Incl. items 2-3)	1	
2	450170	13 Inch Steel Knife	1	
3	810368	Pin-In-Torx Flat Head Screw 10-32 x 0.50	3	
4	400161-01	Stainless Steel Knife Kit (incl. items 5-6) Not Shown	1	
5	450171	Knife, 13 inch (SST) Not Shown	1	
6	810274	Slotted Flat Head Screw, 10-32x0.5 Not Shown	3	
7	410055	Knife Cover Assembly, Security Slicer	1	
8	250063	Knife Cover	1	
9	430056	Knife Cover Lock	1	
10	810377	Mach. Screw 5/16-18x3/4 Button Hd Torx	1	



S13-15 Sharpener Assembly Components

Item 1
Grit Sharpener Assembly





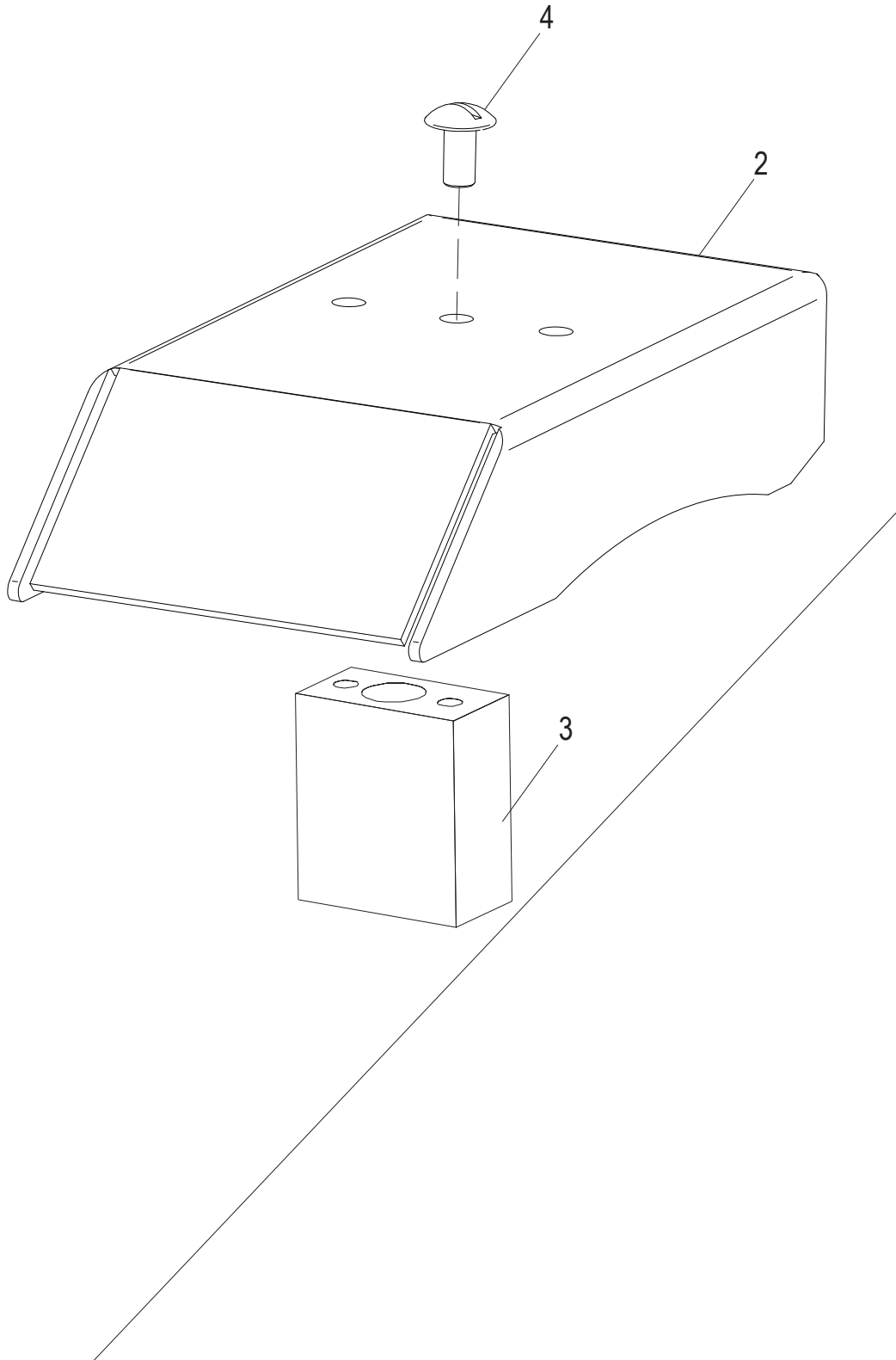
S13-15 Sharpener Assembly Components

Item	Part Number	Description	Qty	Serial Number
1	440044-03	Grit Sharpener Assembly (Incl. items 2-42)	1	S13-15-000175 ->
2	430051-02	Grit Honing Stone Assembly (Incl. items 3-13)	1	
3	940033-02	Grit Honing Stone Shaft Assembly (Incl. items 4-6)	1	
4	810430	Jam Nut 3/8-24	1	
5	200047	Flat Grit Honing Stone	1	
6	450163	Honing Stone Dowel Assembly	1	
7	400291	Honing Stone Bracket Kit (Incl. items 8-10)	1	
8	430032	Honing Stone Bracket	1	
9	430042	Honing Stone Slide	1	
10	810222	Phillips Flat Head Screw #4-40 x 0.38	2	
11	810272	Flat Washer 5/16 x 0.63	2	
12	810362	Wave Spring 0.38 x 0.49 x 0.14	1	
13	810273	External Retaining Ring, Type E 0.243 x .50	1	
14	430052-02	Grit Sharpening Stone Assembly (Incl. items 14-22)	1	
15	940044-02	Grit Sharpening Stone Shaft Assembly (Incl. items 15-18)	1	
16	410049	Grit Sharpening Stone	1	
17	810430	Jam Nut 3/8-24	1	
18	460065	Sharpening Stone Shaft	1	
19	430031	Sharpening Stone Bracket	1	
20	810361	Wave Spring 0.37 x 0.49 x 0.15	1	
21	810272	Flat Washer 5/16 x 0.63	3	
22	810273	External Retaining Ring, Type E 0.243 x .50	1	
23	810437	Flat Washer 5/16 x 0.57	1	
24	400137	Sharpener Mount Center Kit (Incl. items 25-35)	1	
25	430045	Sharpener Center Mount	1	
26	810488	Slotted Ball Plunger, 1/4-28 x 0.531	1	
27	810489	Jam Nut 1/4-28	1	
28	310137	Sharpener Return Spring	1	
29	810271	Phillips Pan Head Screw #6-32x0.375	2	
30	810344	Slotted Dog Point Set Screw #10-32 x 0.45	1	
31	430040	Honing Stone Lever	1	
32	430047	Sharpener Handle Shaft	1	
33	810344	Slotted Dog Point Set Screw #10-32 x 0.45	1	
34	810437	Flat Washer 5/16 x 0.57	1	
35	800184	Spring Washer 0.26x0.55x0.015	1	
36	250069	Sharpener Cover	1	
37	510041	Sharpener Handle, Top	1	Refer to Serial Number Document
37	500070	Sharpener Handle, Top	1	Refer to Serial Number Document
38	810233	Mach. Screw 8-32x1/2 Black, Phillips, w/Nylon Patch	1	Refer to Serial Number Document
38	800223	Phillips Flat Head Screw #8-32 x 0.375	1	Refer to Serial Number Document
39	810246	Slotted Truss Head Screw #10-32 x 0.50	2	
40	810279	Spring Washer #10 x 0.42	2	
41	920215	Label, Sharpen Position	1	
42	920216	Label, Stored Position	1	



S13-15 Dummy Sharpener Assembly

Item 1
Dummy Sharpener Assembly





S13-15 Dummy Sharpener Assembly

Item	Part Number	Description	Qty	Serial Number
1	310255	Dummy Sharpener Assembly	1	
2	310244	Dummy Sharpener Top	1	
3	450185	Dummy Sharpener Base	1	
4	810180	Pin-In-Torx Button Head Screw, 1/4-20 x 0.50	3	



S13-15 Wiring Schematic

