

# Parts Catalog



**PP5**

## Patty Press

**Model: PP5**

03/22/2019 Rev B

IMPORTANT!

TO EXPEDITE SHIPMENT OF PARTS, ALWAYS SPECIFY MODEL, REV,  
PART NUMBER, AND SERIAL NUMBER OF UNIT.

## **GLOBE FOOD EQUIPMENT COMPANY**

2215 East River Road  
Dayton, Ohio 45439

### **Parts Department**

Toll Free 1-800-745-6238 · Fax (937) 290-0585

E-Mail: [info@globefoodequip.com](mailto:info@globefoodequip.com)

Website: [www.globefoodequip.com](http://www.globefoodequip.com)

Not for resale



# Table of Contents

**Description**

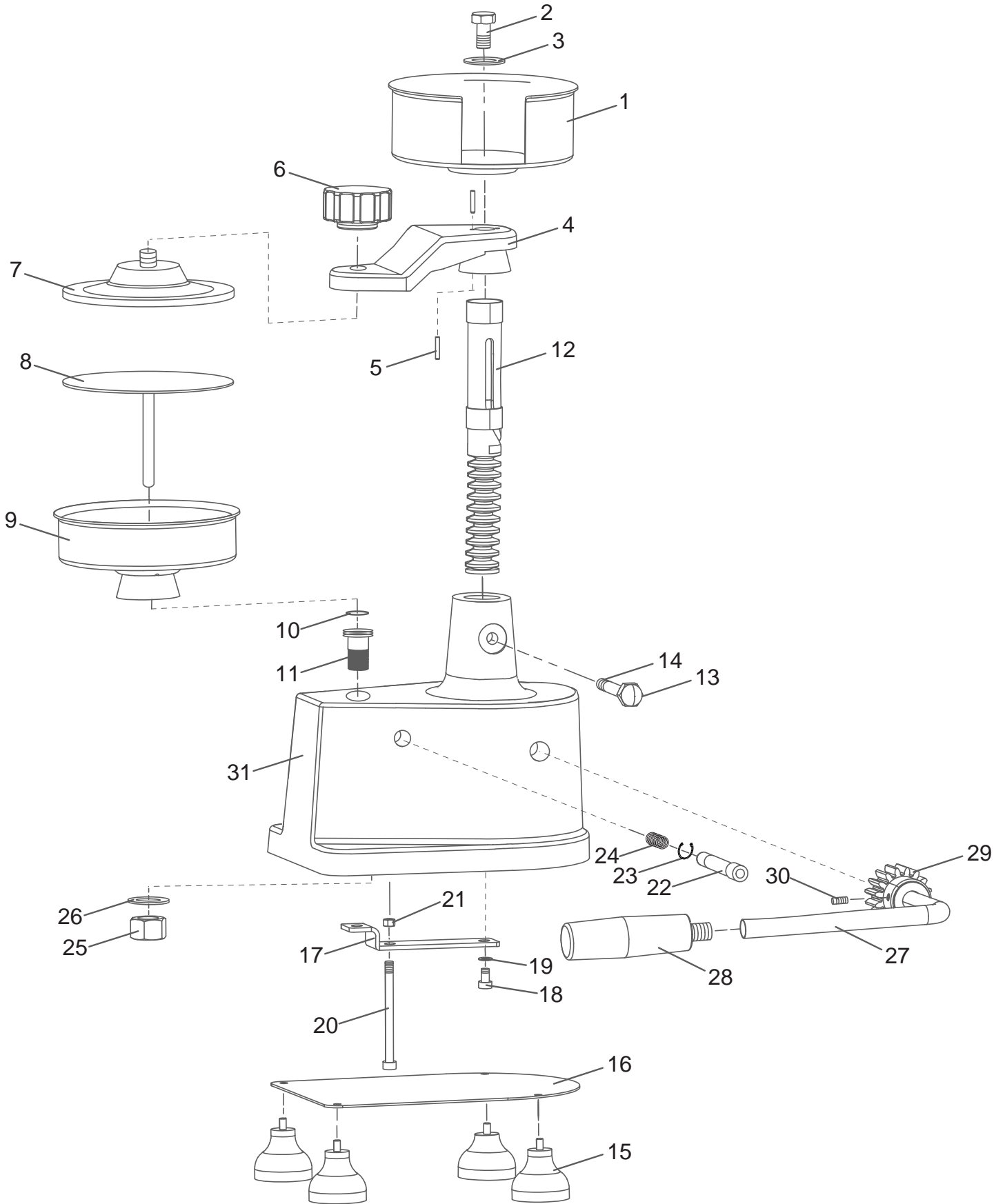
**Page**

PP5 Patty Press Components

4



# PP5 Patty Press Components





## PP5 Patty Press Components

Item	Part Number	Description	Qty	Serial Number
1	N00619	Paper Tray 5"	1	
2	H00607	Hex Head Screw M10x35	1	
3	H00604	Washer M10 Large	1	
4	N00620	Presser Arm	1	
5	N00603	Pin	2	
6	N00608	Presser Knob	1	
7	N00617	Upper Presser 5"	1	
8	N00613	Lower Presser 5"	1	
9	N00615	Food Tray 5"	1	
10	H00605	O-ring Seal 14.75 mm, OD	1	
11	N00625	Food Tray Attachment M16x30, M22x1	1	
12		Presser Arm Shaft	1	
13	H00606	Acorn Nut M10	1	
14	N00609	Bolt	1	
15	N00610	Leg	4	
16		Bottom Board	1	
17	N01262	Board	1	
18	H00021	Cap Screw, Hex Hd Black Oxide	1	
19	H00014	Flat M6 Washer - Zn	1	
20	H00621	Hex Head Bolt M6x90	1	
21	H00020	Hex Nut, M6	1	
22	N01263	Push Bar	1	
23	H00602	E-Clip NOM. DIA. 10 mm	1	
24	H02075	Spring	1	
25	H00622	Thick Hex Nut M16x2	1	
26	H00624	Washer M16	1	
27		Shaft Handle	1	
28	N00611	Handle	1	
29	N01264	Gear	1	
30		Gear Set Screw	1	
31		Body	1	
32	910265	Globe Logo (Not Illustrated)	1	