

Parts Catalog



GPGDUE10-C

Bistro Series Electric Sandwich Grill Model: GPGDUE10-C

5/5/2023 Rev. D

IMPORTANT!

TO EXPEDITE SHIPMENT OF PARTS, ALWAYS SPECIFY MODEL, REV,
PART NUMBER, AND SERIAL NUMBER OF UNIT.

GLOBE FOOD EQUIPMENT COMPANY

2215 East River Road
Dayton, Ohio 45439

Parts Department

Toll Free 1-800-745-6238 · Fax (937) 290-0585

E-Mail: info@globefoodequip.com

Website: www.globefoodequip.com

Not for resale

Table of Contents

Description

Page

GPGDUE10-C 10 Inch Double Grill Components (Grooved)

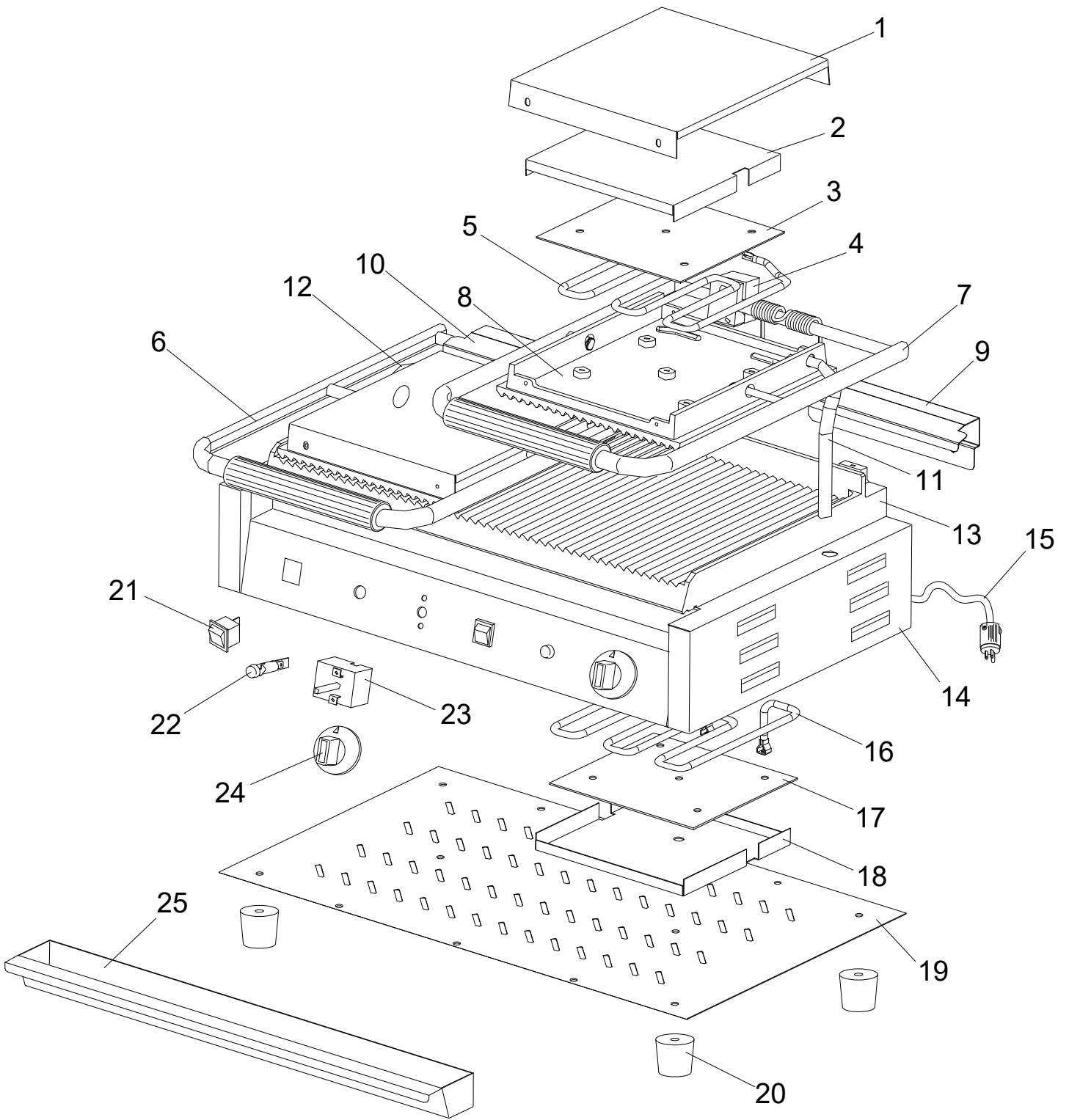
4

GPGDUE10-C Wiring Diagram

6



GPGDUE10-C 10 Inch Double Grill Components (Grooved)





GPGDUE10-C 10 Inch Double Grill Components (Grooved)

Item	Part Number	Description	Qty	Serial Number
1	U00720	Top Cover	2	
2	U00733	Upper/Lower Insulating Plate	2	
3	U00721	Upper/Lower Mica Plate	2	
4	U01021005138	Tension Bracket	2	
5	U03061225060	Upper Element	2	
6	U00722	Left Handle Assembly	1	
7	U00723	Right Handle Assembly	1	
8	U00724	Upper Right Plate (Grooved)	1	
8	U00725	Upper Left Plate (Grooved)	1	
9	U00728	Right Back Plate	1	
10	U00729	Left Back Plate	1	
11	U01021005045	Right Wiring Cover	1	
12	U00701	Left Wiring Cover	1	
13	U00731	Lower Plate (Grooved)	1	
14	U00732	Body Assembly	1	
15	U03021205010	Powercord (220V)	1	
16	U03061225061	Lower Element	2	
17	U00721	Upper/Lower Mica Plate	2	
18	U00733	Upper/Lower Insulating Plate	2	
19		Base Plate	1	
20	U02121165004	Foot Kit	4	
21	U03041215027	Power Switch	2	
22	U03091240006	Indicator Light	2	
23	U03051220022	Thermostat	2	
24	U02101155019	Temperature Knob	1	
25	U01051027353	Drip Tray	1	
26	U01492	Overlay (Not Shown)	1	
27	U00579	Strain Relief (Not Shown)	1	



GPGDUE10-C Wiring Diagram

