

# Parts Catalog



**GSM130**

## **Spiral Mixer**

**Model: GSM130**

3/25/2019 Rev. D

IMPORTANT!

TO EXPEDITE SHIPMENT OF PARTS, ALWAYS SPECIFY MODEL, REV,  
PART NUMBER, AND SERIAL NUMBER OF UNIT.

## **GLOBE FOOD EQUIPMENT COMPANY**

2215 East River Road  
Dayton, Ohio 45439

### **Parts Department**

Toll Free 1-800-745-6238 · Fax (937) 290-0585

E-Mail: [info@globefoodequip.com](mailto:info@globefoodequip.com)

Website: [www.globefoodequip.com](http://www.globefoodequip.com)

Not for resale

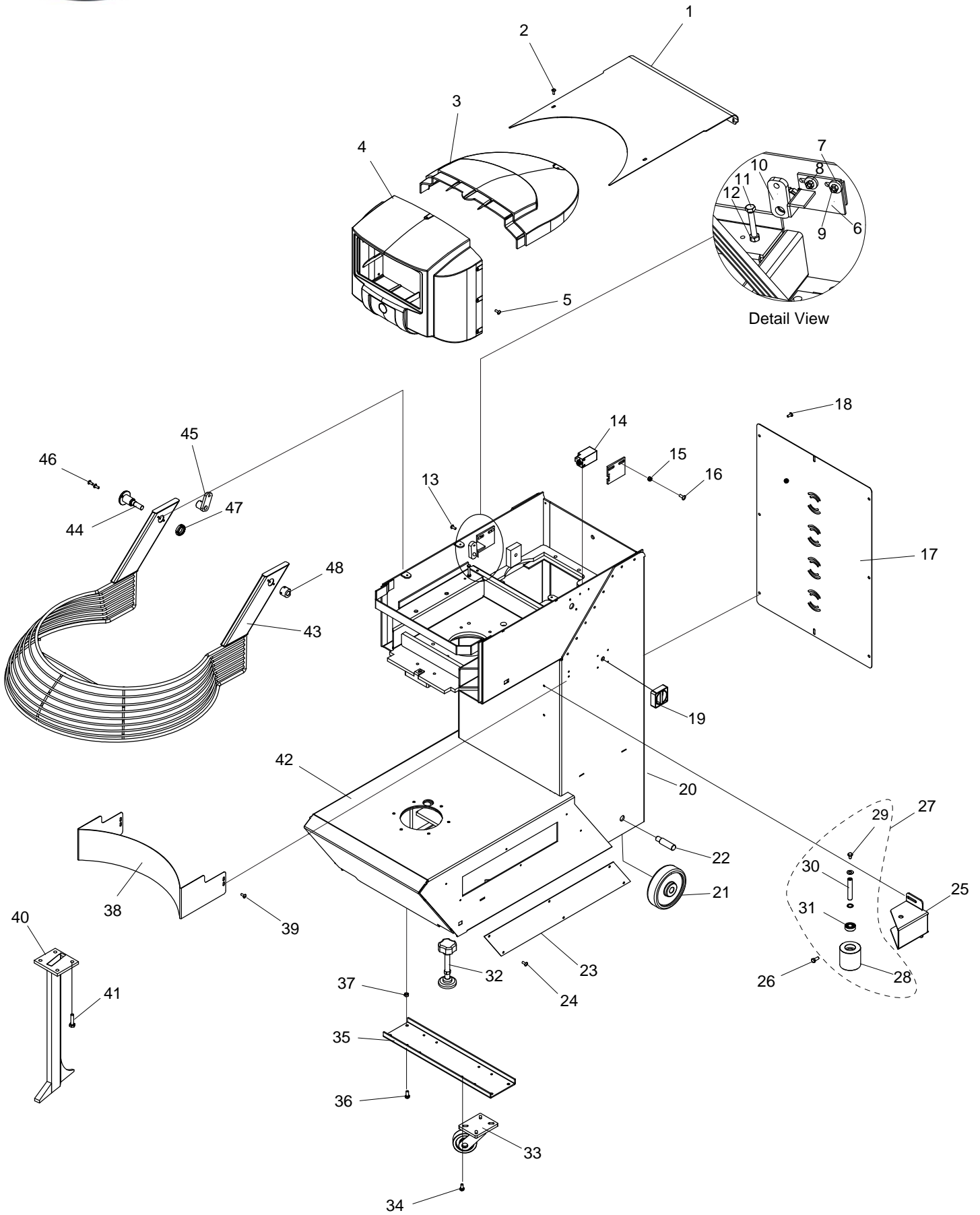


# Table of Contents

Description	Page
GSM130 Spiral Base Components	4
GSM130 Control Panel Components	6
GSM130 Spiral Components	8
GSM130 Bowl Components	10
GSM130 Electrical Components	12
GSM130 Wiring Diagram	14
GSM130 Wiring Diagram	15



# GSM130 Spiral Base Components



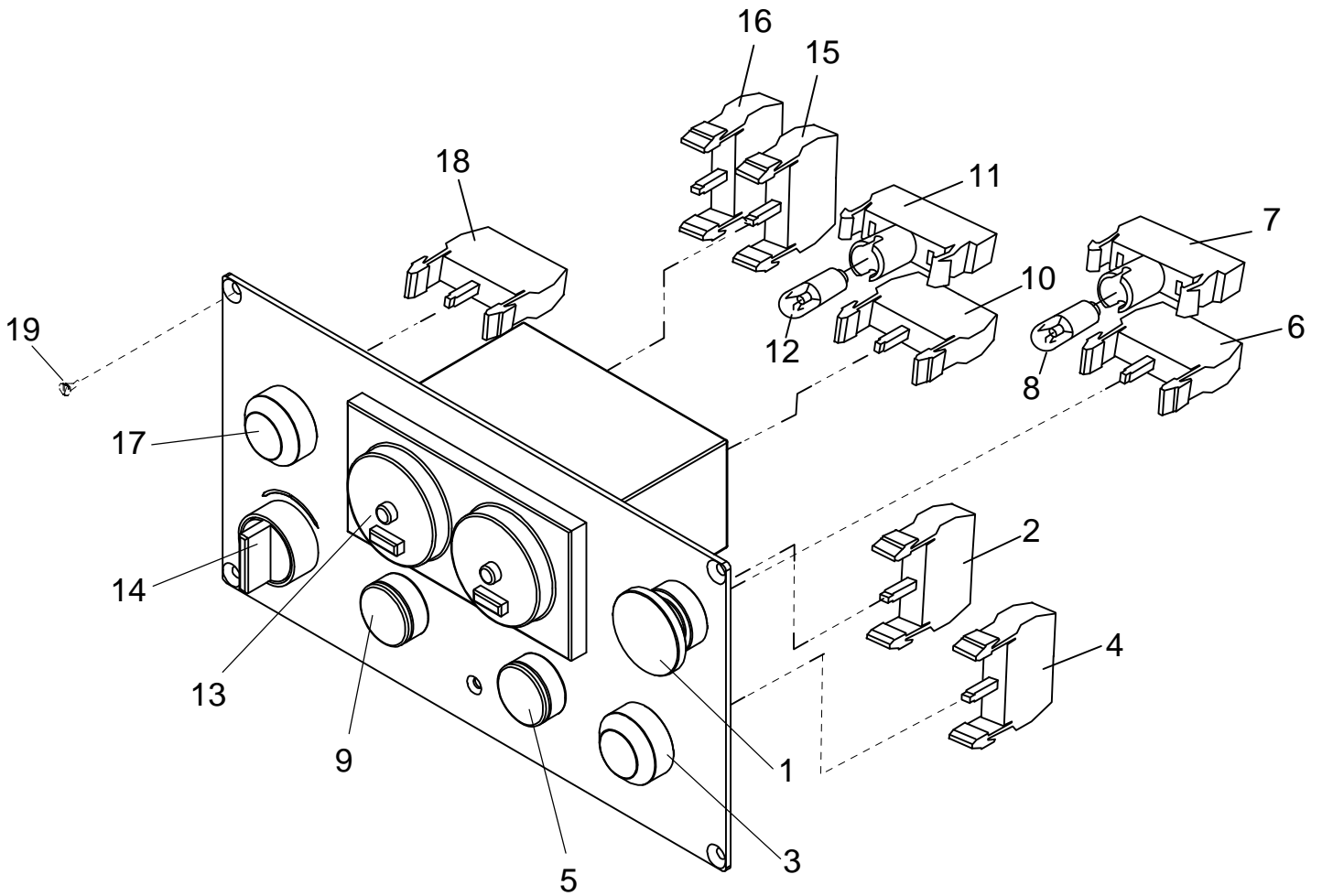


## GSM130 Spiral Base Components

Item	Part Number	Description	Qty	Serial Number
1		Top Cover	1	
2	H01014	Screw M6x16mm Oval Head	2	
3		Back Cover	1	
4		Front Cover	1	
5	H01014	Screw M6x16mm Oval Head	8	
6		Bowl Guard Bracket	1	
7	H01460	Washer M20	1	
8	H01458	Nut, Flange	1	
9	H01459	Screw M6x25mm Cap Slot	1	
10		Bowl Guard Block	1	
11	H01457	Screw M10x80mm Hex Hd	1	
12	H01029	Hex Nut M10-1.5, OD-17, HT-8mm, Class 8, Zn	1	
13	H01014	Screw M6x16mm Oval Head	2	
14	P00975	Microswitch	1	
15	H01014	Screw M6x16mm Oval Head	2	
16	H01027	Nut M6	2	
17		Back Panel	1	
18	H01014	Screw M6x16mm Oval Head	10	
19	P00988	Main Power Switch	1	
20	P01004	Belt Tension Knob (Not Shown)	2	
21	P00950	Rear Wheel	2	
22	P00954	Back Wheel Pin	2	
23		Base Access Panel	2	
24	H01014	Screw M6x16mm Oval Head	12	
25		Roller Support	2	
26		Screw M8 x 20mm Hex Socket, Cheese Head	4	
27	P01092	Roller Assembly (Incl. items 28-31)	1	
28		Roller	2	
29	H01015	Screw M8x12mm Hex Head	4	
30		Roller Pin	2	
31	P00969	Bearing	4	
32	P01009	Feet	2	
33	P00956	Front Wheel	2	
34	H01016	Screw M8x16mm Hex Head	8	
35		Front Wheel Support	1	
36		Screw M8 x 20mm Hex Socket, Cheese Head	4	
37	H01028	Nut M8	4	
38		Rear Bowl Guard	1	
39	H01014	Screw M6x16mm Oval Head	4	
40	P00945	Central Rod	1	
41	H01022	Screw M10x40mm Hex Head	4	
42		Spiral Base	1	
43	P00925	Bowl Guard	1	
44		Bowl Guard Pin	2	
45		Bowl Guard Lever	1	
46	H01014	Screw M6x16mm Oval Head	4	
47		Bearing Locknut	2	
48		Cam	1	



# GSM130 Control Panel Components



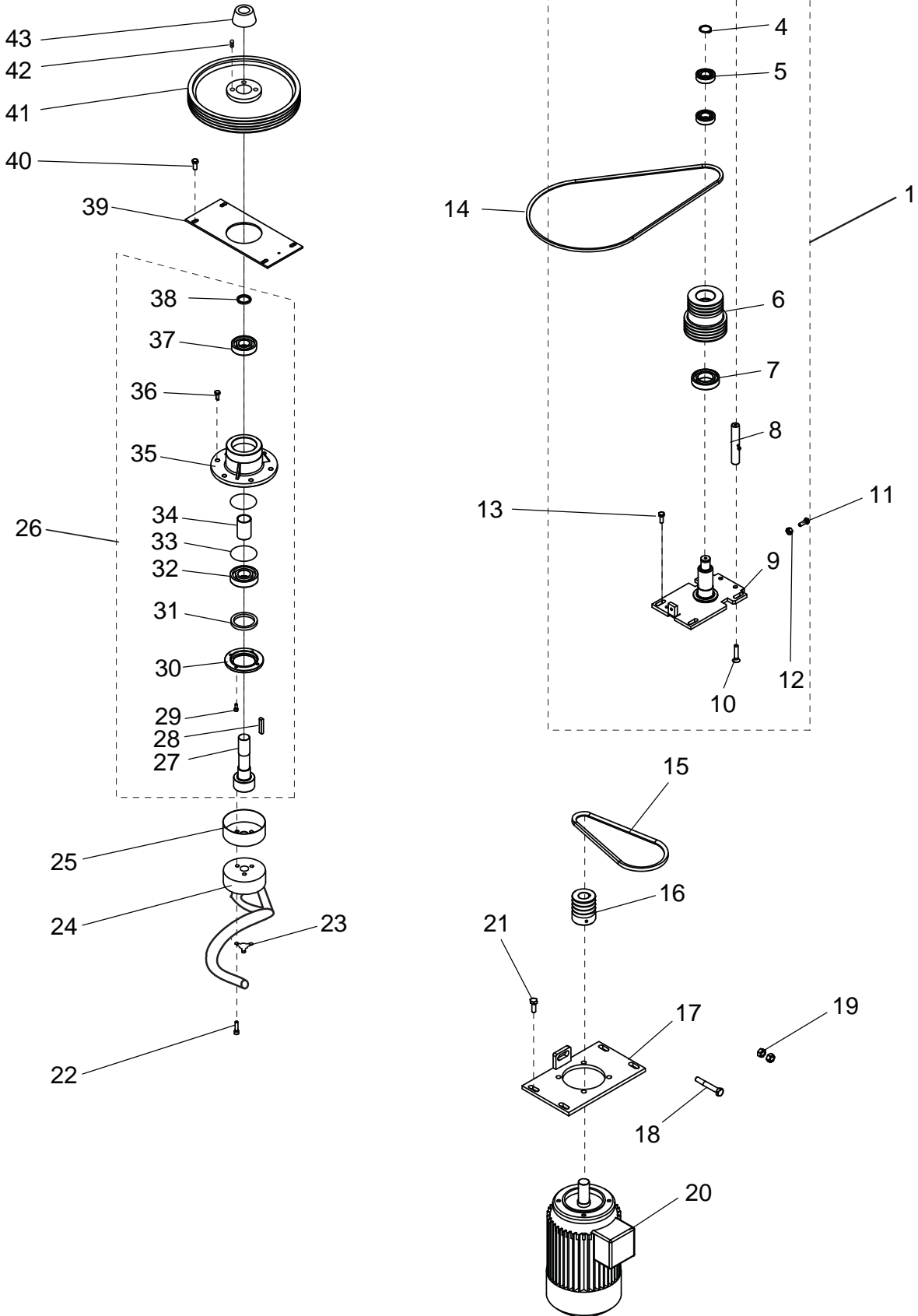


## GSM130 Control Panel Components

Item	Part Number	Description	Qty	Serial Number
1	P00995	Emergency Stop Button (EM) (Incl. item 2)	1	
2		Contact Block	1	
3	P00994	Stop Button (SB4) (Incl. item 4)	1	
4		Contact Block	1	
5	P00992	Speed 1 Button (SB1) (Incl. items 6-8)	1	
6		Contact Block	1	
7		Lamp Holder	1	
8		LED, White 24V	1	
9	P00992	Speed 1 Button (SB1)	1	
10		Contact Block (Incl. items 10-12)	1	
11		Lamp Holder	1	
12		LED, White 24V	1	
13	P00991	Timer Assembly (TM1)	1	
14	P00990	Reverse Button (SA1) (Incl. items 15-16)	1	
15		Contact Block	1	
16		Contact Block	1	
17	P00989	Bowl Jog Button (SB3) (Incl. item 18)	1	
18		Contact Block	1	
19	H01013	Screw M5 x 12mm Countersunk Head	5	
20	P01939	Connector, Green (Not Shown)	1	



# GSM130 Spiral Components



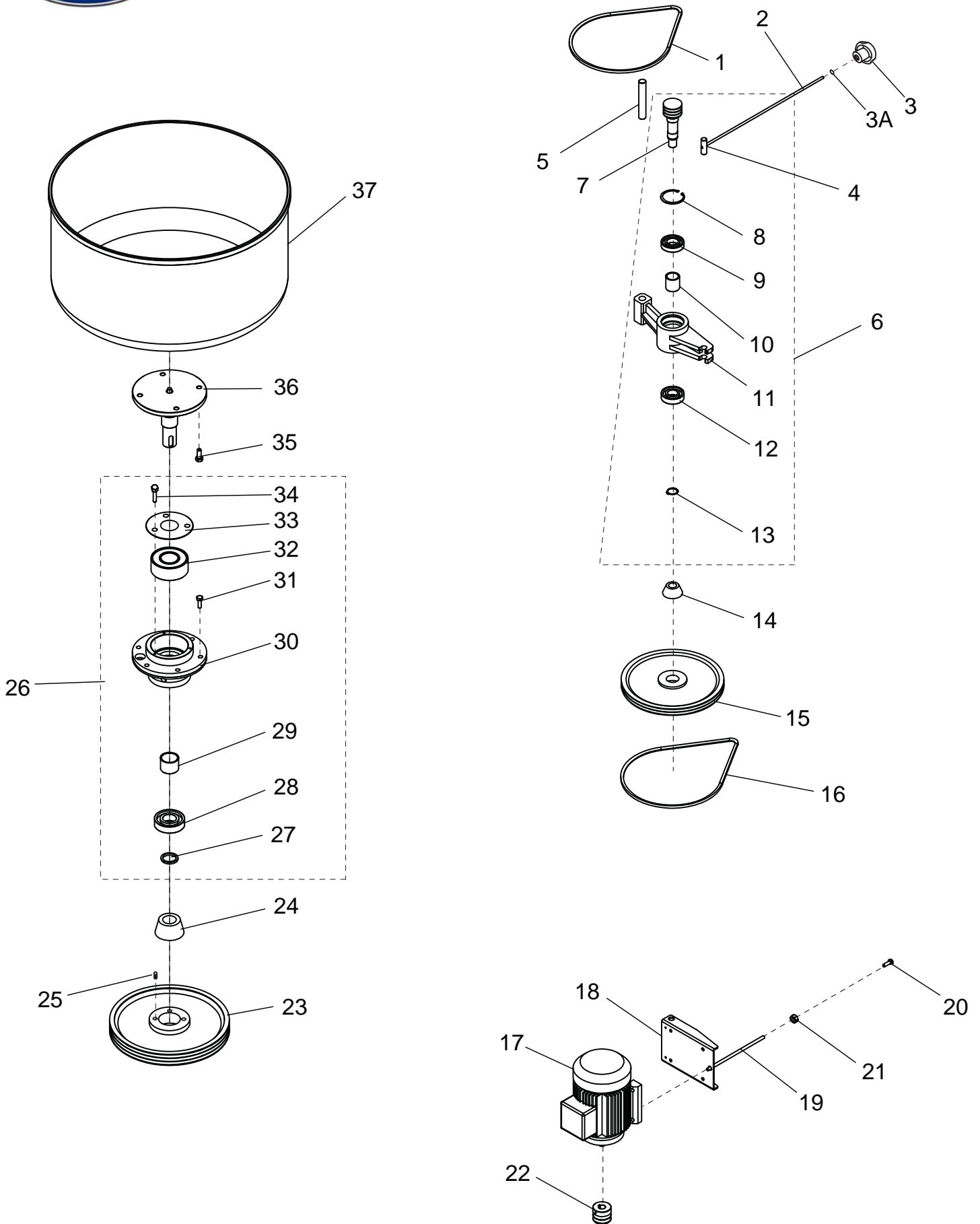


## GSM130 Spiral Components

Item	Part Number	Description	Qty	Serial Number
1	P01057	Upper Return Pulley Assembly (Incl. items 2-12)	1	
2		Plate Containment	1	
3	H01026	Screw M12 x 60mm Hex Socket, Countersunk Head	4	
4		Retaining Ring	1	
5	P00968	Bearing	2	
6		Upper Return Pulley	1	
7	P00962	Bearing	2	
8		Bracket Support	3	
9		Return Pulley Bracket	1	
10	H01026	Screw M12 x 60mm Hex Socket, Countersunk Head	3	
11	H01021	Screw M10 x 30mm Hex Head	1	
12	H01029	Hex Nut M10-1.5, OD-17, HT-8mm, Class 8, Zn	1	
13	H01021	Screw M10 x 30mm Hex Head	4	
14	P00959	Spiral Transmission Belt	4	
15	P00961	Return Motor Transmission Belt	4	
16	P00978	Spiral Motor Pulley	1	
17		Plate for Spiral Motor Support	1	
18	H01025	Screw M12 x 80 Hex Head	1	
19	H01030	Nuts M12	2	
20	P00930	Spiral Motor (M2)	1	->2017MN0018
20	P01950	Spiral Motor (M2)	1	
21	H01021	Screw M10 x 30mm Hex Head	8	
22	H02066	Screw M10-1.5x66mm Hex Head	3	
23	P01489	Spiral Support Cover	1	
24	P00921	Spiral Hook	1	
25		Spiral Bowl	1	
26	P01058	Spiral Shaft Assembly (Incl. items 27-38)	1	
27		Spiral Shaft	1	
28		Key 40 x 112 x 8mm	1	
29		Screw M8 x 20mm Hex Socket, Cheese Head	4	
30		Flange	1	
31		Oil Retaining Ring	1	
32	P00964	Bearing	1	
33		Ring	2	
34		Spacer	1	
35		Spiral Support	1	
36		Screw M10 x 25mm Hex Head	6	
37	P00963	Bearing	1	
38		Spiral Pulley Spacer	1	
39		Spiral Support Blocking Plate	1	
40	H01023	Screw M12 x 30mm Hex Head	4	
41		Spiral Pulley	1	
42	H01059	Set Screw M10 x 30mm	3	
43		Spiral Pulley Support	1	



# GSM130 Bowl Components



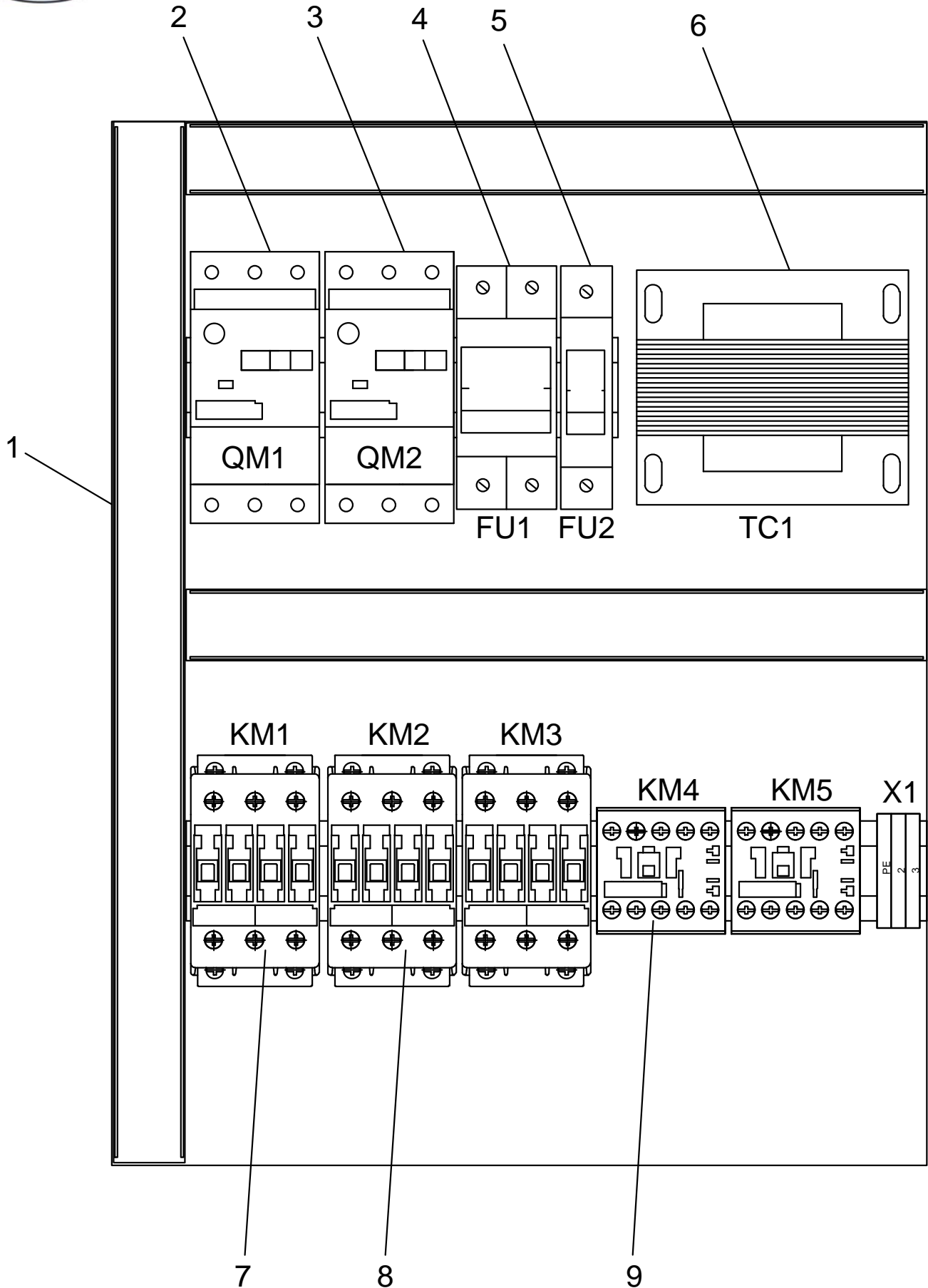


## GSM130 Bowl Components

Item	Part Number	Description	Qty	Serial Number
1	P00957	Lower Return Belt	3	
2	P01006	Rod	1	
3	P01004	Belt Tension Knob	2	
3A	P01995	Washer, Nylon	1	
4	P01007	Return Tie Pin	1	
5	P00984	Lower Return Shaft	1	
6	P01063	Return Shaft Assembly (Incl. items 7-13)	1	
7		Shaft with Pulley	1	
8		Retaining Ring	1	
9	P00967	Bearing	1	
10		Spacer	1	
11		Return Shaft Support	1	
12	P00966	Bearing	1	
13		Retaining Ring	2	
14		Central Return Pulley Support	1	
15		Return Pulley	1	
16	P00957	Lower Return Belt	2	
17	P00929	Bowl Motor (M2)	1	
17	P01950	Spiral Motor (M2)	1	2017MM0019 ->
18		Bowl Motor Support	1	
19	P01005	Bowl Motor Rod	1	
20	H01018	Screw M8 x 25mm Hex Head	4	
21	H01029	Hex Nut M10-1.5, OD-17, HT-8mm, Class 8, Zn	1	
22	P00977	Bowl Motor Pulley	1	
23		Bowl Pulley	1	
24		Bowl Pulley Support	1	
25	H01059	Set Screw M10 x 30mm	3	
26	P01065	Bowl Support Assembly (Incl. items 27-34)	1	
27		Bowl Pulley Spacer	1	
28	P00963	Bearing	1	
29		Spacer	1	
30		Bowl Support	1	
31	H01021	Screw M10 x 30mm Hex Head	6	
32	P00965	Bearing	1	
33		Bearing Cover	1	
34	H01064	Screw M10 x 20mm Hex Head	3	
35	H01023	Screw M12 x 30mm Hex Head	4	
36	P01002	Bowl Support Shaft	1	
37	P00923	Bowl	1	



# GSM130 Electrical Components





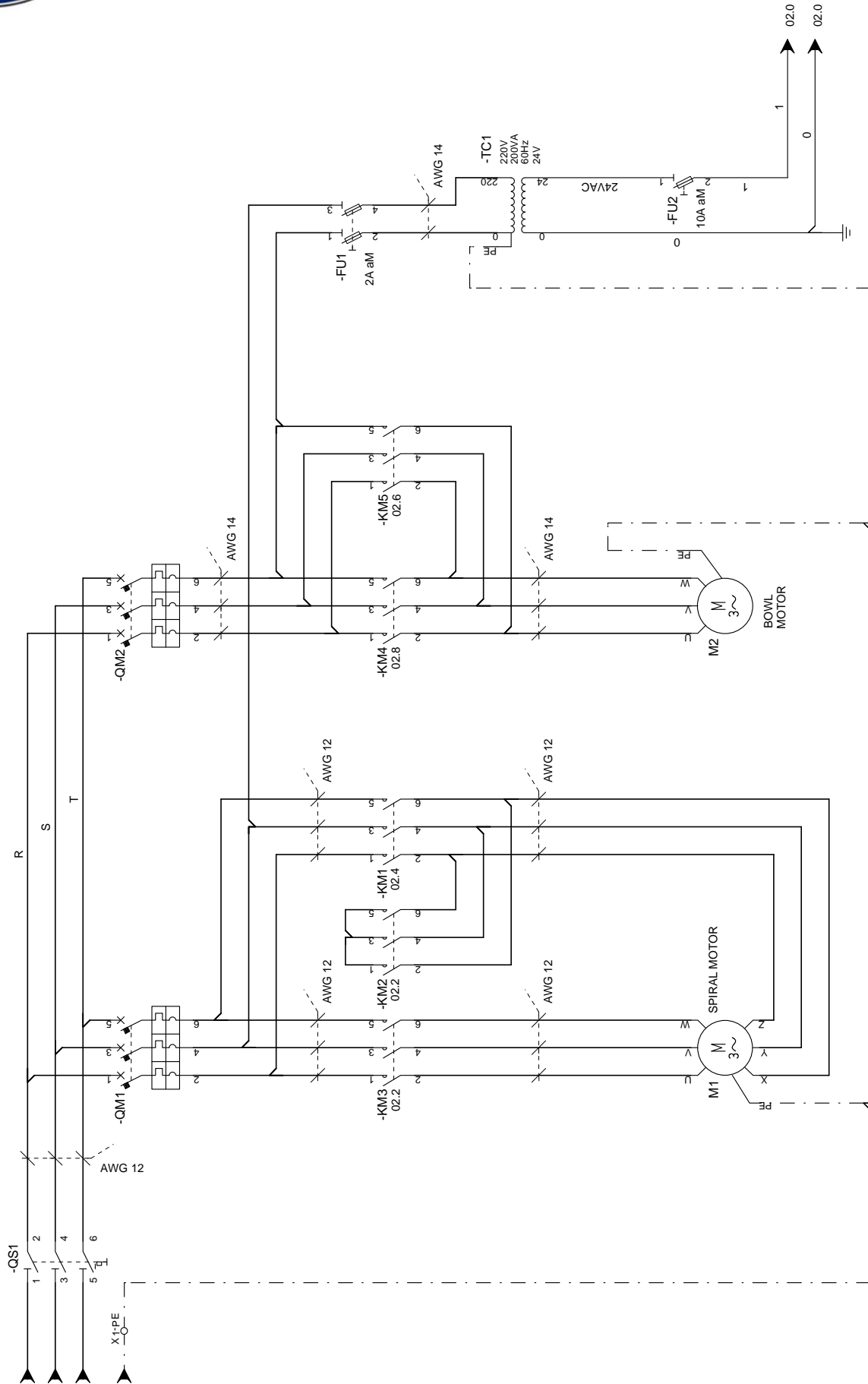
## GSM130 Electrical Components

---

Item	Part Number	Description	Qty	Serial Number
1	P01066	Electrical System	1	
2	P01034	Circuit Breaker (QM1)	1	
3	P01035	Circuit Breaker (QM2)	1	
4	P01053	Bipolar Fuse Holder (FU1)	1	
5	P01054	Unipolar Fuse Holder (FU2)	1	
6	P01045	Transformer 200VA (TC1)	1	
7	P01055	Contactor (KM1)	1	
8	P01056	Contactor (KM2 & KM3)	2	
9	P01046	Contactor (KM4 & KM5)	2	
10	P01939	Connector, Green (Not Shown)	1	
11	P01490	Fuse 2A/600V (Not Shown)	1	
12	P01491	Fuse 6A/600V (Not Shown)	2	



# GSM130 Wiring Diagram





# GSM130 Wiring Diagram

