

# Parts Catalog



**GSG14D-C**

## **Electric Sandwich Grills**

**Model: GSG14D-C**

5/5/2023 Rev C

IMPORTANT!

TO EXPEDITE SHIPMENT OF PARTS, ALWAYS SPECIFY MODEL, REV,  
PART NUMBER, AND SERIAL NUMBER OF UNIT.

## **GLOBE FOOD EQUIPMENT COMPANY**

2215 East River Road  
Dayton, Ohio 45439

### **Parts Department**

Toll Free 1-800-745-6238 · Fax (937) 290-0585

E-Mail: [info@globefoodequip.com](mailto:info@globefoodequip.com)

Website: [www.globefoodequip.com](http://www.globefoodequip.com)

Not for resale



# Table of Contents

**Description**

**Page**

GSG14D-C 14 Inch Grill Components (Smooth)

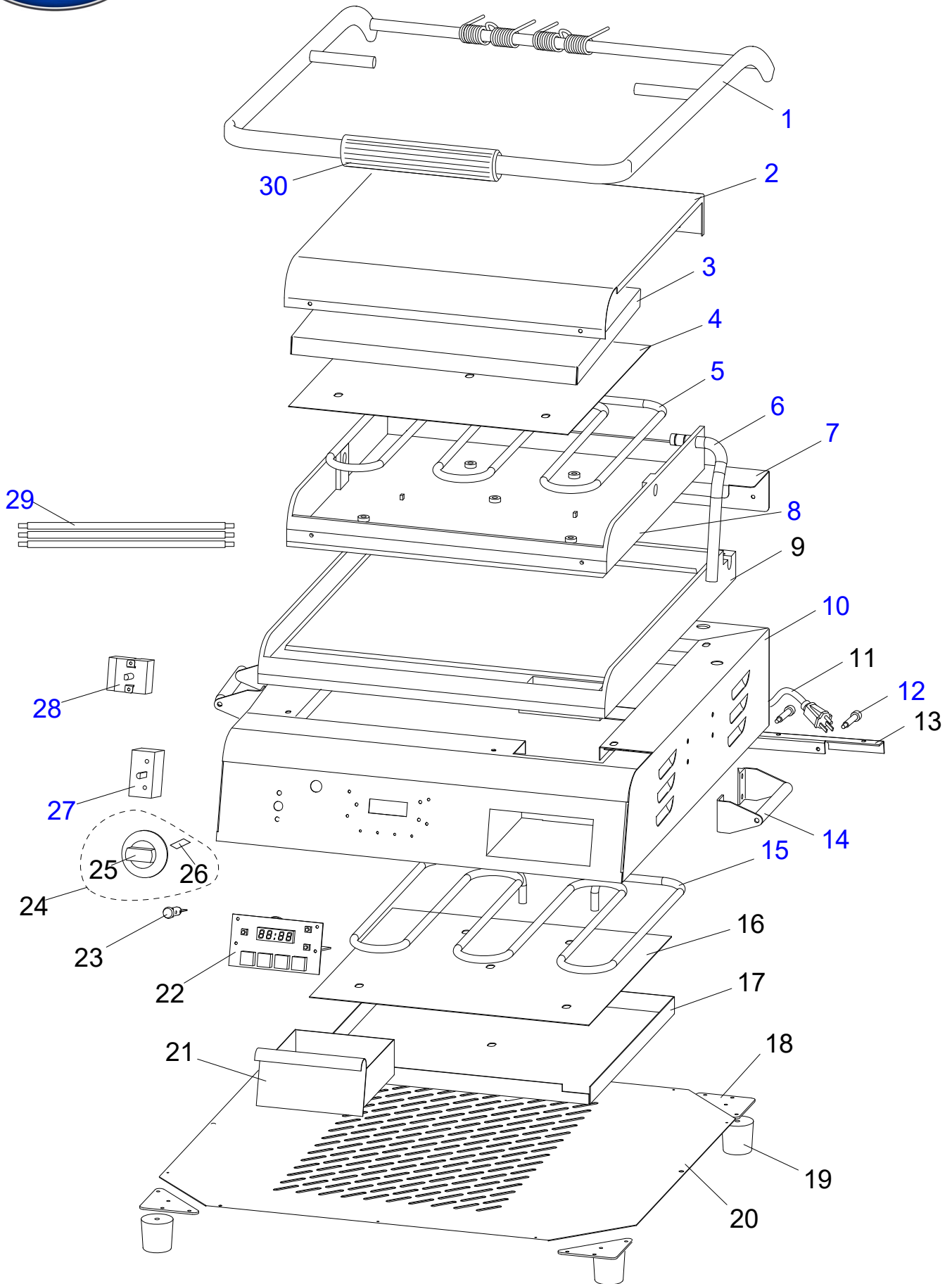
4

GSG14D-C Wiring Diagram

6



# GSG14D-C 14 Inch Grill Components (Smooth)





## **GSG14D-C 14 Inch Grill Components (Smooth)**

Item	Part Number	Description	Qty	Serial Number
1	U00681	Handle Assembly	1	
2	U00682	Top Cover	1	
3	U01071040244	Upper Insulating Plate	1	
4	U00684	Upper Press Plate	1	
5	U03061225118	Upper Element	1	
6	U01021005045	Right Wiring Cover	1	
7	U00685	Back Baffle	1	
8	U00688	Upper Plate (Smooth)	1	
9	U00692	Lower Plate (Smooth)	1	
10	U00702	Body Assembly	1	
11	U03021205010	Powercord (220V)	1	
12	U00690	Adjust Nut	2	
13	U00695	Adjustment Plate	1	
14	U00694	Side Handle Kit	2	
15	U03061225119	Lower Element	1	
16	U00696	Lower Press Plate	1	
17	U00697	Lower Insulating Plate	1	
18	U00519	Triangle Plate	4	
19	U02121165003	Foot Kit	4	
20	U01071040242	Bottom Cover	1	
21	U06051471181	Drip Tray	1	
22	U01781	Timer Assembly (220V)	1	
23	U03091240006	Indicator Light	1	
24	U01033	Knob Kit (Incl. items 25-26)	1	
25		Dial	1	
26		Spring Plate	1	
27	U03041215033	ON/OFF Switch	1	
28	U03051220022	Thermostat	1	
29	U00813	Wiring Harness	1	
30	U00035	Grip	1	
31	U01494	Overlay (Not Shown)	1	
32	U00579	Strain Relief (Not Shown)	1	



# GSG14D-C Wiring Diagram

