

# Parts Catalog



GS30T

## PRICE COMPUTING SCALE

MODELS: GS30 & GS30T

01-08-2010  
IMPORTANT!

TO EXPEDITE SHIPMENT OF PARTS, ALWAYS SPECIFY MODEL, REV,  
PART NUMBER, AND SERIAL NUMBER OF CHOPPER.

### GLOBE FOOD EQUIPMENT COMPANY

P.O. Box 3209  
Dayton, Ohio 45401

#### Parts Department

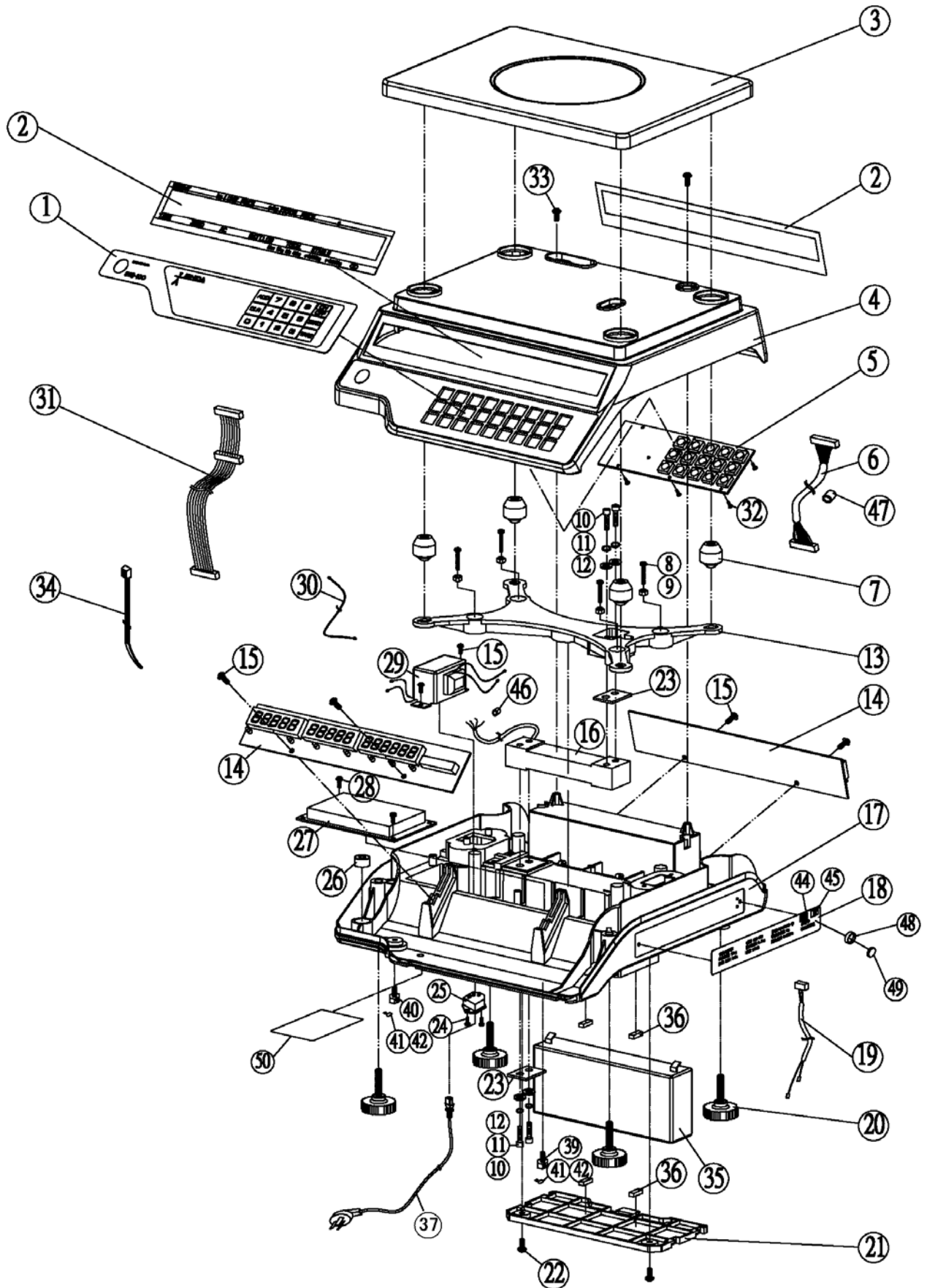
Toll Free 1-800-745-6238 • Fax (937) 290-0585

E-Mail: [globeinfo@globeslicers.com](mailto:globeinfo@globeslicers.com)

Website: [www.globeslicers.com](http://www.globeslicers.com)

Not for resale

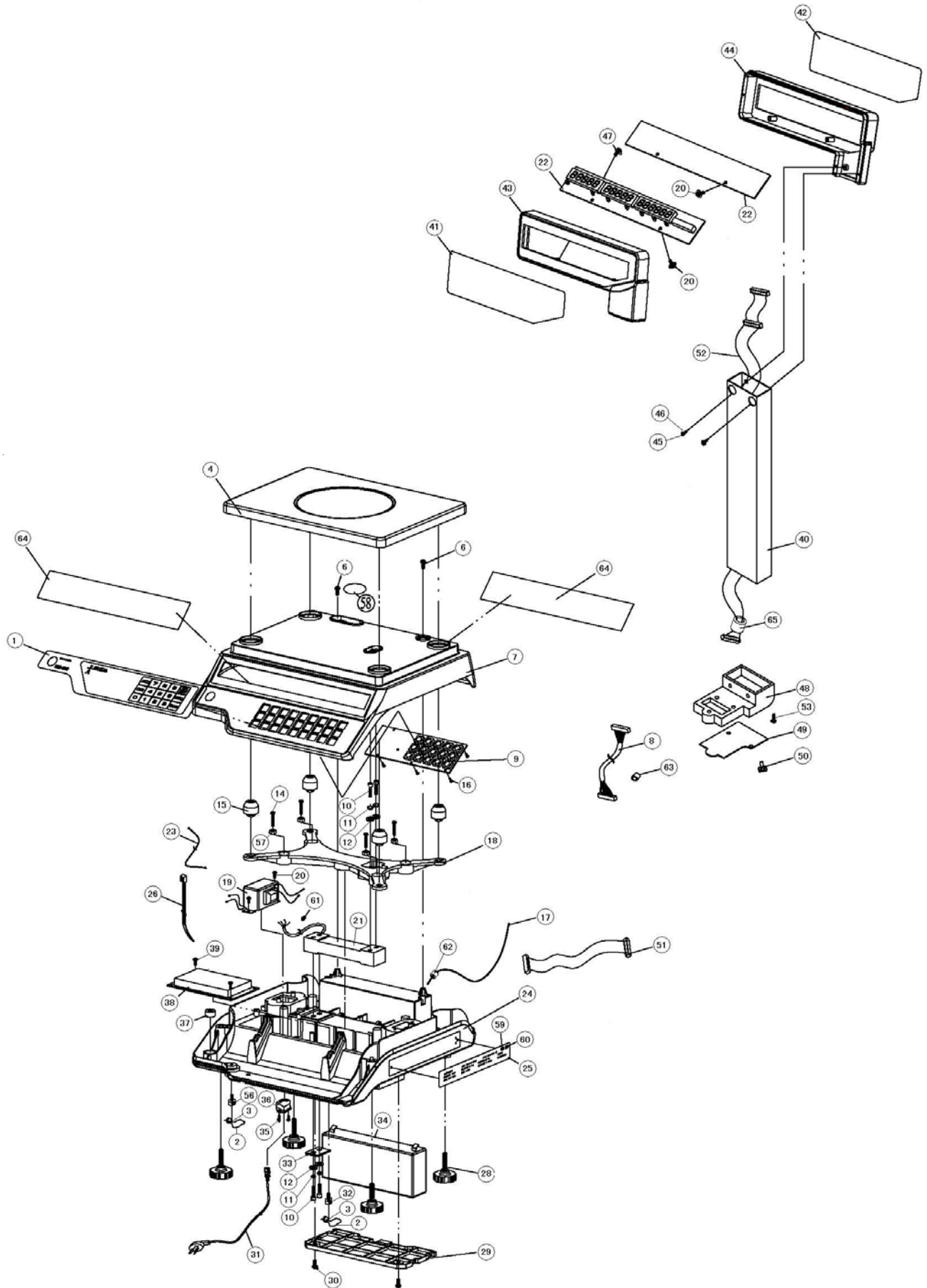
# GS30 SCALE ASSEMBLY



## GS30 SCALE PARTS LIST

| ITEM | PART NUMBER | DESCRIPTION              | QTY |
|------|-------------|--------------------------|-----|
| 1    | E680411     | KEY SHEET                | 1   |
| 2    | E680600     | SHEET, DISPLAY           | 2   |
| 3    | E256809     | PLATTER                  | 1   |
| 4    | E429406     | CASE                     | 1   |
| 5    | E281800     | KEY, GS30/GS30T          | 1   |
| 6    | E247017     | HARNESS, KEY - S2        | 1   |
| 7    | E001621     | PLATTER SUPPORT - RUBBER | 4   |
| 8    | E017201     | SCREW, M4X25             | 4   |
| 9    | E082301     | NUT, M4                  | 4   |
| 10   | E016909     | SCREW                    | 4   |
| 11   | E020801     | SPRING WASHER            | 4   |
| 12   | E017003     | WASHER, M6               | 4   |
| 13   | E255124     | PLATTER SUPPORT          | 1   |
| 14   | E281423     | DISPLAY                  | 2   |
| 15   | E013004     | SCREW, M4X10             | 11  |
| 16   | E249002     | LOAD CELL                | 1   |
| 17   | E429311     | BASE                     | 1   |
| 18   | E680703     | DATA PLATE               | 1   |
| 19   | E252509     | HARNESS, BATTERY - S3    | 1   |
| 20   | E002515     | LEVELING FOOT            | 4   |
| 21   | E429500     | COVER, BATTERY           | 1   |
| 22   | E024800     | SEAL, WIRE - F1          | 4   |
| 23   | E257609     | SEAL WASHER              | 2   |
| 24   | E016203     | SCREW                    | 2   |
| 25   | E282008     | CONNECTOR, INLET         | 1   |
| 26   | E572705     | LEVEL UNIT               | 1   |
| 27   | E631103     | POWER CIRCUIT BOARD      | 1   |
| 28   | E012308     | SCREW                    | 2   |
| 29   | E528402     | TRANSFORMER              | 1   |
| 30   | E249501     | HARNESS, GND - S2        | 1   |
| 31   | E248306     | HARNESS, DISPLAY - S3    | 1   |
| 32   | E282901     | SCREW, M2X4.5            | 8   |
| 33   | E182108     | SCREW, M4X12             | 2   |
| 34   | E014500     | CABLE TIE                | 5   |
| 35   | E133100     | STORAGE BATTERY          | 1   |
| 36   | E031901     | BATTERY CUSHION          | 4   |
| 37   | E333501     | POWER CORD               | 1   |
| 39   | E022701     | SEAL SCREW, M4           | 1   |
| 40   | E048600     | SCREW, SEAL              | 1   |
| 41   | E024800     | SEAL, WIRE - F1          | 2   |
| 42   | E024903     | SEAL LEAD                | 2   |
| 46   | E073009     | FERRITE CORE             | 1   |

# GS30T SCALE ASSEMBLY



# GS30T SCALE PARTS LIST

| ITEM | PART CODE               | DESCRIPTION                | QTY |
|------|-------------------------|----------------------------|-----|
| 1    | <a href="#">E680411</a> | KEY SHEET                  | 1   |
| 2    | E024800                 | SEAL, WIRE - F1            | 2   |
| 3    | E024903                 | SEAL LEAD                  | 2   |
| 4    | <a href="#">E256809</a> | PLATTER                    | 1   |
| 6    | E182108                 | SCREW, M4X12               | 2   |
| 7    | E429406                 | CASE                       | 1   |
| 8    | <a href="#">E247017</a> | HARNESS, KEY - S2          | 1   |
| 9    | <a href="#">E281800</a> | KEY, GS30/GS30T            | 1   |
| 10   | E016909                 | SCREW                      | 4   |
| 11   | E020801                 | SPRING WASHER              | 4   |
| 12   | E017003                 | WASHER, M6                 | 4   |
| 14   | E017201                 | SCREW, M4X25               | 4   |
| 15   | E001621                 | PLATTER SUPPORT - RUBBER   | 4   |
| 16   | E282901                 | SCREW, M2X4.5              | 8   |
| 17   | E367404                 | HARNESS, GND - S2          | 1   |
| 18   | E255124                 | PLATTER SUPPORT            | 1   |
| 19   | <a href="#">E528402</a> | TRANSFORMER                | 1   |
| 20   | E013004                 | SCREW, M4X10               | 6   |
| 21   | <a href="#">E249002</a> | LOAD CELL                  | 1   |
| 22   | <a href="#">E281423</a> | DISPLAY                    | 2   |
| 23   | E249501                 | HARNESS, GND - S2          | 1   |
| 24   | E429311                 | BASE                       | 1   |
| 25   | E680807                 | DATA PLATE                 | 1   |
| 26   | E014500                 | CABLE TIE                  | 3   |
| 28   | <a href="#">E002515</a> | LEVELING FOOT              | 4   |
| 29   | <a href="#">E429500</a> | COVER, BATTERY             | 1   |
| 30   | E024800                 | SEAL, WIRE - F1            | 2   |
| 31   | <a href="#">E333501</a> | POWER CORD                 | 1   |
| 32   | E022701                 | SEAL SCREW, M4             | 1   |
| 33   | E257609                 | SEAL WASHER                | 1   |
| 34   | <a href="#">E133100</a> | STORAGE BATTERY            | 1   |
| 35   | E016203                 | SCREW                      | 2   |
| 36   | E282008                 | CONNECTOR, INLET           | 1   |
| 37   | E572705                 | LEVEL UNIT                 | 1   |
| 38   | <a href="#">E631103</a> | POWER CIRCUIT BOARD        | 1   |
| 39   | E012308                 | SCREW                      | 2   |
| 40   | E286401                 | DISPLAY SUPPORT POST       | 1   |
| 41   | <a href="#">E680214</a> | DISPLAY, PANEL - FRONT     | 1   |
| 42   | <a href="#">E680318</a> | DISPLAY, PANEL - REAR      | 1   |
| 43   | E515900                 | DISPLAY CASE, FRONT        | 1   |
| 44   | E516004                 | DISPLAY CASE, REAR         | 1   |
| 45   | E012101                 | SCREW, M4X6                | 2   |
| 46   | E144407                 | WASHER, M5                 | 2   |
| 47   | E176004                 | O RING                     | 4   |
| 48   | E334800                 | BASE, DISPLAY SUPPORT POST | 1   |
| 49   | E334903                 | COVER, SUPPORT POST BASE   | 1   |
| 50   | E364309                 | UNIT LEVELING AID          | 2   |
| 51   | <a href="#">E363837</a> | HARNESS, DISPLAY C2        | 1   |
| 52   | <a href="#">E363930</a> | HARNESS, DISPLAY S3        | 1   |
| 53   | E013606                 | SCREW                      | 2   |
| 56   | E048600                 | SCREW, SEAL                | 1   |
| 57   | E082301                 | NUT, M4                    | 4   |
| 61   | E073009                 | FERRITE CORE               | 1   |
| 62   | E462401                 | FERRITE CORE               | 1   |
| 64   | <a href="#">E680515</a> | PANEL, DISPLAY             | 2   |

