

# Parts Catalog



**GPG1410-C**

## Panini Grill

**Model: GPG1410-C**

5/5/2023 Rev C

IMPORTANT!

TO EXPEDITE SHIPMENT OF PARTS, ALWAYS SPECIFY MODEL, REV,  
PART NUMBER, AND SERIAL NUMBER OF UNIT.

## **GLOBE FOOD EQUIPMENT COMPANY**

2215 East River Road  
Dayton, Ohio 45439

### **Parts Department**

Toll Free 1-800-745-6238 · Fax (937) 290-0585

E-Mail: [info@globefoodequip.com](mailto:info@globefoodequip.com)

Website: [www.globefoodequip.com](http://www.globefoodequip.com)

Not for resale

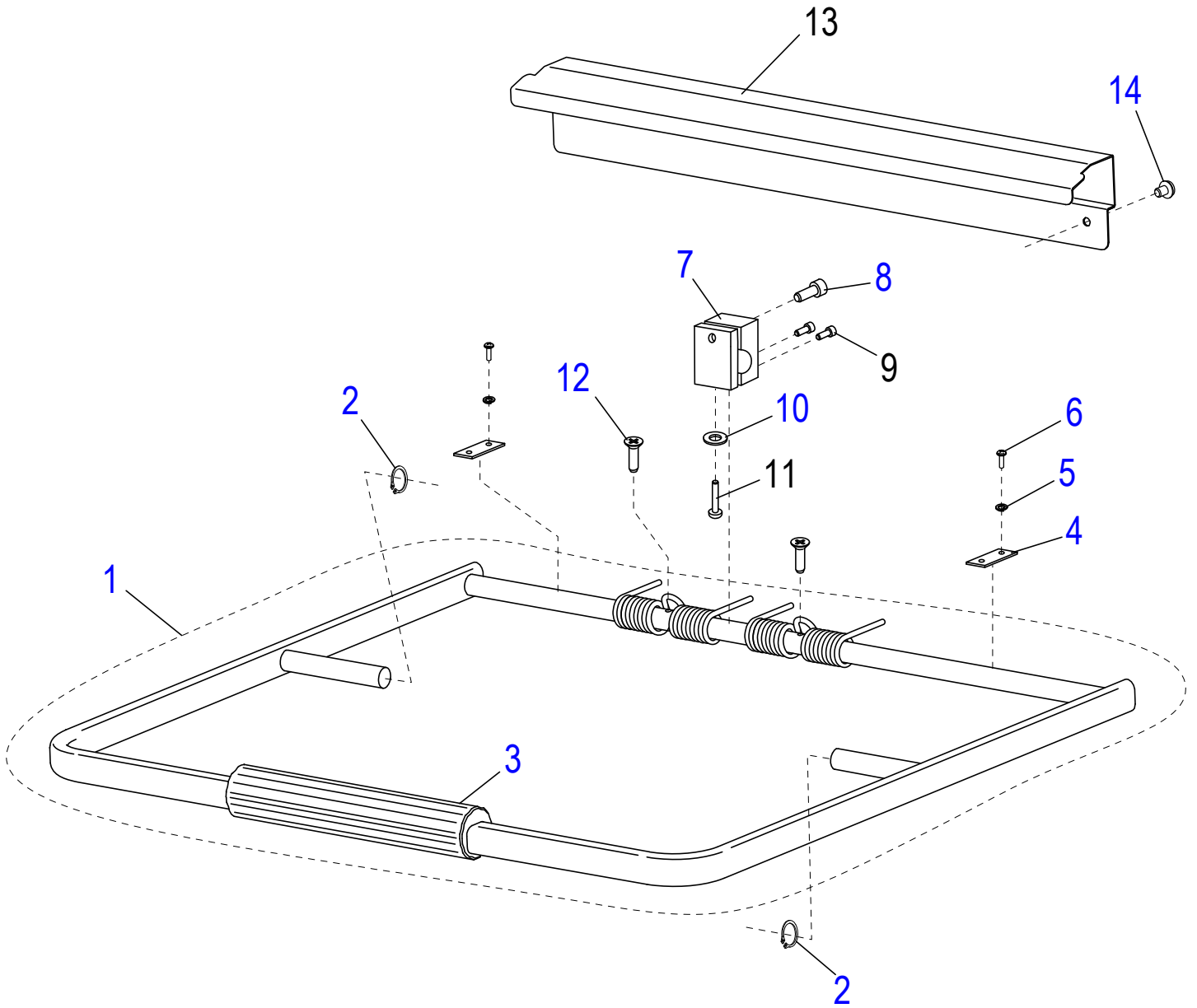


# Table of Contents

<b>Description</b>	<b>Page</b>
GPG1410-C Grill Handle Components	4
GPG1410-C Upper Grill Components	6
GPG1410-C Lower Grill Components	8
GPG1410-C Grill Electrical Components	10
GPG1410-C Wiring Diagram	12



# GPG1410-C Grill Handle Components





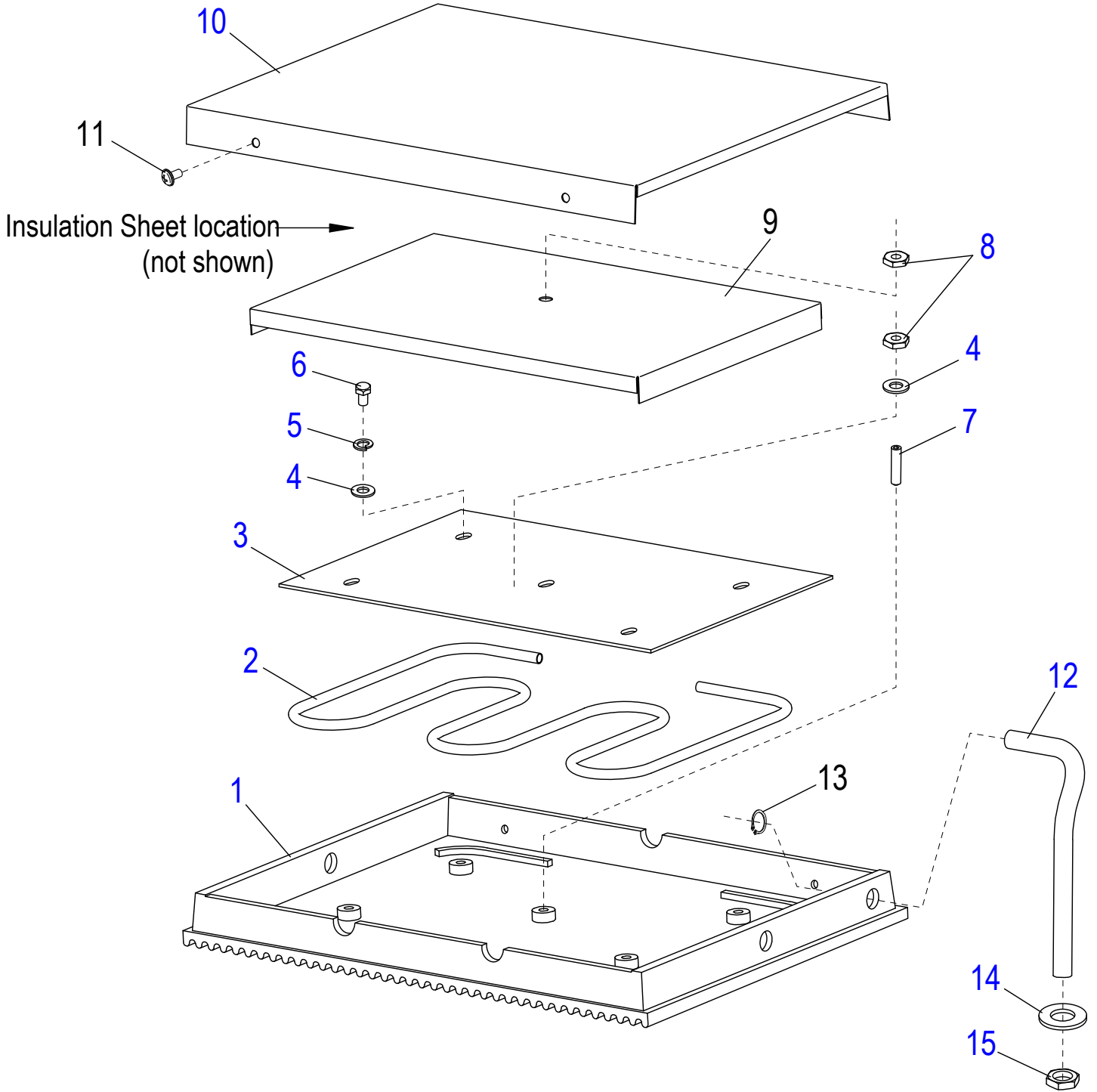
## GPG1410-C Grill Handle Components

---

Item	Part Number	Description	Qty	Serial Number
1	U00003	Handle Assembly	1	
2	U66021810016	Retaining Ring, DIN 471-M12	2	
3	U00035	Grip	1	
4	U00036	Retaining Plate	2	
5	H00011	Split Lock Washer, DIN 7980 M5 - BO	4	
6		Screw, Handle Retaining Plate	4	
7	U01021005138	Tension Bracket	1	
8	H00012	Socket Head Cap Screw M6 x 26mm - BO	1	
9	H00013	Socket Head Cap Screw M4 x 16mm - BO	2	
10	M035	Flat Washer ID 6.5 OD 12 TH 1.5 mm Zinc	1	
11	H00015	Phillips Pan Head Screw, M6 x 20mm - Zn	1	
12	X25166	Flat Hd Screw-PHH M5-0.8x16mm, Zinc	2	
13	U00006	Back Baffle	1	
14	H00024	Phillips Pan Washer Head Screw, M4 x 4mm - Zn	2	



# GPG1410-C Upper Grill Components



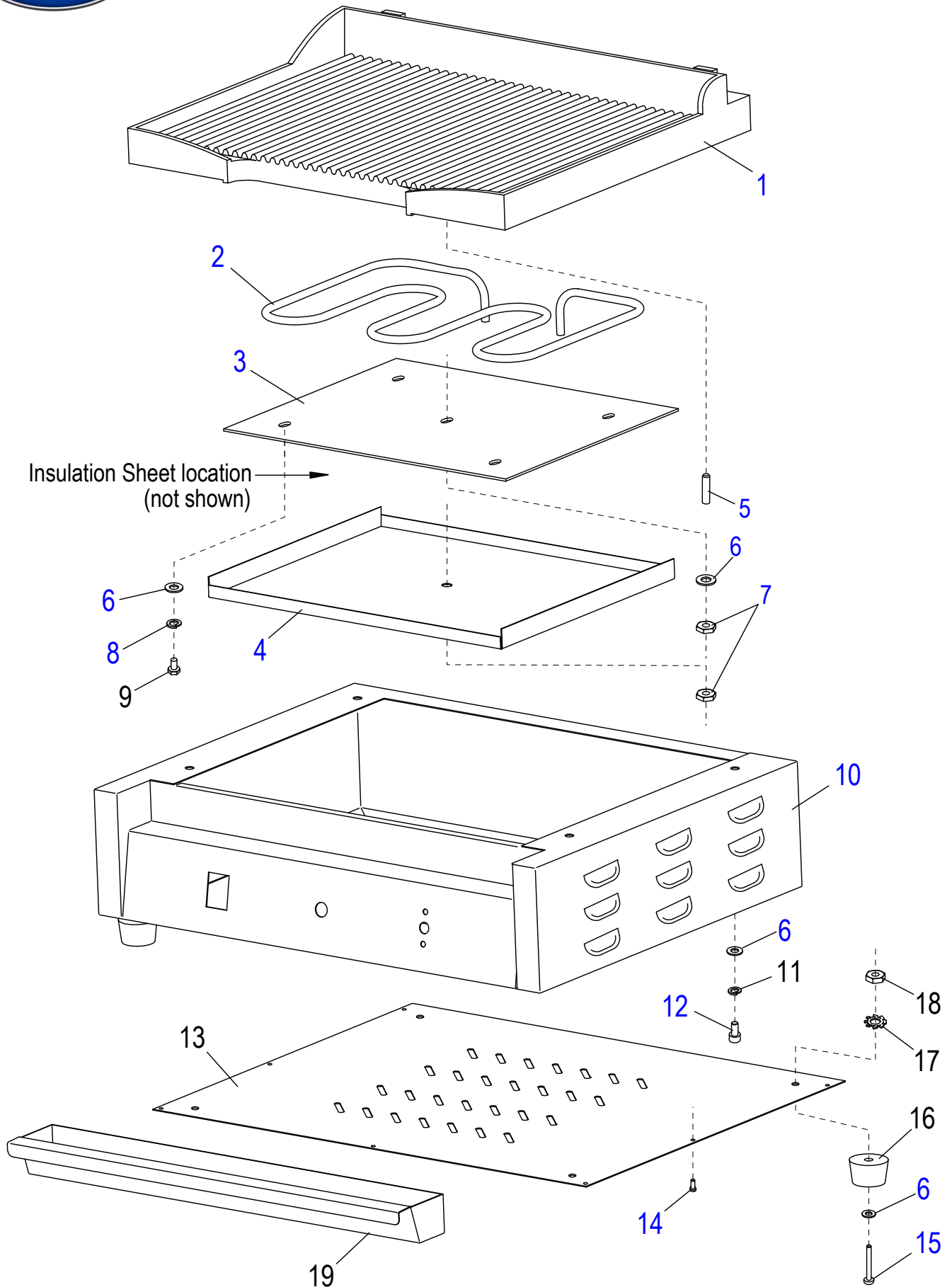


## GPG1410-C Upper Grill Components

Item	Part Number	Description	Qty	Serial Number
1	U00004	Top Plate (Grooved)	1	
2	U00002	Heating Element	1	
3		Element Mounting Plate	1	
4	M035	Flat Washer ID 6.5 OD 12 TH 1.5 mm Zinc	5	
5	H00022	Split Lock Washer, M6 - BO	4	
6	H00021	Cap Screw, Hex Hd Black Oxide	4	
7	H00019	Set Screw, Hex Drive, M6 x 26mm - Cup Pt BO	1	
8	M034	Hex Nut M6x1.0 OD 10 mm TH 5 mm Zinc	2	
9		Insulation Plate	1	
10	U00001	Top Cover	1	
11	H00018	Phillips Pan Washer Head Screw, M5 x 6mm - Zn	4	
12	U01021005046	Wireway Cover	1	
13	U66021810016	Retaining Ring, DIN 471-M12	1	
14	H00023	Flat Washer, M12 - Zn	1	
15		Jam Nut	1	



# GPG1410-C Lower Grill Components





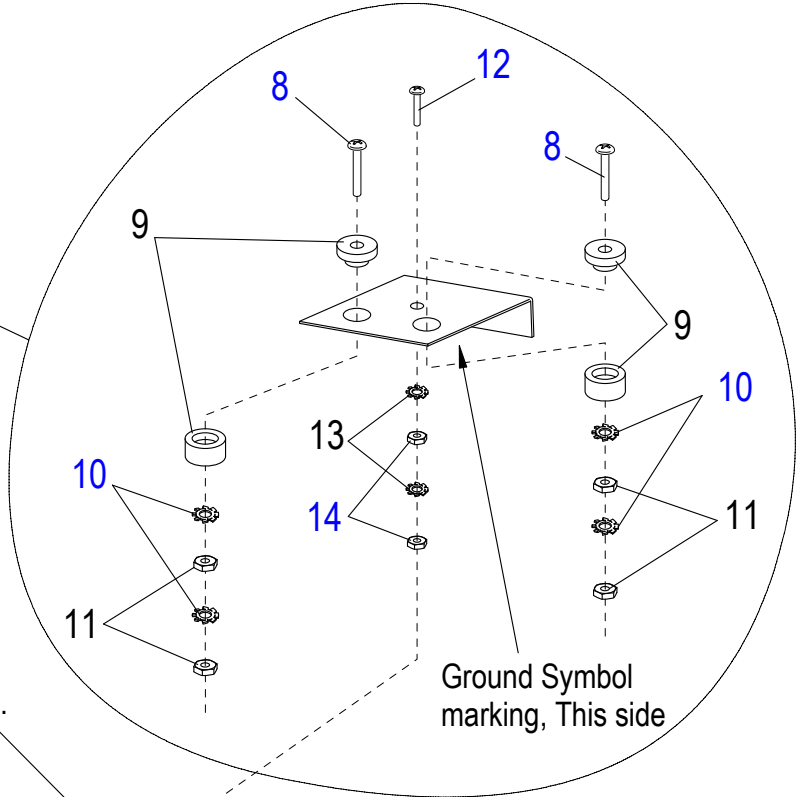
## GPG1410-C Lower Grill Components

Item	Part Number	Description	Qty	Serial Number
1	U00007	Bottom Plate (Grooved)	1	
2	U00009	Heating Element	1	
3		Element Mounting Plate	1	
4		Insulation Plate	1	
5	H00019	Set Screw, Hex Drive, M6 x 26mm - Cup Pt BO	1	
6	H00014	Flat M6 Washer - Zn	13	
7	M034	Hex Nut M6x1.0 OD 10 mm TH 5 mm Zinc	2	
8	H00022	Split Lock Washer, M6 - BO	4	
9	H00021	Cap Screw, Hex Hd Black Oxide	4	
10		Plate	1	
11	X08008	Washer, Spring M6, ID-6MM, OD-10MM, THICK-1.5MM	4	
12	H00025	Cap Screw, Socket Head, M6 x 8mm - BO	4	
13	U00010	Bottom Cover	1	
14		Cover Mounting Screw	8	
15	H00026	Phillips Pan Head Screw, M5 x 20mm - Zn	4	
16	U02121165004	Foot Kit	4	
17	H00027	External Serrated Lock Washer, M5 - Zn	4	
18	X30186	Hex Nut M5-0.8 OD-8, TH-4mm, Zinc	4	
19	U00041	Drip Tray	1	
20	U01496	Overlay (Not Shown)	1	



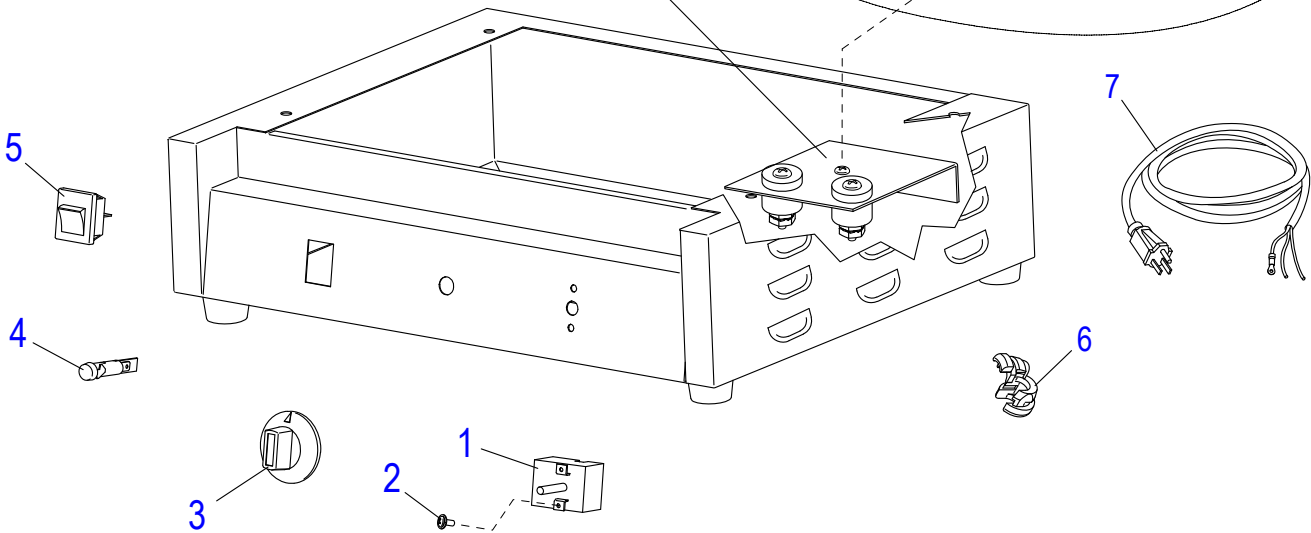
# GPG1410-C Grill Electrical Components

Exploded view of electrical connection hardware.



Note: Electrical connection tab is part of enclosure assembly.

Ground Symbol marking, This side





## GPG1410-C Grill Electrical Components

Item	Part Number	Description	Qty	Serial Number
1	U03051220022	Thermostat	1	
2	H00024	Phillips Pan Washer Head Screw, M4 x 4mm - Zn	2	
3	U02101155019	Temperature Knob	1	
4	U03091240006	Indicator Light	1	
5	U03041215027	Power Switch	1	
6	U00579	Strain Relief	1	
7	U03021205010	Powercord (220V)	1	
8	H00030	Phillips Pan Head Screw, M5 x 30mm - Zn	2	
9		Insulator (2 piece)	2	
10	H00027	External Serrated Lock Washer, M5 - Zn	4	
11	X30186	Hex Nut M5-0.8 OD-8, TH-4mm, Zinc	4	
12	H00031	Phillips Pan Head Screw, M4 x 16mm - Zn	1	
13	H00033	Washer M4 Ext. Tooth Element Connection	6	
14	H00034	Hex Nut, M4 - Zn	2	
15	H00032	Phillips Pan Hd Screw, M4 x 6mm - Zn (Elect. Connections, Not Shown)	4	



# GPG1410-C Wiring Diagram

