

Parts Catalog



GPG10-C

Bistro Series Electric Sandwich Grill

Model: GPG10-C

03/20/2019 Rev. C

IMPORTANT!

TO EXPEDITE SHIPMENT OF PARTS, ALWAYS SPECIFY MODEL, REV,
PART NUMBER, AND SERIAL NUMBER OF UNIT.

GLOBE FOOD EQUIPMENT COMPANY

2215 East River Road
Dayton, Ohio 45439

Parts Department

Toll Free 1-800-745-6238 · Fax (937) 290-0585

E-Mail: info@globefoodequip.com

Website: www.globefoodequip.com

Not for resale

Table of Contents

Description

Page

GPG10-C 10 Inch Single Grill Components (Grooved)

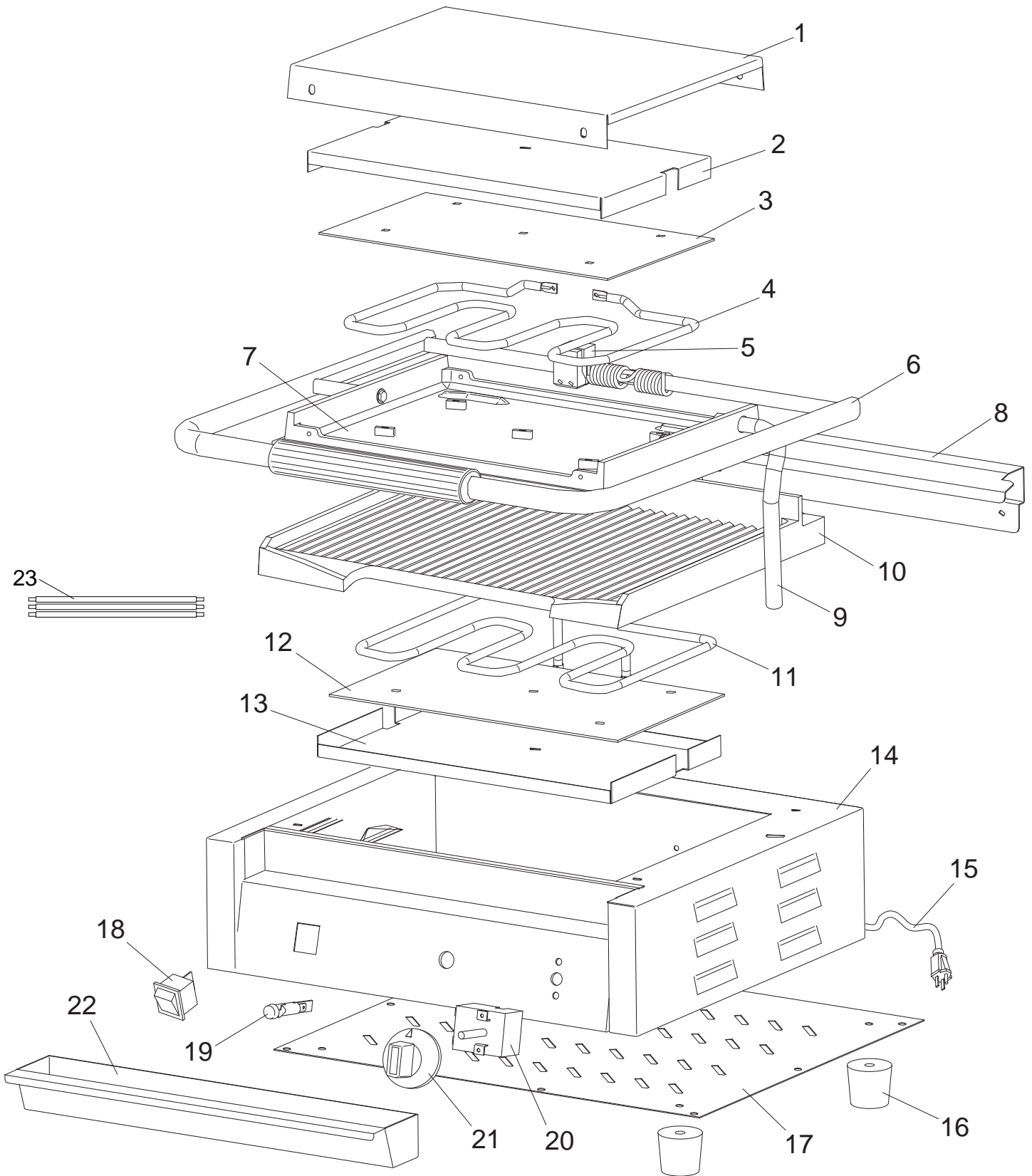
4

GPG10-C Wiring Diagram

6



GPG10-C 10 Inch Single Grill Components (Grooved)





GPG10-C 10 Inch Single Grill Components (Grooved)

Item	Part Number	Description	Qty	Serial Number
1	U00707	Top Cover	1	
2	U00708	Upper Insulating Plate	1	
3	U00709	Upper Mica Plate	1	
4	U03061225050	Upper Element	1	
5	U01021005138	Adjustable Tension Bracket	1	
6	U00712	Handle	1	
7	U00713	Upper Cast Iron - Panini Grill (Grooved)	1	
8	U00714	Back Baffle	1	
9	U01021005045	Wiring Cover, Right	1	
10	U00716	Lower Cast Iron - Panini Grill (Grooved)	1	
11	U03061225051	Lower Element	1	
12	U00717	Lower Mica Plate	1	
13	U00718	Lower Insulating Plate	1	
14	U00719	Body Assembly	1	
15	U03021205010	Cord and Plug (For Model -C)	1	
16	U02121165004	Foot	4	
17		Base Plate	1	
18	U03041215027	Power Switch	1	
19	U03091240005	Indicator Light, 120V	1	
20	U03051220022	Thermostat	1	
21	U02101155019	Temperature Adjustment Knob	1	
22	U01051026865	Drip Tray	1	
23	U00812	Wiring Kit	1	
24	U01495	Overlay (Not Shown)	1	



GPG10-C Wiring Diagram

