

# Parts Catalog



**GHPSU212G**

## **Step Up Hot Plate Gas Cooking Equipment**

**Model: GHPSU212G**

8/15/2023 Rev A

**IMPORTANT!**

TO EXPEDITE SHIPMENT OF PARTS, ALWAYS SPECIFY MODEL, REV,  
PART NUMBER, AND SERIAL NUMBER OF UNIT.

### **GLOBE FOOD EQUIPMENT COMPANY**

2215 East River Road  
Dayton, Ohio 45439

#### **Parts Department**

Toll Free 1-800-745-6238 · Fax (937) 290-0585

E-Mail: [info@globefoodequip.com](mailto:info@globefoodequip.com)

Website: [www.globefoodequip.com](http://www.globefoodequip.com)

Not for resale



# Table of Contents

**Description**

**Page**

GHPSU212G Step Up Hot Plate Components

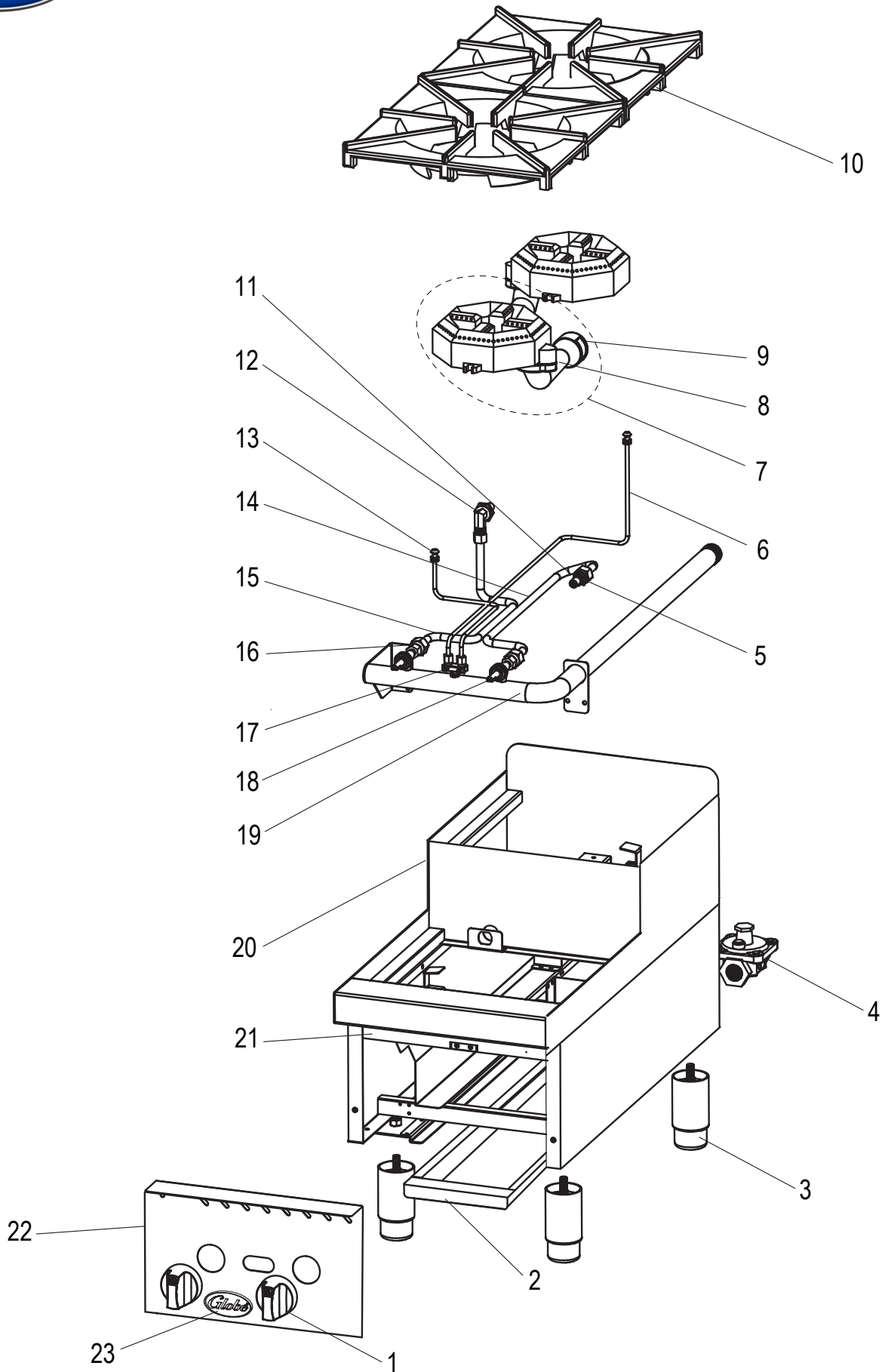
4

GHPSU212G Gas Orifice Elevation Chart

6



# GHPSU212G Step Up Hot Plate Components





## GHPSU212G Step Up Hot Plate Components

Item	Part Number	Description	Qty	Serial Number
1	<a href="#">U01021005188</a>	Control Knob	2	
2	<a href="#">U01260</a>	Drip Tray	1	
3	<a href="#">U01021005165</a>	Foot	4	
4	<a href="#">U01221069501</a>	Regulator	1	
5	<a href="#">U06051470839</a>	Hood Orifice #43	2	
5	<a href="#">U06051470824</a>	Hood Orifice #52	2	
5	<a href="#">U06051470869</a>	Hood Orifice #44	2	
5	<a href="#">U01201068653</a>	Hood Orifice #53	2	
5	<a href="#">U06051470899</a>	Hood Orifice #45	2	
5	<a href="#">U06051470695</a>	Hood Orifice (2 Pack) #46	2	
5	<a href="#">U01201068654</a>	Hood Orifice #54	2	
5	<a href="#">U06051470881</a>	Hood Orifice (2 Pack) #48	2	
6	<a href="#">U02031</a>	Back Pipe, Pilot Assembly	1	
7	<a href="#">U02038</a>	Burner Assembly	2	
8		Burner	1	
9		Air Shutter	1	
10	<a href="#">U01072</a>	Trivet	2	
11	<a href="#">U02032</a>	Front Main Injector	1	
12	<a href="#">U02033</a>	Rear Main Injector	1	
13	<a href="#">U02034</a>	Front Pipe, Pilot Assembly	1	
14	<a href="#">U02035</a>	Front Main Gas Pipe	1	
15	<a href="#">U02036</a>	Rear Main Gas Pipe	1	
16	<a href="#">U02037</a>	Connection Valve	2	
17	<a href="#">U01201068502</a>	Manual Control Valve (A18)	2	
18	<a href="#">U01201068508</a>	Pilot Valve	1	
19		Manifold Assembly	1	
20		Main Enclosure	1	
21		Isolating Plate, Front	1	
22		Control Panel	1	
23	<a href="#">U01021005383</a>	Globe Badge	1	
24	<a href="#">U01021005186</a>	Ignition Bar	(Not Shown)	1
25	<a href="#">U04031317503</a>	Control Knob Overlay	(Not Shown)	1



## GHPSU212G Gas Orifice Elevation Chart

Model	Rated Input Per Burner (BTU/HR)	Elevation		Elevation	
		0-2000 ft		2000 - 4000 ft	
		Nat	LP	Nat	LP
Step Up Hot Plate	30000	<a href="#">U06051470839 (# 43)</a>	<a href="#">U06051470824 (#52)</a>	<a href="#">U06051470869 (#44)</a>	U01201068653 (#53)
		Elevation		Elevation	
		4000 - 6000 ft		6000 - 8000 ft	
		Nat	LP	Nat	LP
Step Up Hot Plate	30000	<a href="#">U06051470899 (#45)</a>	U01201068653 (#53)	<a href="#">U06051470695 (#46)</a>	U01201068654 (#54)
		Elevation			
		8000 - 10000 ft			
		Nat	LP		
Step Up Hot Plate	30000	<a href="#">U06051470881 (#48)</a>	U01201068654 (#54)		