

Parts Catalog



GHP12G

Gas Cooking Equipment Hot Plate

Model: GHP12G

08/14/2023 Rev B

IMPORTANT!

TO EXPEDITE SHIPMENT OF PARTS, ALWAYS SPECIFY MODEL, REV,
PART NUMBER, AND SERIAL NUMBER OF UNIT.

GLOBE FOOD EQUIPMENT COMPANY

2215 East River Road
Dayton, Ohio 45439

Parts Department

Toll Free 1-800-745-6238 · Fax (937) 290-0585

E-Mail: info@globefoodequip.com

Website: www.globefoodequip.com

Not for resale

Table of Contents

Description

Page

GHP12G Hot Plate Components

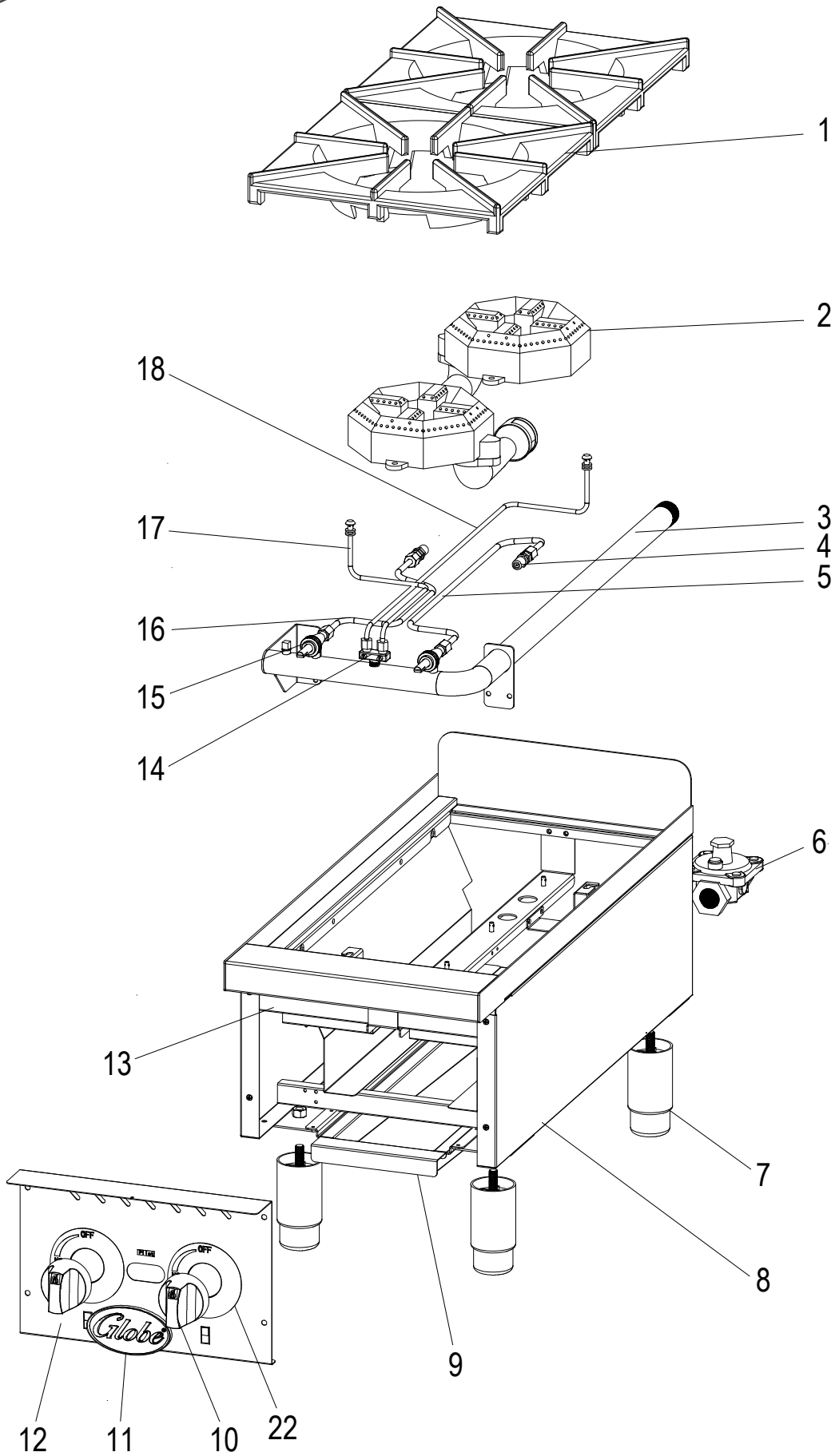
4

GHP12G Gas Orifice Elevation Chart

6



GHP12G Hot Plate Components





GHP12G Hot Plate Components

Item	Part Number	Description	Qty	Serial Number
1	U01072	Trivet	2	
2	U02042	Burner Assembly	2	
3		Manifold Assembly	1	
4	U06051470695	Hood Orifice (2 Pack) #46	2	
4	U06051470693	Hood Orifice #54	2	
4	U06051470929	Hood Orifice #47	2	
4	U06051470836	Hood Orifice (2 Pack) #55	2	
4	U06051470881	Hood Orifice (2 Pack) #48	2	
4	U01201068649	Hood Orifice #49	2	
4	U06051470896	Hood Orifice #56	2	
4	U01201068651	Hood Orifice #51	2	
5	U02003	Rear Gas Pipe	1	
6	U01221069501	Regulator	1	
7	U01021005165	Foot	4	
8		Main Enclosure	1	
9	U01260	Drip Tray	1	1814118647 ->
10	U01021005188	Control Knob	2	
11	U01021005383	Globe Badge	1	
12	U03034	Front Panel	1	
13		Isolating Plate Front	1	
14	U01201068502	Manual Control Valve (A18)	1	
15	U01201068508	Pilot Valve	2	
16	U02004	Front Gas Pipe	1	
17	U02034	Front Pipe, Pilot Assembly	1	->1814118646
17	U01536	Front Pipe, Pilot Assembly	1	1814118647 ->
18	U01537	Back Pipe, Pilot Assembly	1	1814118647 ->
19		Fixture Block, Pilot Pipe	Not Shown	2
20	U01021005186	Ignition Bar	Not Shown	1
21	U03021	Top Support Bar	Not Shown	1
22	U04031317503	Control Knob Overlay	1	



GHP12G Gas Orifice Elevation Chart

Model	Rated Input Per Burner (BTU/HR)	Elevation		Elevation	
		Nat	LP	Nat	LP
		0-2000 ft		2000 - 4000 ft	
		Nat	LP	Nat	LP
Hot Plate	22500	U06051470695 (#46)	U06051470693 (#54)	U06051470929 (#47)	U06051470836 (#55)
		Elevation		Elevation	
		4000 - 6000 ft		6000 - 8000 ft	
		Nat	LP	Nat	LP
Hot Plate	22500	U06051470881 (#48)	U06051470836 (#55)	U01201068649 (#49)	U06051470896 (#56)
		Elevation			
		8000 - 10000 ft			
		Nat	LP		
Hot Plate	22500	U01201068651 (#51)	U06051470896 (#56)		