

Parts Catalog



GG24TG

Gas Cooking Equipment Griddle

Model: GG24TG

8/07/23 Rev B

IMPORTANT!

TO EXPEDITE SHIPMENT OF PARTS, ALWAYS SPECIFY MODEL, REV,
PART NUMBER, AND SERIAL NUMBER OF UNIT.

GLOBE FOOD EQUIPMENT COMPANY

2215 East River Road
Dayton, Ohio 45439

Parts Department

Toll Free 1-800-745-6238 · Fax (937) 290-0585

E-Mail: info@globefoodequip.com

Website: www.globefoodequip.com

Not for resale

Table of Contents

Description

Page

GG24TG Thermostatic Griddle Components

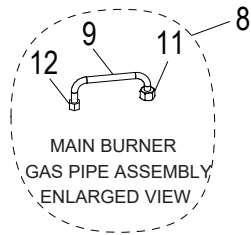
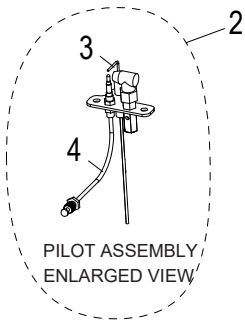
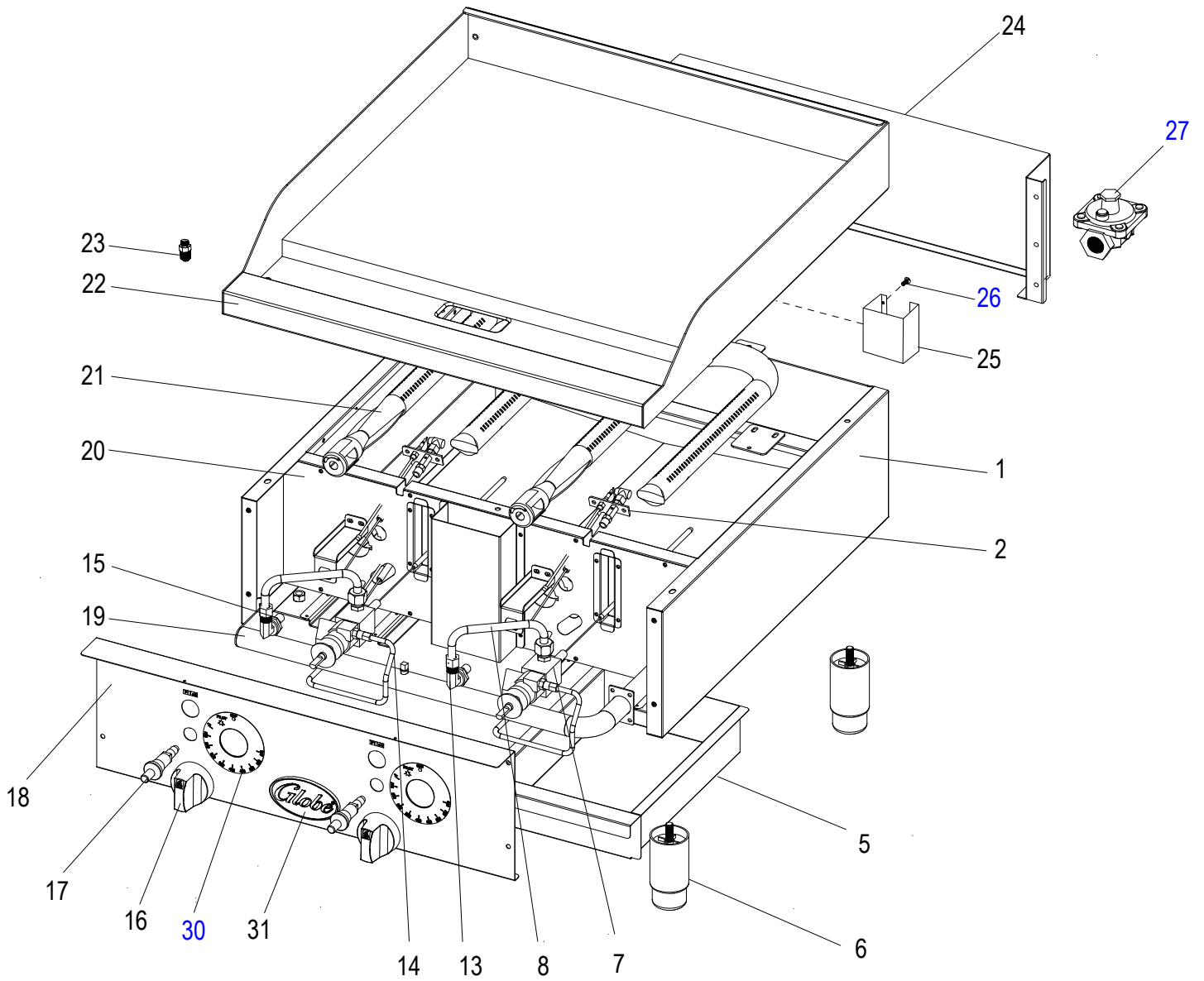
4

GG24TG Gas Orifice Elevation Chart

6



GG24TG Thermostatic Griddle Components





GG24TG Thermostatic Griddle Components

Item	Part Number	Description	Qty	Serial Number
1		Main Enclosure, Lower	1	
2	U00677	Pilot Assembly (Incl. items 3-4)	2	
3	U02483	Thermocouple	1	
4	U03991290123	Piezo Ignition Assembly	1	
5	U00811	Drip Tray	1	1615055780 ->
6	U01021005165	Foot	4	
7	U01201068510	Thermostatic Valve	2	
8	U01079	Gas Pipe Kit (Incl. items 9-12)	2	1614032261 ->
9		Main pipe	1	
10		Copper Cover Not Shown	2	
11		Nut M16	1	
12		Nut M14	1	
13	U01080	Injector Connection	2	
14		Pilot Pipe	2	->1614032260
14	U01500	Pilot Pipe Kit	2	1614032261 ->
15	U01201068641	Hood Orifice #41	2	
15	U01201068651	Hood Orifice #51	2	
15	U06051470839	Hood Orifice #43	2	
15	U06051470869	Hood Orifice #44	2	
15	U06051470899	Hood Orifice #45	2	
15	U06051470929	Hood Orifice #47	2	
15	U06051470824	Hood Orifice #52	2	
15	U06051470884	Hood Orifice #53	2	
16	U01021005188	Control Knob	2	
17	U03991290085	Piezo Ignition Button	2	
18	U03031	Front Panel	1	
19		Manifold Assembly	1	
20		Isolating Plate, Front	1	
21	U06051470672	"U" Shaped Burner	2	1614030121 ->
22		Griddle Plate Assembly	1	
23	U01201068513	Pilot Injector (NG)	2	
23	U01201068512	Pilot Injector (LPG)	2	
24	U01077	Rear Panel Purchase with *	1	1614032190 ->
25	U01032	Bracket *	1	1614032190 ->
26	U01075	Screw *	4	1614032190 ->
27	U01221069501	Regulator	1	
28		Isolating Plate, Lower Not Shown	1	
29		Copper Cover Not Shown	1	
30	U01920	Overlay	1	
31	U01021005383	Globe Badge	1	



GG24TG Gas Orifice Elevation Chart

Model	Rated Input Per Burner (BTU/HR)	Elevation		Elevation	
		Nat	LP	Nat	LP
		0-2000 ft		2000 - 4000 ft	
		Nat	LP	Nat	LP
Griddle	30000	U01201068641 (#41)	U01201068651 (#51)	U06051470839 (#43)	U06051470824 (#52)
		Elevation		Elevation	
		4000 - 6000 ft		6000 - 8000 ft	
		Nat	LP	Nat	LP
Griddle	30000	U06051470869 (#44)	U06051470824 (#52)	U06051470899 (#45)	U06051470884 (#53)
		Elevation		Pilot For Thermostatic Griddle Only	
		8000 - 10000 ft		All Elevations	
		Nat	LP	Nat	LP
Griddle	30000	U06051470929 (#47)	U06051470884 (#53)	U01201068513 (.45mm)	U01201068512 (.25mm)