

Parts Catalog



GFF80G

Gas Cooking Equipment Floor Fryer

Model: GFF80G

8/15/2023 Rev. B

IMPORTANT!

TO EXPEDITE SHIPMENT OF PARTS, ALWAYS SPECIFY MODEL, REV,
PART NUMBER, AND SERIAL NUMBER OF UNIT.

GLOBE FOOD EQUIPMENT COMPANY

2215 East River Road
Dayton, Ohio 45439

Parts Department

Toll Free 1-800-745-6238 · Fax (937) 290-0585

E-Mail: info@globefoodequip.com

Website: www.globefoodequip.com

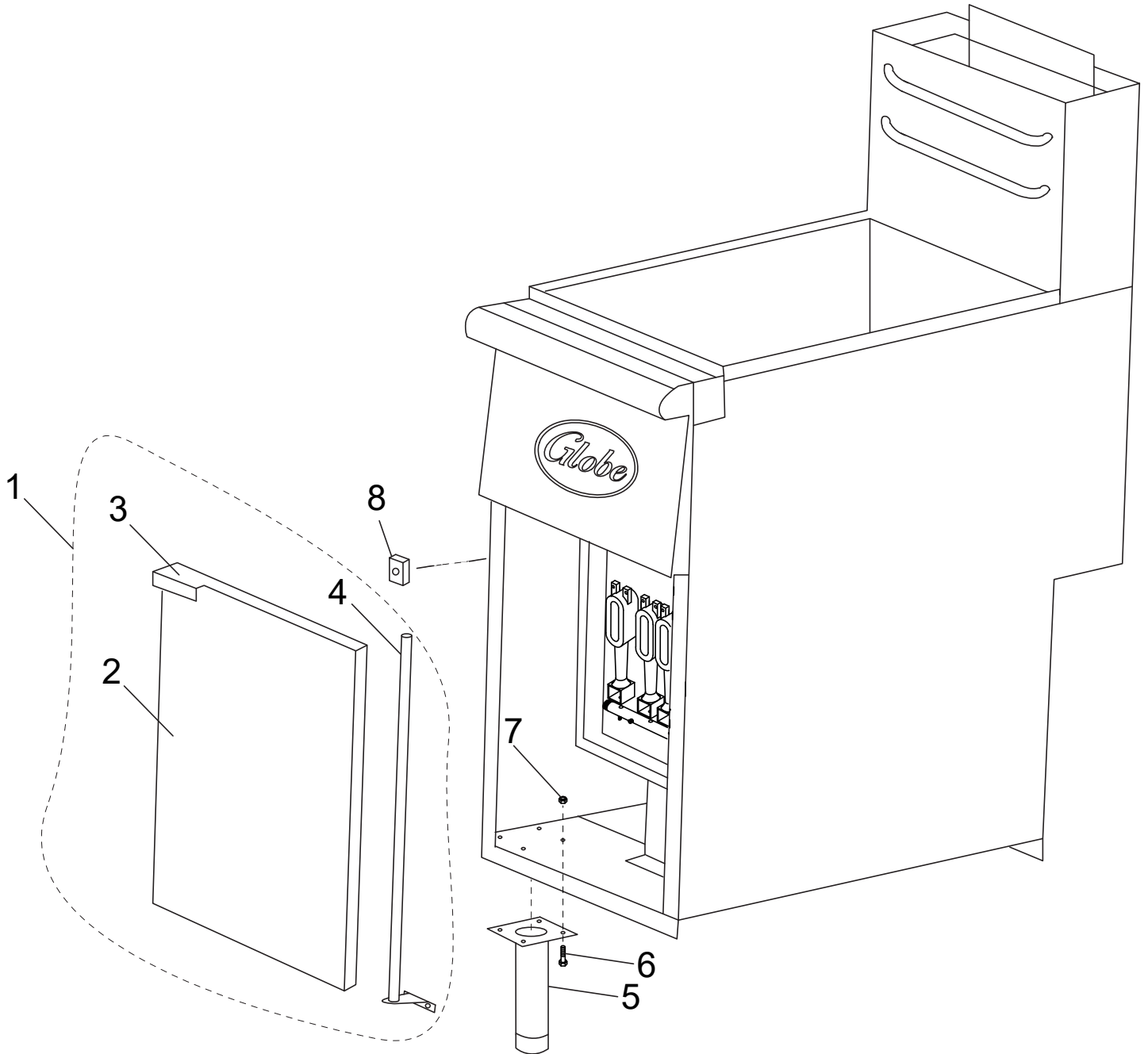
Not for resale

Table of Contents

Description	Page
GFF80G Fryer Components	4
GFF80G Tank Components	6
GFF80G Gas Components	8
GFF80G Wiring Diagram	10
GFF80G Orifice Elevation Chart	11



GFF80G Fryer Components



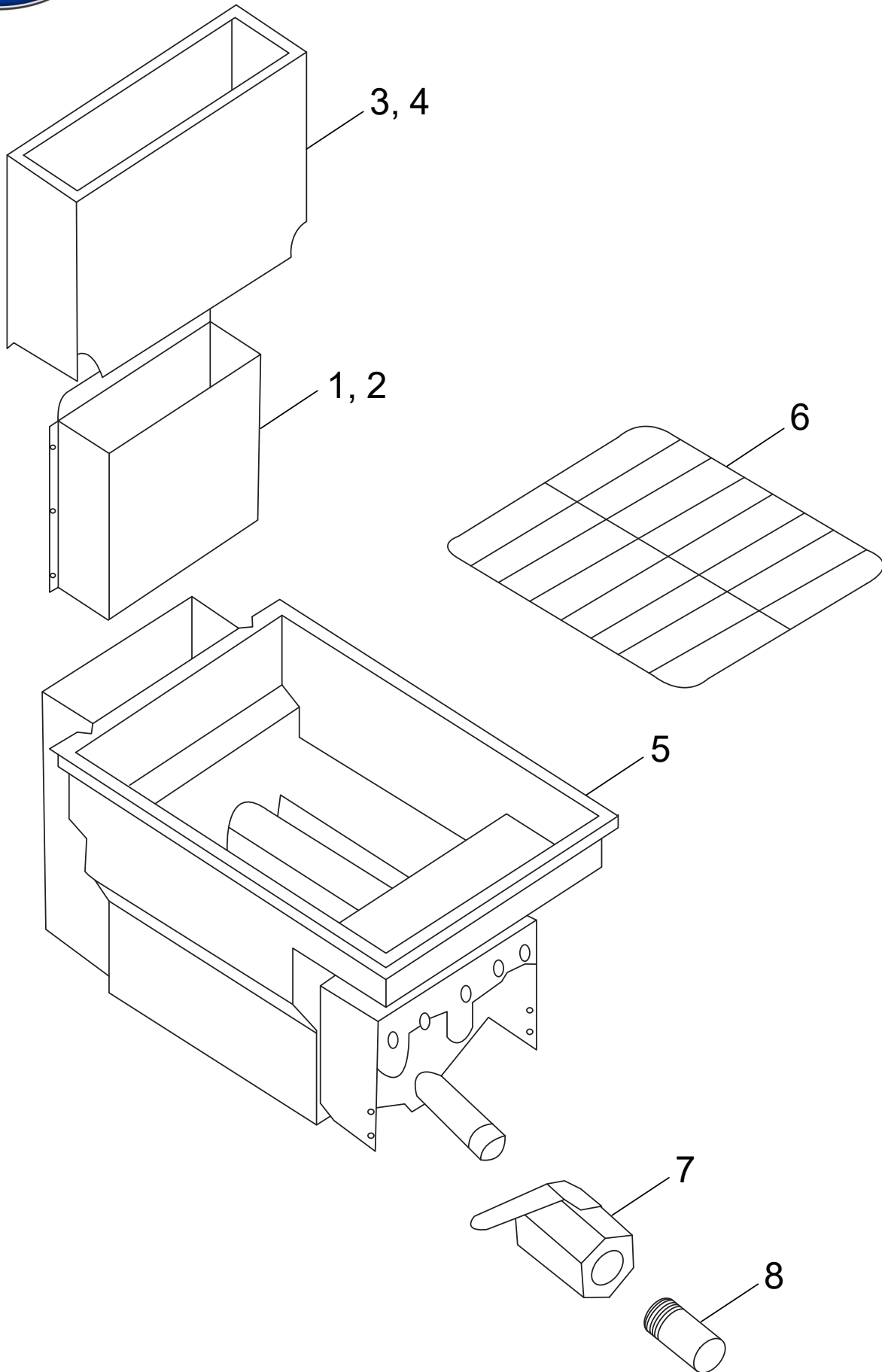


GFF80G Fryer Components

Item	Part Number	Description	Qty	Serial Number
1	K00785	Door Assembly	1	
2		Door	1	
3		Handle, Door	1	
4		Rod and Hinge, Door	1	
5	K00810	Leg Kit (4/Set)	1	
6		Bolt 1/4 - 20 x 3/4	16	
7		Nut 1/4 - 20 x 3/4	16	
8	K00786	Magnet	1	



GFF80G Tank Components



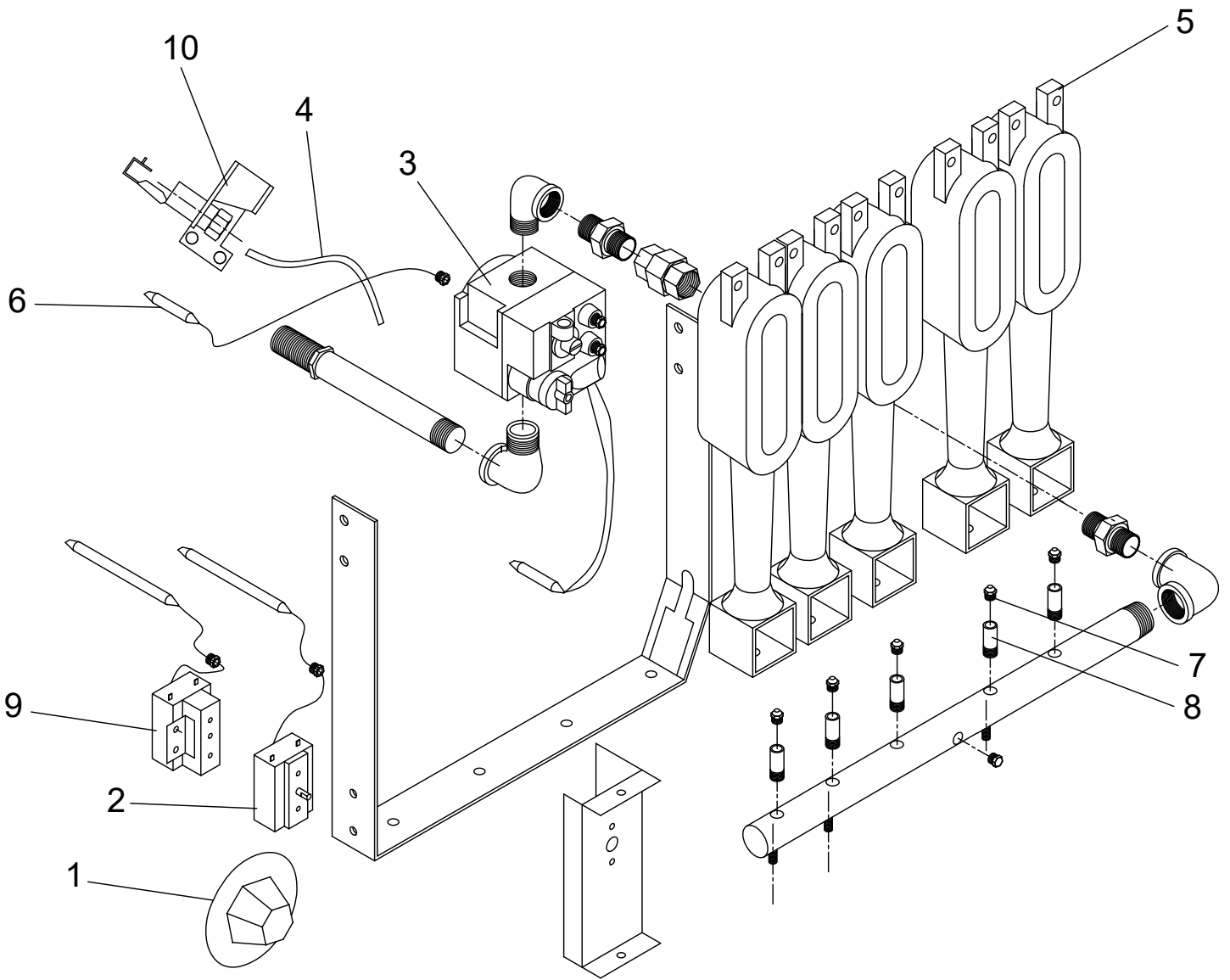


GFF80G Tank Components

Item	Part Number	Description	Qty	Serial Number
1	K00807	Flue Top	1	
2	H01556	Screw M4 x 10 mm Self Tapping	2	
3	K00809	Flue Wrap	1	
4	H01556	Screw M4 x 10 mm Self Tapping	6	
5		Tank	1	
6	K00790	Screen (13.5" x 13.5")	1	
7	K00803	Drain Valve	1	
8	K00804	Drain Extension	1	



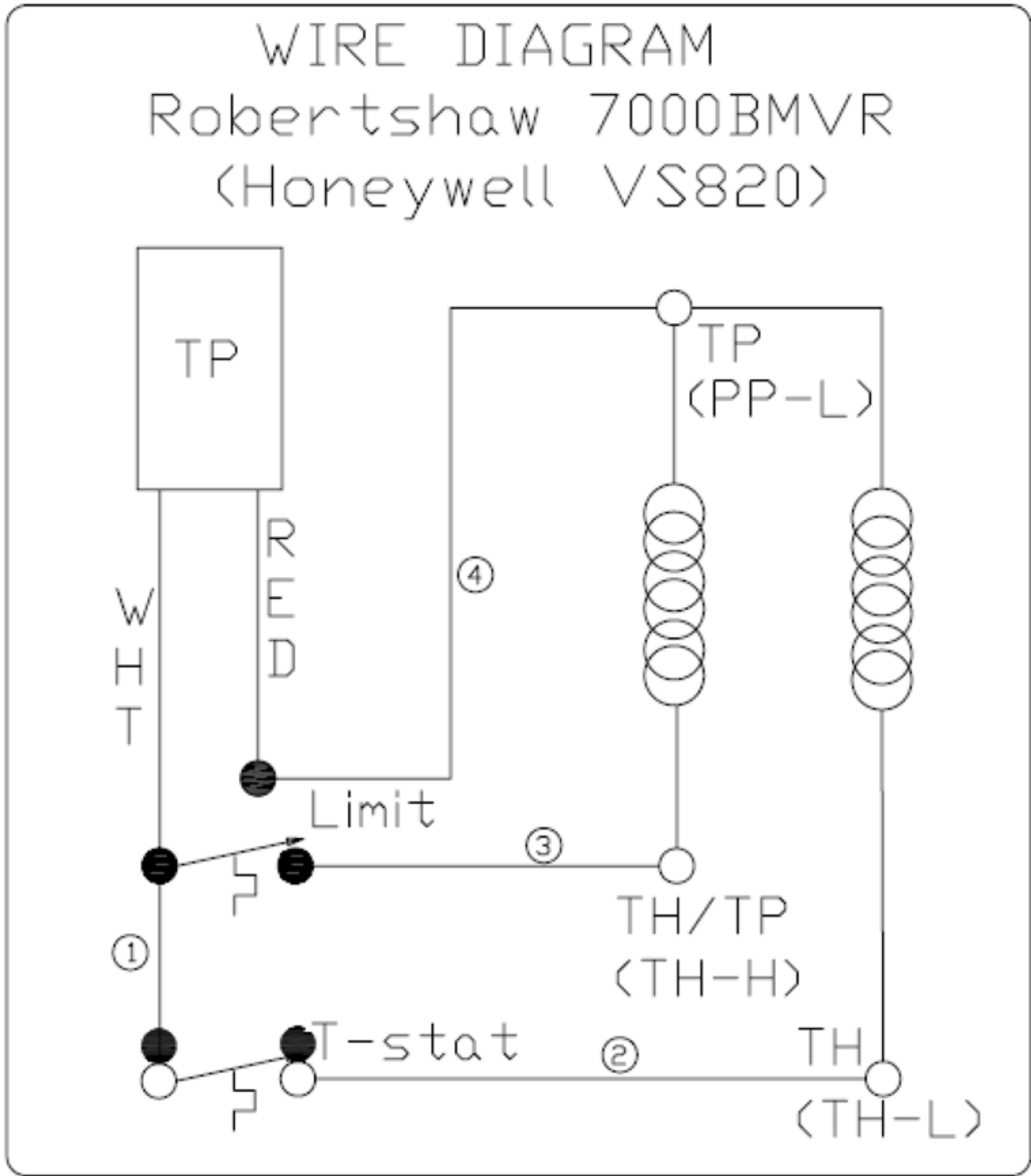
GFF80G Gas Components





GFF80G Gas Components

Item	Part Number	Description	Qty	Serial Number
1	K00799	Thermostat Knob	1	
2	K00798	Thermostat	1	
3	K00795	Combination Valve (NG)	1	
3	K00796	Combination Valve (LP)	1	
4	K00802	Pilot Tube (1/4" x 23")	1	
5	K00794	Burner	5	
6	K00800	Thermopile	1	
7	K00791	Spud Orifice #39	5	
7	K00792	Spud Orifice #52	5	
7	K01569	Spud Orifice Kit #41, #42, #43 (NG)	1	
7	K01570	Spud Orifice Kit #52, #53, #54 (LP)	1	
8	K00793	Orifice Extension	1	
9	K00797	High Limit Thermostat	1	
10	K00801	Burner Pilot (LP)	1	
10	K01222	Burner Pilot (NG)	1	





GFF80G Orifice Elevation Chart

Model	Rated Input Per Burner (BTU/HR)	Elevation		Elevation	
		Nat	LP	Nat	LP
		0-2000 ft		2000 - 4000 ft	
		Nat	LP	Nat	LP
Floor Fryer	30000	K00791 (#39)	K00792 (#52)	K01569 (#41)	K01570 (#52)
		Elevation		Elevation	
		4000 - 6000 ft		6000 - 8000 ft	
		Nat	LP	Nat	LP
Floor Fryer	30000	K01569 (#42)	K01570 (#53)	K01569 (#43)	K01570 (#54)

All orifices used for elevations of 2000 ft. or higher are sold as kits
 Natural Gas Kit includes #41, 42 & 43 (5 each)
 LP Gas Kit includes #52, 53 & 54 (5 each)