

Parts Catalog



GFF35G

Gas Cooking Equipment Floor Fryer

Model: GFF35G

8/18/2023 Rev. B

IMPORTANT!

TO EXPEDITE SHIPMENT OF PARTS, ALWAYS SPECIFY MODEL, REV,
PART NUMBER, AND SERIAL NUMBER OF UNIT.

GLOBE FOOD EQUIPMENT COMPANY

2215 East River Road
Dayton, Ohio 45439

Parts Department

Toll Free 1-800-745-6238 · Fax (937) 290-0585

E-Mail: info@globefoodequip.com

Website: www.globefoodequip.com

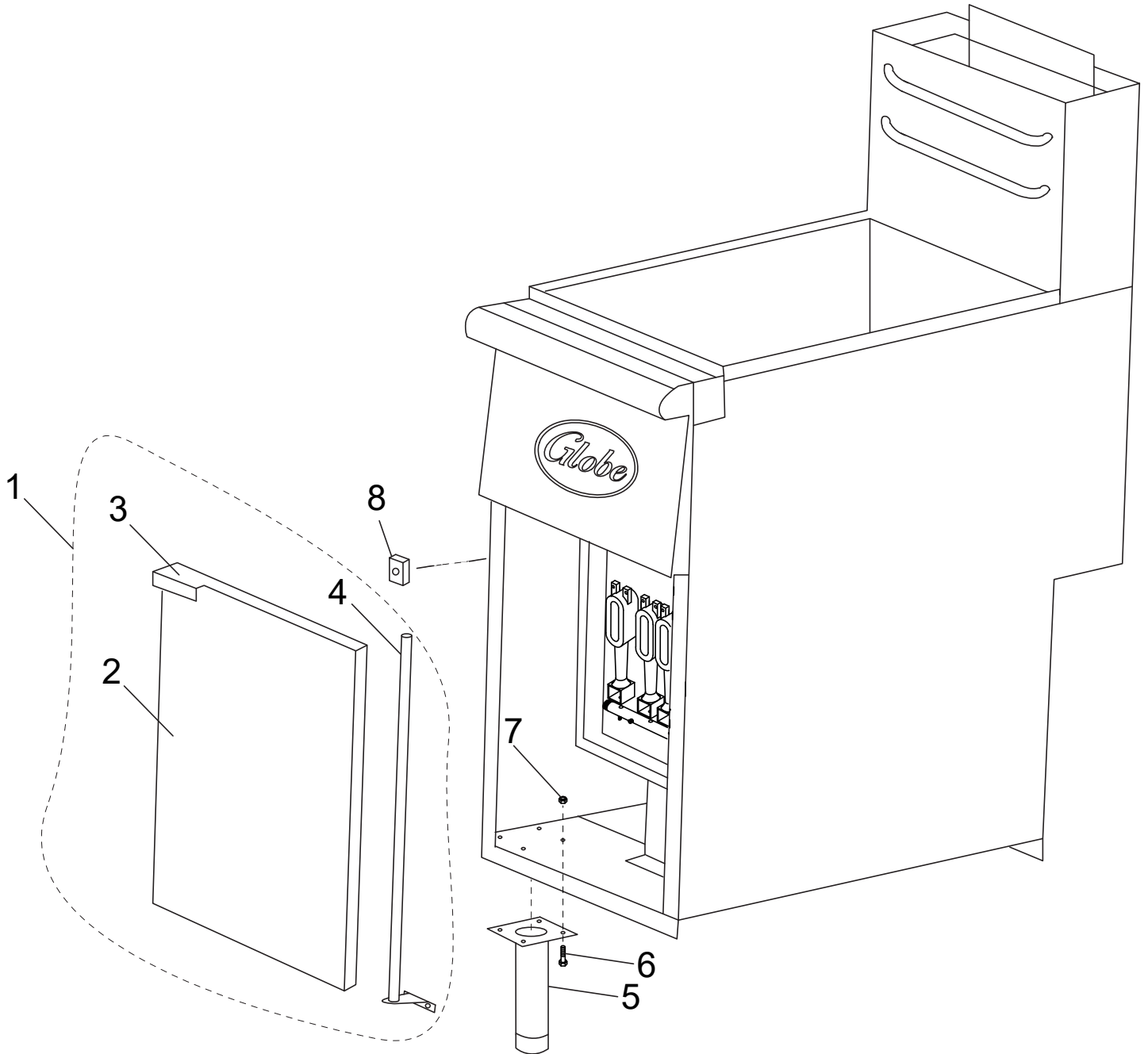
Not for resale

Table of Contents

| Description | Page |
|--------------------------------|------|
| GFF35G Fryer Components | 4 |
| GFF35G Tank Components | 6 |
| GFF35G Gas Components | 8 |
| GFF35G Wiring Diagram | 10 |
| GFF35G Orifice Elevation Chart | 11 |



GFF35G Fryer Components



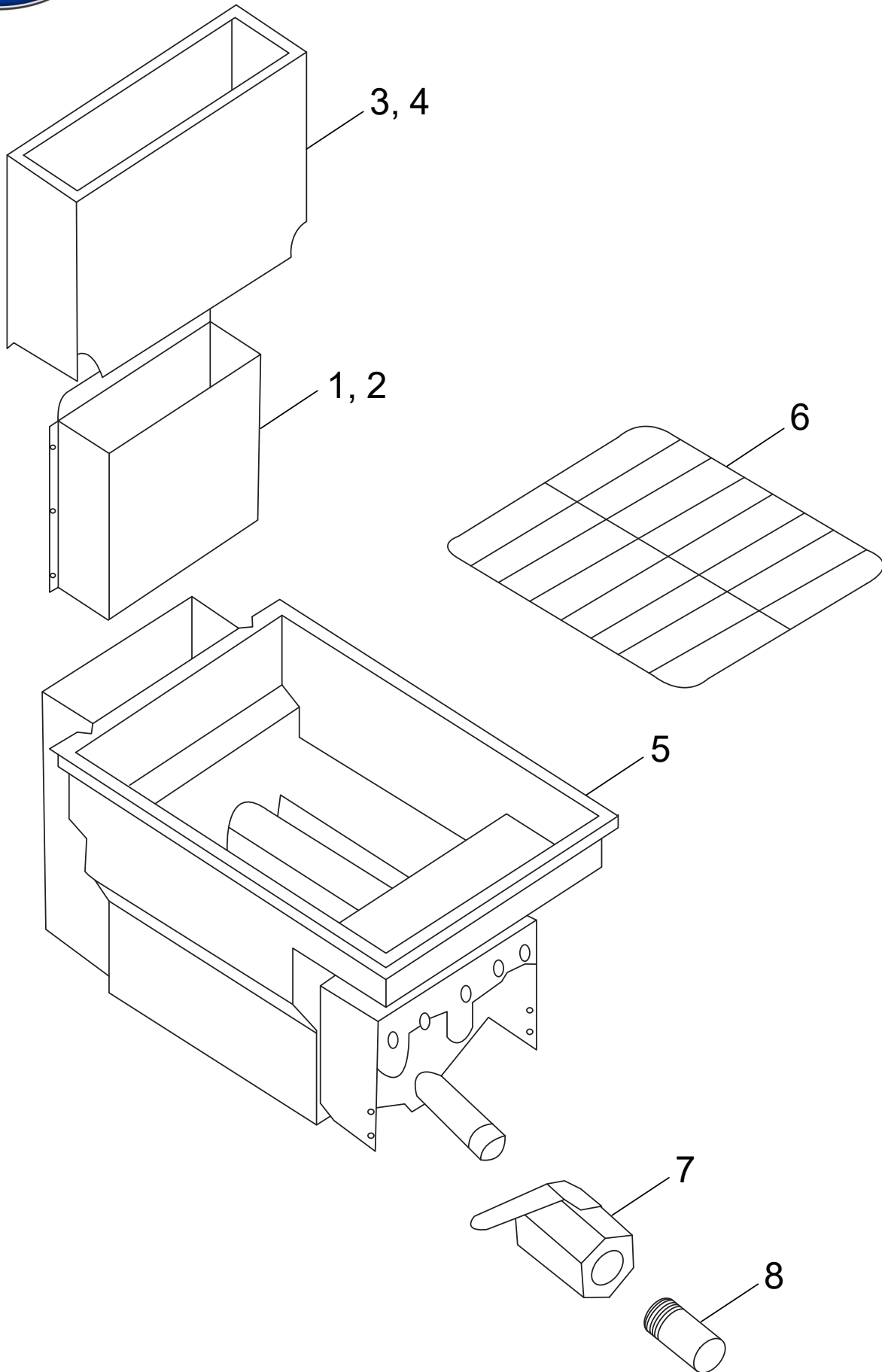


GFF35G Fryer Components

| Item | Part Number | Description | Qty | Serial Number |
|------|-------------|---------------------|-----|---------------|
| 1 | K00784 | Door Assembly | 1 | |
| 2 | | Door | 1 | |
| 3 | | Handle, Door | 1 | |
| 4 | | Rod and Hinge, Door | 1 | |
| 5 | K00810 | Leg Kit (4/Set) | 1 | |
| 6 | | Bolt 1/4 - 20 x 3/4 | 16 | |
| 7 | | Nut 1/4 - 20 x 3/4 | 16 | |
| 8 | K00786 | Magnet | 1 | |



GFF35G Tank Components



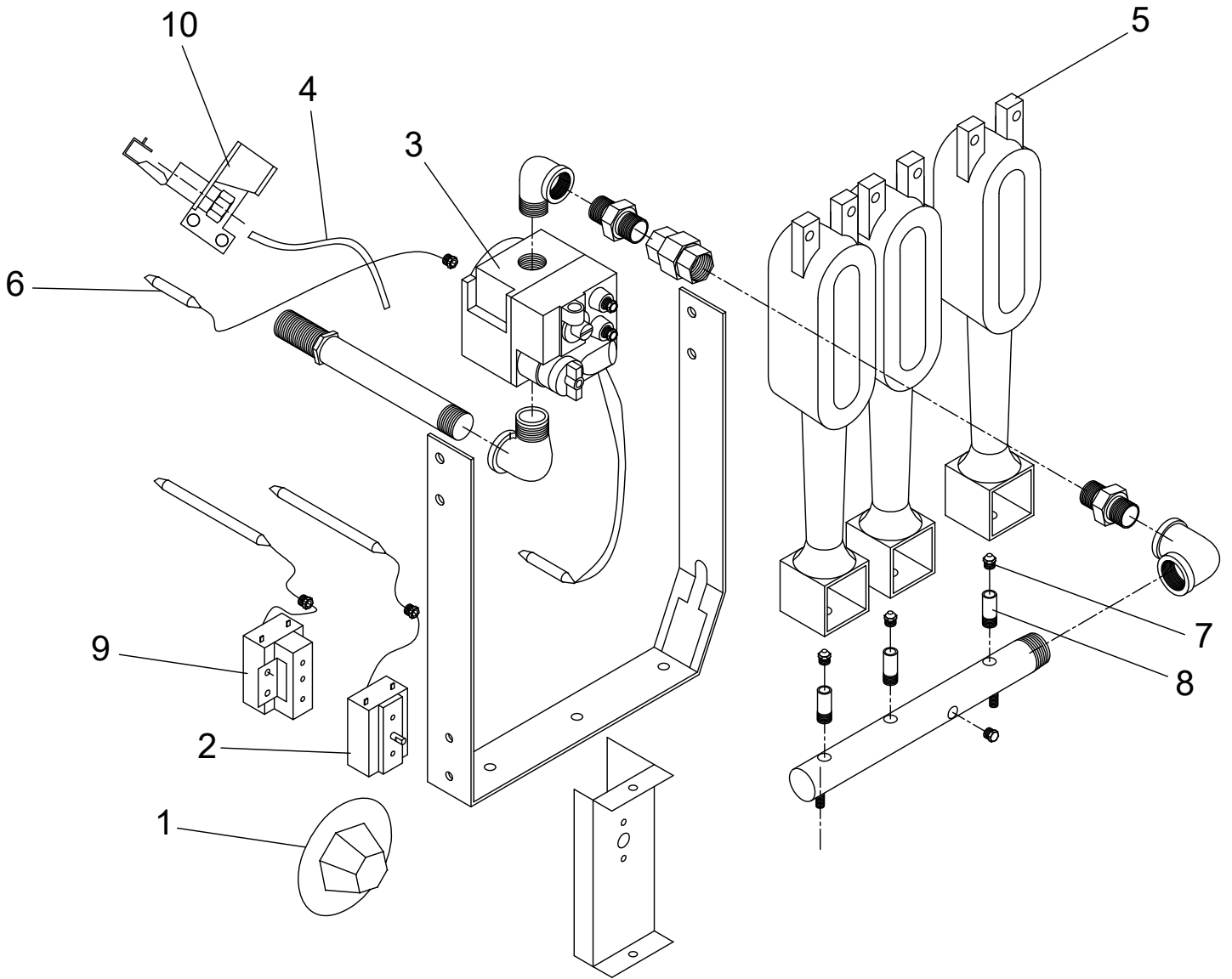


GFF35G Tank Components

| Item | Part Number | Description | Qty | Serial Number |
|------|------------------------|-------------------------------------------|-----|---------------|
| 1 | K00805 | Flue Top | 1 | |
| 2 | H01556 | Screw M4 x 10 mm Self Tapping (Not Shown) | 2 | |
| 3 | K00808 | Flue Wrap | 1 | |
| 4 | H01556 | Screw M4 x 10 mm Self Tapping (Not Shown) | 6 | |
| 5 | | Tank | 1 | |
| 6 | K00789 | Screen (11" x 13") | 1 | |
| 7 | K00803 | Drain Valve | 1 | |
| 8 | K00804 | Drain Extension | 1 | |



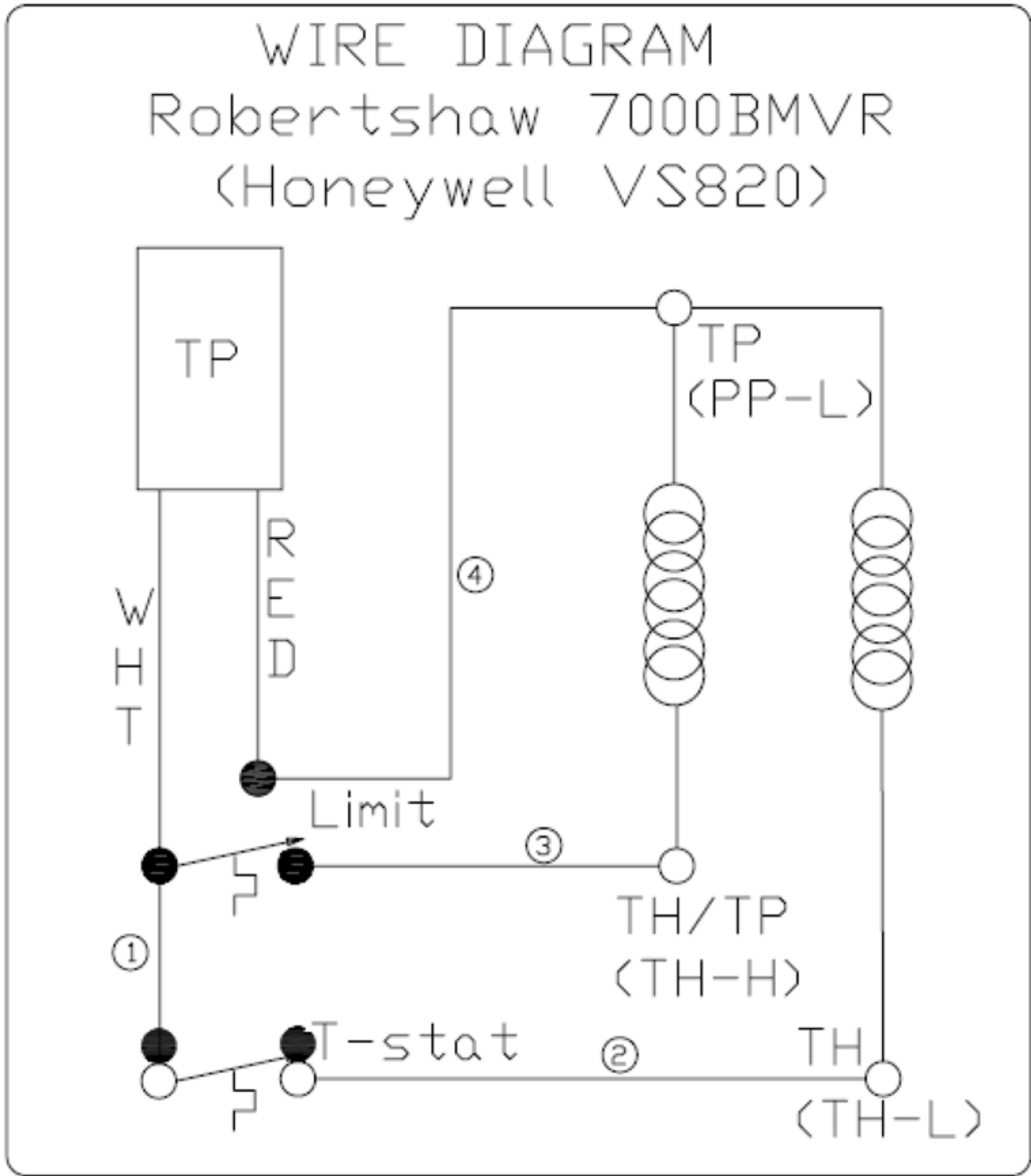
GFF35G Gas Components





GFF35G Gas Components

| Item | Part Number | Description | Qty | Serial Number |
|------|------------------------|-------------------------------------|-----|---------------|
| 1 | K00799 | Thermostat Knob | 1 | |
| 2 | K00798 | Thermostat | 1 | |
| 3 | K00795 | Combination Valve (NG) | 1 | |
| 3 | K00796 | Combination Valve (LP) | 1 | |
| 4 | K00802 | Pilot Tube (1/4" x 23") | 1 | |
| 5 | K00794 | Burner | 3 | |
| 6 | K00800 | Thermopile | 1 | |
| 7 | K00791 | Spud Orifice #39 | 3 | |
| 7 | K00792 | Spud Orifice #52 | 3 | |
| 7 | K01569 | Spud Orifice Kit #41, #42, #43 (NG) | 3 | |
| 7 | K01570 | Spud Orifice Kit #52, #53, #54 (LP) | 3 | |
| 8 | K00793 | Orifice Extension | 3 | |
| 9 | K00797 | High Limit Thermostat | 1 | |
| 10 | K00801 | Burner Pilot (LP) | 1 | |
| 10 | K01222 | Burner Pilot (NG) | 1 | |





GFF35G Orifice Elevation Chart

| Model | Rated Input Per Burner (BTU/HR) | Elevation | | Elevation | |
|-------------|---------------------------------|----------------|--------------|----------------|--------------|
| | | Nat | LP | Nat | LP |
| | | 0-2000 ft | | 2000 - 4000 ft | |
| | | Nat | LP | Nat | LP |
| Floor Fryer | 30000 | K00791 (#39) | K00792 (#52) | K01569 (#41) | K01570 (#52) |
| | | Elevation | | Elevation | |
| | | 4000 - 6000 ft | | 6000 - 8000 ft | |
| | | Nat | LP | Nat | LP |
| Floor Fryer | 30000 | K01569 (#42) | K01570 (#53) | K01569 (#43) | K01570 (#54) |

All orifices used for elevations of 2000 ft. or higher are sold as kits
 Natural Gas Kit includes #41, 42 & 43 (5 each)
 LP Gas Kit includes #52, 53 & 54 (5 each)