

Parts Catalog



GF15G

Gas Cooking Equipment Fryer

Model: GF15G

8/15/2023 Rev. B

IMPORTANT!

TO EXPEDITE SHIPMENT OF PARTS, ALWAYS SPECIFY MODEL, REV,
PART NUMBER, AND SERIAL NUMBER OF UNIT.

GLOBE FOOD EQUIPMENT COMPANY

2215 East River Road
Dayton, Ohio 45439

Parts Department

Toll Free 1-800-745-6238 · Fax (937) 290-0585

E-Mail: info@globefoodequip.com

Website: www.globefoodequip.com

Not for resale

Table of Contents

Description

Page

GF15G Fryer Components

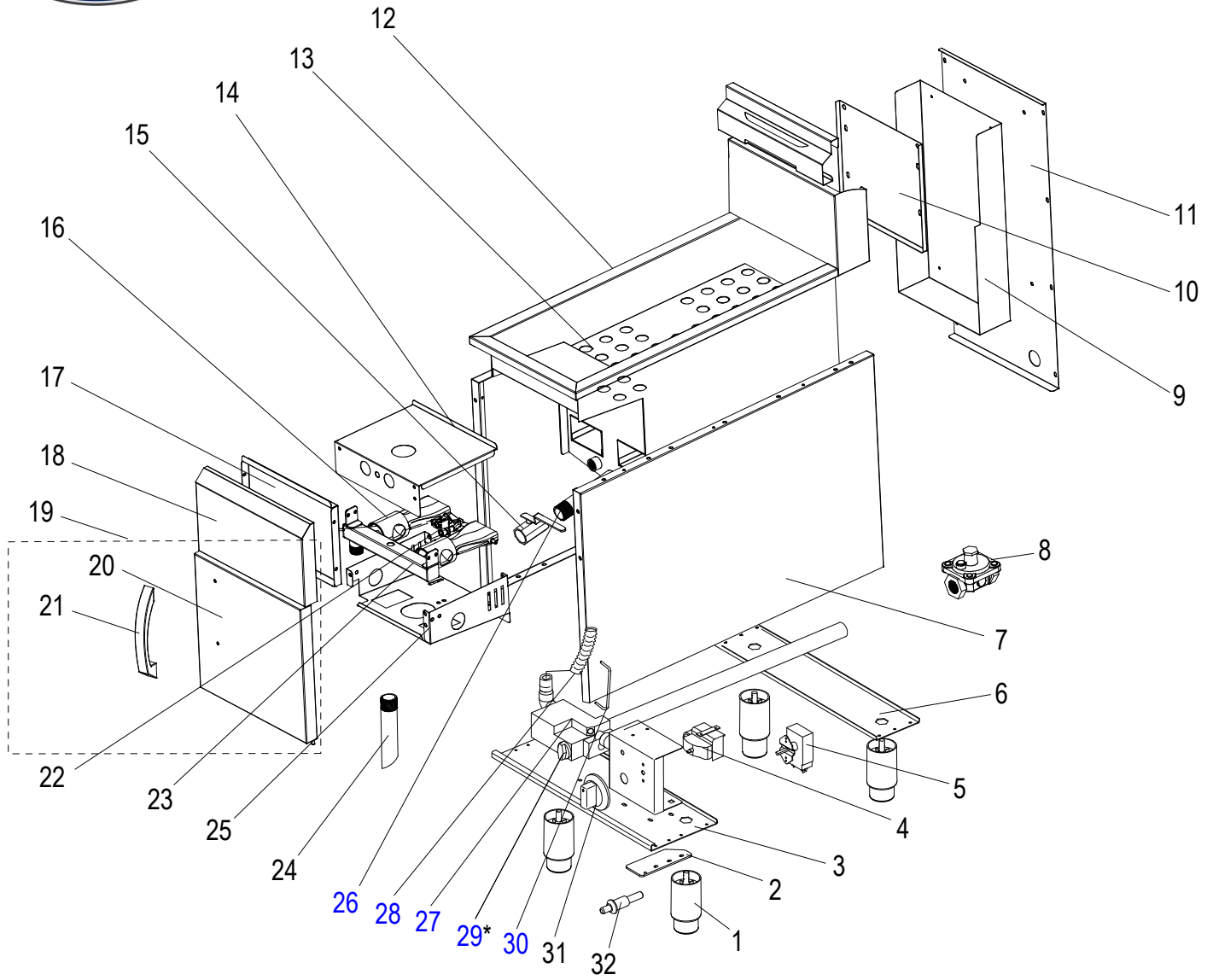
4

GF15G Gas Orifice Elevation Chart

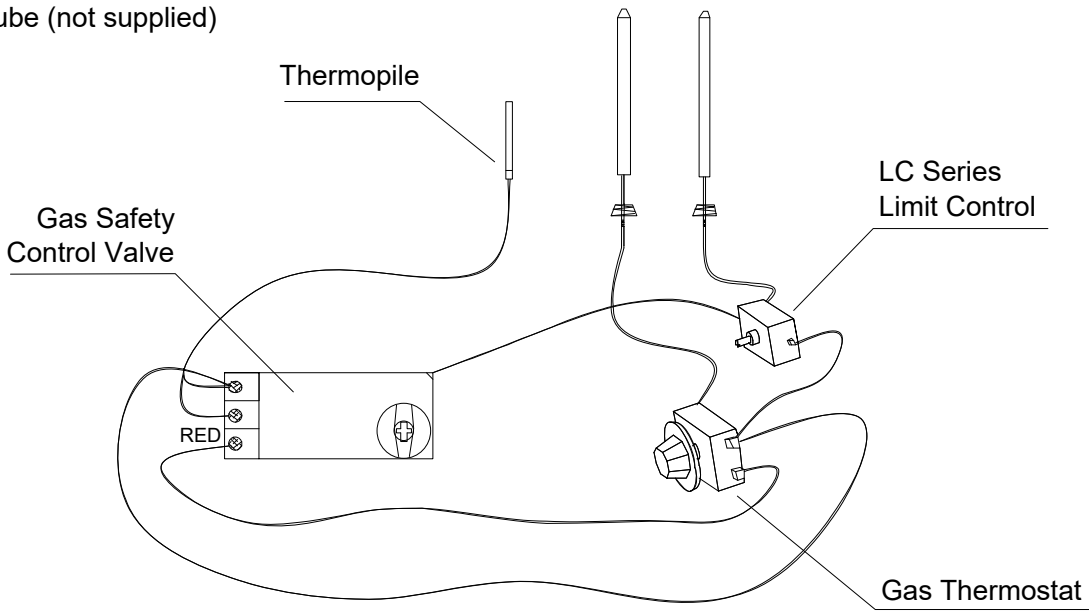
6



GF15G Fryer Components



* Two 1/4 in. brass compression sleeves needed for replacement of the pilot tube (not supplied)





GF15G Fryer Components

Item	Part Number	Description	Qty	Serial Number
1	U01021005165	Foot	4	
2		Fixing Plate for Door Hinge	1	
3		Supporting Plate, Front Feet	1	
4	U03991290101	LCHM Limit Control	1	1522044053 ->
4	U03081	LCHM Limit Control	1	1522044054 ->
5	U03051220047	Thermostat Millivolt	1	1522044053 ->
5	U03082	Thermostat Millivolt	1	1522044054 ->
6		Supporting Plate, Rear Feet	1	
7		Panel, Right	1	
8	U01221069501	Regulator	1	
9		Plate, Rear Flue	1	
10		Plate, Front Flue	1	
11		Panel, Rear	1	
12		Oil Tank Assembly	1	
13	U03125	Filter Panel	1	
14		Burner Isolating Plate, Upper	1	
15	U01201068532	Oil Drain Valve	1	
16	U06051470489	Burner Assembly	2	
17		Isolating Plate, Front	1	
18		Panel, Front	1	
19	U02246	Door & Handle Assembly (Incls. items 20-21)	1	
20		Door Assembly	1	
21	U02012	Handle Kit	1	
22	U01211069001	ODS Flame Protection (NG)	1	
23	U01211069003	ODS Flame Protection (LP)	1	
24		Gas Pipe Assembly	1	
25		Burner Isolating Plate, Lower	1	
26	U01021005195	Oil Drain Pipe	1	
27		Main Enclosure, Lower	1	
28	U01021005117	Corrugated Pipe	1	
29	U06051470654	Safety Control Valve (NG)	1	
29	U06051470674	Safety Control Valve (LP)	1	
30	U00770	Pilot Tube	1	
31	U01078	Thermostat Knob	1	->1522044053
31	U03080	Thermostat Knob	1	1522044054 ->
32	U03991290085	Piezo Ignition Button	1	
33	U01201068651	Hood Orifice #51	Not Shown	1
33	U01201068658	Hood Orifice #58	Not Shown	1
33	U06051470824	Hood Orifice #52		1
33	U06051470975	Hood Orifice #60 (2 Pack)		1
33	U06051470884	Hood Orifice #53		1
33	U06051470693	Hood Orifice #54		1
34	U03111250027	Thermocouple Assembly	Not Shown	1
35	U01051026757	Spatter Shield	Not Shown	1
36	U01535	Magnet	Not Shown	1
37	U01021005383	Globe Badge	Not Shown	1
38	U030991290123	Piezo Ignition Assembly	Not Shown	1



GF15G Gas Orifice Elevation Chart

Model	Rated Input Per Burner (BTU/HR)	Elevation		Elevation	
		Nat	LP	Nat	LP
		0-2000 ft		2000 - 4000 ft	
		Nat	LP	Nat	LP
Fryer	13250	U01201068651 (#51)	U01201068658 (#58)	U06051470824 (#52)	U06051470975 (#60)
		Elevation		Elevation	
		4000 - 6000 ft		6000 - 8000 ft	
		Nat	LP	Nat	LP
Fryer	13250	U06051470824 (# 52)	U06051470975 (#60)	U06051470884 (#53)	U06051470975 (#60)
		Elevation			
		8000 - 10000 ft			
		Nat	LP		
Fryer	13250	U06051470693 (#54)	U06051470975 (#60)		