

# Parts Catalog



**GCB48G**

## **Gas Cooking Equipment Charbroiler**

**Model: GCB48G**

8/07/2023 Rev B

IMPORTANT!

TO EXPEDITE SHIPMENT OF PARTS, ALWAYS SPECIFY MODEL, REV,  
PART NUMBER, AND SERIAL NUMBER OF UNIT.

### **GLOBE FOOD EQUIPMENT COMPANY**

2215 East River Road  
Dayton, Ohio 45439

#### **Parts Department**

Toll Free 1-800-745-6238 · Fax (937) 290-0585

E-Mail: [info@globefoodequip.com](mailto:info@globefoodequip.com)

Website: [www.globefoodequip.com](http://www.globefoodequip.com)

Not for resale



# Table of Contents

**Description**

**Page**

GCB48G Charbroiler Components

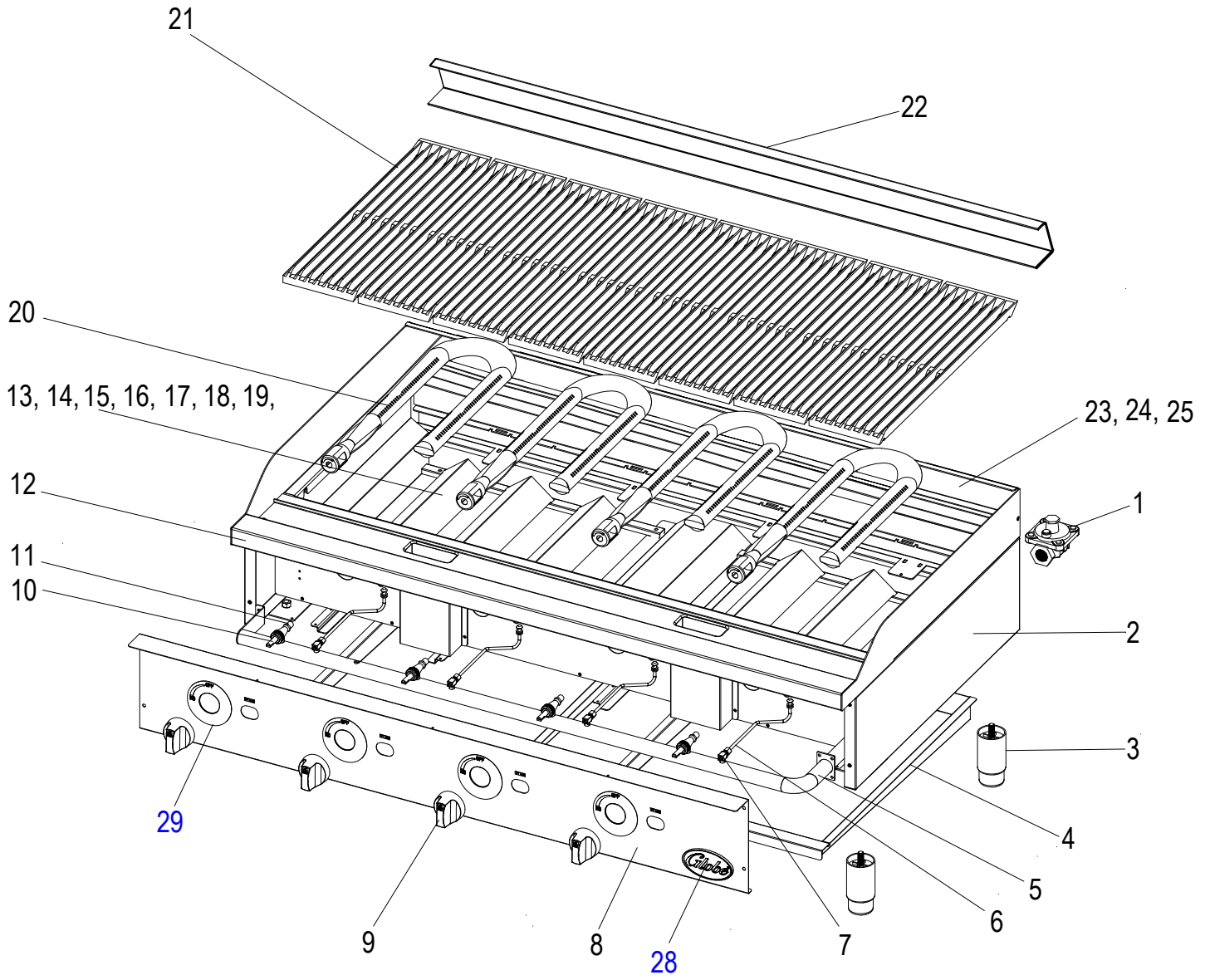
4

GCB48G Gas Orifice Elevation Chart

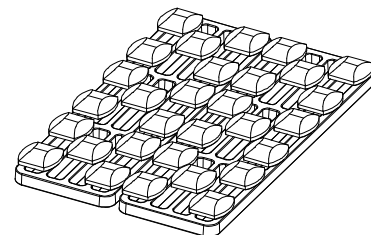
6



# GCB48G Charbroiler Components



**26**  
Char Radiant Kit - Gas





## GCB48G Charbroiler Components

Item	Part Number	Description	Qty	Serial Number
1	<a href="#">U01221069501</a>	Regulator	1	
2		Main Enclosure, Lower	1	
3	<a href="#">U01021005165</a>	Foot	4	
4	<a href="#">U01257</a>	Drip Tray	1	1716053573 ->
5		Manifold Assembly	1	
6	<a href="#">U01542</a>	Pilot Pipe	4	1714030101 ->
7	<a href="#">U01201068509</a>	Single Pilot Valve (AP7)	4	
8		Control Panel	1	
9	<a href="#">U01021005188</a>	Control Knob	4	
10	<a href="#">U01201068502</a>	Manual Control Valve (A18)	4	
11	<a href="#">U01201068636</a>	Hood Orifice #36	4	
11	<a href="#">U06051470847</a>	Hood Orifice #38	1	
11	<a href="#">U06051470877</a>	Hood Orifice #39	1	
11	<a href="#">U06051470907</a>	Hood Orifice #40	1	
11	<a href="#">U06051470937</a>	Hood Orifice #42	1	
11	<a href="#">U01201068649</a>	Hood Orifice #49	1	
11	<a href="#">U06051470832</a>	Hood Orifice #50	1	
11	<a href="#">U01201068651</a>	Hood Orifice #51	4	
12		Main Enclosure, Upper	1	
13	<a href="#">U01221</a>	Plate & Support Kit	1	Not Shown
14	<a href="#">U01215</a>	Support Bar	4	Not Shown
15	<a href="#">U01216</a>	Isolation Plate	6	
16	<a href="#">U01217</a>	Screw	8	Not Shown
17	<a href="#">U01488</a>	Burner Cover	4	Not Shown
18	U02044	Radiant Tent, Cast Iron	6	Equivalent to <a href="#">CHARCIRAD</a>
19	U02046	Radiant Tent, Stainless Steel	6	Equivalent to <a href="#">CHARSSRAD</a>
20	<a href="#">U06051470672</a>	"U" Shaped Burner	4	1714030101 ->
21	<a href="#">U01031015028</a>	Cooking Grate 6"	8	Equivalent to <a href="#">CHARGRATE6</a>
22	U01541	Panel, Grate Support	1	1714030101 ->
23		Isolating Plate Assembly	1	
24		Isolating Plate, Lower	1	
25		Panel, Burner Support	4	
26	U02045	Char Radiant Kit - Gas	1	Equivalent to <a href="#">CHARRADKIT</a>
27	<a href="#">U01021005186</a>	Ignition Bar	1	Not Shown
28	<a href="#">U01021005383</a>	Globe Badge	1	Not Shown
29	<a href="#">U04031317503</a>	Control Knob Overlay	1	Not Shown



## GCB48G Gas Orifice Elevation Chart

Model	Rated Input Per Burner (BTU/HR)	Elevation		Elevation	
		Nat	LP	Nat	LP
		0-2000 ft		2000 - 4000 ft	
		Nat	LP	Nat	LP
Char Broiler	40000	<a href="#">U01201068636 (#36)</a>	<a href="#">U01201068649 (#49)</a>	<a href="#">U06051470847 (#38)</a>	<a href="#">U06051470832 (#50)</a>
		Elevation		Elevation	
		4000 - 6000 ft		6000 - 8000 ft	
		Nat	LP	Nat	LP
Char Broiler	40000	<a href="#">U06051470877 (#39)</a>	<a href="#">U06051470832 (#50)</a>	<a href="#">U06051470907 (#40)</a>	<a href="#">U01201068651 (#51)</a>
		Elevation			
		8000 - 10000 ft			
		Nat	LP		
Char Broiler	40000	<a href="#">U06051470937 (#42)</a>	<a href="#">U01201068651 (#51)</a>		