

# Parts Catalog



**GCB36G**

## **Gas Cooking Equipment Charbroiler**

**Model: GCB36G**

8/07/2023 Rev B

IMPORTANT!

TO EXPEDITE SHIPMENT OF PARTS, ALWAYS SPECIFY MODEL, REV,  
PART NUMBER, AND SERIAL NUMBER OF UNIT.

### **GLOBE FOOD EQUIPMENT COMPANY**

2215 East River Road  
Dayton, Ohio 45439

#### **Parts Department**

Toll Free 1-800-745-6238 · Fax (937) 290-0585

E-Mail: [info@globefoodequip.com](mailto:info@globefoodequip.com)

Website: [www.globefoodequip.com](http://www.globefoodequip.com)

Not for resale



# Table of Contents

**Description**

**Page**

GCB36G Charbroiler Components

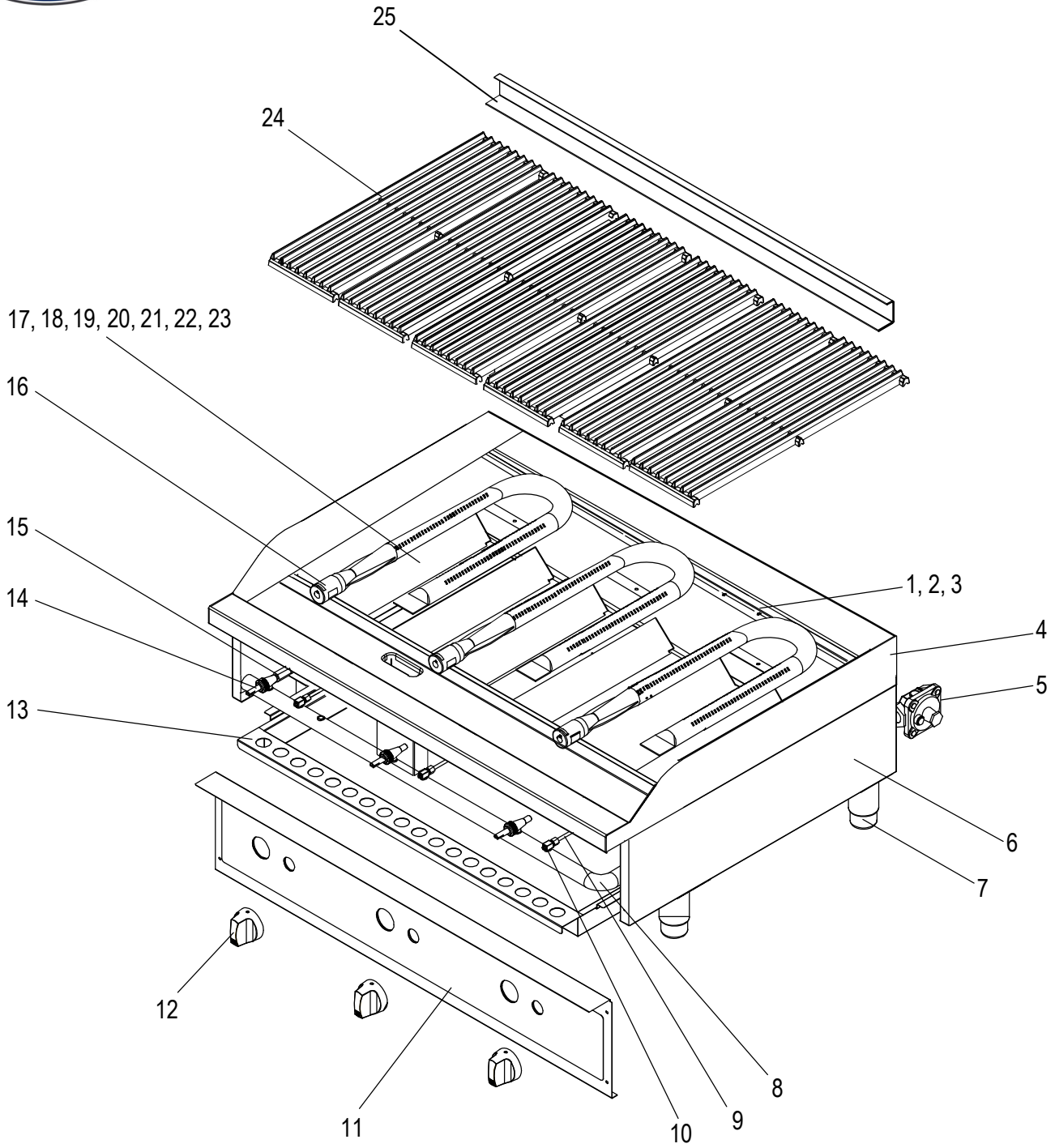
4

GCB36G Gas Orifice Elevation Chart

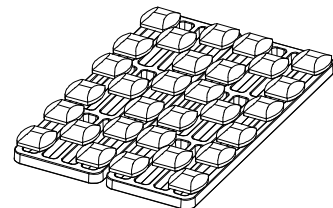
6



# GCB36G Charbroiler Components



**26**  
Char Radiant Kit - Gas





## GCB36G Charbroiler Components

Item	Part Number	Description	Qty	Serial Number	
1		Panel, Burner Support	3		
2		Isolating Plate, Lower	1		
3		Isolating Plate Assembly	1		
4		Main Enclosure, Upper	1		
5	<a href="#">U01221069501</a>	Regulator	1		
6		Main Enclosure, Lower	1		
7	<a href="#">U01021005165</a>	Foot	4		
8		Manifold Assembly	1		
9	<a href="#">U01542</a>	Pilot Pipe	Purchase with *	3	1714032161 ->
10	<a href="#">U01201068509</a>	Single Pilot Valve (AP7)	*	3	
11	<a href="#">U02808</a>	Front Panel	1		
12	<a href="#">U01021005188</a>	Control Knob	3		
13	<a href="#">U01258</a>	Drip Tray	1	1716053523 ->	
14	<a href="#">U01201068502</a>	Manual Control Valve (A18)	3		
15	<a href="#">U01201068636</a>	Hood Orifice #36	3		
15	<a href="#">U06051470847</a>	Hood Orifice #38	1		
15	<a href="#">U06051470877</a>	Hood Orifice #39	1		
15	<a href="#">U06051470907</a>	Hood Orifice #40	1		
15	<a href="#">U06051470937</a>	Hood Orifice #42	1		
15	<a href="#">U01201068649</a>	Hood Orifice #49	3		
15	<a href="#">U06051470832</a>	Hood Orifice #50	1		
15	<a href="#">U01201068651</a>	Hood Orifice #51	1		
16	<a href="#">U06051470672</a>	"U" Shaped Burner	3	1714032161 ->	
17	<a href="#">U01220</a>	Plate & Support Kit	Not Shown	1	
18	<a href="#">U01214</a>	Support Bar	Not Shown	2	
19	<a href="#">U01216</a>	Isolation Plate		6	
20	<a href="#">U01217</a>	Screw	Not Shown	4	
21	<a href="#">U01488</a>	Burner Cover	Not Shown	4	
22	U02044	Radiant Tent, Cast Iron	Equivalent to <a href="#">CHARCIRAD</a>	6	
23	U02046	Radiant Tent, Stainless Steel	Equivalent to <a href="#">CHARSSRAD</a>	6	
24	<a href="#">U01031015028</a>	Cooking Grate 6"	Equivalent to <a href="#">CHARGRATE6</a>	6	
25	U01540	Support		1	1714032161 ->
26	U02045	Char Radiant Kit - Gas	Equivalent to <a href="#">CHARRADKIT</a>	1	
27	<a href="#">U01021005186</a>	Ignition Bar	Not Shown	1	
28	<a href="#">U01021005383</a>	Globe Badge	Not Shown	1	
29	<a href="#">U04031317503</a>	Control Knob Overlay	Not Shown	1	



## GCB36G Gas Orifice Elevation Chart

Model	Rated Input Per Burner (BTU/HR)	Elevation		Elevation	
		Nat	LP	Nat	LP
		0-2000 ft		2000 - 4000 ft	
		Nat	LP	Nat	LP
Char Broiler	40000	<a href="#">U01201068636</a> (#36)	<a href="#">U01201068649</a> (#49)	<a href="#">U06051470847</a> (#38)	<a href="#">U06051470832</a> (#50)
		Elevation		Elevation	
		4000 - 6000 ft		6000 - 8000 ft	
		Nat	LP	Nat	LP
Char Broiler	40000	<a href="#">U06051470877</a> (# 39)	<a href="#">U06051470832</a> (#50)	<a href="#">U06051470907</a> (#40)	<a href="#">U01201068651</a> (#51)
		Elevation			
		8000 - 10000 ft			
		Nat	LP		
Char Broiler	40000	<a href="#">U06051470937</a> (#42)	<a href="#">U01201068651</a> (#51)		