

Parts Catalog



GC512

Slicing Machine

Model: GC512

05/22/2023N Rev D, Serial Number 541250, 542986-545574 & Up

IMPORTANT!

TO EXPEDITE SHIPMENT OF PARTS, ALWAYS SPECIFY MODEL, REV,
PART NUMBER, AND SERIAL NUMBER OF UNIT.

GLOBE FOOD EQUIPMENT COMPANY

2215 East River Road
Dayton, Ohio 45439

Parts Department

Toll Free 1-800-745-6238 · Fax (937) 290-0585

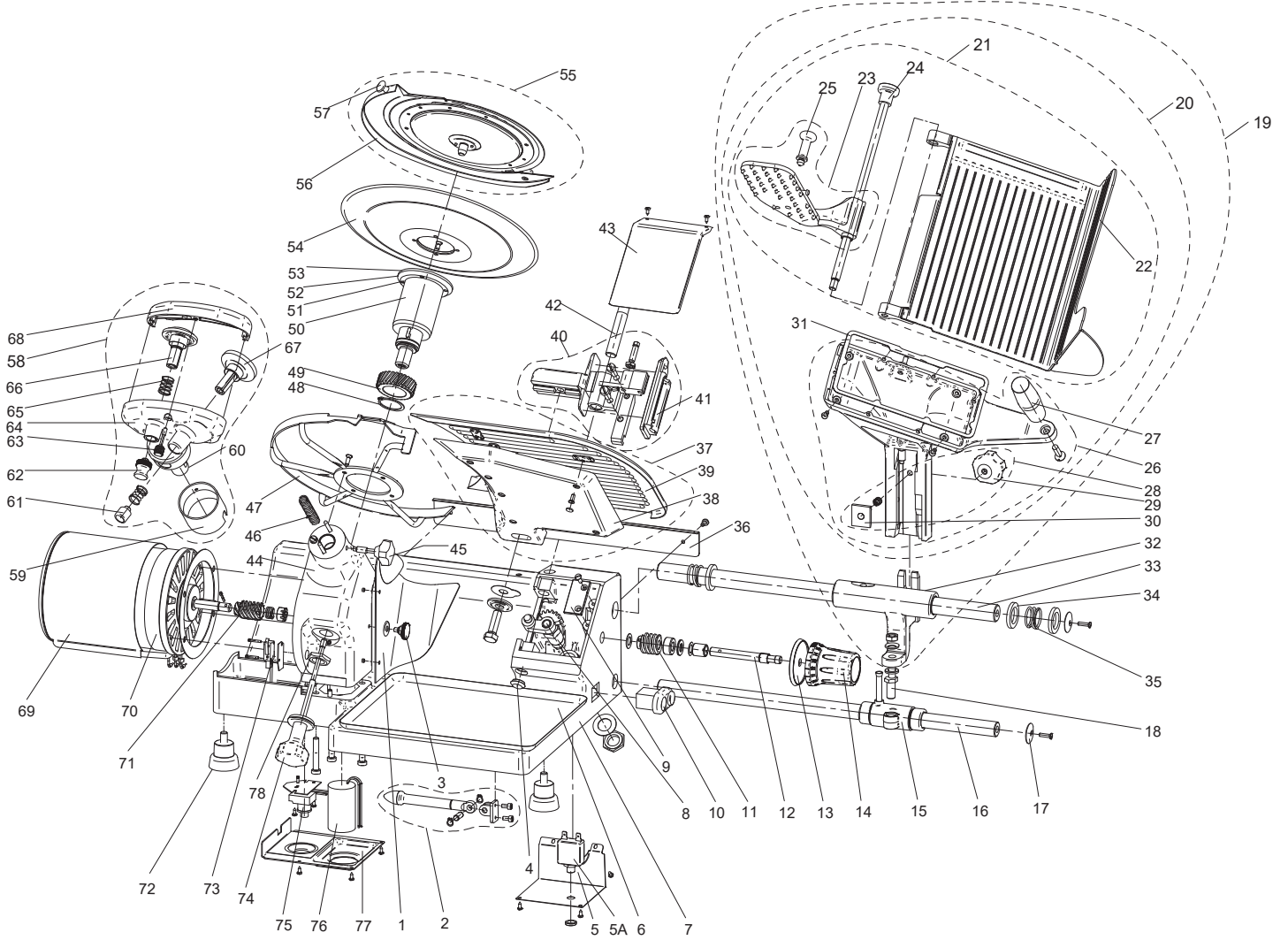
E-Mail: info@globefoodequip.com

Website: www.globefoodequip.com

Not for resale

Table of Contents

Description	Page
GC512 Slicer Components	4
GC512 Wiring Diagram	8





GC512 Slicer Components

Item	Part Number	Description	Qty	Serial Number
1	A035	Slice Deflector	1	
2	A00735	Tilt Mechanism	1	541250 ->
3	A01087	Thumb Screw	1	
4	A00736	Table Slide Shaft Cover	1	
5	A00737	Cover Plate (Not Shown)	1	541250 - 545574
5	A01997	Cover Plate	1	545575 ->
5A	A01994	Reset Switch	1	545575 ->
6	A001	Receiving Tray	1	
7		Slicer Base	1	
8	A130	Table Gear Assembly	1	
9	A122A	Table Slide Guide	1	
10	A00739	ON/OFF Switch w/Cover	1	
11	A116	Nylon Worm Gear	1	
12	A114	Shaft	1	
13	A00741	Gasket	1	541250 ->
14	A00742	Table Adjustment Knob	1	541250 ->
15	A170	Lower Slide Bushing	1	
16	A104A	Lower Slide Rod	1	
17	A106	Washer	4	
18	A162	Stud	1	
19	A01875	Bushing and Chute Kit (Incls. items 20-30)	1	
20	A01091	Complete Chute Assembly (Incls. item 21-30)	1	
21	A420A	Chute Assembly (Incls. items 22-25)	1	
22		Chute	1	
23	A450	End Weight Assembly	1	
24	A00753	End Weight Rod	1	
25	A451	End Weight Handle	1	
26	A01090	Chute Support (Incls. items 27-30)	1	542986, 543195 ->
27	A413	Chute Handle	1	
28	A222	Chute Support Knob (Incls. items 29-30)	1	
29		Support Knob	1	
30		Plate & Stud Assembly	1	
31	A00751	Gasket	1	
32	A01088	Upper Slide Assembly	1	
33	A103A	Upper Slide Rod	1	
34	A00744	Bumper	3	
35	A166	Spring	2	
36	A006	Slide Cover Plate	1	
37	A020	Table Assembly (Incls. items 38-39)	1	
38	A021	Table Support	1	
39		Table	1	
40	A00756	Table Slide Assembly (Incls. item 41)	1	541250 ->
41	A00757	Gasket	1	541250 ->
42	A00758	Table Slide Shaft	1	
43	A00759	Cover	1	541250 ->
44	A2210	Gear Housing	1	
45	A220	Sharpener Lock Knob	1	
46	A208	Spring	1	
47	A225	Rim Guard	1	
48	AN68	Retaining Clip	1	
49	A293	Nylon Gear	1	
50	A290	Knife Hub Assembly	1	
51	A299	Shim	1	



GC512 Slicer Components

Item	Part Number	Description	Qty	Serial Number
52	A295	O-Ring	1	
53	AN47	Key	1	
54	A281	Knife	1	
55	A245	Knife Cover (Incls. items 56-57)	1	
56		Cover, Knife	1	
57	A249	Knob	2	
58	A2300	Sharpening Assembly (Incls. items 59-68)	1	
59	A306	Dust Cover	1	
60	A2304	Base	1	
61	A303	Honing Stone Knob	1	
62	A301	Grinding Stone Knob	1	
63	A312	Thumbscrew	1	
64	A311	Sharpener Housing	1	
65	A302	Spring	1	
66	A330	Honing Stone Assembly	1	
67	A320	Grinding Stone Assembly	1	
68	A315	Sharpener Cover	1	
69	A270A	Motor Cover	1	
70	A260	Motor (115V/60Hz/4.8A)	1	
71	A264	Worm Gear	1	
72	A040A	Foot (4/Set)	4	
73	A215	Microswitch	1	
74	A230	Knife Cover Release Knob	1	
75	APR-5	Relay	1	
76	AKER	Capacitor	1	
77	A011	Rear Cover Plate	1	
78	A02011	Nut	1	
79	A207	Pusher (Not Shown)	1	
80	A214	Sleeve, Pusher (Not Shown)	1	
81	132-3	Power Cord (Not Shown)	1	
82	A405	Finger Guard (Not Shown)	1	



INTENTIONALLY LEFT BLANK PAGE



GC512 Wiring Diagram

