

# Parts Catalog



**G14E-220-240501**

## Slicing Machine

**Model: G14E-220-240501**

5/22/2023 Rev A

IMPORTANT!

TO EXPEDITE SHIPMENT OF PARTS, ALWAYS SPECIFY MODEL, REV,  
PART NUMBER, AND SERIAL NUMBER OF UNIT.

## **GLOBE FOOD EQUIPMENT COMPANY**

2215 East River Road  
Dayton, Ohio 45439

### **Parts Department**

Toll Free 1-800-745-6238 · Fax (937) 290-0585

E-Mail: [info@globefoodequip.com](mailto:info@globefoodequip.com)

Website: [www.globefoodequip.com](http://www.globefoodequip.com)

Not for resale

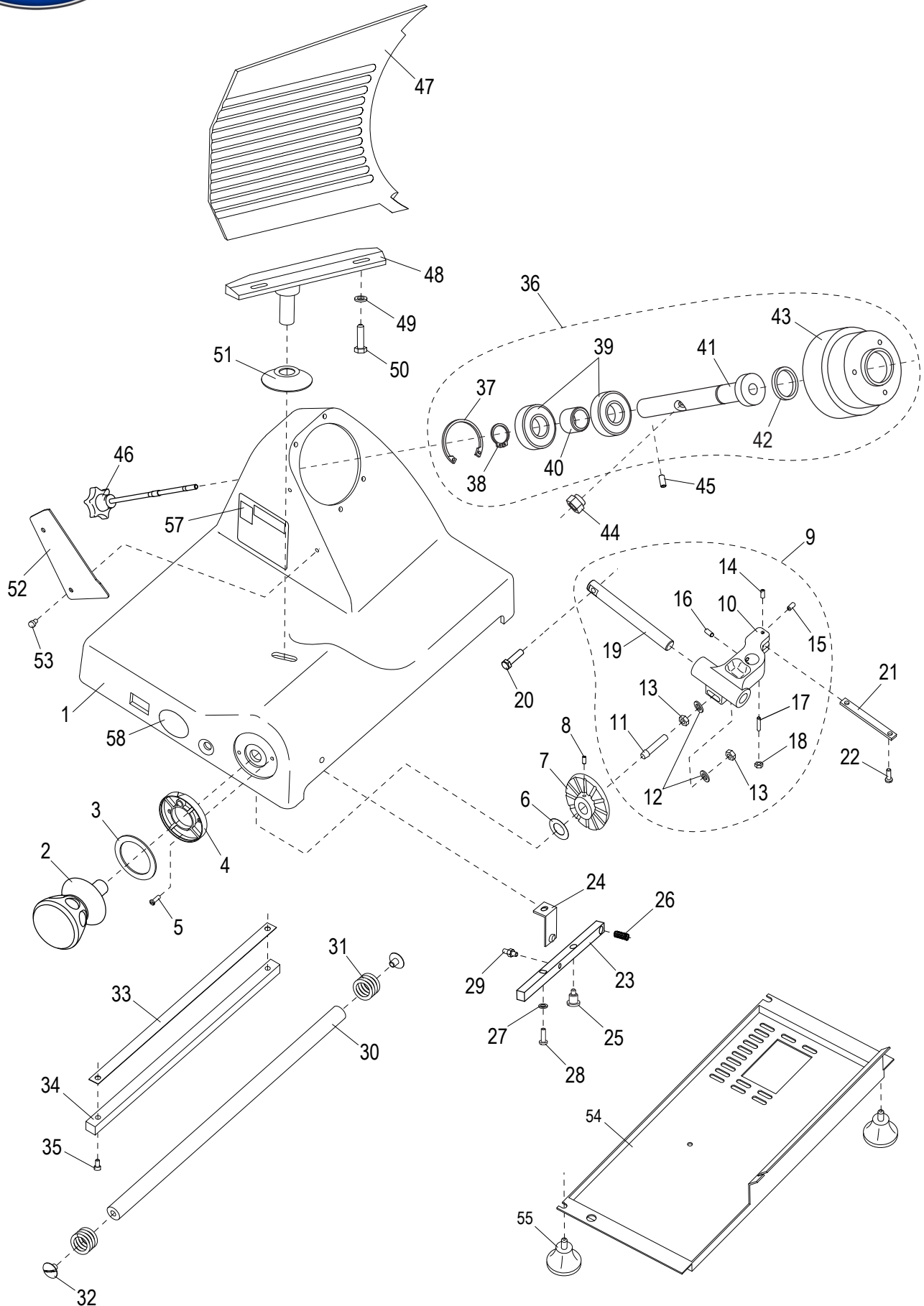


# Table of Contents

Description	Page
G14E Base Components	4
G14E Chute Components	8
G14E Knife and Sharpener Components	10
G14E Electrical Components	12
G14E Wiring Diagram - 220V, 50 HZ, 1PH	14



# G14E Base Components





## G14E Base Components

Item	Part Number	Description	Qty	Serial Number
1		Slicer Base	1	
2	M00234	Table Adjustment Knob	1	
3	M00300	Washer	1	
4	M00301	Ferrule	1	
5	H00189	Cheese Hd Screw M4-0.7x10 Slotted - Zn	2	
6	M003	Wave Washer	1	
7	M00235	Cam	1	
8	H00181	Set Screw	2	
9	M305	Table Slide Assembly (Incls. items 10-19)	1	
10		Table Slide	1	
11	M03026	Threaded Rod	1	
12	X08101	Washer M8x16mm Flat	2	
13	H00192	Hex Nut M8-1.25,13mm Width,4 mm Height-Zn	2	
14	H00182	Set Screw M5x10 Flat Pt Slotted - Zn	1	
15	H00185	Set Screw	1	
16	H00186	Set Screw M8-1.25x10 Cup Pt. Hex Socket - BO	2	
17	H00188	Set Screw	1	
18	X30186	Hex Nut M5-0.8 OD-8, TH-4mm, Zinc	1	
19	MR36	Table Slide Rod	1	
20	H00116	Hex Head Screw M6-1.0x20 - Zn	2	
21	M016	Table Slide Plate	1	
22	H00061	Hex Head Screw M5x10, Zinc	2	
23	M00313	Release Lever	1	
24	M00296	Release Lever Bracket	1	
25	M02473	Screw	1	
26	M00298	Spring	1	
27	H00063	Flat Washer, M5, Zinc	1	
28	H00187	Cheese Hd Screw M5-0.8x16 Slotted - Zn	1	
29	M00292	Thread Rod	1	
30	M00242	Round Slide Rod	1	
31	M00243	Spring	2	
32	ME25	Screw	2	
33	ME31/1	Wear Strip	1	
34	M00244	Square Slide Bar	1	
35	H00056	Screw	2	
36	MS12/2A	Knife Hub Assembly (Incls. items 37-42)	1	
37		Retaining Ring, Internal	1	
38	H00195	Retaining Ring, External	1	
39	M020	Bearing (6204 6RS)	2	
40	M00249	Spacer	1	
41		Shaft, Knife Hub	1	
42		Oil Seal	1	
43		Pulley, Knife Hub	1	
44	MCR61	Knife Hub Nut	1	
45	H00184	Set Screw	1	
46	M00250	Knife Cover Release Knob	1	
47	M00304	Table	1	
48	M00252	Table Support	1	
49	X08101	Washer M8x16mm Flat	2	
50	H00196	Screw	2	
51	M00646	Hole Cover	1	
52	MS22	Slice Deflector	1	
53	MCC23	Thumb Screw	2	



## G14E Base Components

---

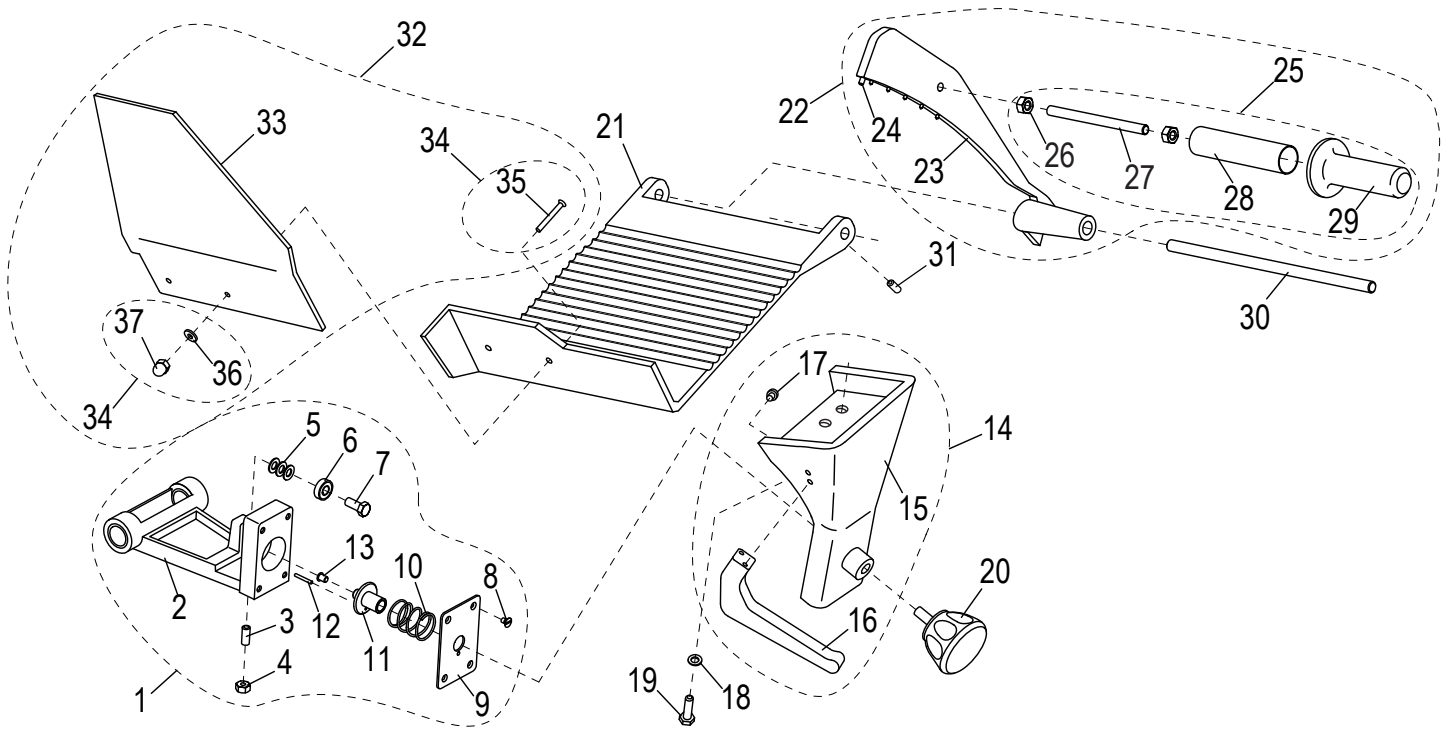
Item	Part Number	Description	Qty	Serial Number
54	MS64	Bottom Cover	1	
55	H00063	Flat Washer, M5, Zinc	1	
56	M91022	Warning Label (Not Shown)	1	
57	82-F	French Warning Label (Not Shown)	1	
58	M91021	Globe Logo	1	
59	M00245	Hub Seal (Not Shown)	1	



*INTENTIONALLY LEFT BLANK PAGE*



# G14E Chute Components



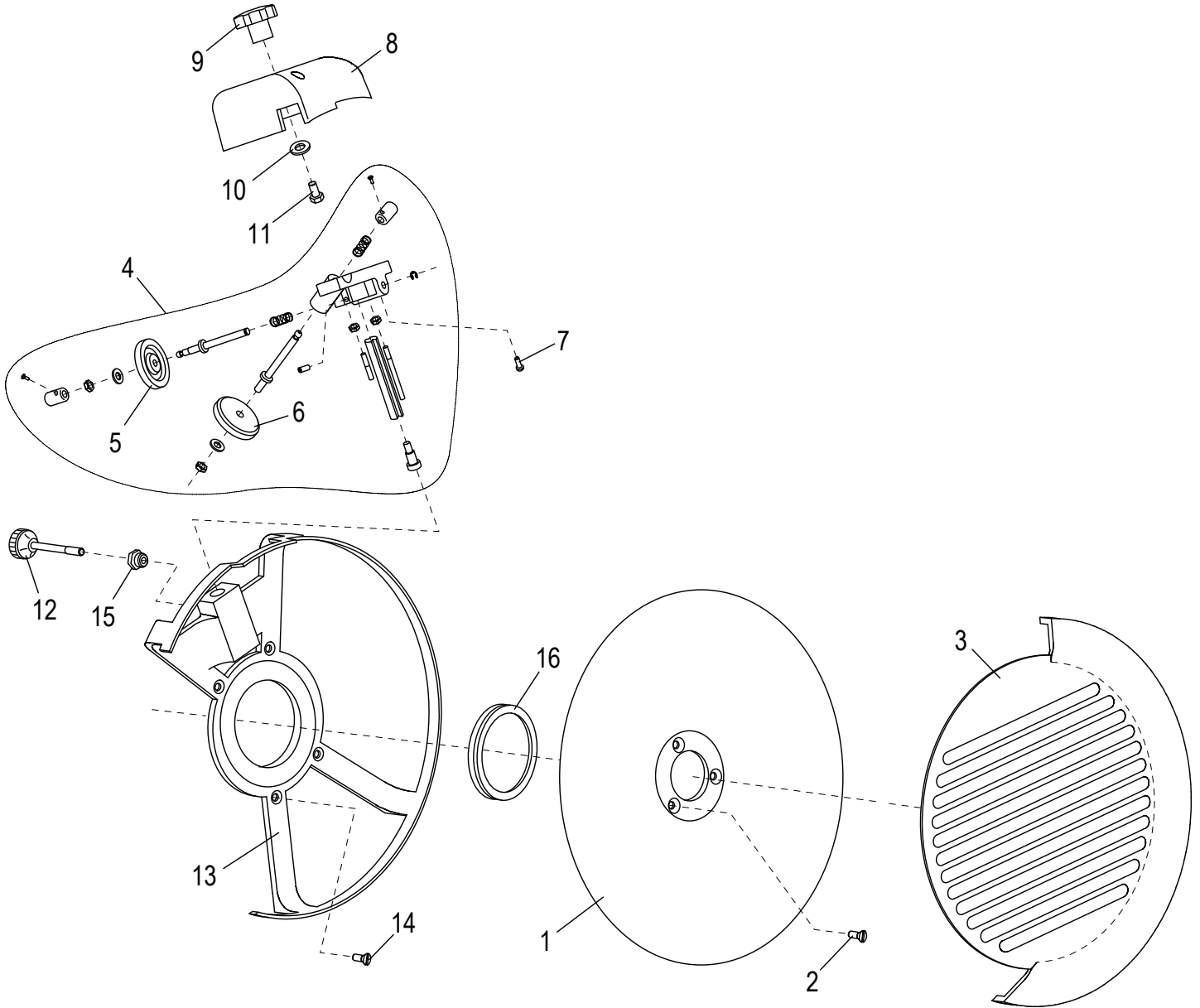


## G14E Chute Components

Item	Part Number	Description	Qty	Serial Number
1	M00314	Chute Slide Assembly (Incls. items 2-13)	1	
2		Chute Slide	1	
3	MS30	Brass Stud	1	
4	H00192	Hex Nut M8-1.25,13mm Width,4 mm Height-Zn	1	
5	X08101	Washer M8x16mm Flat	3	
6	M056	Bearing (608 2RS)	1	
7	H00117	Hex Head Screw M8x20 - Zn	1	
8	H00309	Screw	4	
9	M00175	Release Plate	1	
10	M00174	Spring	1	
11	M00173	Internal Release	1	
12	M00307	Threaded Rod	1	
13	M00308	Release Cap	1	
14	M00176	Chute Support Assembly (Incls. items 15-17)	1	
15		Chute Support	1	
16	M067	Chute Support Handle	1	
17	H00156	Ext. Hex Hd M6x1.0x12 mm Screw Zinc 8.8	2	
18	X08101	Washer M8x16mm Flat	2	
19	H00117	Hex Head Screw M8x20 - Zn	2	
20	M00312	Chute Support Knob	1	
21	M00177	Chute	1	
22	M00391	End Weight Assembly	1	
23		End Weight	1	
24	MC39	Bumper	1	
25	M00342	End Weight Handle Kit (Incls. items 26-29)	1	
26	H00341	Nut	2	
27		Threaded Rod	1	
28		Spacer	1	
29		End Weight Handle	1	
30	M00178	End Weight Rod	1	
31	H00199	Set Screw	1	
32	M00169	Hand Guard Kit (Incls. items 33-37)	1	
33		Hand Guard	1	
34	M00651	Hardware Kit	1	
35		Hand Guard Mounting Screw	2	
36		Hand Guard Washer	2	
37		Hand Guard Nut	2	



# G14E Knife and Sharpener Components





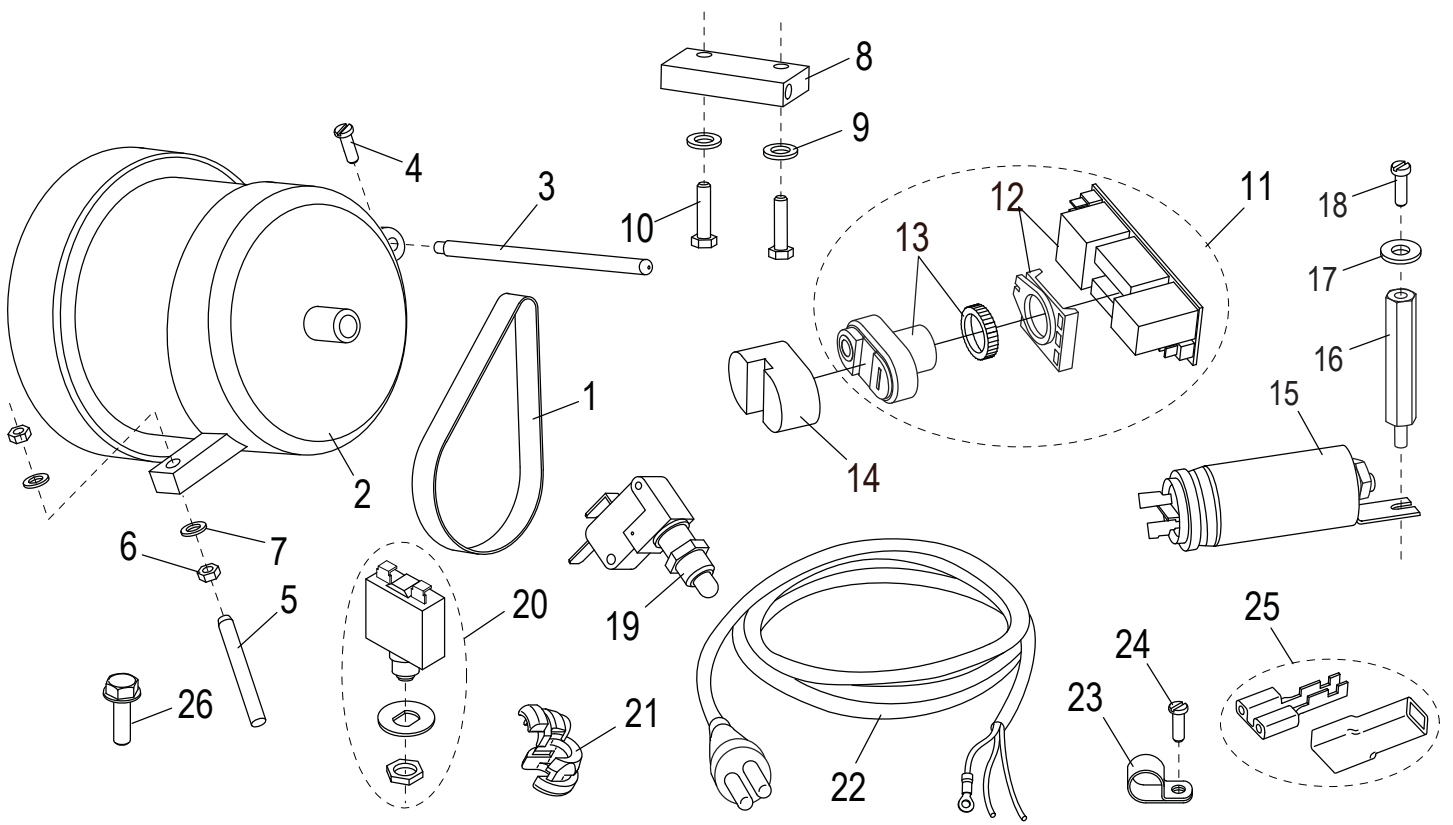
## G14E Knife and Sharpener Components

---

Item	Part Number	Description	Qty	Serial Number
1	M00262	Knife	1	
2	H00201	Screw	3	
3	M00332	Knife Cover	1	
4	MC17A	Sharpener Assembly (Incls. items 5-6)	1	
5	M092	Deburring Stone	1	
6	MCC17	Sharpening Stone	1	
7	H00187	Cheese Hd Screw M5-0.8x16 Slotted - Zn	2	
8	M074	Sharpener Cover	1	
9	M075	Sharpener Cover Knob	1	
10	M035	Flat Washer ID 6.5 OD 12 TH 1.5 mm Zinc	1	
11	H00197	Hex Hd Screw M6x15 - Zn	1	
12	M096	Sharpener Release Knob	1	
13	MS14/1	Rim Guard	1	
14	H00435	Screw	4	
15	M00281	Insert	1	
16	MS77/5	Knife Seal	1	



# G14E Electrical Components





## G14E Electrical Components

Item	Part Number	Description	Qty	Serial Number
1	MS51	Belt	1	
2	M02485	Motor (230V/50 HZ)	1	
3	M031	Pin	1	
4	H00189	Cheese Hd Screw M4-0.7x10 Slotted - Zn	1	
5	M033	Threaded Rod	1	
6	M034	Hex Nut M6x1.0 OD 10 mm TH 5 mm Zinc	2	
7	M035	Flat Washer ID 6.5 OD 12 TH 1.5 mm Zinc	2	
8	M00356	Mounting Block	1	
9	H00063	Flat Washer, M5, Zinc	2	
10	H00357	Screw	2	
11	M02557	Power Switch Assembly	1	
12	M00351	Electrical Card	1	
13	M00350	Power Switch	1	
14	M00349	Power Switch Cover	1	
15	M02487	Capacitor	1	
16	M00361	Standoff	1	
17	M035	Flat Washer ID 6.5 OD 12 TH 1.5 mm Zinc	1	
18	H00061	Hex Head Screw M5x10, Zinc	1	
19	M026	Microswitch	1	
20	MK7004	Reset Switch	1	
21	M111	Strain Relief	1	
22	M02478	Power Cord	1	
23	M03023	Cable Clamp	1	
24	H00061	Hex Head Screw M5x10, Zinc	1	
25	M00233	Terminal & Insulator	12	
26	M00334	Ground Screw	1	



# G14E Wiring Diagram - 220V, 50 HZ, 1PH

